



US00D949216S

(12) **United States Design Patent**  
**Cheng**

(10) **Patent No.:** **US D949,216 S**

(45) **Date of Patent:** **\*\* Apr. 19, 2022**

(54) **KEY CUTTING MACHINE**

(56) **References Cited**

(71) Applicant: **Hunan Sempuluo Technology Co., Ltd,**  
Hunan (CN)

U.S. PATENT DOCUMENTS

(72) Inventor: **Hui Cheng,** Hunan (CN)

4,687,389 A \* 8/1987 Santii ..... B23C 3/35  
409/81

(73) Assignee: **Hunan Kukai Electromechanical Co., Ltd,**  
Hunan (CN)

D330,032 S \* 10/1992 Cromer ..... D15/127

D441,379 S \* 5/2001 Kanat ..... D15/127

6,839,449 B1 \* 1/2005 Campbell ..... G06K 9/2036  
382/100

(\*\*) Term: **15 Years**

7,077,607 B2 \* 7/2006 Foscan ..... B23B 31/028  
279/156

(21) Appl. No.: **29/682,339**

D604,344 S \* 11/2009 Weingart ..... D15/124

D755,862 S \* 5/2016 Lee ..... D15/127

(22) Filed: **Mar. 4, 2019**

D869,267 S \* 12/2019 Ju ..... D8/499

D874,016 S \* 1/2020 Figueredo ..... D24/216

(30) **Foreign Application Priority Data**

2006/0051173 A1 \* 3/2006 Foscan ..... B23C 3/35  
409/81

Sep. 6, 2018 (CN) ..... 201830498992.4

2012/0243957 A1 \* 9/2012 Drake ..... B23C 3/35  
409/81

(51) **LOC (13) Cl.** ..... **15-09**

2016/0188937 A1 \* 6/2016 Tyrrell ..... G01N 35/0029  
382/128

(52) **U.S. Cl.**

2018/0071838 A1 \* 3/2018 Gerlings ..... B23C 3/355

2020/0047261 A1 \* 2/2020 Tome' ..... B23C 3/35

USPC ..... **D15/127**

\* cited by examiner

(58) **Field of Classification Search**

*Primary Examiner* — Nathaniel D. Buckner

USPC ..... D15/127; D8/499

(57) **CLAIM**

The ornamental design for a key cutting machine, as shown and described.

CPC ... B23C 3/35; B23C 2235/12; B23C 2235/41;

B23C 2235/28; B23C 2235/04; B23C

2235/08; B23C 2235/16; B23C 2235/21;

B23C 2235/32; B23C 2235/48; Y10T

409/300952; Y10T 409/301008; Y10T

409/301624; Y10T 409/301064; Y10T

409/301112; Y10T 409/304088; Y10T

409/308624; Y10T 409/309408; Y10T

279/3487; Y10T 408/957; Y10T 70/7842;

G06K 9/00; G06K 9/2036; G06K 9/48;

G06K 9/00704; G06K 9/00818; G06K

9/6288; G06K 2209/19; G06K 2209/401;

G06K 7/1413

**DESCRIPTION**

FIG. 1 is a perspective view of a key cutting machine, showing my new design.

FIG. 2 is a front view thereof.

FIG. 3 is a rear view thereof.

FIG. 4 is a left view thereof.

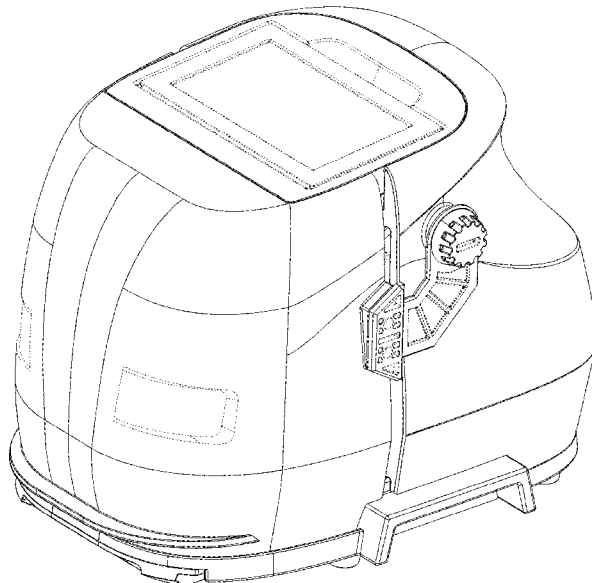
FIG. 5 is a right view thereof; and,

FIG. 6 is a top view thereof.

The broken lines in the figures depict portions of the article which form no part of the claimed design.

See application file for complete search history.

**1 Claim, 6 Drawing Sheets**



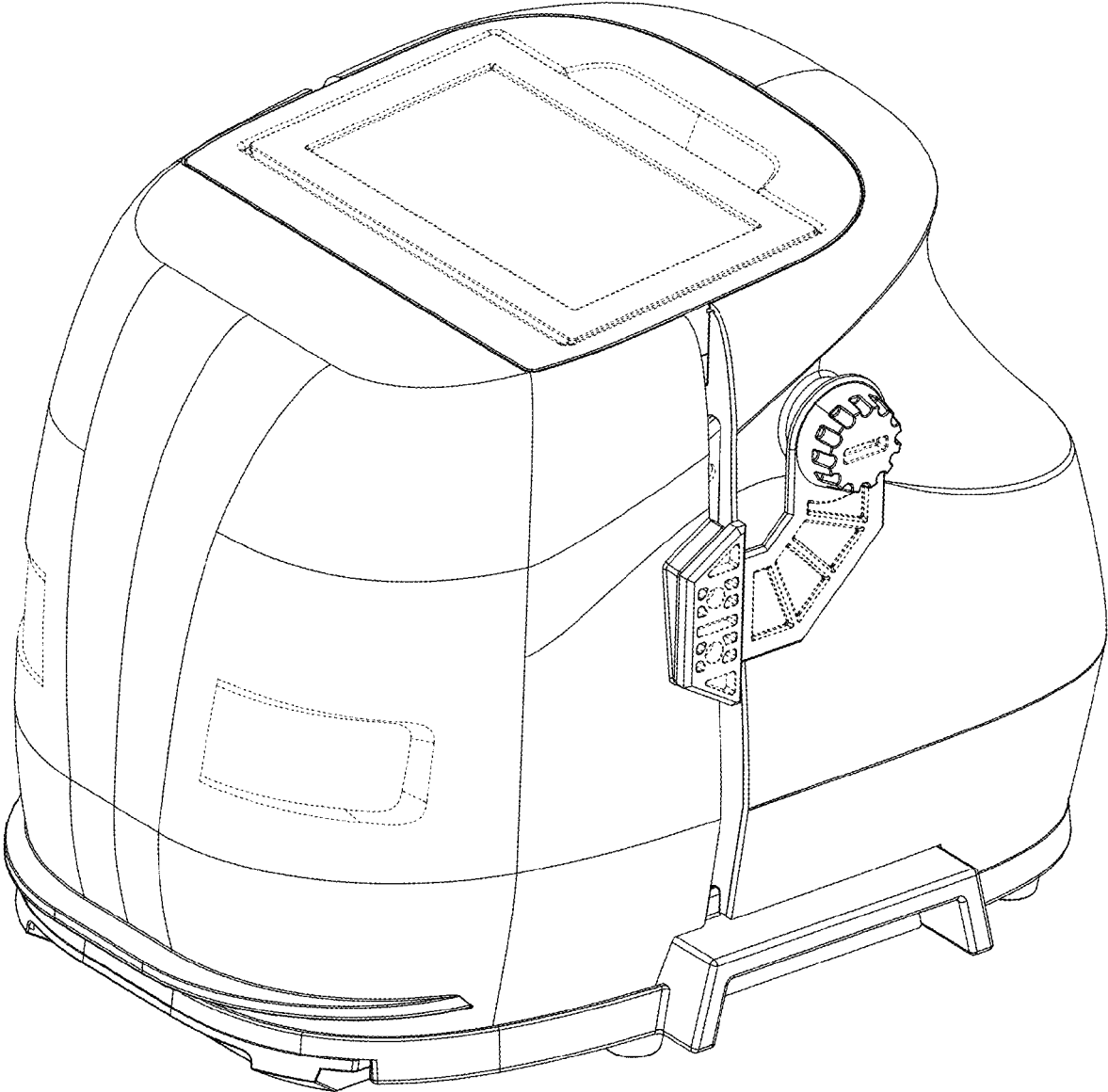


Fig. 1

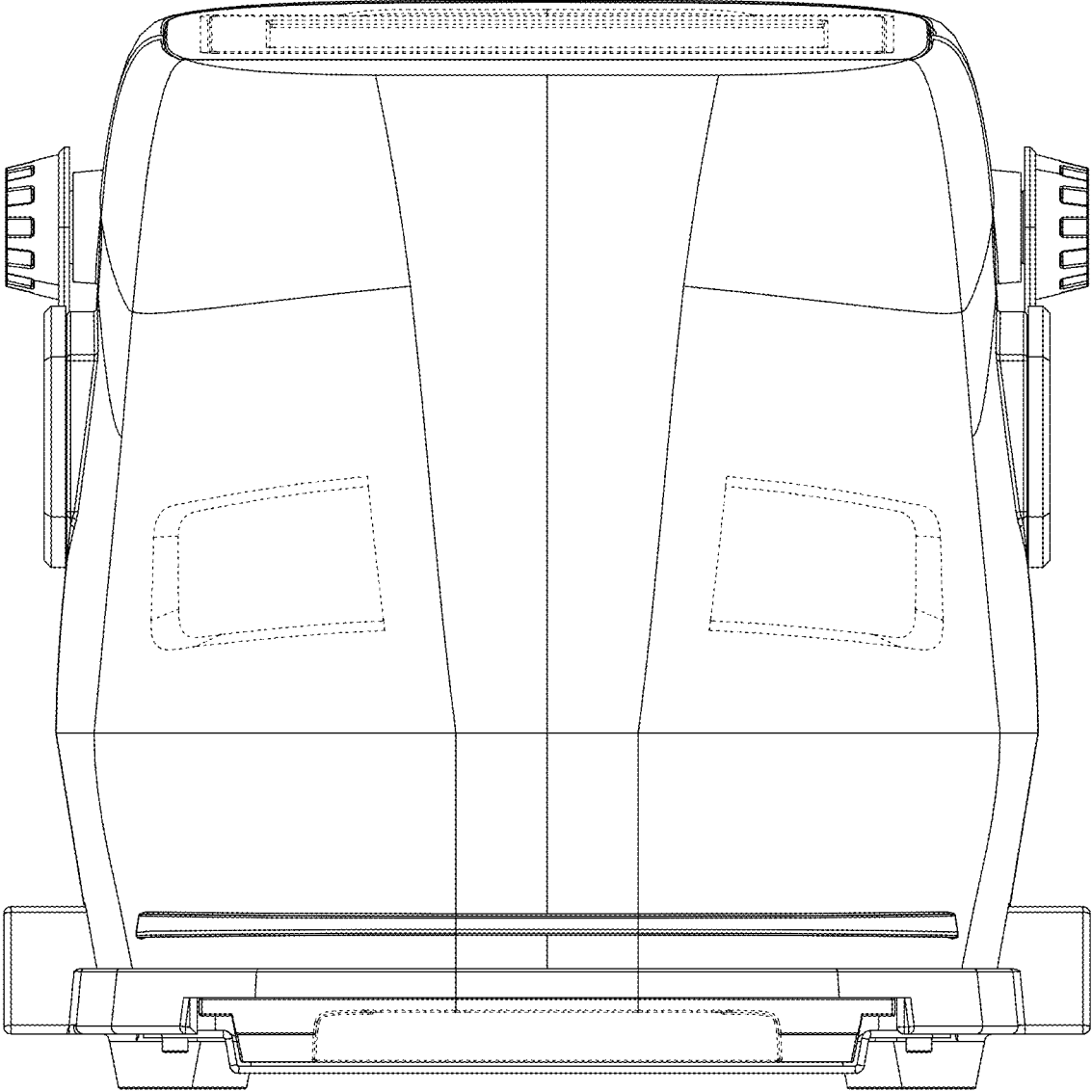


Fig. 2

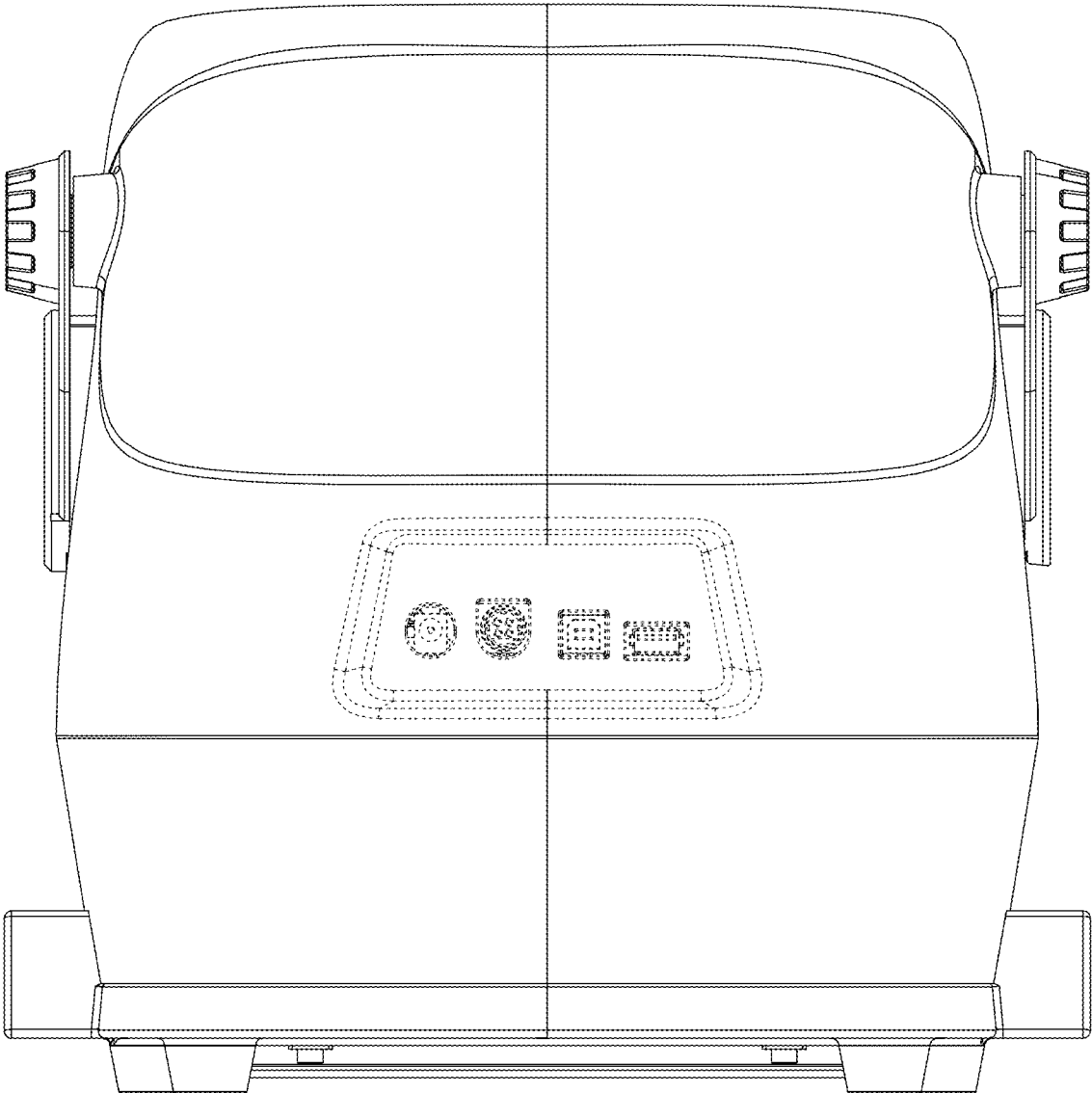


Fig. 3

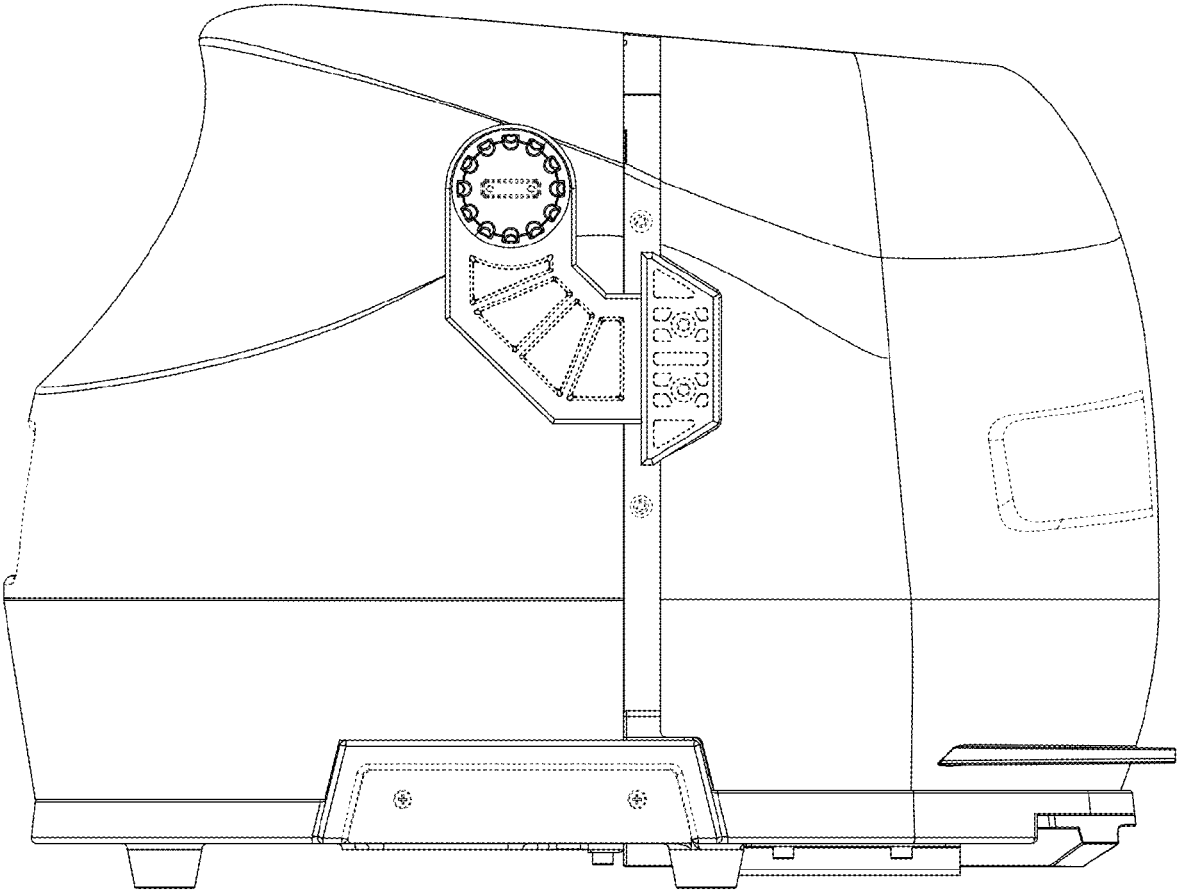


Fig. 4

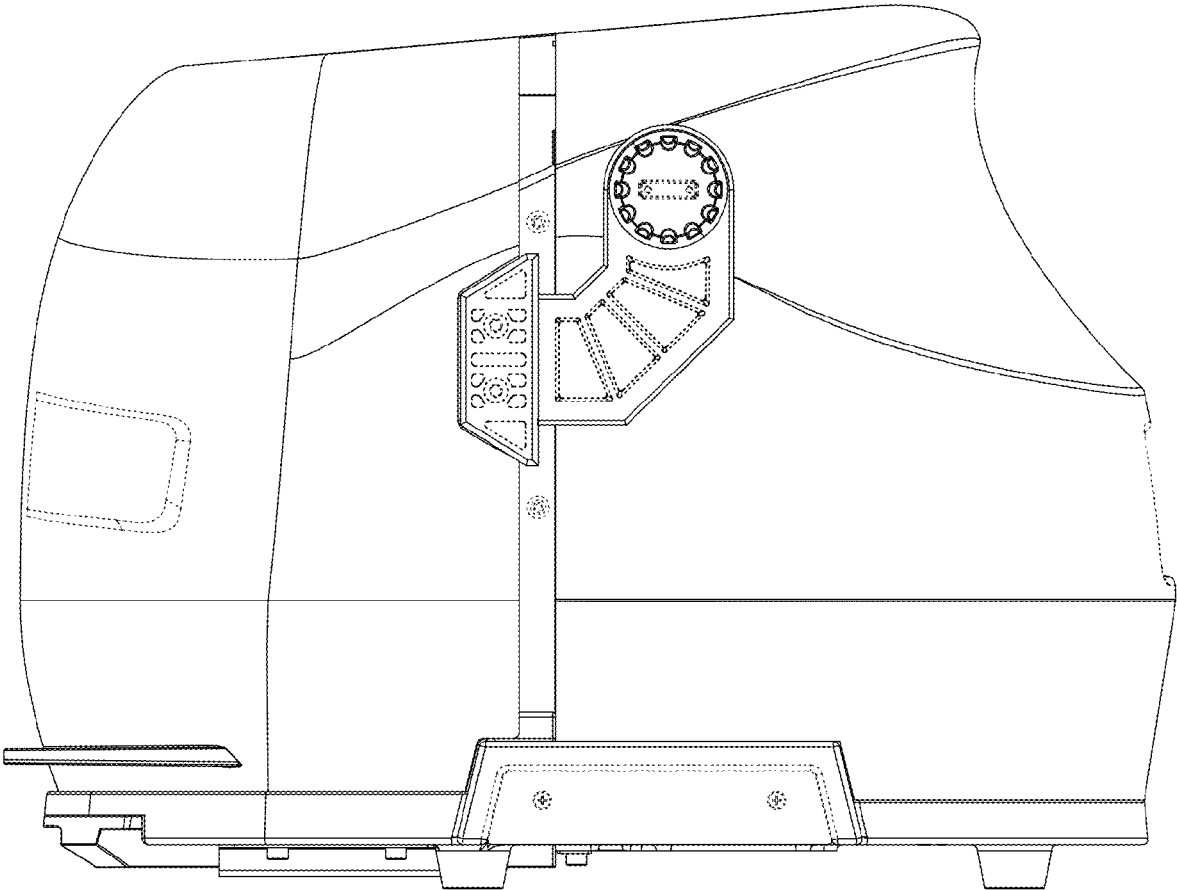


Fig. 5

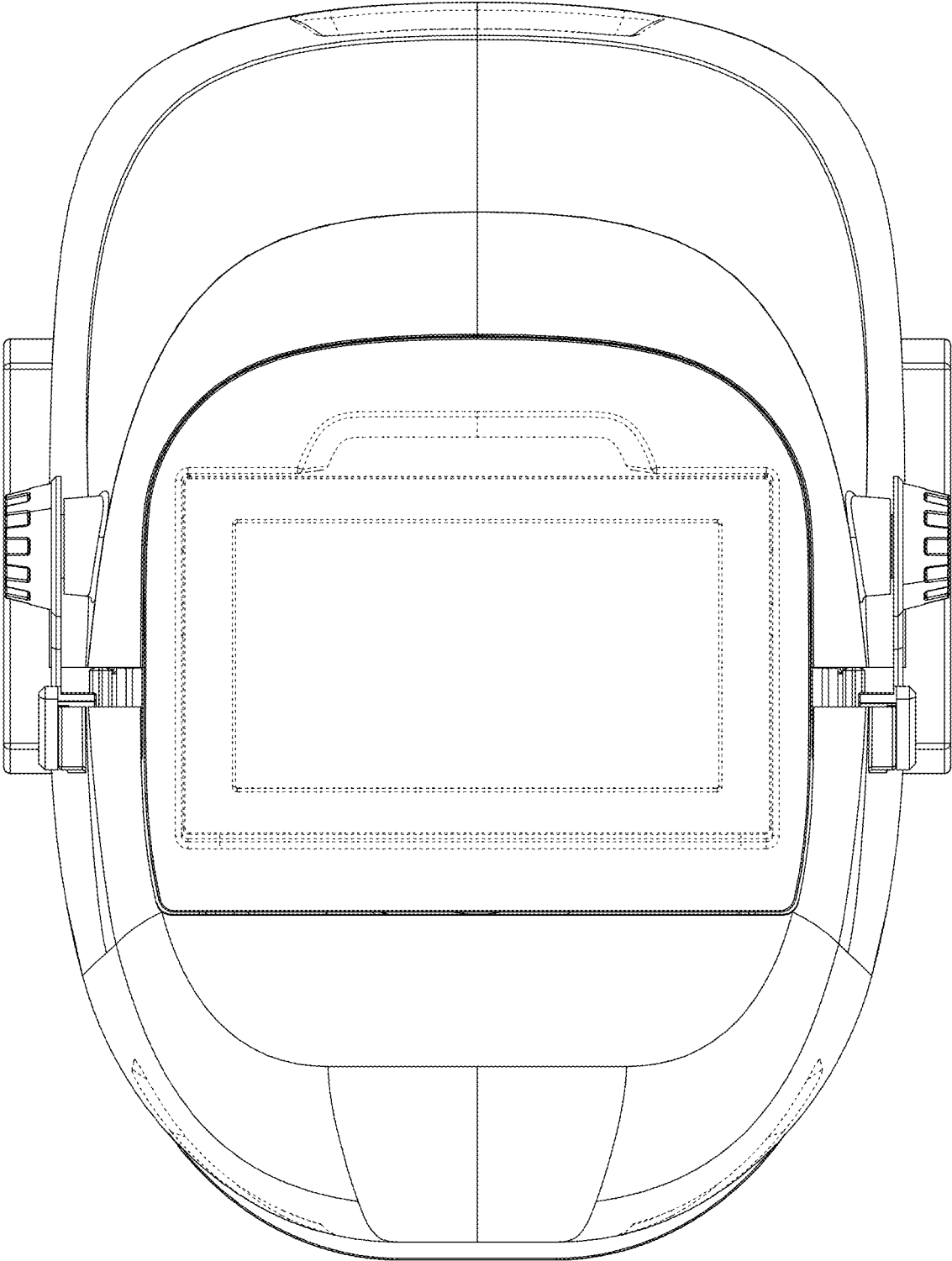


Fig. 6