



(12) **United States Design Patent** (10) **Patent No.:** **US D927,551 S**
Hudnall et al. (45) **Date of Patent:** **** Aug. 10, 2021**

(54) **ADAPTER** 4,802,902 A 2/1989 Bauerle et al.
 4,826,411 A 5/1989 Gaeth
 4,929,260 A 5/1990 Bauerle
 (71) Applicant: **Holley Performance Products, Inc.,** D371,138 S * 6/1996 Waskiewicz 384/428
 Bowling Green, KY (US) D565,118 S * 3/2008 Luehne D20/99
 D574,852 S 8/2008 Grant
 (72) Inventors: **Coy Hudnall**, Bowling Green, KY 7,533,661 B2 5/2009 Baasch
 (US); **Kevin Tracy**, Port Charlotte, FL D605,998 S * 12/2009 McEwen D12/207
 (US) D654,094 S 2/2012 Dralle
 (Continued)

(73) Assignee: **Holley Performance Products, Inc.,**
 Bowling Green, KY (US)

(**) Term: **15 Years**

(21) Appl. No.: **29/597,917**

(22) Filed: **Mar. 21, 2017**

(51) **LOC (13) Cl.** **15-01**

(52) **U.S. Cl.**
 USPC **D15/5; D8/382**

(58) **Field of Classification Search**
 USPC D15/3, 5; D8/382, 396; D23/266, 263,
 D23/262
 CPC B60K 13/06; F02M 35/10354; F02M
 21/0281; F02M 35/1034; F02M
 35/10347; F02M 35/10032; F02M
 35/10019; F02M 35/10078; F02M
 35/10085; F02M 35/10091; F02D
 2007/025; F02D 2009/0206; F02D
 2009/0255; F02D 2009/0298; F02D
 2009/0205; F02D 2009/0254; F02D
 2009/0276; F02D 2009/0283; F02D
 2200/0404; F02D 9/08; F02D 19/0618;
 F02D 41/004; F02B 2031/003
 See application file for complete search history.

(56) **References Cited**

U.S. PATENT DOCUMENTS

2,854,278 A * 9/1958 Zerhan, Jr. B60K 13/06
 293/113
 4,681,178 A 7/1987 Brown

FOREIGN PATENT DOCUMENTS

AU 201910220 3/2019
 AU 201911579 4/2019

(Continued)

OTHER PUBLICATIONS

Design U.S. Appl. No. 29/599,276 entitled "Air Intake Housing"
 filed Mar. 31, 2017.

(Continued)

Primary Examiner — Sandra Snapp
Assistant Examiner — Ieisha N Price
 (74) *Attorney, Agent, or Firm* — Middleton Reutlinger

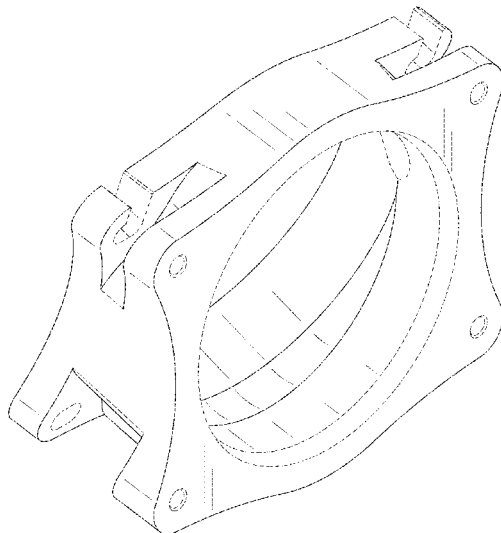
(57) **CLAIM**

The ornamental design for an adapter, as shown and described.

DESCRIPTION

FIG. 1 is a perspective view of an adapter;
 FIG. 2 is a front view of the adapter of FIG. 1;
 FIG. 3 is a rear view of the adapter of FIG. 1;
 FIG. 4 is a right side of the adapter of FIG. 1;
 FIG. 5 is a left side of the adapter of FIG. 1;
 FIG. 6 is a top view of the adapter of FIG. 1; and,
 FIG. 7 is a bottom view of the adapter of FIG. 1.
 The broken lines in the drawings illustrate portions of the
 adapter and form no part of the claimed design.

1 Claim, 7 Drawing Sheets



(56)

References Cited

U.S. PATENT DOCUMENTS

8,453,617 B1 * 6/2013 Olson F02M 35/10019
 123/184.46
 8,596,874 B2 * 12/2013 Shaikh F16C 35/04
 384/537
 D713,423 S * 9/2014 Kimball D15/5
 D714,630 S * 10/2014 Irgens D8/394
 D739,921 S * 9/2015 Crochet, Sr. D23/262
 D802,628 S * 11/2017 Fischetto D15/5
 9,861,922 B1 1/2018 Townsend
 D810,139 S * 2/2018 Chan D15/5
 D812,100 S * 3/2018 Litchfield D15/5
 10,385,811 B2 8/2019 Newman et al.
 D865,919 S * 11/2019 Lippka D23/262
 2003/0089870 A1 * 5/2003 Borasch F02D 11/10
 251/129.11
 2004/0154574 A1 * 8/2004 Menin F02M 35/10078
 123/184.42
 2005/0045137 A1 * 3/2005 Schweiger F02M 35/10078
 123/184.21
 2005/0183414 A1 * 8/2005 Bien F01N 13/1872
 60/323
 2005/0188969 A1 * 9/2005 Wheeler, III F02M 29/14
 123/590
 2006/0191505 A1 * 8/2006 Doko F02M 35/10347
 123/184.59
 2006/0254552 A1 * 11/2006 Brachos F02M 35/10216
 123/184.46
 2009/0241886 A1 * 10/2009 Kameda F02M 35/10216
 123/184.21
 2012/0186552 A1 * 7/2012 Niakan F02M 35/10354
 123/184.21
 2014/0311143 A1 * 10/2014 Speidel F02M 35/10321
 60/599
 2014/0352643 A1 * 12/2014 Clarke F02M 35/10354
 123/184.21

2016/0090954 A1 * 3/2016 Amann F02M 35/10078
 285/124.4
 2016/0305380 A1 * 10/2016 Justice F02M 35/10354
 2016/0348624 A1 * 12/2016 Allard F02M 35/10354
 2017/0096976 A1 * 4/2017 Hall F02M 35/10354
 2017/0167451 A1 * 6/2017 Tomlinson F02M 35/10262
 2017/0335809 A1 11/2017 Newman et al.

FOREIGN PATENT DOCUMENTS

AU 201911581 4/2019
 WO 2016070165 5/2016

OTHER PUBLICATIONS

Design U.S. Appl. No. 29/583,805 entitled "Air Cleaner" filed Nov. 9, 2016.
 Design U.S. Appl. No. 29/599,278 entitled "Ornamental Component" filed Mar. 31, 2017.
 Design U.S. Appl. No. 29/597,917 entitled "Adapter" filed Mar. 21, 2017.
 U.S. Appl. No. 62/727,716 entitled "Pump Adapter" filed Sep. 6, 2018.
 Design U.S. Appl. No. 29/662,532 entitled "Pump Adapter" filed Sep. 6, 2018.
 Utility U.S. Appl. No. 16/553,619 entitled "Pump Adapter" filed Aug. 28, 2019.
 U.S. Appl. No. 62/872,520 entitled "Air Filter Adapter" filed Jul. 10, 2019.
 Radium Engineering, 20-0145 Fuel Pump Inlet Adapter Installation Instructions, Sep. 21, 2018 [publication date retrieved from Internet Wayback Machine on Oct. 8, 2019].
 www.efihardware.com, Walbro in Tank Fuel Pump Extension Kit, Mar. 31, 2015 [publication date retrieve from Internet Wayback Machine on Oct. 8, 2019].
 Design U.S. Appl. No. 29/658,294 entitled "Adapter" filed Jul. 30, 2018.

* cited by examiner

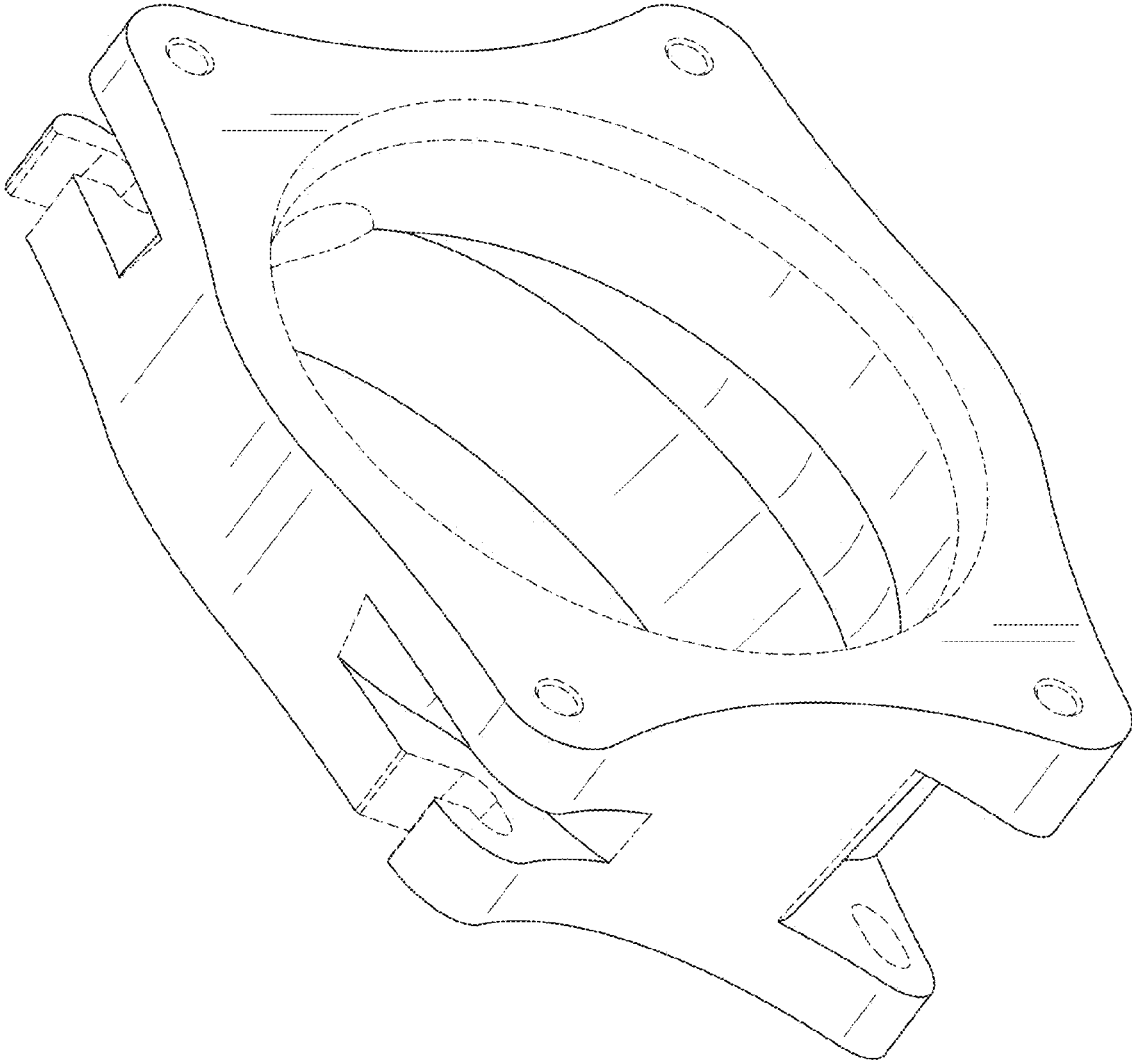


FIG. 1

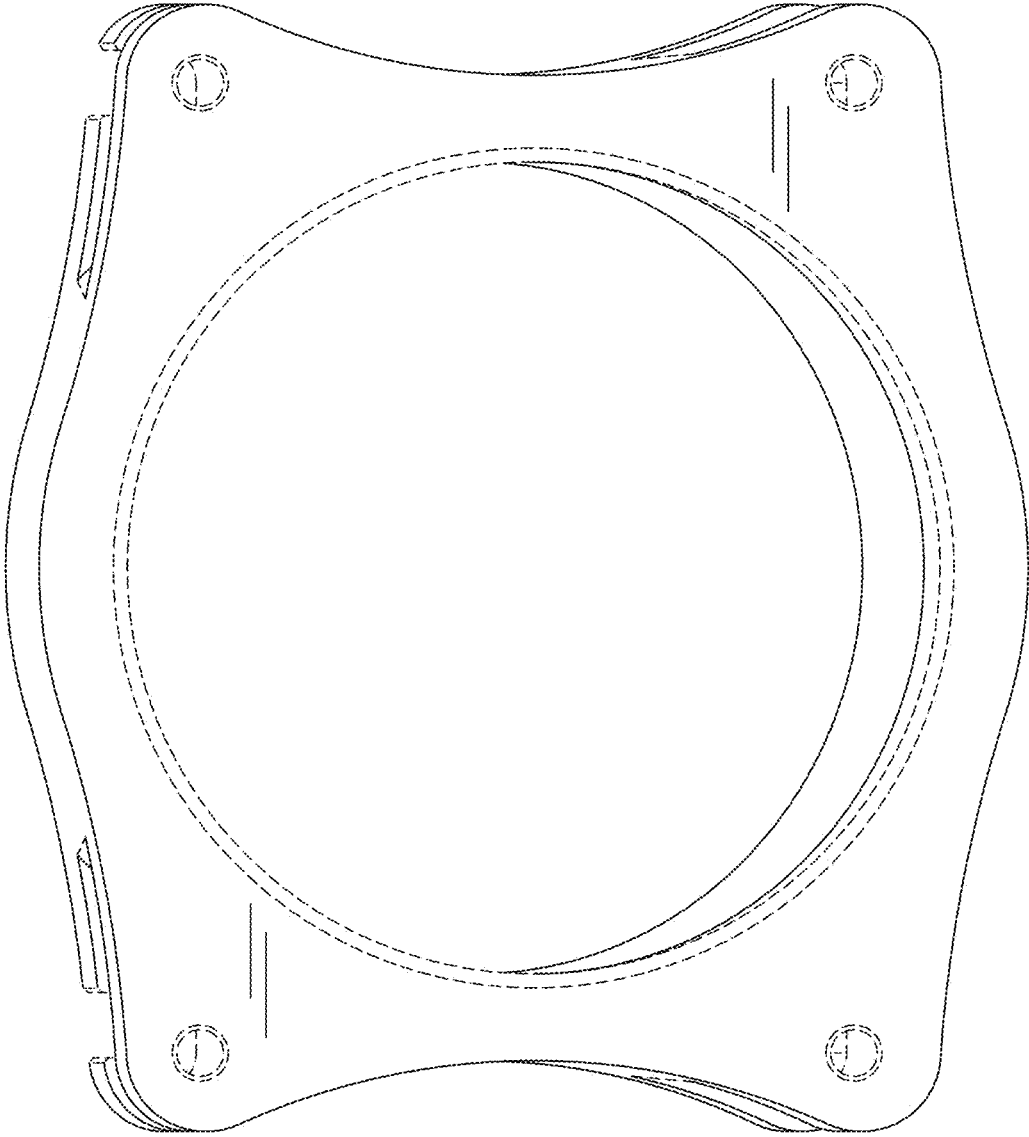


FIG. 2

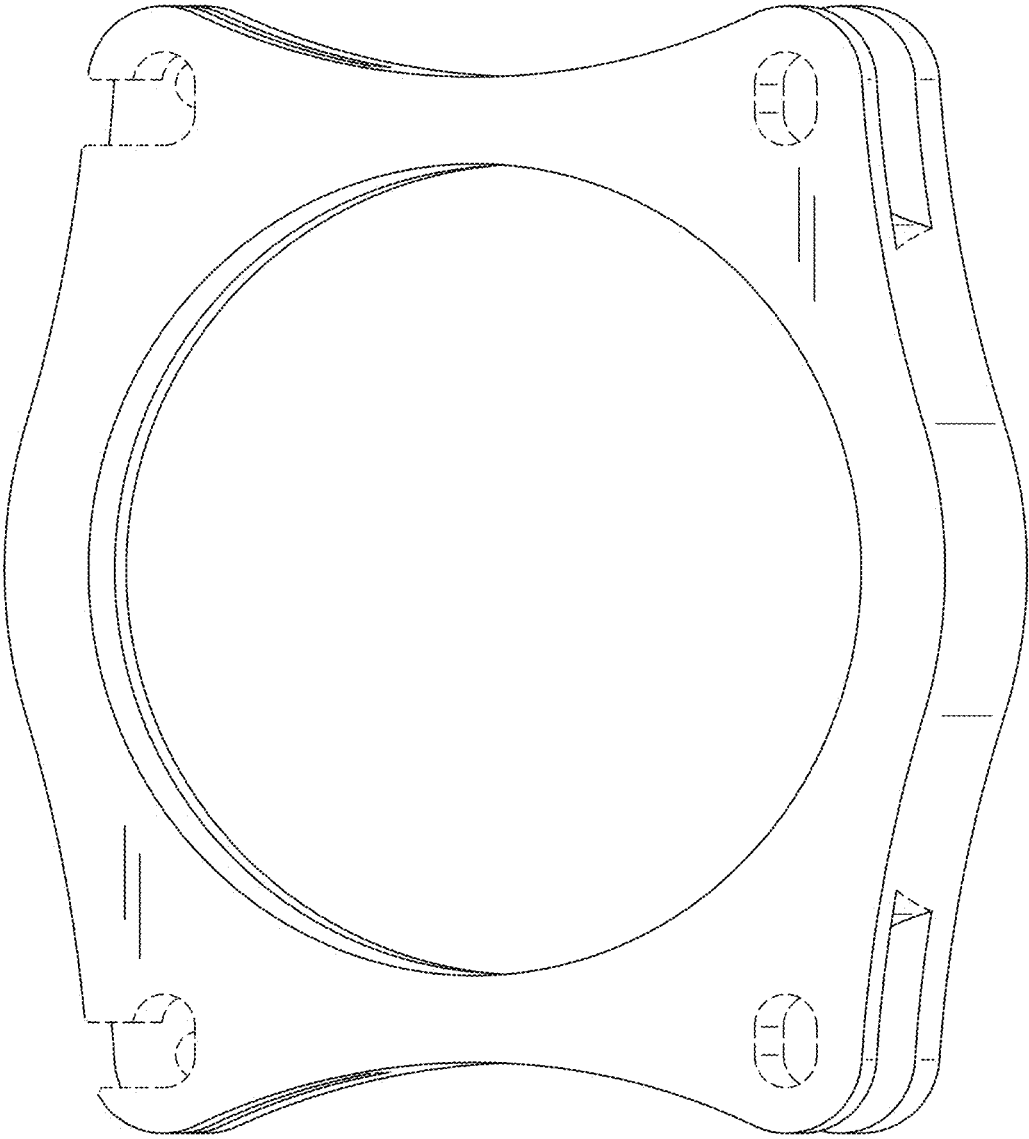


FIG. 3

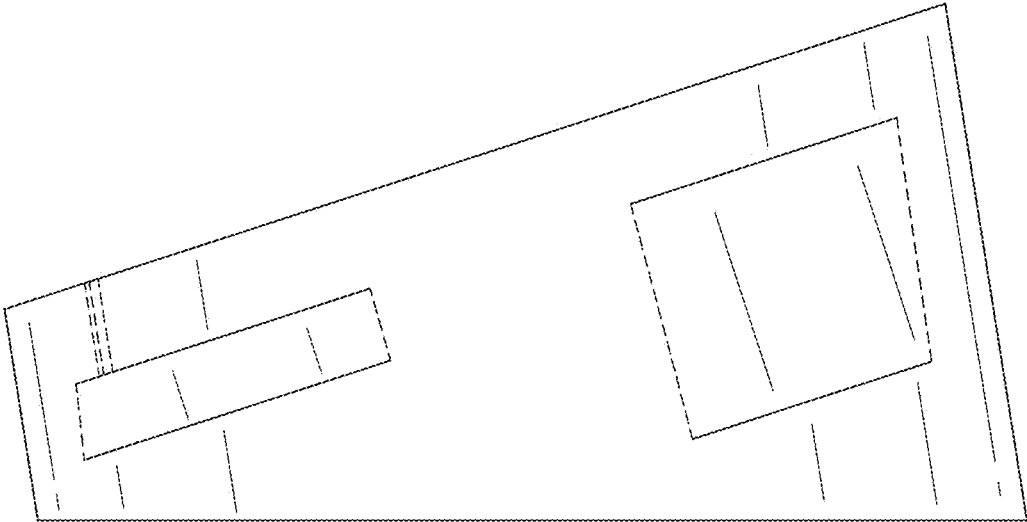


FIG. 4

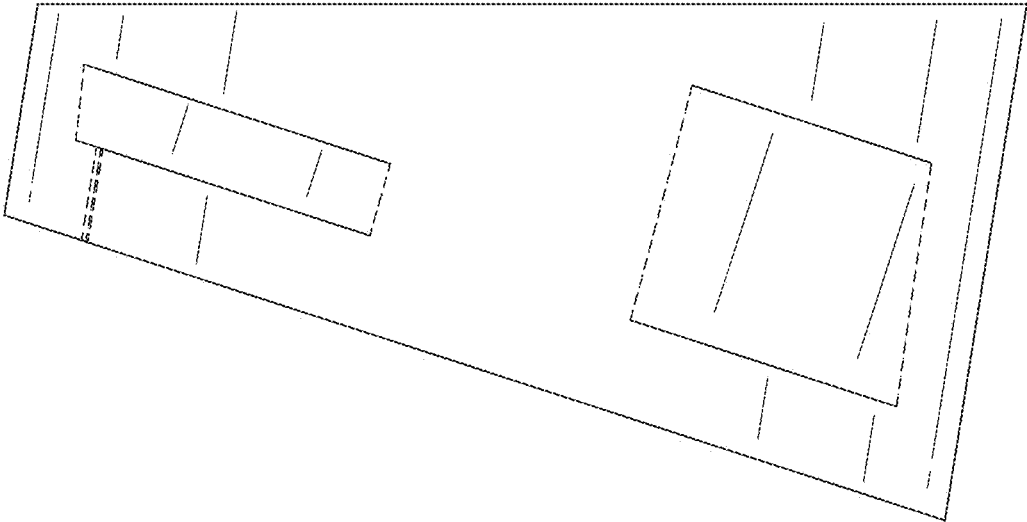


FIG. 5

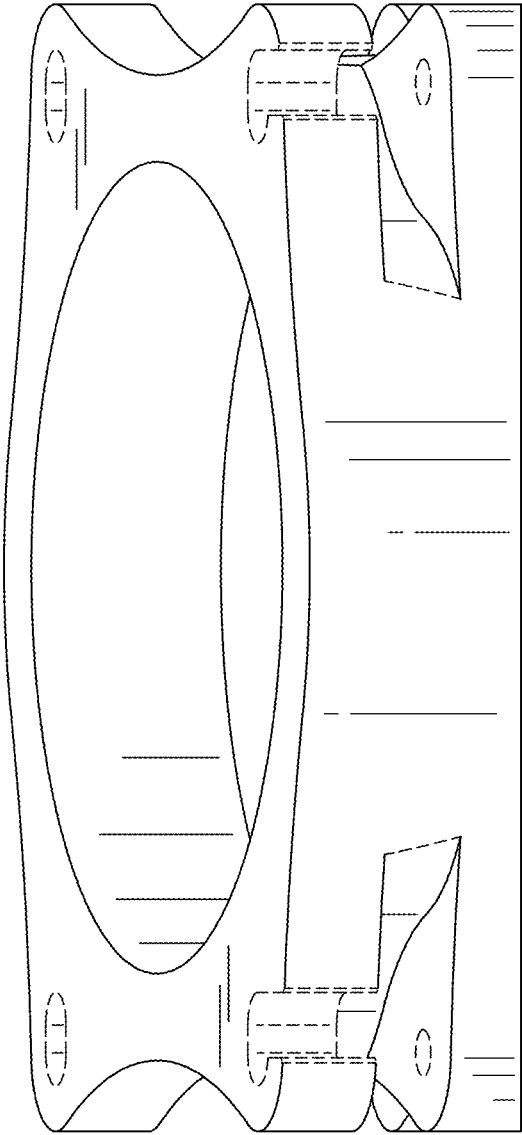


FIG. 6

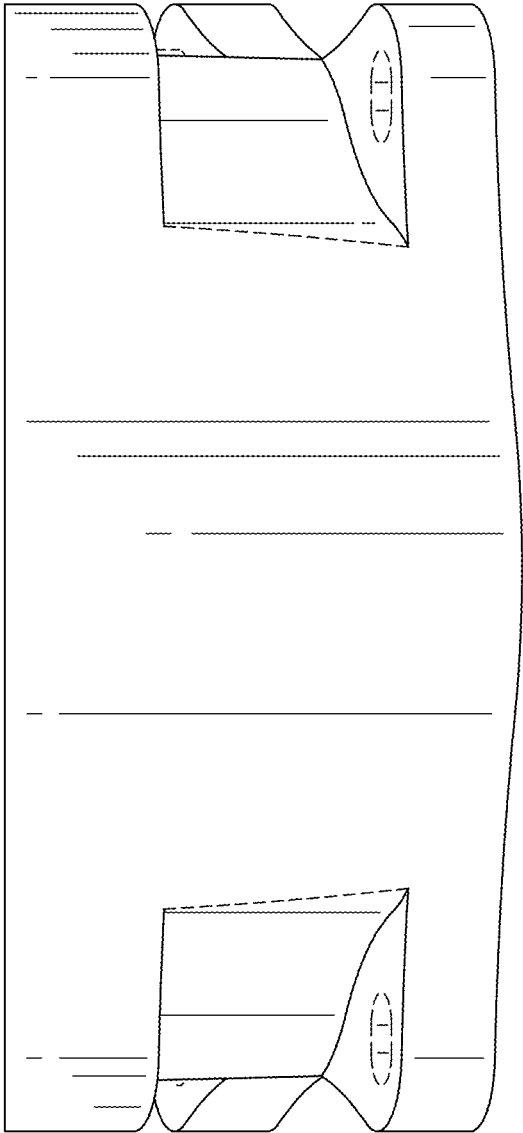


FIG. 7