

(12) UK Patent Application (19) GB (11) 2540521 (13) A

(43) Date of Reproduction by UK Office 18.01.2017

(21) Application No: 1620151.9

(22) Date of Filing: 14.05.2015

Date Lodged: 29.11.2016

(30) Priority Data:
(31) 14283719 (32) 21.05.2014 (33) US

(86) International Application Data:
PCT/US2015/030726 En 14.05.2015

(87) International Publication Data:
WO2015/179200 En 26.11.2015

(51) INT CL:
F21K 9/238 (2016.01) F21K 9/90 (2016.01)

(56) Documents Cited:
US 20140021862 A1 US 20130271997 A1
US 20130181607 A1 US 20120274208 A1
US 20090279310 A1 US 20070013557 A1

(58) Field of Search:
INT CL H01L, H05B
Other: Patbase, Google Web, Google Scholar; USPC:
362/296.01, 297, 301

(71) Applicant(s):
Technical Consumer Products, Inc.
325 Campus Drive, Aurora 44202, Ohio,
United States of America

(72) Inventor(s):
Timothy Chen
Donald A Sargent

(74) Agent and/or Address for Service:
Forresters
Sherborne House, 119-121 Cannon Street, LONDON,
EC4N 5AT, United Kingdom

(54) Title of the Invention: **Antenna element for a directional lighting fixture**
Abstract Title: **Antenna element for a directional lighting fixture**

(57) A directional lighting fixture is disclosed. The directional lighting fixture includes a first housing, a lighting element, an optical element, and a driver board. The lighting element is located within the first housing and substantially aligned with a central axis of the directional lighting fixture. The lighting element is configured to generate visible light. The optical element is positioned directly in front of the lighting element. The optical element is configured to direct the visible light generated by the lighting element in a specific direction. The driver board is electrically coupled to the lighting element and includes an antenna element. The driver board is offset from the central axis of the directional lighting fixture. The antenna element is positioned to be at least flush with the lighting element.

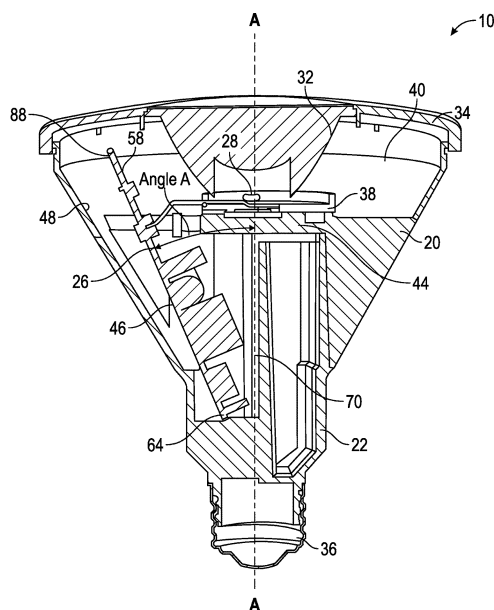


FIG. 1

GB 2540521 A