



US00D399219S

United States Patent [19] Chang

[11] Patent Number: **Des. 399,219**

[45] Date of Patent: ****Oct. 6, 1998**

[54] **SAWING MACHINE**

[75] Inventor: **Chiu-Tsun Chang**, Taichung, Taiwan

[73] Assignee: **P & F Brother Industrial Corporation**, Taichung, Taiwan

[**] Term: **14 Years**

[21] Appl. No.: **75,425**

[22] Filed: **Aug. 18, 1997**

[51] **LOC (6) Cl.** **15-09**

[52] **U.S. Cl.** **D15/133**

[58] **Field of Search** D15/133; 83/468.3,
83/471.1, 471.2, 471.3, 471.4, 477, 581,
776-783

[56] **References Cited**

U.S. PATENT DOCUMENTS

- D. 348,272 6/1994 Brickner D15/133
- D. 374,803 10/1996 Terpstra et al. D15/133

- D. 383,765 9/1997 Kani et al. D15/133
- D. 388,442 12/1997 Shibata et al. D15/133
- 5,347,902 9/1994 Brickner et al. 83/468.3
- 5,370,025 12/1994 Itzov 83/471.3

Primary Examiner—Antoine Duval Davis
Attorney, Agent, or Firm—Brooks & Kushman P.C.

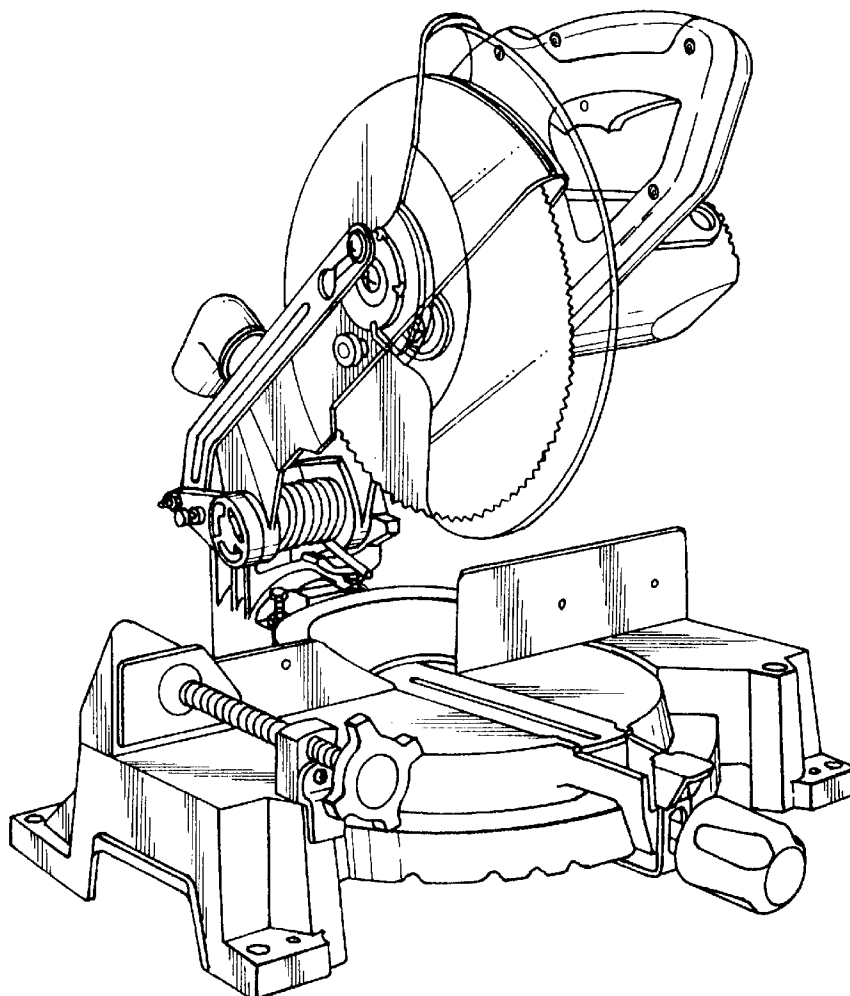
[57] **CLAIM**

The ornamental design for sawing machine, as shown and described.

DESCRIPTION

FIG. 1 is a perspective view of sawing machine showing my new design;
FIG. 2 is a front elevational view thereof;
FIG. 3 is a rear elevational view thereof;
FIG. 4 is a left side elevational view thereof;
FIG. 5 is a right side elevational view thereof;
FIG. 6 is a top plan view thereof; and,
FIG. 7 is a bottom plan view thereof.

1 Claim, 7 Drawing Sheets



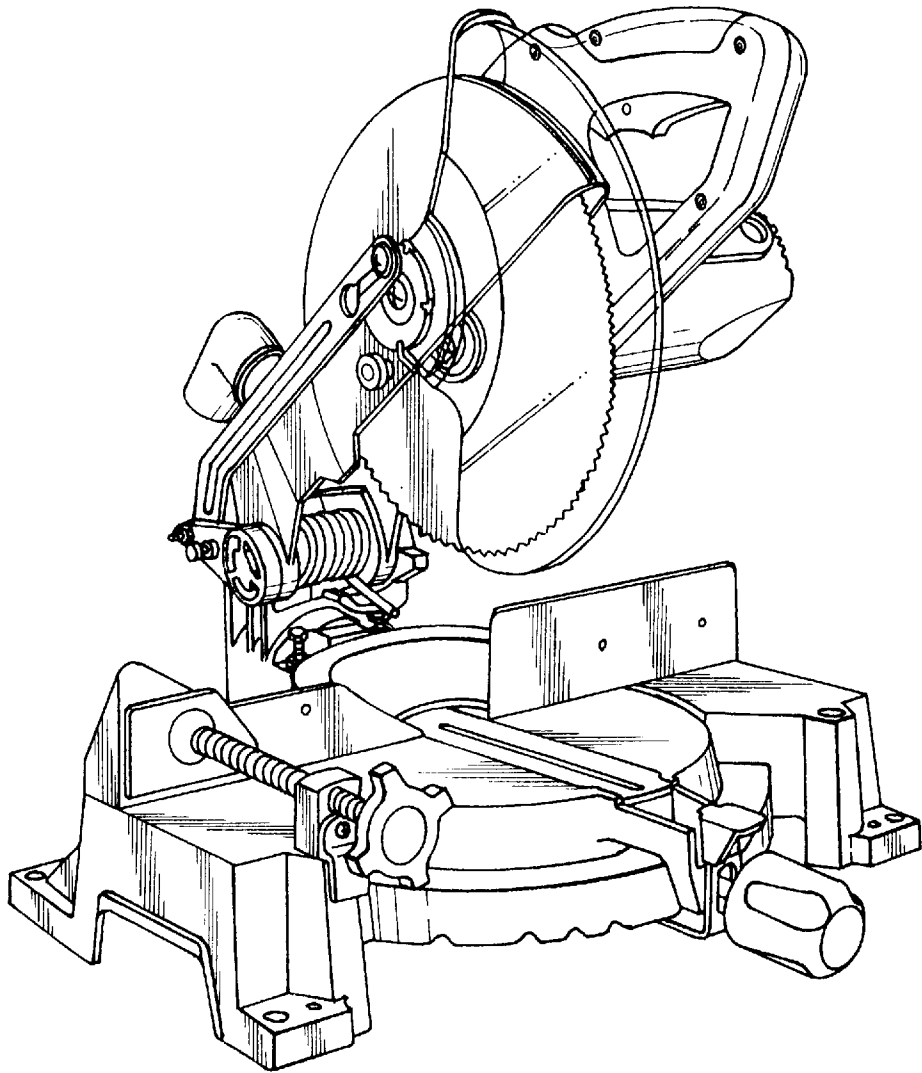


FIG.1

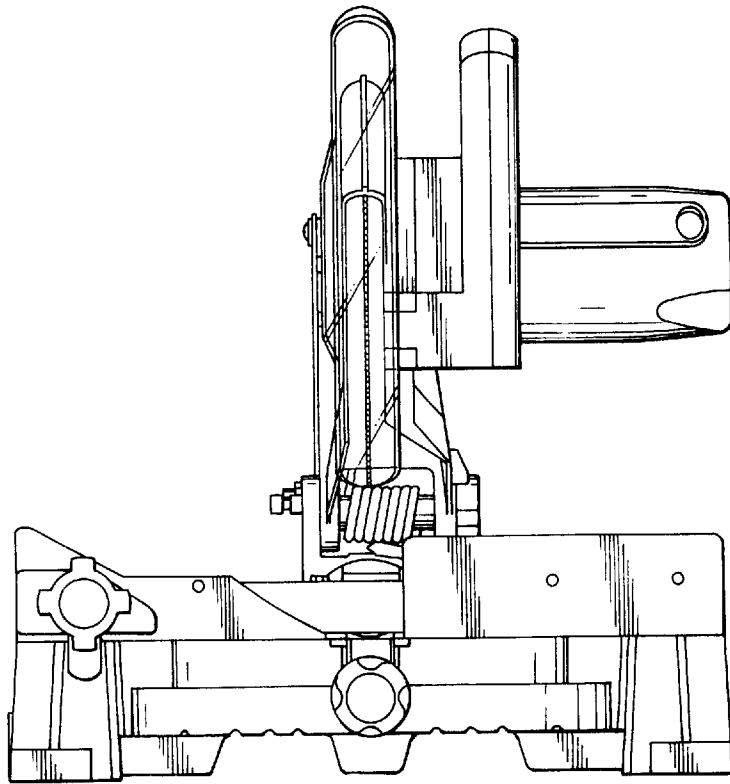


FIG. 2

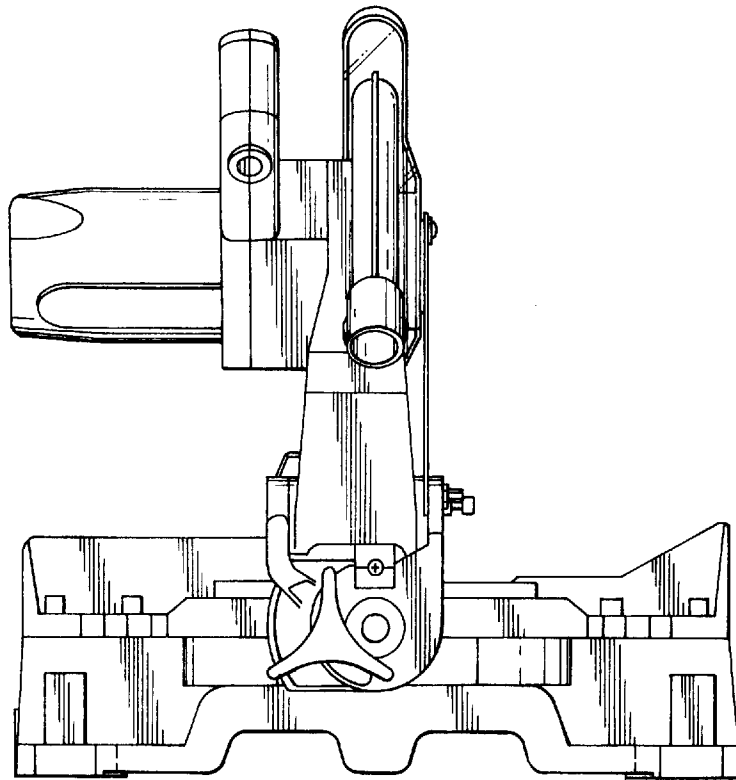


FIG. 3

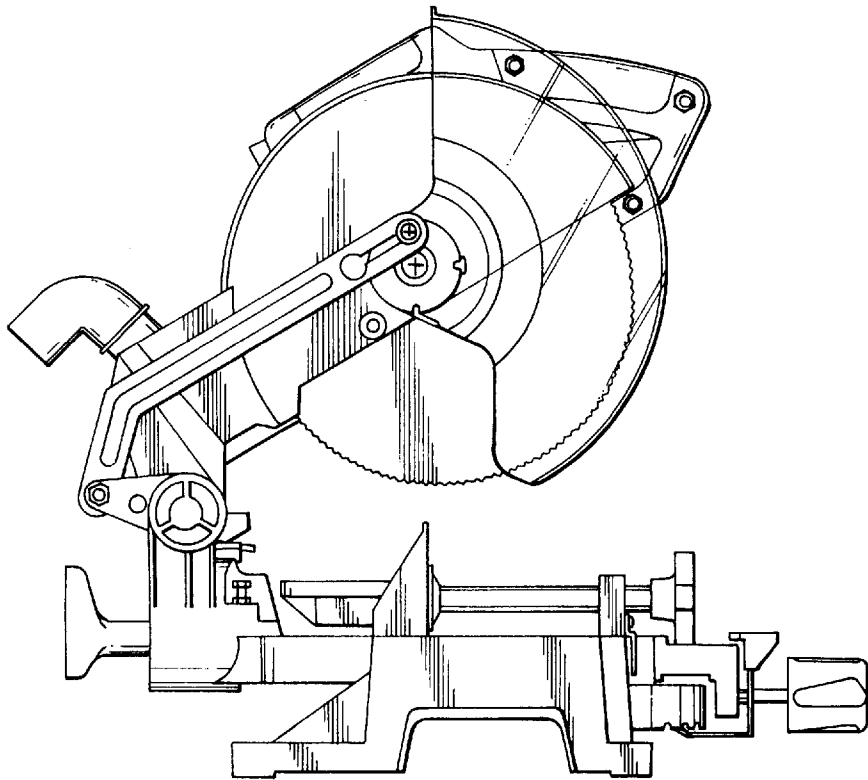


FIG.4

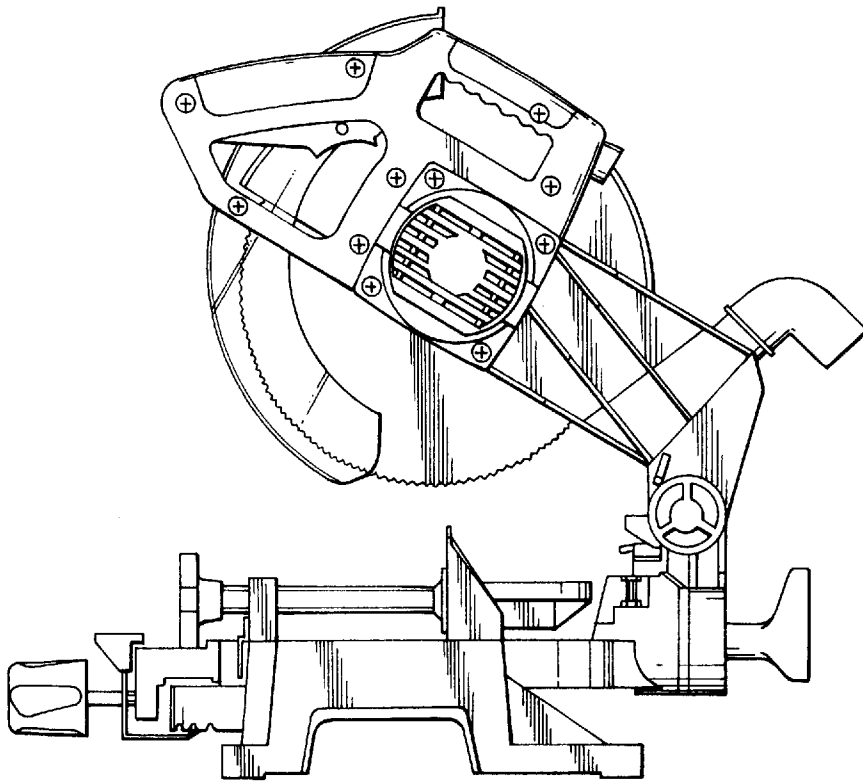


FIG.5

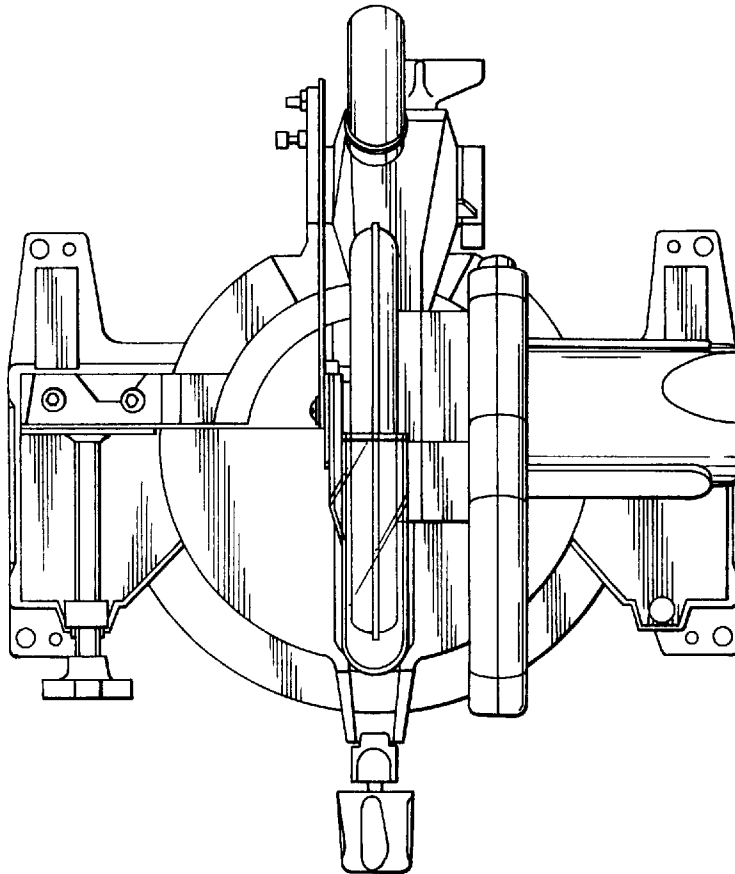


FIG. 6

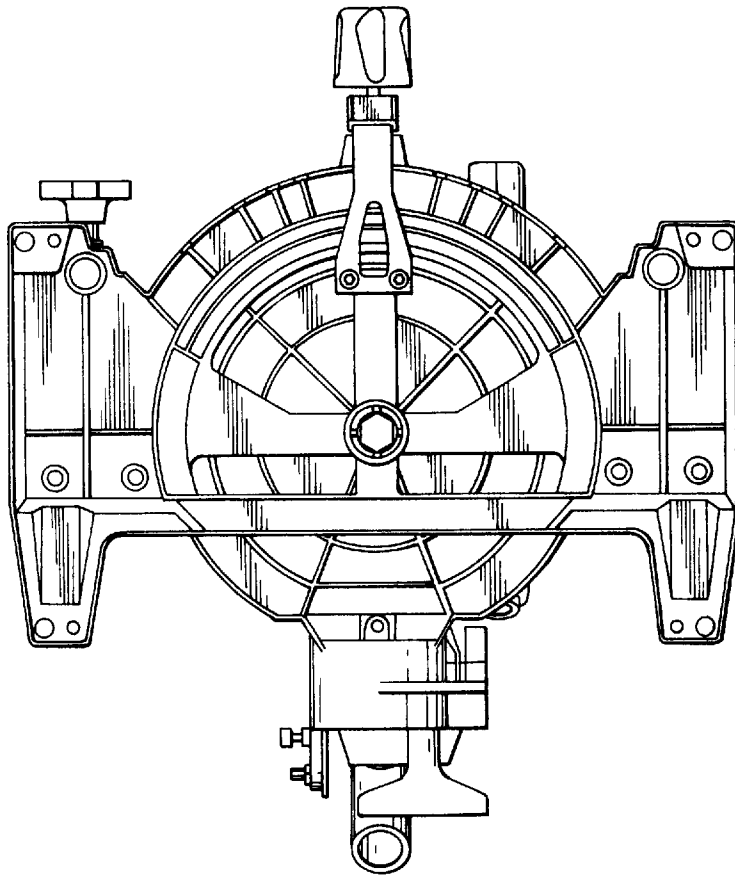


FIG.7