



US0D1044975S

(12) **United States Design Patent**
Smith et al.

(10) **Patent No.:** **US D1,044,975 S**

(45) **Date of Patent:** **** Oct. 1, 2024**

(54) **EXERCISE MACHINE**

FOREIGN PATENT DOCUMENTS

(71) Applicant: **Hydrow, Inc.**, Cambridge, MA (US)

CN 305888814 S 6/2020
CN 217988321 U * 12/2022 A63B 21/153

(72) Inventors: **Bruce Smith**, Cambridge, MA (US);
Jason Cooper, Canton, MA (US);
Taehak Kwon, Brookline, MA (US);
Scott Stropkay, Carlisle, MA (US)

(Continued)

(73) Assignee: **HYDROW, INC.**, Cambridge, MA (US)

OTHER PUBLICATIONS

Hydrow, announced 2024[online], [site visited May 4, 2024]. Available on internet, URL:https://www.amazon.com/Hydrow-Rowing-Machine-Immersive-Touchscreen/dp/B0BHLXDZ2N (Year: 2022).*

(Continued)

(**) Term: **15 Years**

Primary Examiner — Khawaja Anwar

Assistant Examiner — Julice Seung Eun Oum

(21) Appl. No.: **29/934,355**

(74) *Attorney, Agent, or Firm* — Duane Morris LLP

(22) Filed: **Mar. 25, 2024**

Related U.S. Application Data

(62) Division of application No. 29/838,639, filed on May 13, 2022.

(51) **LOC (14) Cl.** **21-02**

(52) **U.S. Cl.**

USPC **D21/674**

(58) **Field of Classification Search**

USPC D21/674, 662, 687, 694, 695, 801, 673

CPC B63H 16/02; B63H 16/04; B63H 16/06;
B63H 16/10; B63H 16/067; B63H
16/105; B63H 1/32; B63H 16/00; B63H
16/08; B63H 16/12; B63H 16/14; B63H
16/20; B63H 2016/063; B63H 2021/216;
B63H

(Continued)

(57) **CLAIM**

The ornamental design for an exercise machine, as shown and described.

DESCRIPTION

FIG. 1 is a side/top perspective view of an alternate embodiment of an exercise machine in accordance with the subject technology.

FIG. 2 is a left side view of the exercise machine of FIG. 1. FIG. 3 is a right side view of the exercise machine of FIG. 1.

FIG. 4 is a top view of the exercise machine of FIG. 1.

FIG. 5 is a bottom view of the exercise machine of FIG. 1.

FIG. 6 is a back view of the exercise machine of FIG. 1.

FIG. 7 is a front view of the exercise machine of FIG. 1; and,

FIG. 8 is a side/top perspective view of an alternate embodiment of an exercise machine in accordance with the subject technology.

The purpose of the broken lines shown in the drawings is to denote features of the structure that form no part of the claimed design.

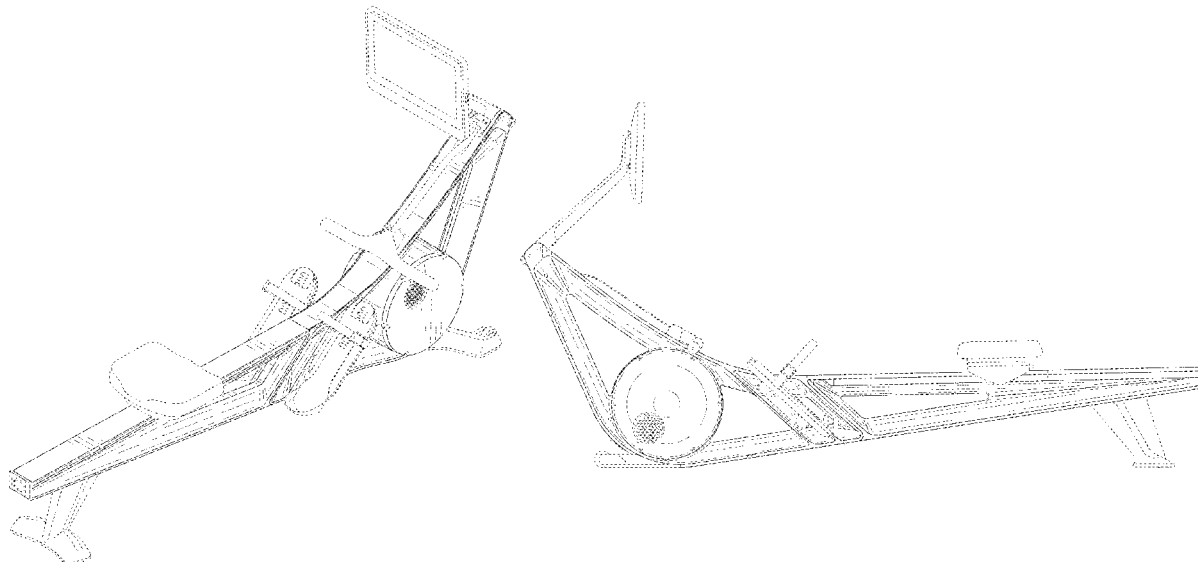
(56) **References Cited**

U.S. PATENT DOCUMENTS

4,798,378 A 1/1989 Jones
4,880,224 A 11/1989 Jonas et al.

(Continued)

1 Claim, 6 Drawing Sheets



(58) **Field of Classification Search**

CPC 21/20; B63H 21/21; B63H 25/36; B63B 34/20; B63B 34/26; B63B 34/30; B63B 17/00; B63B 32/10; B63B 32/70; B63B 34/00; B63B 2029/043; B63B 2201/18; B63B 79/00; B63B 7/04; B62K 3/005; B62K 13/04; B62K 2015/005; B62K 3/16; B62K 5/00; B62K 5/02; B62K 5/023; B62K 5/025; B62M 1/12; B62M 1/16; B62M 1/18; B62M 11/00; B62M 1/10; B62M 1/14; B62M 1/24; B62M 1/28; B62M 1/30; B62M 3/086; B62M 9/00; B62M 9/06

See application file for complete search history.

D1,022,078 S * 4/2024 Tian D21/674
 D1,024,229 S * 4/2024 Ren D21/674
 2011/0152041 A1 6/2011 Francis
 2013/0150216 A1 6/2013 Bell et al.
 2019/0126099 A1 5/2019 Hoang
 2019/0192899 A1 6/2019 Dubin et al.
 2020/0376328 A1 12/2020 Smith et al.
 2021/0101047 A1* 4/2021 Chang A63B 22/0076
 2021/0101052 A1* 4/2021 Gore G06F 3/04847
 2022/0362624 A1 11/2022 Dalebout
 2023/0249028 A1 8/2023 McCarthy
 2023/0338772 A1 10/2023 Hsu
 2023/0364462 A1* 11/2023 Ayala A63B 71/0036
 2023/0364485 A1 11/2023 Carleo et al.
 2024/0082629 A1* 3/2024 Smith A63B 21/0057

(56) **References Cited**

U.S. PATENT DOCUMENTS

5,122,105 A 6/1992 Engel et al.
 9,901,768 B1 2/2018 Wu
 10,471,297 B1* 11/2019 Smith A63B 22/0076
 D898,843 S * 10/2020 Kwon D21/674
 10,828,531 B1* 11/2020 Smith A63B 21/225
 D921,775 S 6/2021 Wu
 D922,503 S 6/2021 Wu
 11,083,930 B1 8/2021 Tipple et al.
 11,400,345 B2 8/2022 Gore
 D975,214 S 1/2023 Kwon et al.
 D979,670 S 2/2023 Kwon et al.
 D984,562 S 4/2023 Kwon et al.
 D1,019,831 S * 3/2024 Wang D21/688

FOREIGN PATENT DOCUMENTS

CN 220159148 U * 12/2023
 CN 220159150 U * 12/2023
 KR 301174885 7/2022

OTHER PUBLICATIONS

Peloton, announced 2024[online], [site visited May 4, 2024]. Available on internet, URL:<https://www.amazon.com/Peloton-RW01-DC01-Row/dp/B0CC3JTNW2> (Year: 2024).
 NordicTrack, announced 2021 [online], [site visited Dec. 8, 2023]. Available on internet, URL:<https://www.amazon.com/Nordic-Track-Upgraded-Touchscreen-30-Day-Membership/dp/B0935WXXGDK/ref> (Year: 2021).

* cited by examiner

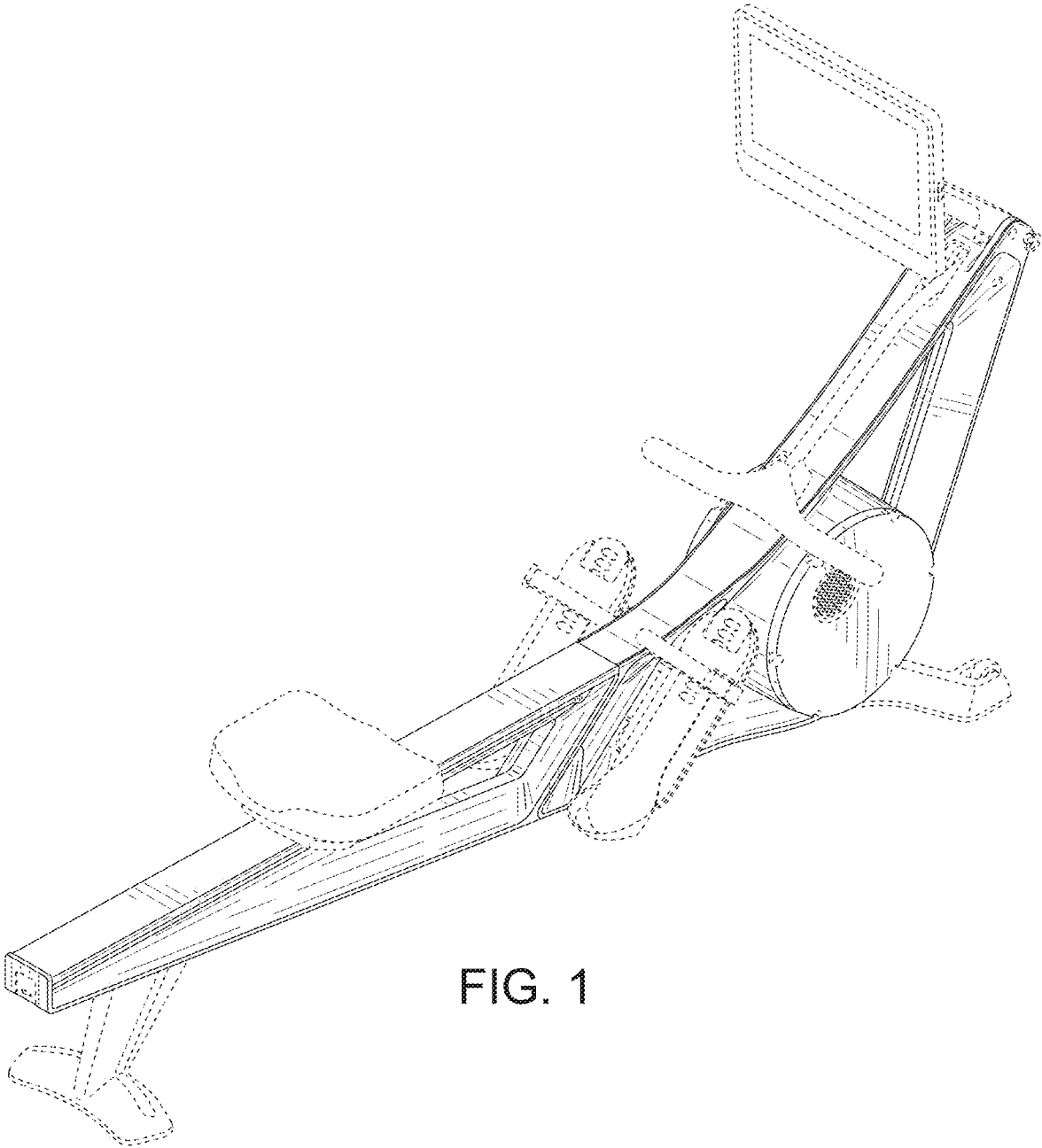


FIG. 1

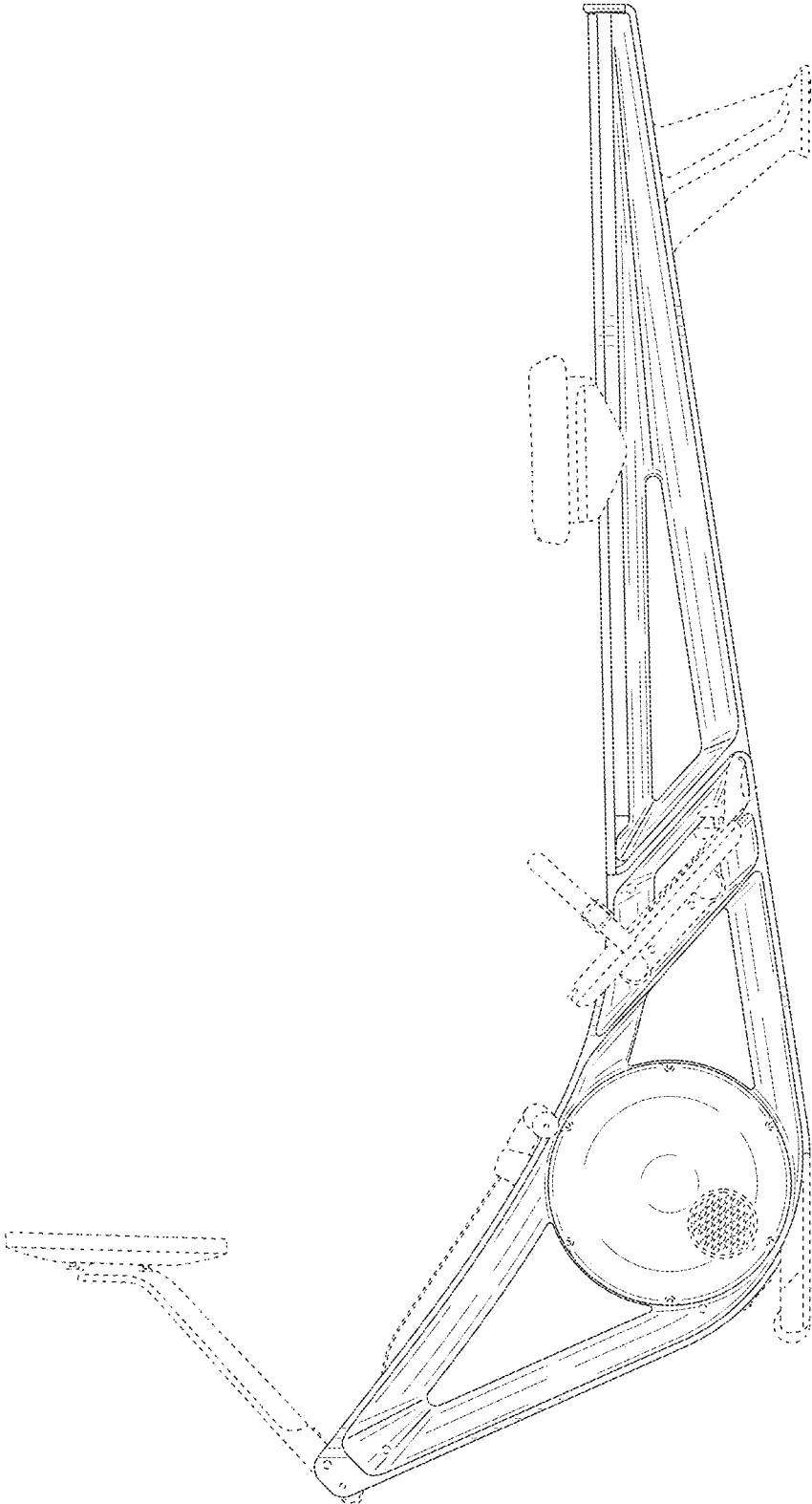


FIG. 2

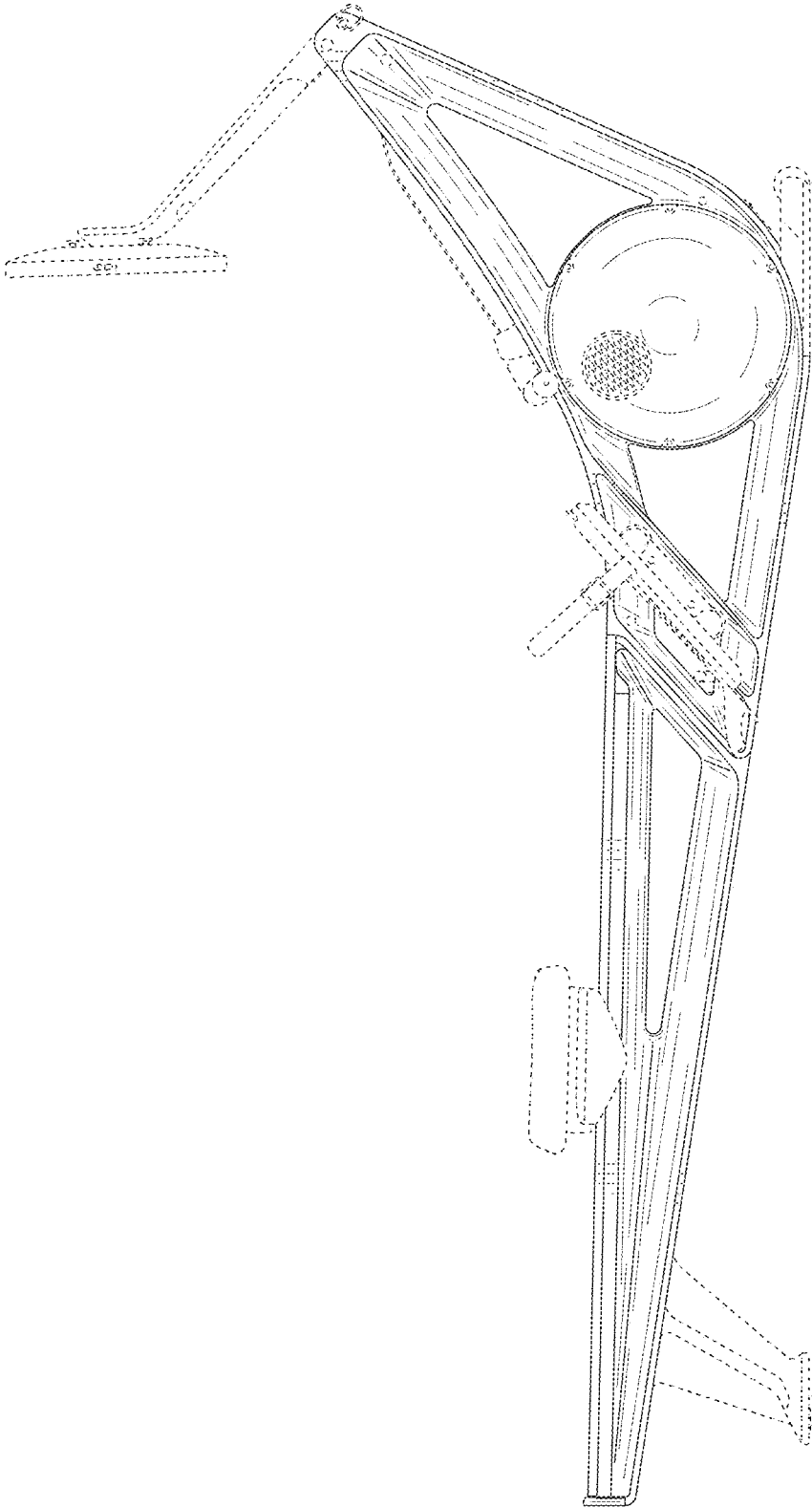


FIG. 3

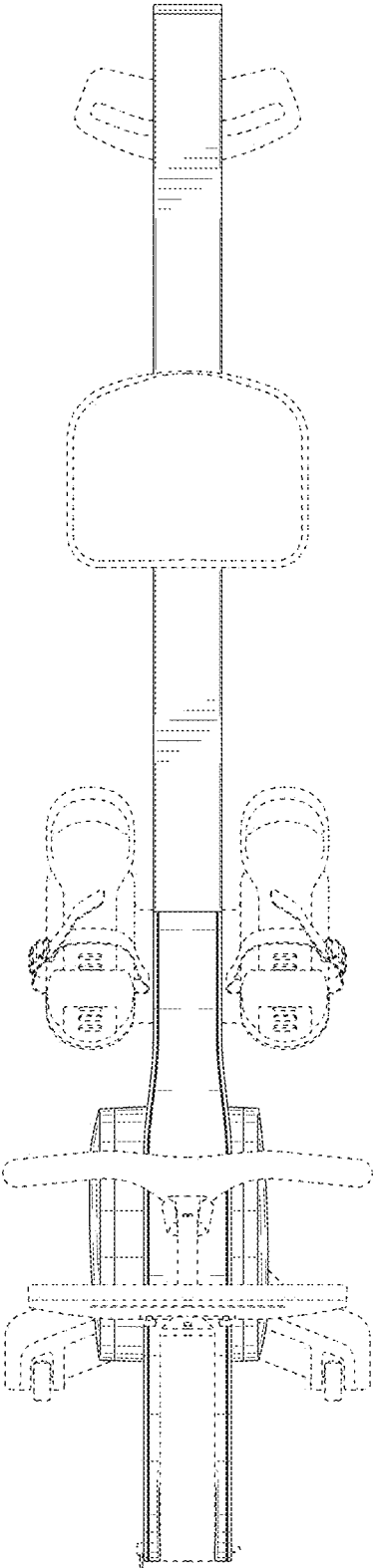


FIG. 4

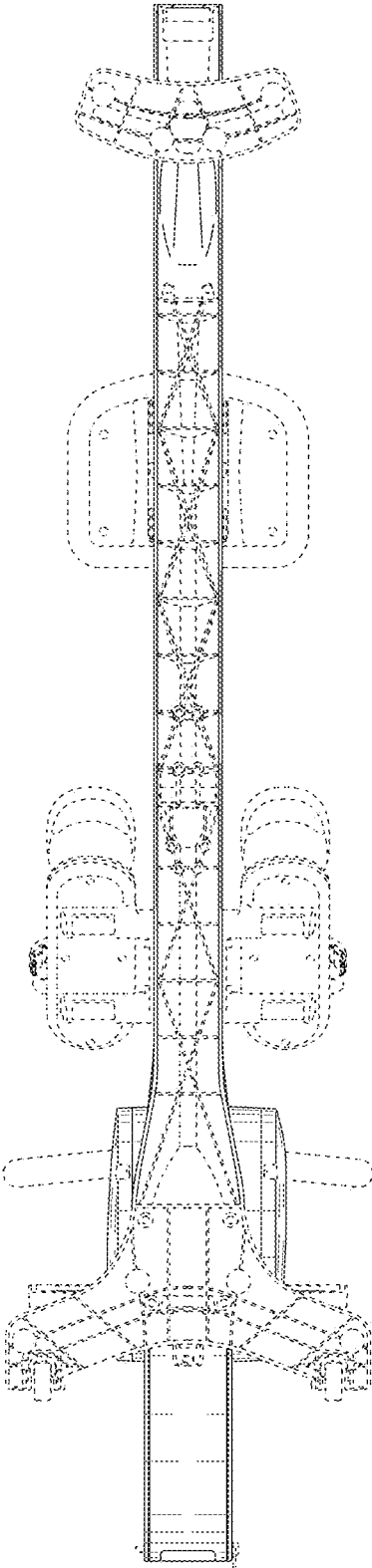


FIG. 5

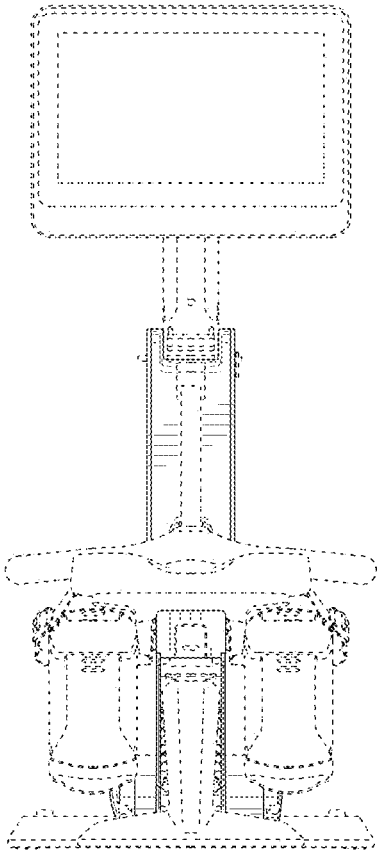


FIG. 6

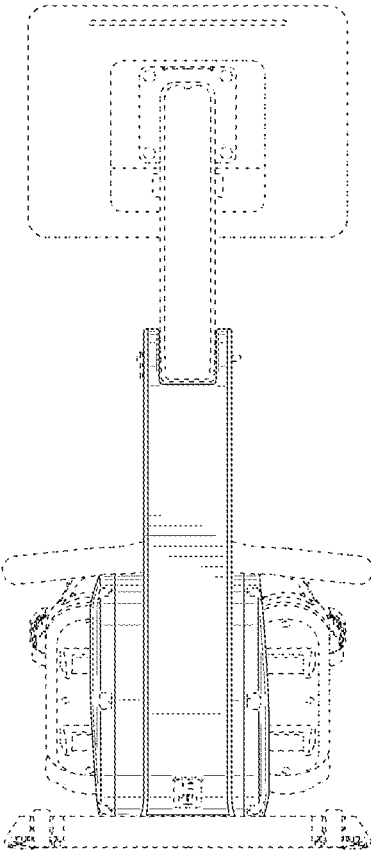


FIG. 7

