



US00D961064S

(12) **United States Design Patent**
Li

(10) **Patent No.:** **US D961,064 S**

(45) **Date of Patent:** **** Aug. 16, 2022**

- (54) **FAN**
- (71) Applicant: **SHENZHEN JISU TECHNOLOGY CO., LTD**, Shenzhen (CN)
- (72) Inventor: **Xiangfu Li**, Shenzhen (CN)
- (73) Assignee: **SHENZHEN JISU TECHNOLOGY CO., LTD**, Shenzhen (CN)
- (**) Term: **15 Years**

D669,976	S	*	10/2012	Hsu	D23/382
D865,937	S	*	11/2019	Lin	D23/382
D890,912	S	*	7/2020	Ma	D23/382
D902,374	S	*	11/2020	Li	D23/382
D948,702	S	*	4/2022	Ma	D23/382
D951,424	S	*	5/2022	Chen	D23/382
D952,829	S	*	5/2022	Ye	D23/382
2020/0011338	A1	*	1/2020	Lin	F04D 25/105

* cited by examiner

Primary Examiner — Sharon S Oum

- (21) Appl. No.: **29/761,368**
- (22) Filed: **Dec. 9, 2020**

(30) **Foreign Application Priority Data**

Sep. 29, 2020 (CN) 202030588817.1

(51) **LOC (13) Cl.** **23-04**

(52) **U.S. Cl.**
USPC **D23/382**

(58) **Field of Classification Search**

USPC D23/328, 332–337, 341, 351, 352, 355,
D23/356, 364, 370, 378, 381–383,
D23/386–390, 411–412
CPC F04D 25/0673; F04D 25/08; F04D 25/084;
F04D 25/086; F04D 29/4226

See application file for complete search history.

(56) **References Cited**

U.S. PATENT DOCUMENTS

5,547,343	A	*	8/1996	Jane	F04D 29/601 416/246
D416,321	S	*	11/1999	Jane	D23/382

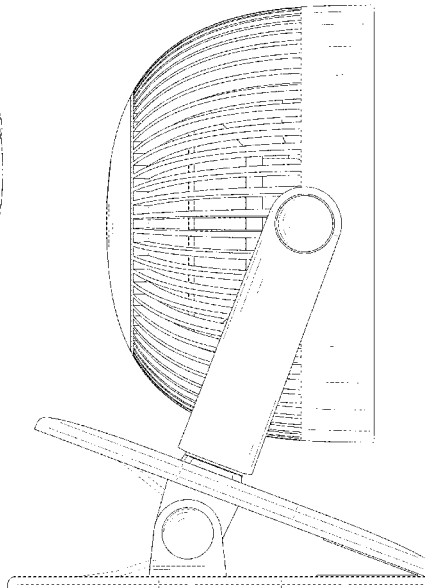
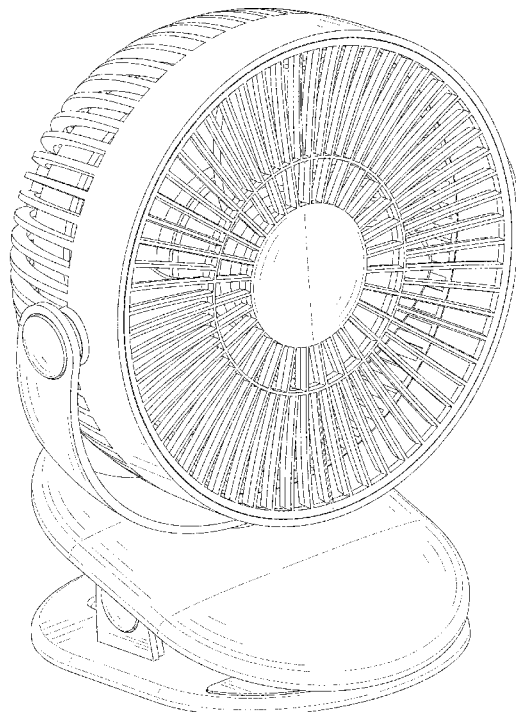
(57) **CLAIM**

The ornamental design for a fan, as shown and described.

DESCRIPTION

FIG. 1 is a perspective view of a fan showing my new design;
 FIG. 2 is another perspective view thereof;
 FIG. 3 is another perspective view thereof;
 FIG. 4 is a front elevational view thereof;
 FIG. 5 is a rear elevational view thereof;
 FIG. 6 is a left side elevational view thereof;
 FIG. 7 is a right side elevational view thereof;
 FIG. 8 is a top plan view thereof; and,
 FIG. 9 is a bottom plan view thereof.
 The broken lines in the drawings depict portions of the fan that form no part of the claimed design.

1 Claim, 9 Drawing Sheets



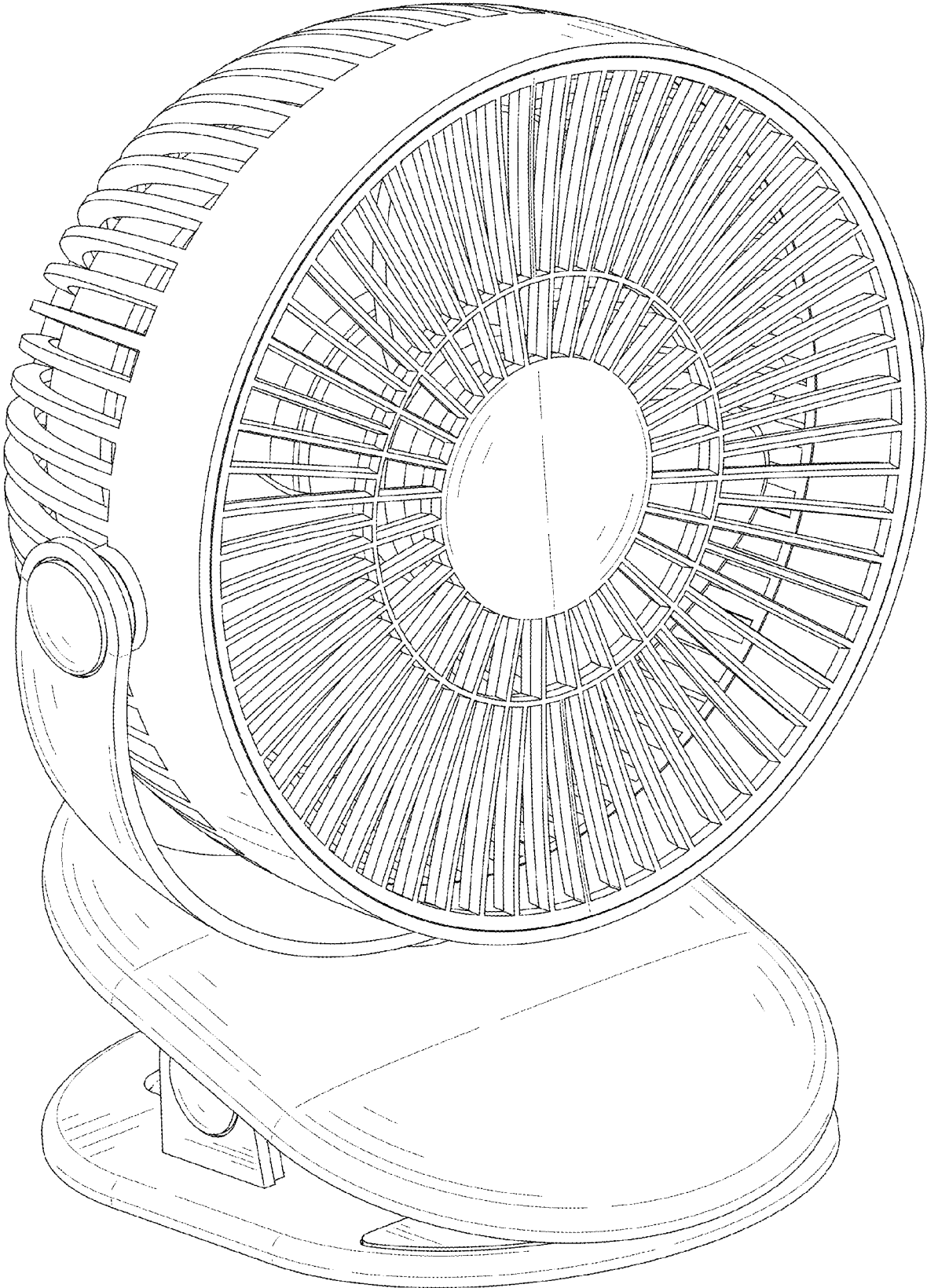


FIG. 1

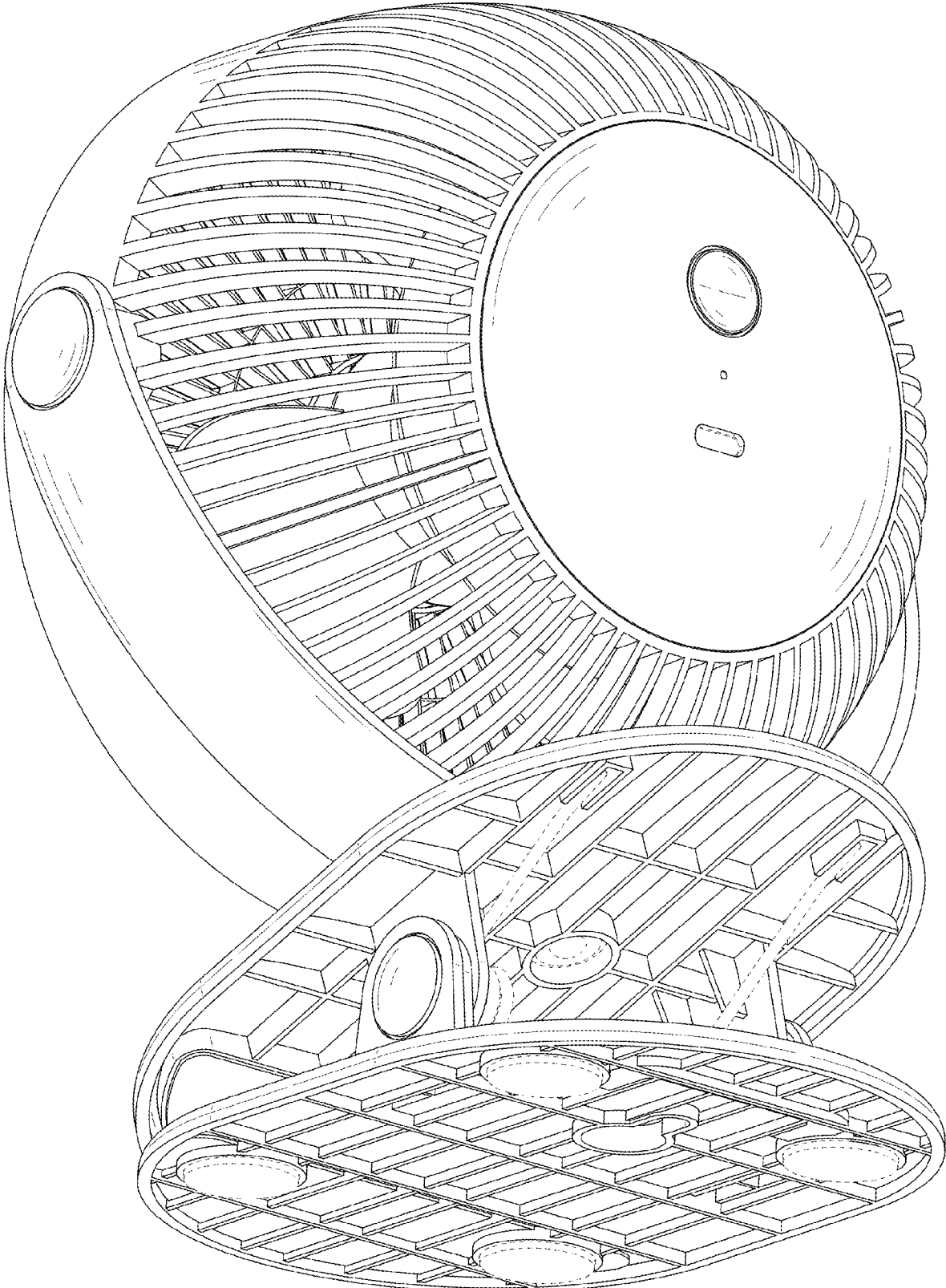


FIG. 2

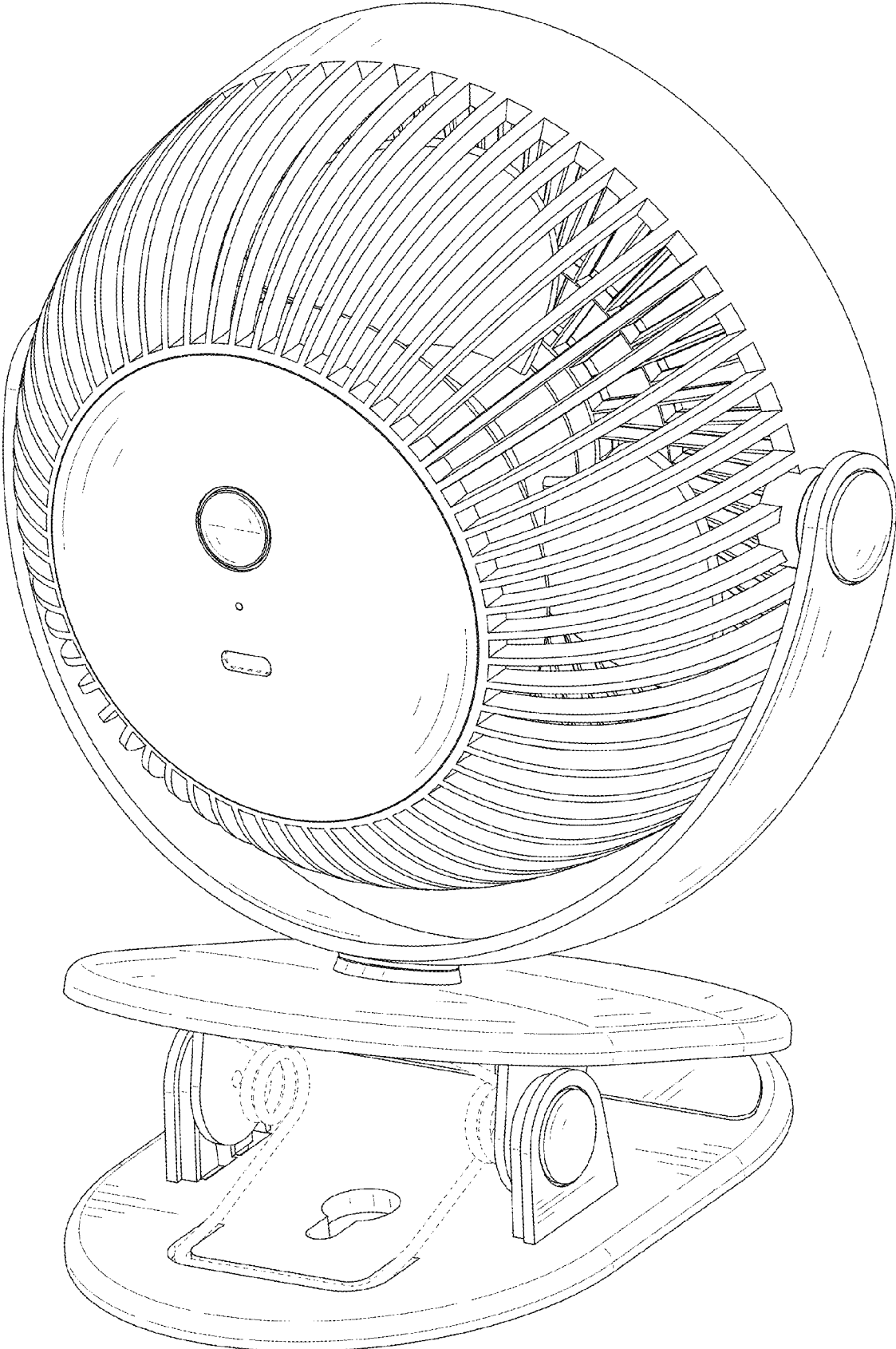


FIG. 3

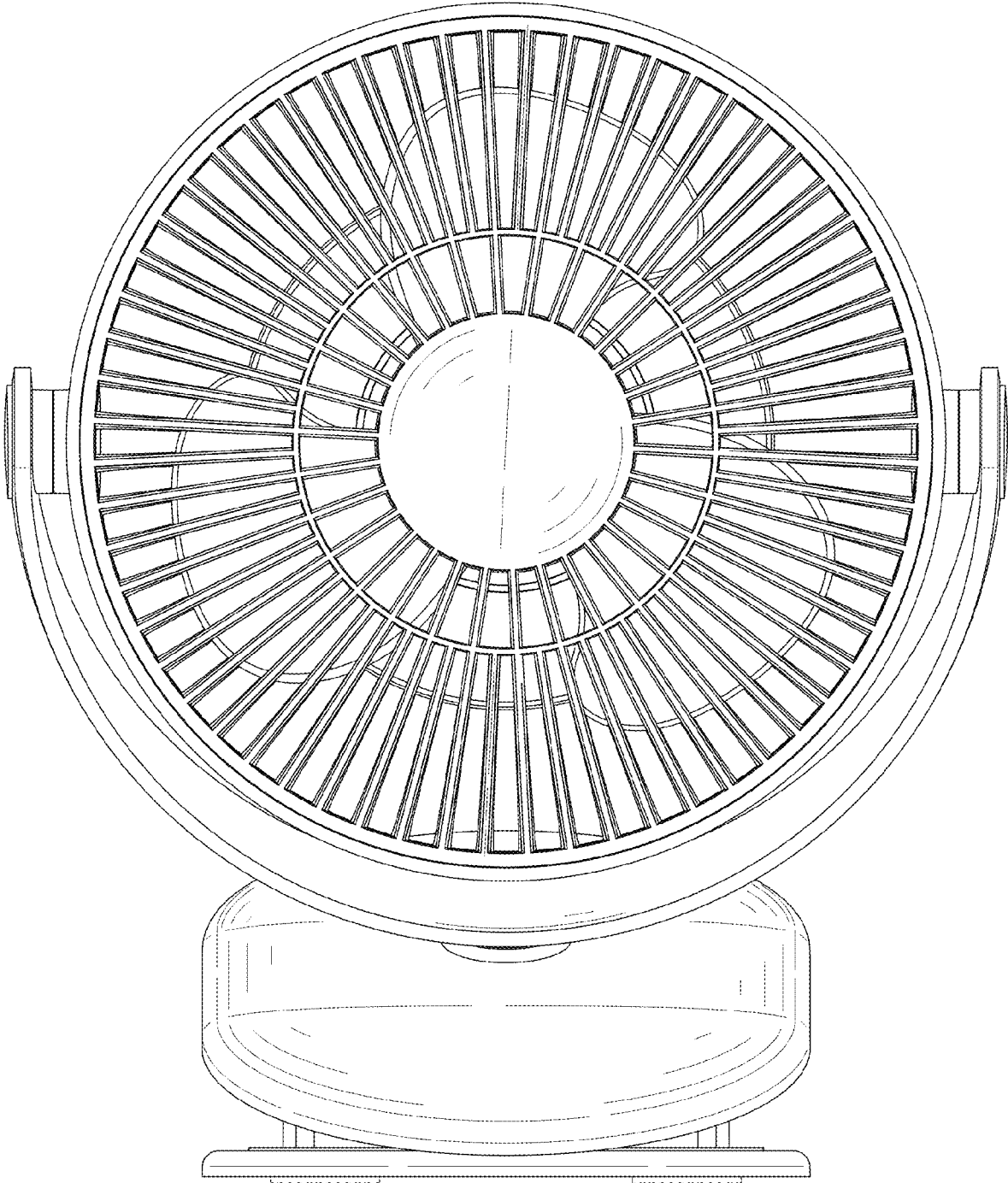


FIG. 4

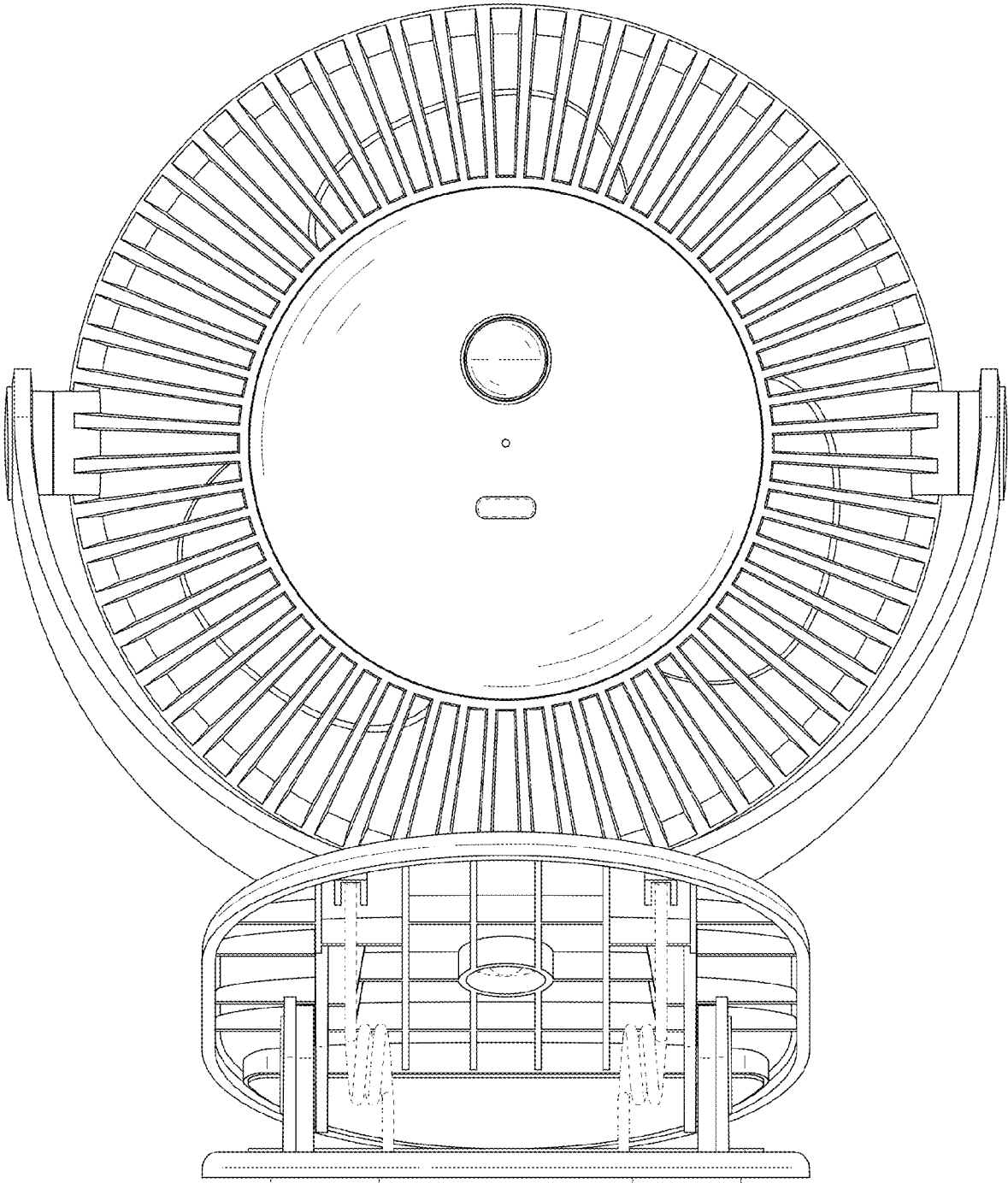


FIG. 5

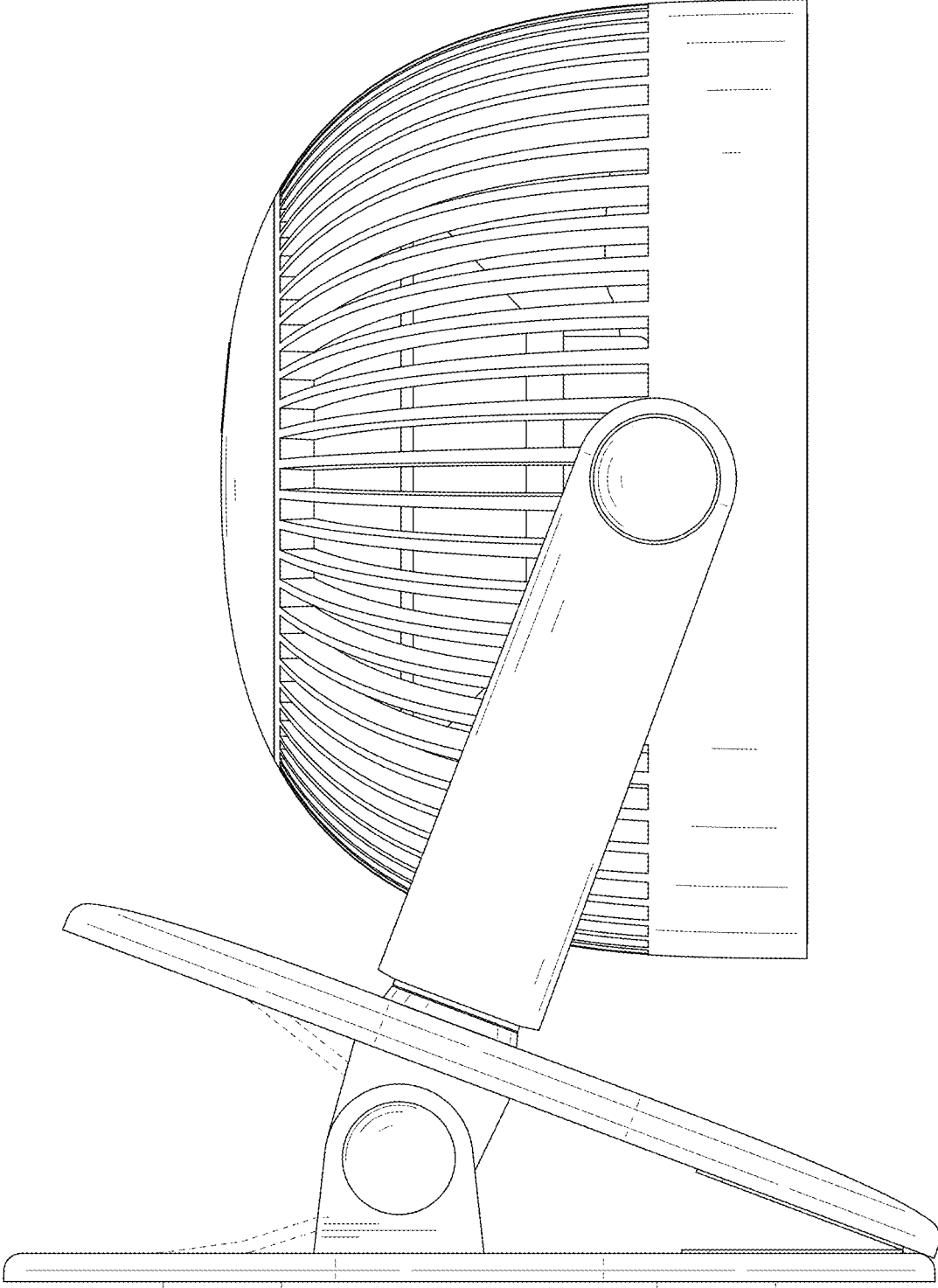


FIG. 6

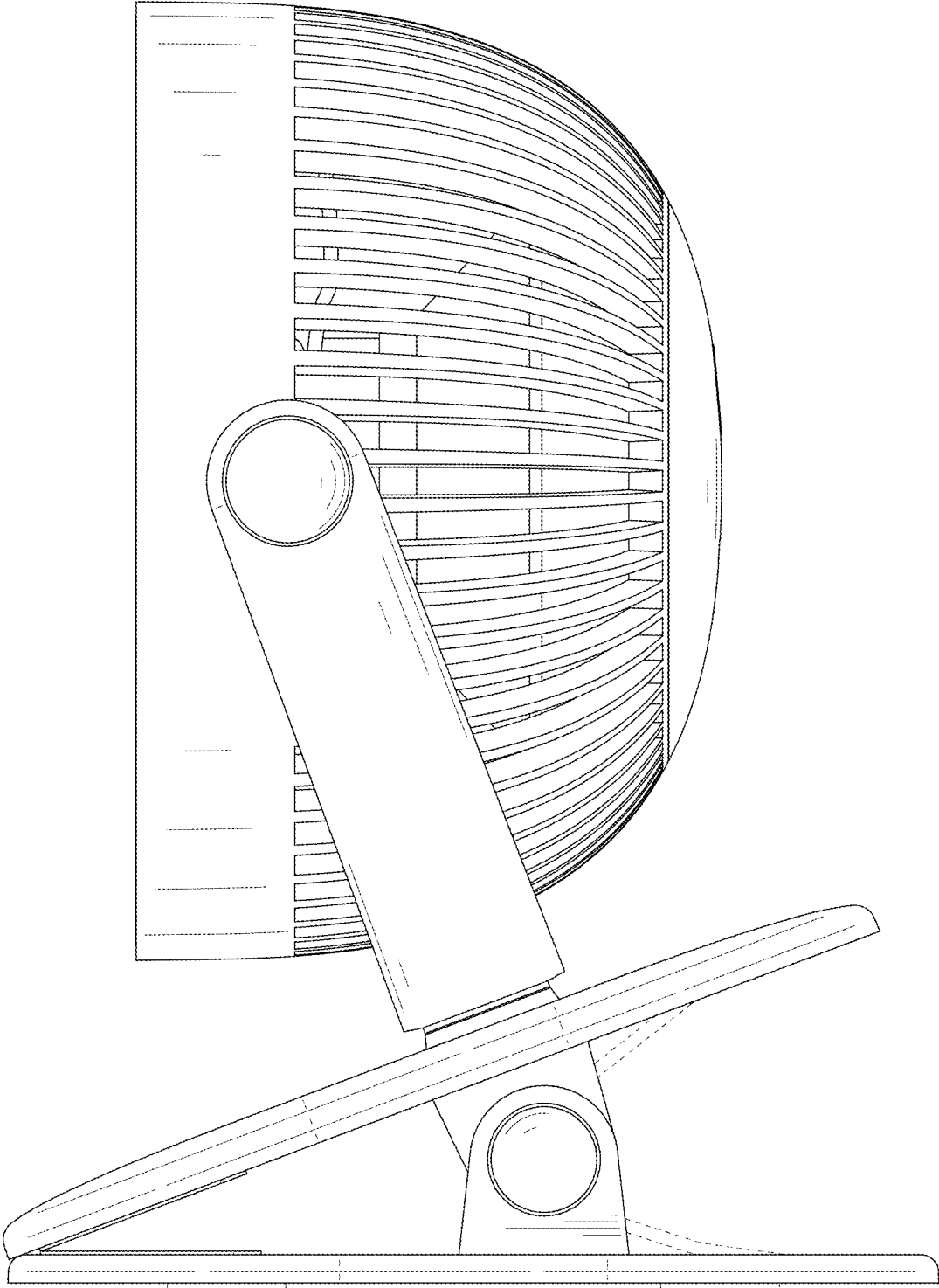


FIG. 7

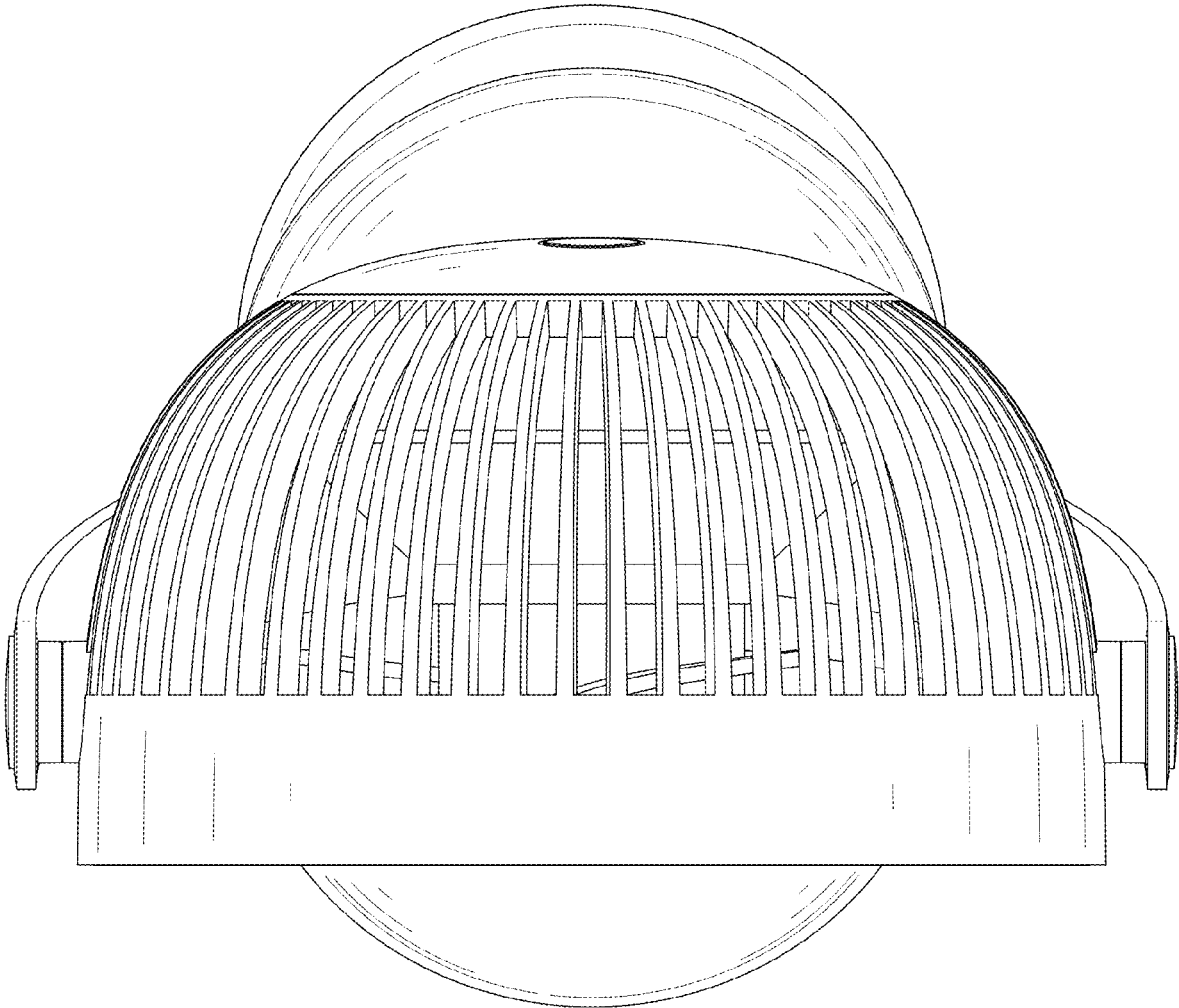


FIG. 8

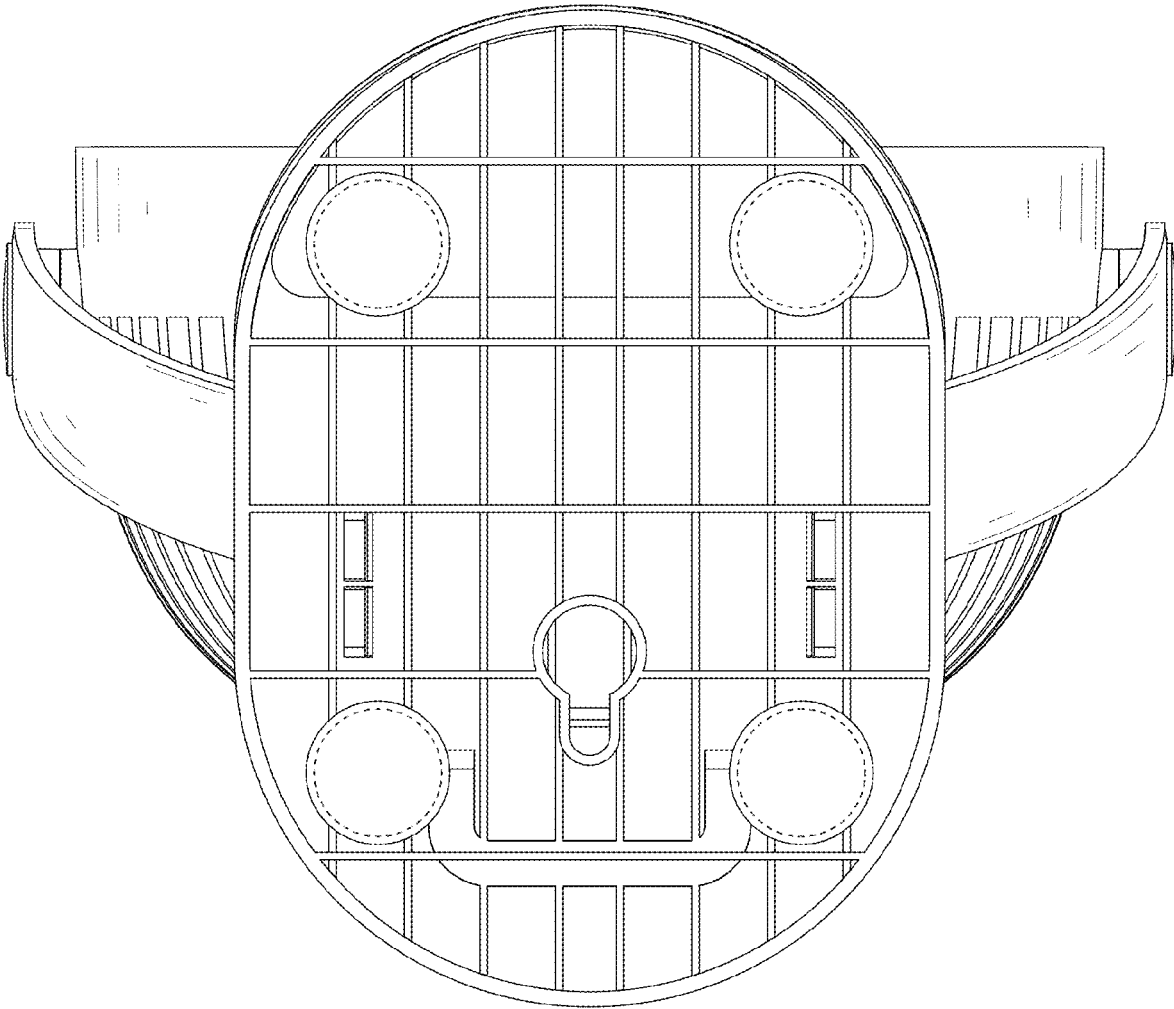


FIG. 9