



(12) **United States Design Patent**
Morrison

(10) **Patent No.:** **US D970,080 S**
(45) **Date of Patent:** **** Nov. 15, 2022**

- (54) **WALL LAMP**
- (71) Applicant: **FLOS S.P.A.**, Bovezzo (IT)
- (72) Inventor: **Jasper Morrison**, Brescia (IT)
- (73) Assignee: **FLOS S.p.A.**, Brescia (IT)
- (**) Term: **15 Years**
- (21) Appl. No.: **35/512,116**
- (22) Filed: **Jun. 17, 2021**
- (80) **Hague Agreement Data**
 Int. Filing Date: **Jun. 17, 2021**
 Int. Reg. No.: **DM/214919**
 Int. Reg. Date: **Jun. 17, 2021**
 Int. Reg. Pub. Date: **Jul. 2, 2021**

D493,246	S	*	7/2004	Benensohn	D26/89
D603,997	S	*	11/2009	Shiu	D26/72
D617,035	S	*	6/2010	Sabernig	D26/89
D633,231	S	*	2/2011	Morrison	D26/24
D642,727	S	*	8/2011	van den Akker	D26/85
D655,849	S	*	3/2012	Sabernig	D26/85
D656,264	S	*	3/2012	Janssen	D26/85
D666,764	S	*	9/2012	Gilad	D26/87
D676,181	S	*	2/2013	Sandell	D26/92
D694,459	S	*	11/2013	Fang	D26/92
D787,733	S	*	5/2017	Sonneman	D26/85
D810,344	S	*	2/2018	Verelst	D26/72
D813,437	S	*	3/2018	Verelst	D26/72
D827,180	S	*	8/2018	Mou	D26/85
D827,917	S	*	9/2018	Botti	D26/138
D872,336	S	*	1/2020	Ye	D26/71
D878,639	S	*	3/2020	Luo	D26/24
D880,045	S	*	3/2020	Clarkson	D26/106
D914,269	S	*	3/2021	Anastasiades	D26/88
D952,221	S	*	5/2022	Long	F21S 8/03
						D26/63
D960,400	S	*	8/2022	Ding	D26/70
2020/0309333	A1	*	10/2020	Weng	F21S 9/02
2020/0389954	A1	*	12/2020	Sinphay	F21S 8/03

- (30) **Foreign Application Priority Data**
 Jan. 19, 2021 (IT) 402021000000107
- (51) **LOC (13) Cl.** **26-05**
- (52) **U.S. Cl.**
 USPC **D26/72**
- (58) **Field of Classification Search**
 USPC D26/24, 72, 73, 75, 79, 85, 92
 CPC F21S 8/00; F21S 8/03; F21S 8/033; F21S
 8/036; F21S 13/02; F21S 9/02; F21V
 1/00; F21V 1/146
 See application file for complete search history.

* cited by examiner

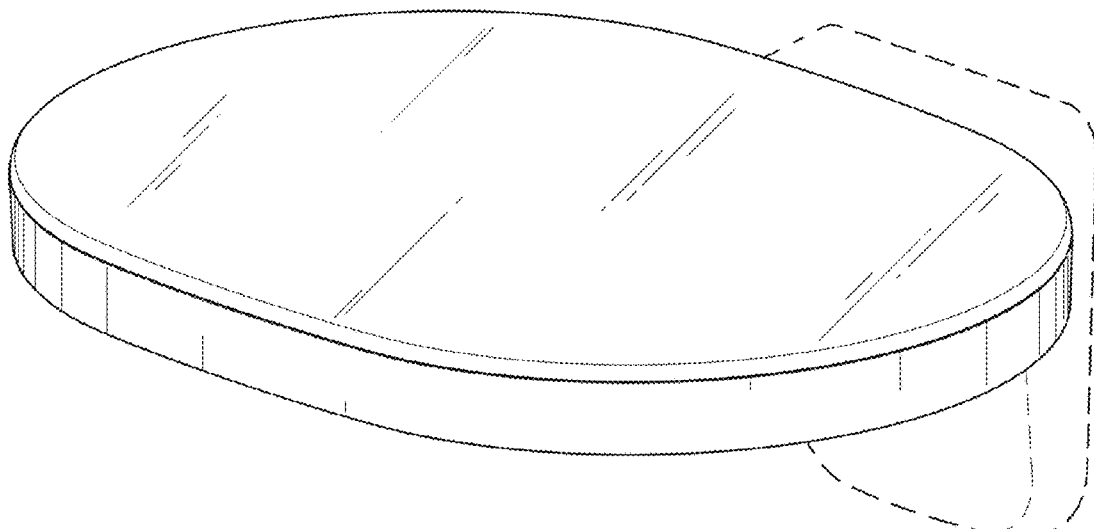
Primary Examiner — Steven J Czyz
 (74) *Attorney, Agent, or Firm* — Thomas | Horstemeyer, LLP

(57) **CLAIM**
 The ornamental design for wall lamp, as shown and described.

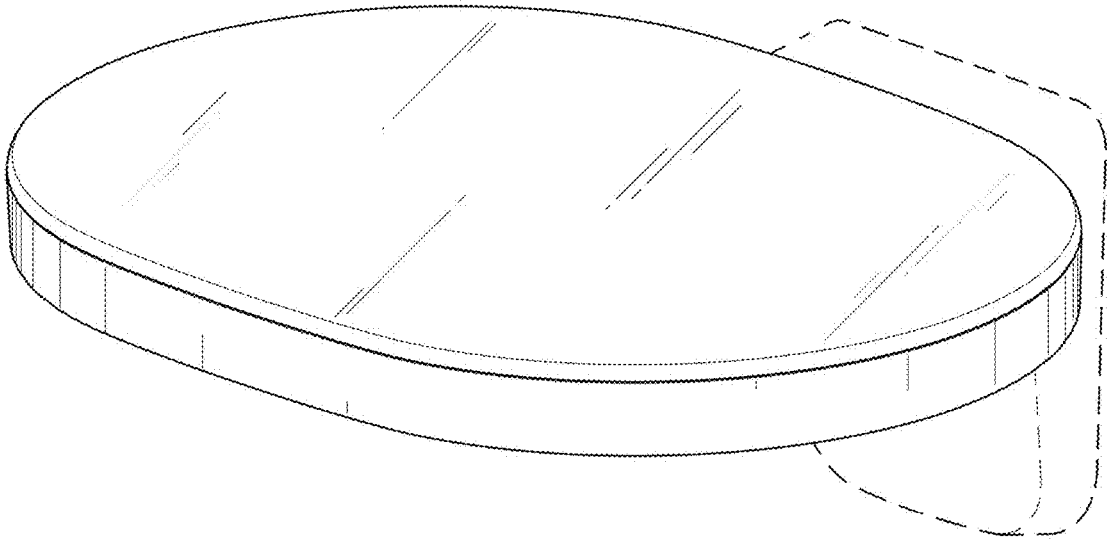
DESCRIPTION

1. Wall lamp
 fig. 1.1 is a perspective view of the claimed design; fig. 1.2 is a left view thereof; fig. 1.3 is a right view thereof; fig. 1.4 is a front view thereof; fig. 1.5 is a rear view thereof; fig. 1.6 is a top view thereof; fig. 1.7 is a bottom view thereof.
 The broken lines shown in the reproductions form no part of the claimed design.

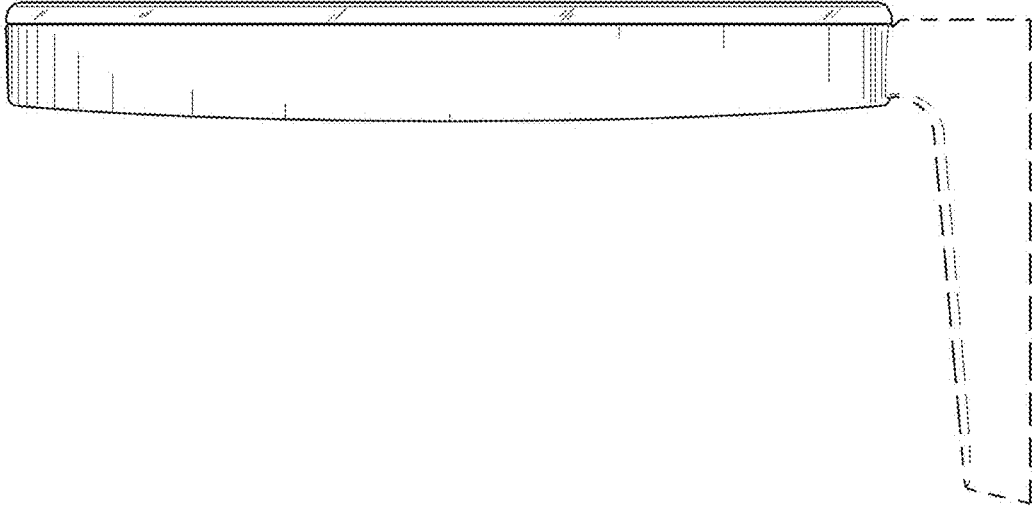
1 Claim, 7 Drawing Sheets



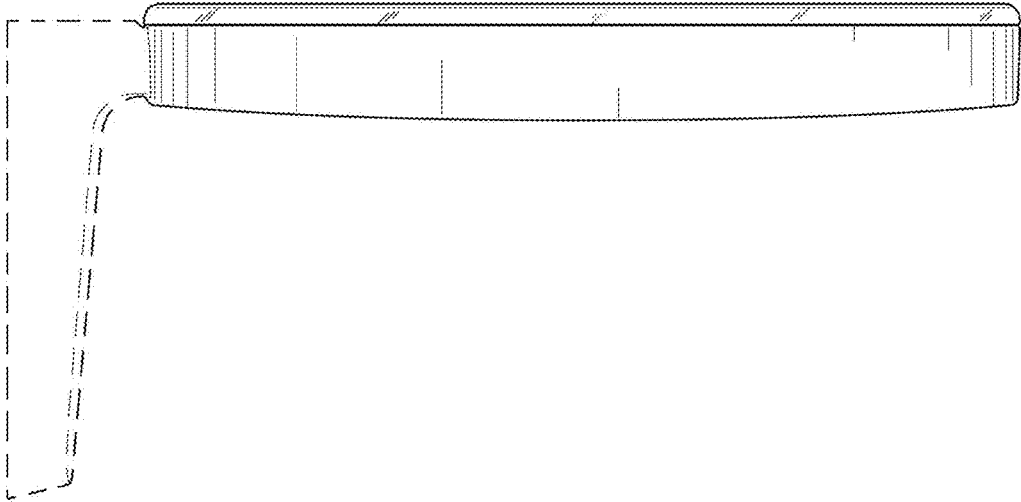
1.1



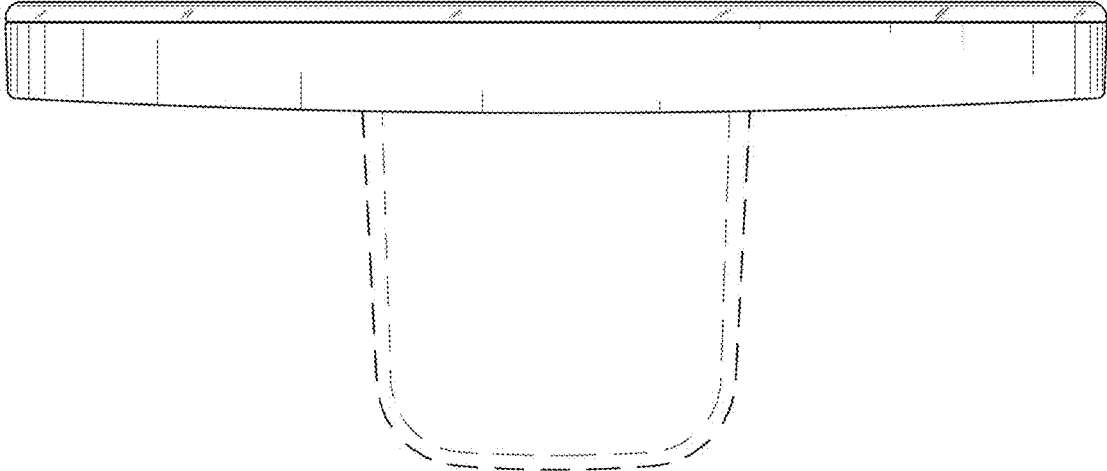
1.2



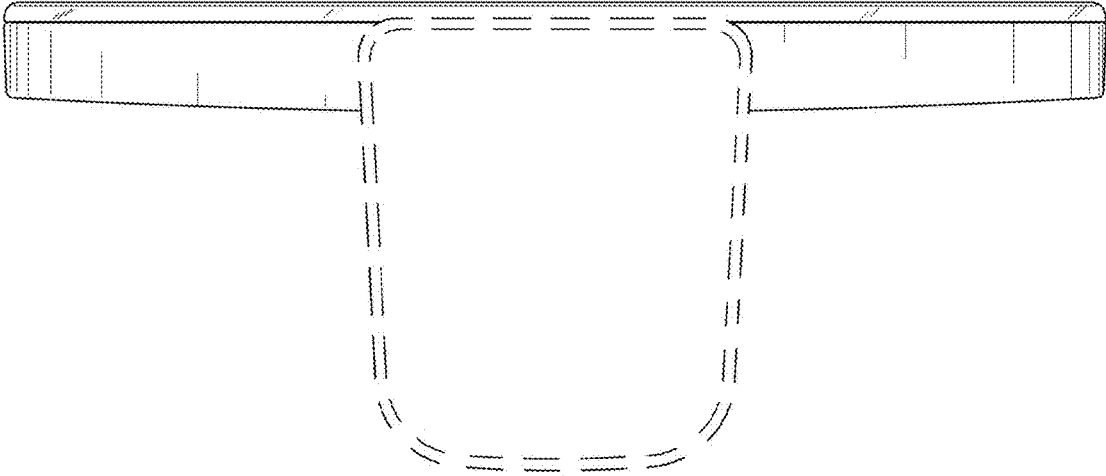
1.3



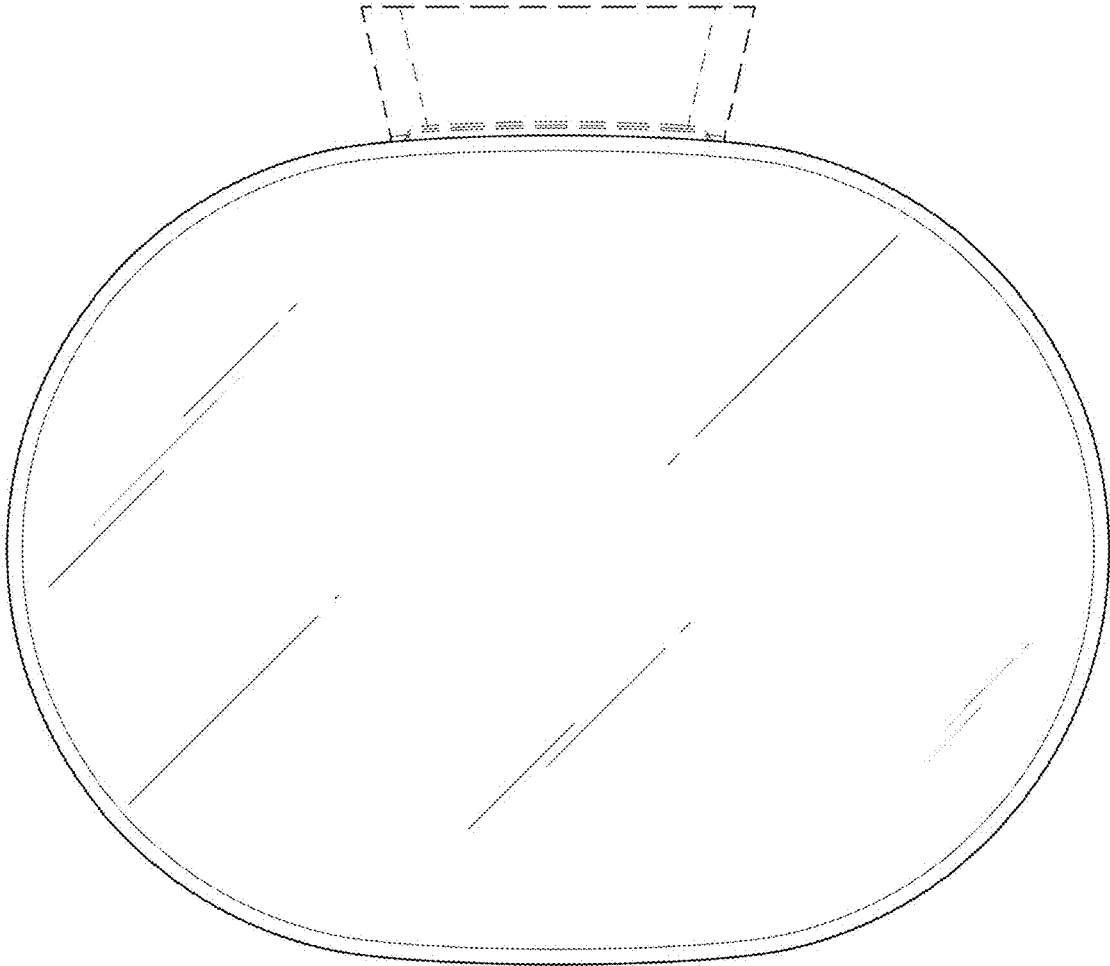
1.4



1.5



1.6



1.7

