



US00D948928S

(12) **United States Design Patent**
Chen

(10) **Patent No.:** **US D948,928 S**

(45) **Date of Patent:** **** Apr. 19, 2022**

(54) **WATER BOTTLE LID**

(71) Applicant: **Huifen Chen**, Shenzhen (CN)

(72) Inventor: **Huifen Chen**, Shenzhen (CN)

(**) Term: **15 Years**

(21) Appl. No.: **29/783,865**

(22) Filed: **May 16, 2021**

(51) **LOC (13) Cl.** **07-09**

(52) **U.S. Cl.**
USPC **D7/392.1; D9/435**

(58) **Field of Classification Search**
USPC D7/300, 306, 365, 376, 392, 392.1,
D7/396.2, 507, 509, 511, 607, 665, 666;
D9/434, 435, 439, 440, 443, 450
CPC A47G 19/2272
See application file for complete search history.

(56) **References Cited**

U.S. PATENT DOCUMENTS

D802,993 S *	11/2017	Joseph	D7/392.1
D870,508 S *	12/2019	Palkon	D7/392.1
D885,120 S *	5/2020	Yao	D7/392.1
D887,776 S	6/2020	Bo		
D896,024 S	9/2020	Wang et al.		

D896,573 S *	9/2020	Wu	D7/392.1
D899,181 S *	10/2020	Xie	D7/392.1
D922,135 S *	6/2021	Chen	D7/392.1
D934,623 S *	11/2021	Wang	D7/392.1
D939,271 S *	12/2021	Chen	D7/392.1
D942,208 S *	2/2022	Low	D9/450

* cited by examiner

Primary Examiner — S. Bryan Reinholdt, Jr.

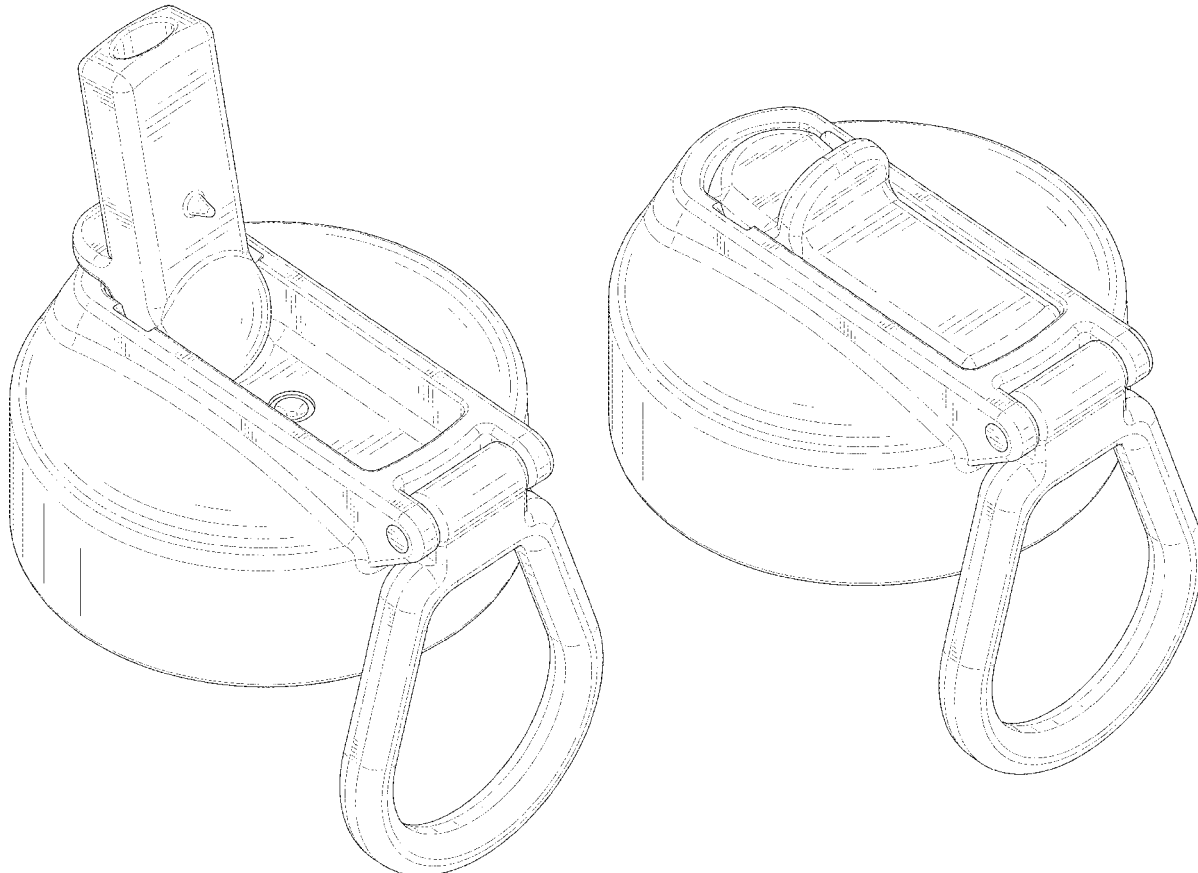
(57) **CLAIM**

The ornamental design for a water bottle lid, as shown and described.

DESCRIPTION

FIG. 1 is a perspective view of a water bottle lid showing my new design;
 FIG. 2 is another perspective view thereof;
 FIG. 3 is a front elevational view thereof;
 FIG. 4 is a rear elevational view thereof;
 FIG. 5 is a left side elevational view thereof;
 FIG. 6 is a right side elevational view thereof;
 FIG. 7 is a top plan view thereof;
 FIG. 8 is a bottom plan view thereof; and,
 FIG. 9 is a perspective view of the water bottle lid where the water bottle lid is in a configuration of use.
 The broken lines in the drawings depict portions of the water bottle lid that form no part of the claimed design.

1 Claim, 9 Drawing Sheets



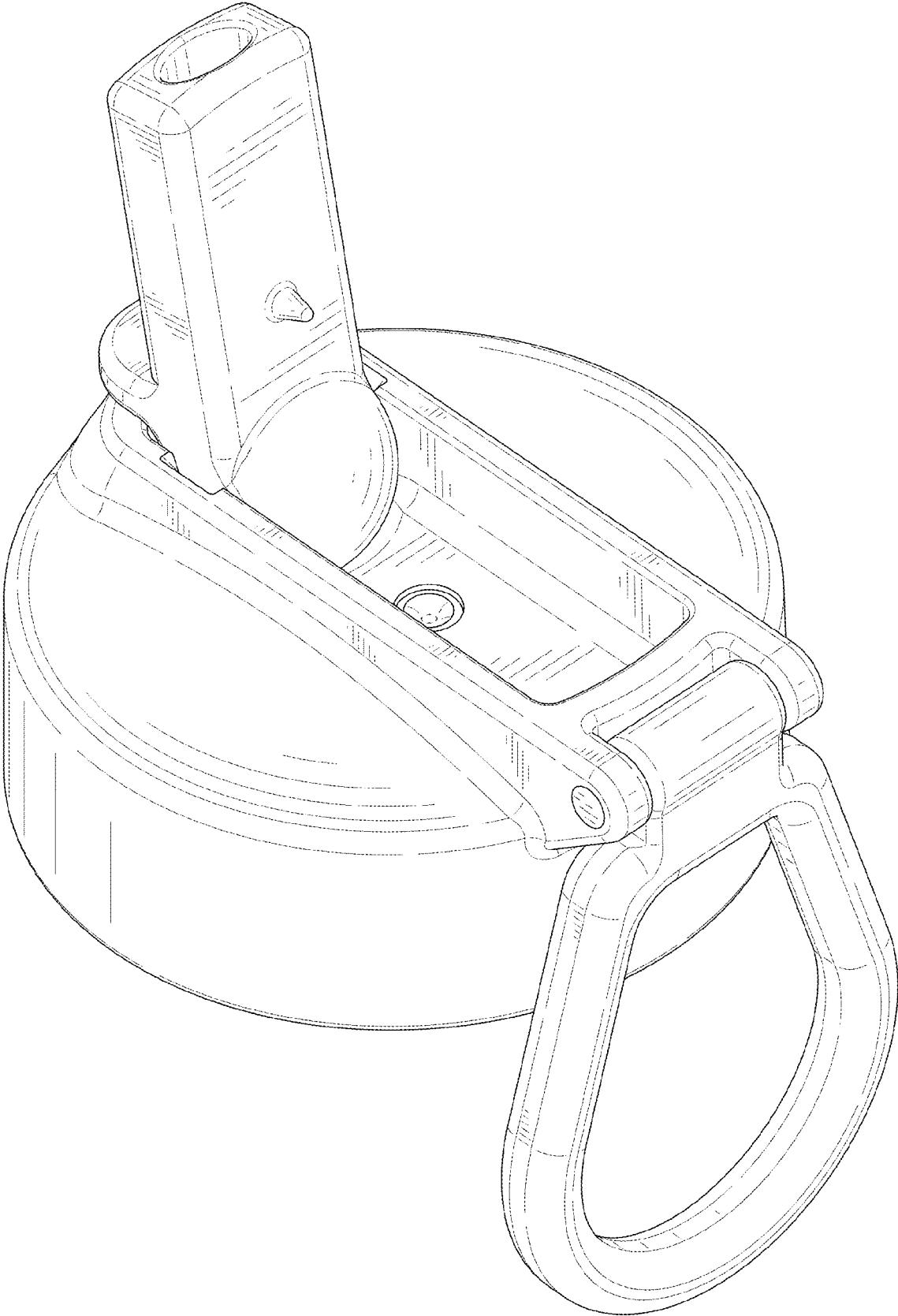


FIG. 1

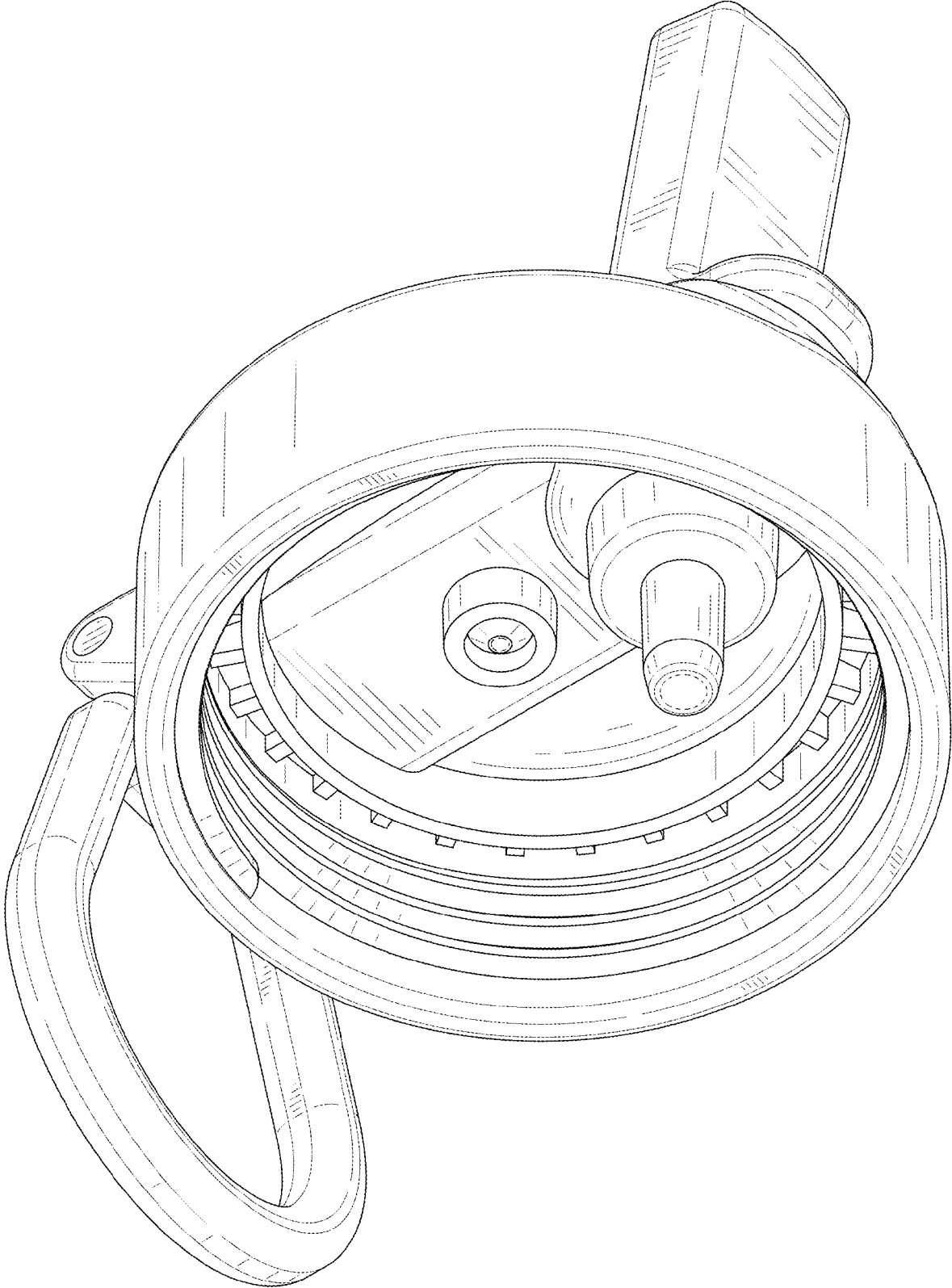


FIG. 2

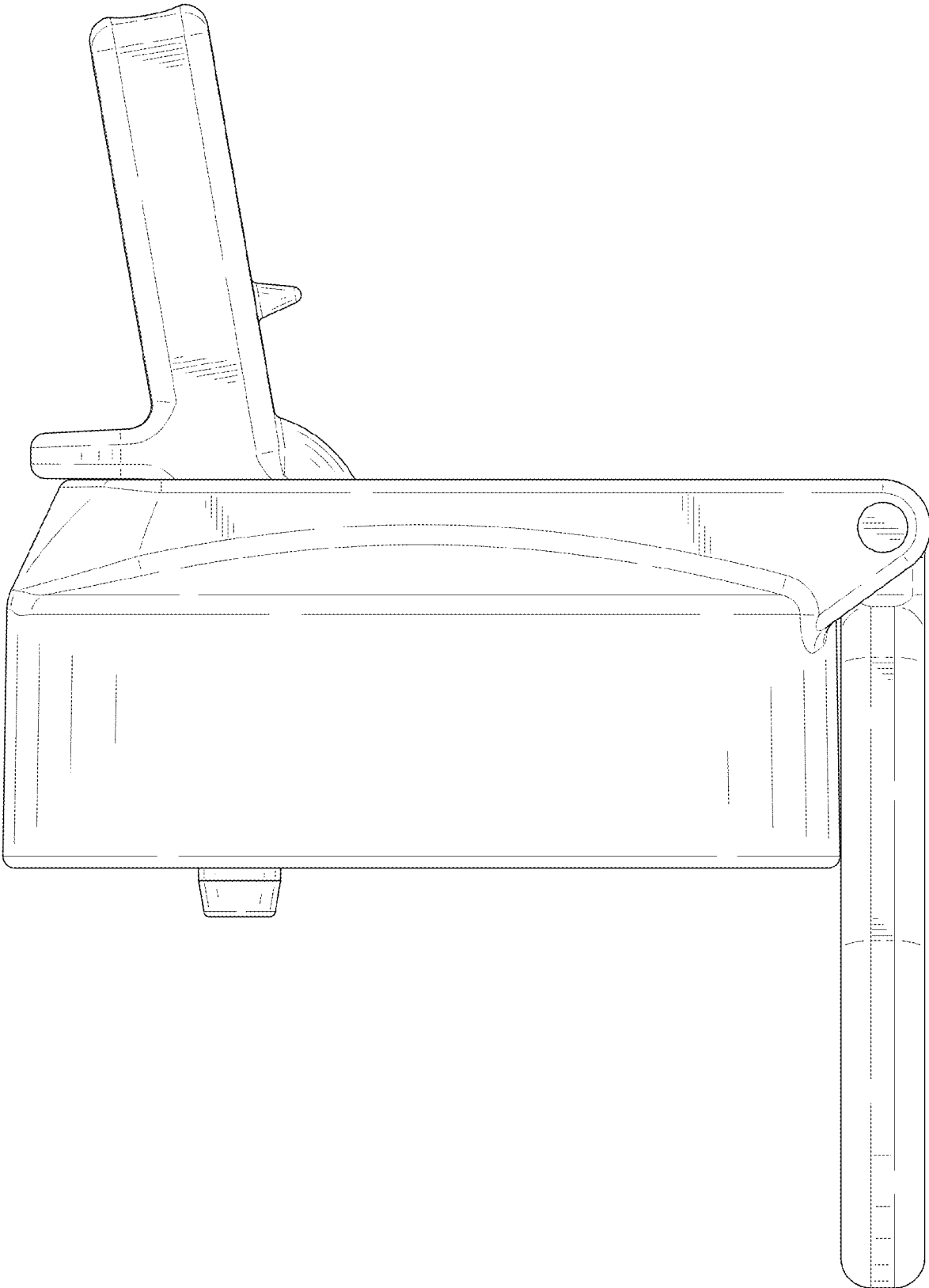


FIG. 3

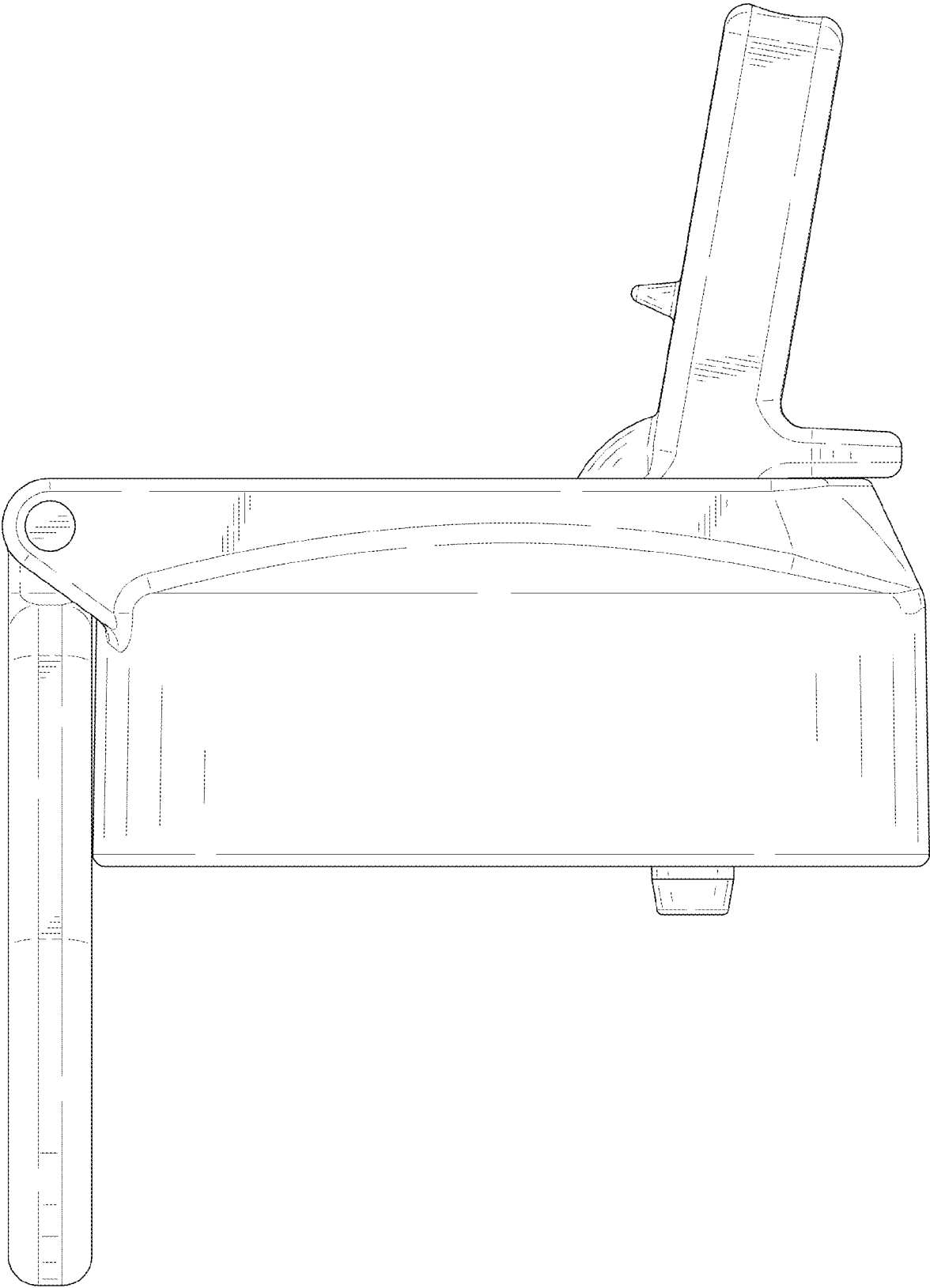


FIG. 4

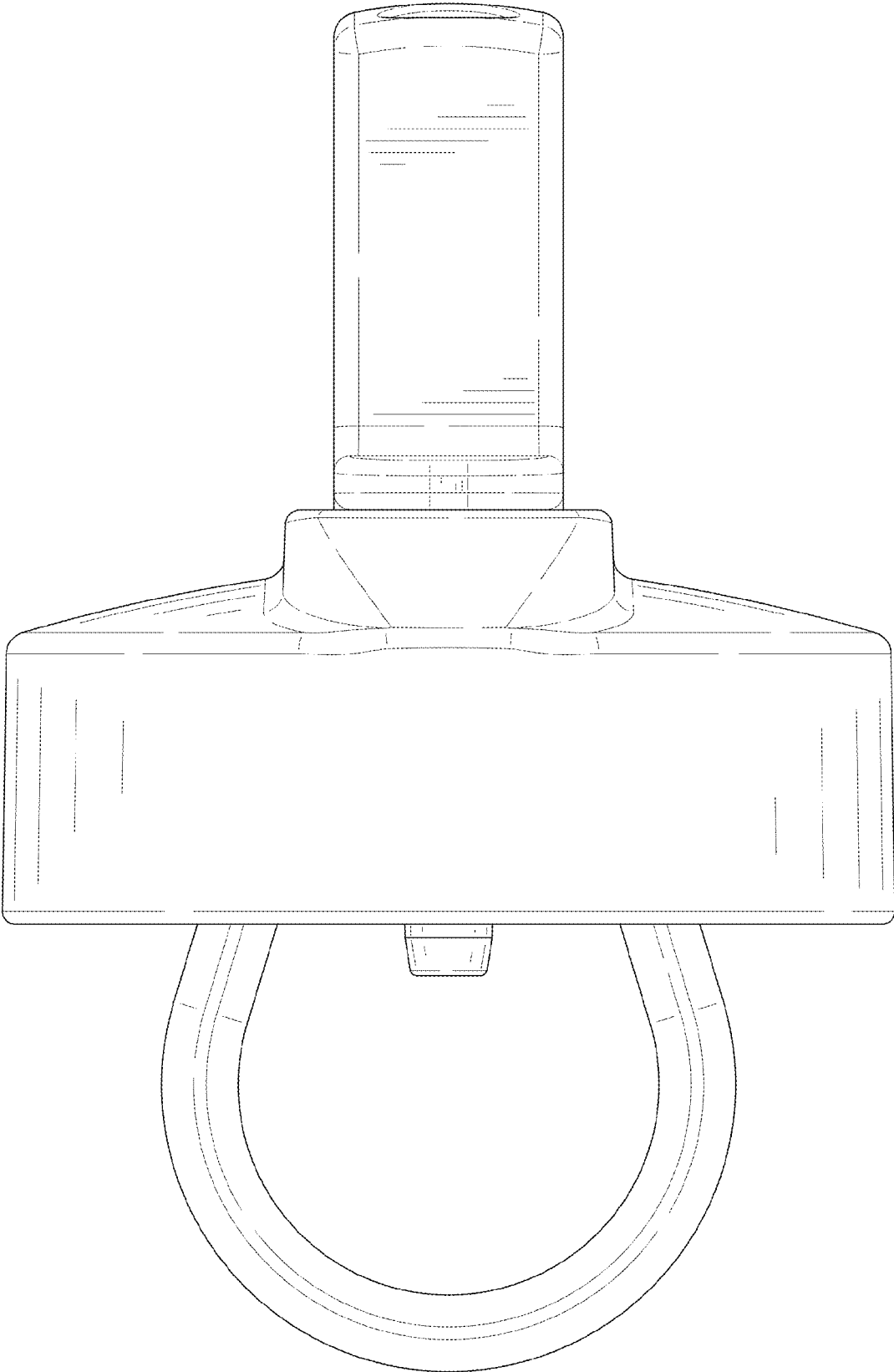


FIG. 5

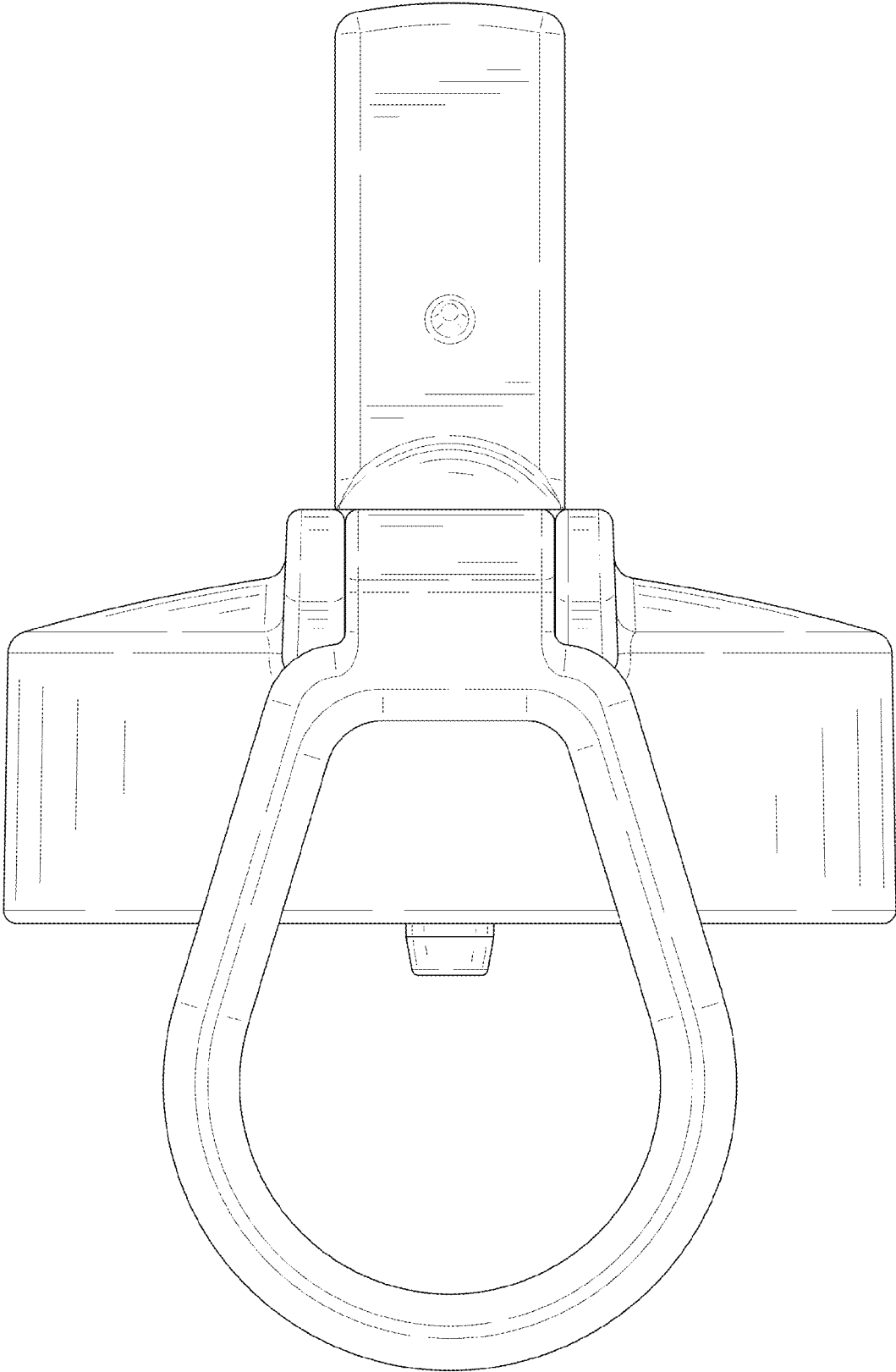


FIG. 6

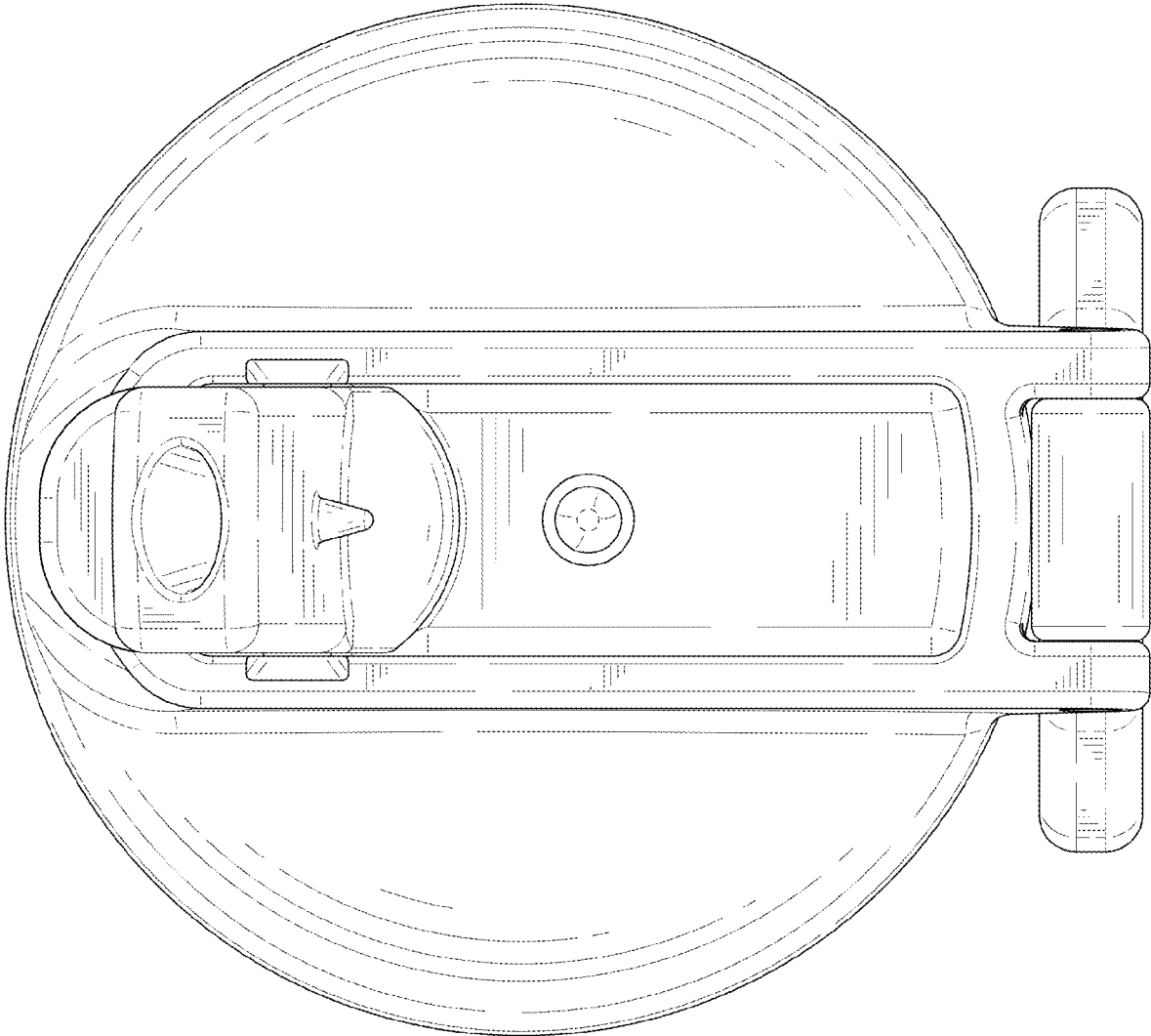


FIG. 7

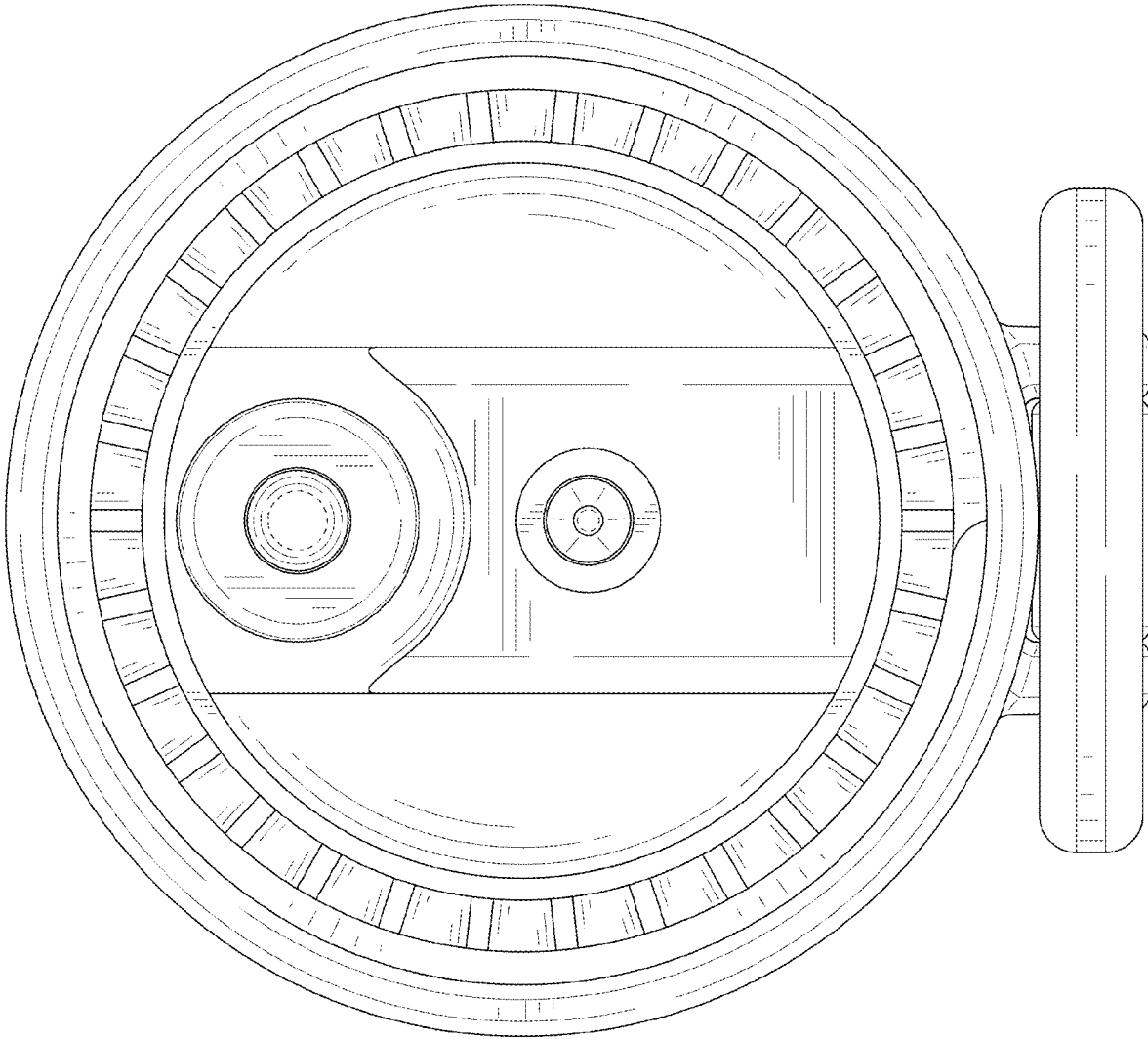


FIG. 8

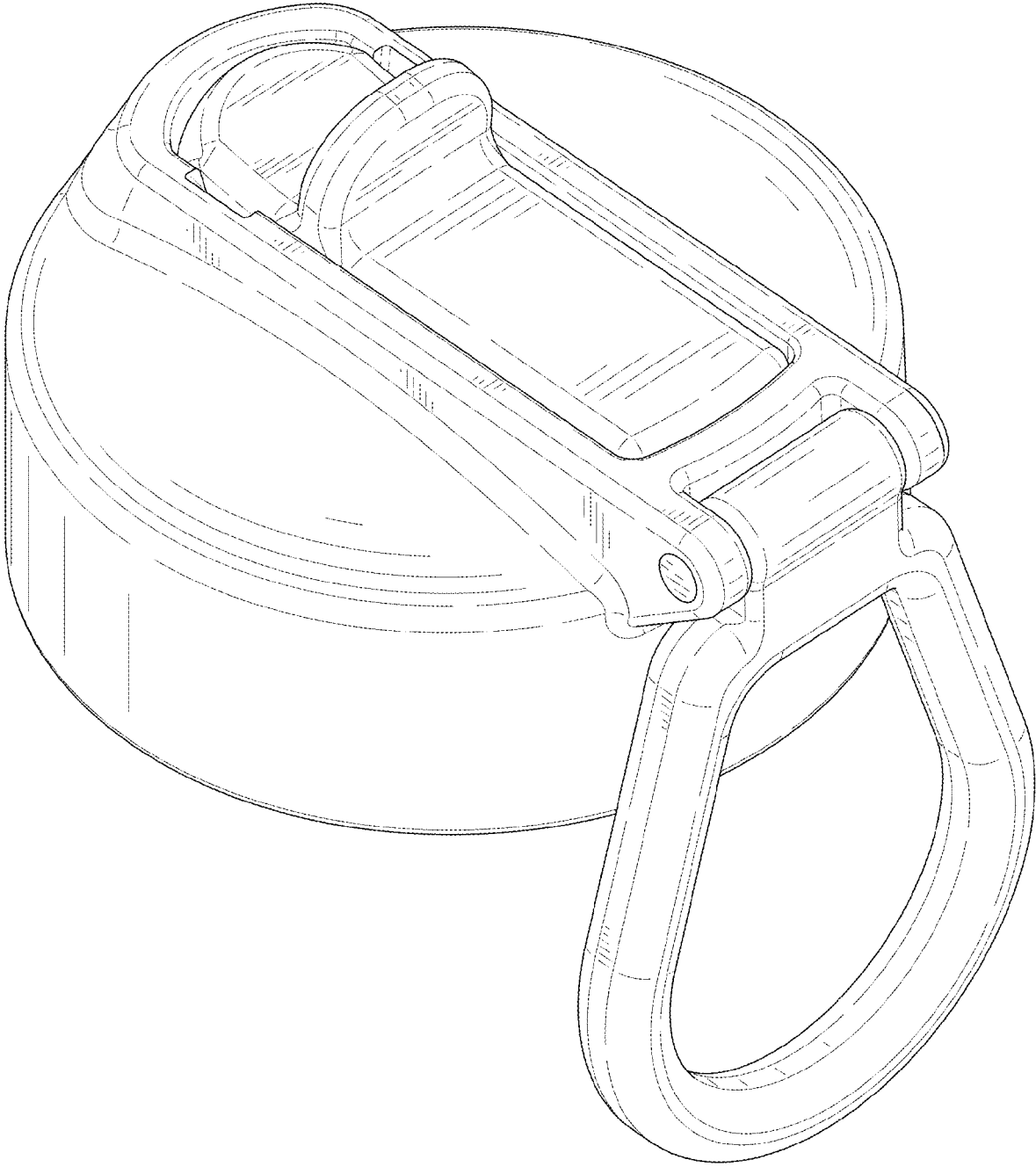


FIG. 9