



US00D651971S

(12) **United States Design Patent**
Esser et al.

(10) **Patent No.:** **US D651,971 S**

(45) **Date of Patent:** **** Jan. 10, 2012**

(54) **POWER CONNECTOR ASSEMBLY**

(75) Inventors: **Brian Esser**, Colchester, VT (US);
Angelo Mier, Colchester, VT (US)

(73) Assignee: **Husky Injection Molding Systems Ltd.**, Bolton (CA)

(**) Term: **14 Years**

(21) Appl. No.: **29/358,586**

(22) Filed: **Mar. 30, 2010**

(51) **LOC (9) Cl.** **13-03**

(52) **U.S. Cl.** **D13/133**

(58) **Field of Classification Search** D13/133,
D13/154, 155, 156, 184, 199; 439/135-141,
439/180, 252, 278, 374, 378, 380-381, 527,
439/529, 533, 892, 894

See application file for complete search history.

(56) **References Cited**

U.S. PATENT DOCUMENTS

D204,674 S * 5/1966 Trimble D13/133
D241,341 S * 9/1976 Oxley D13/133
D278,230 S * 4/1985 Kominiak et al. D13/133
5,591,366 A 1/1997 Schmidt et al.

6,256,881 B1 7/2001 Starkey
6,325,615 B1 12/2001 Johnson et al.
D473,524 S * 4/2003 Koehler D13/156
D524,738 S * 7/2006 Dobler D13/133
D528,506 S * 9/2006 Taguchi D13/133
D546,769 S * 7/2007 Sengupta et al. D13/151
D597,947 S * 8/2009 Ono D13/133

FOREIGN PATENT DOCUMENTS

WO 2007036017 A1 4/2007
WO 2007036018 A1 4/2007

* cited by examiner

Primary Examiner — Daniel Bui

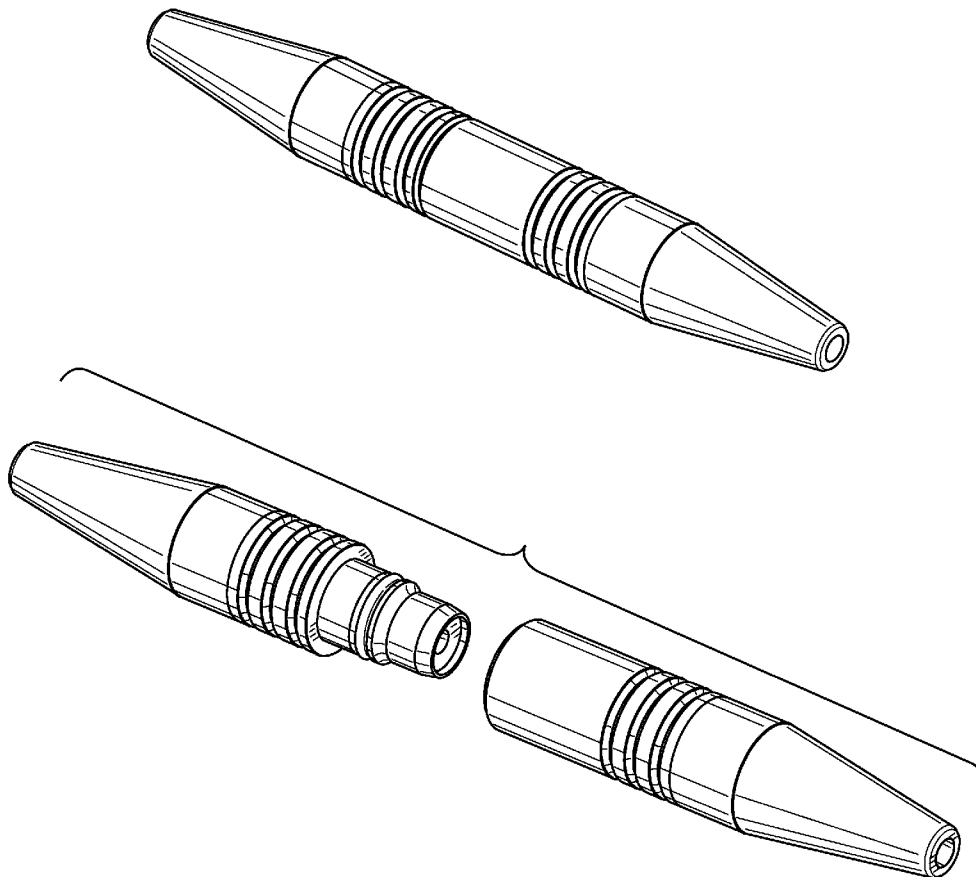
(57) **CLAIM**

The ornamental design for a power connector assembly, as shown and described.

DESCRIPTION

FIG. 1 is a perspective view of a power connector assembly, in a connected state, showing our new design;
FIG. 2 is an end elevation view thereof;
FIG. 3 is a side elevation view thereof;
FIG. 4 is a perspective view thereof, in a disconnected state;
FIG. 5 is a side elevation view thereof; and,
FIG. 6 is a perspective view, in an exploded view thereof.

1 Claim, 3 Drawing Sheets



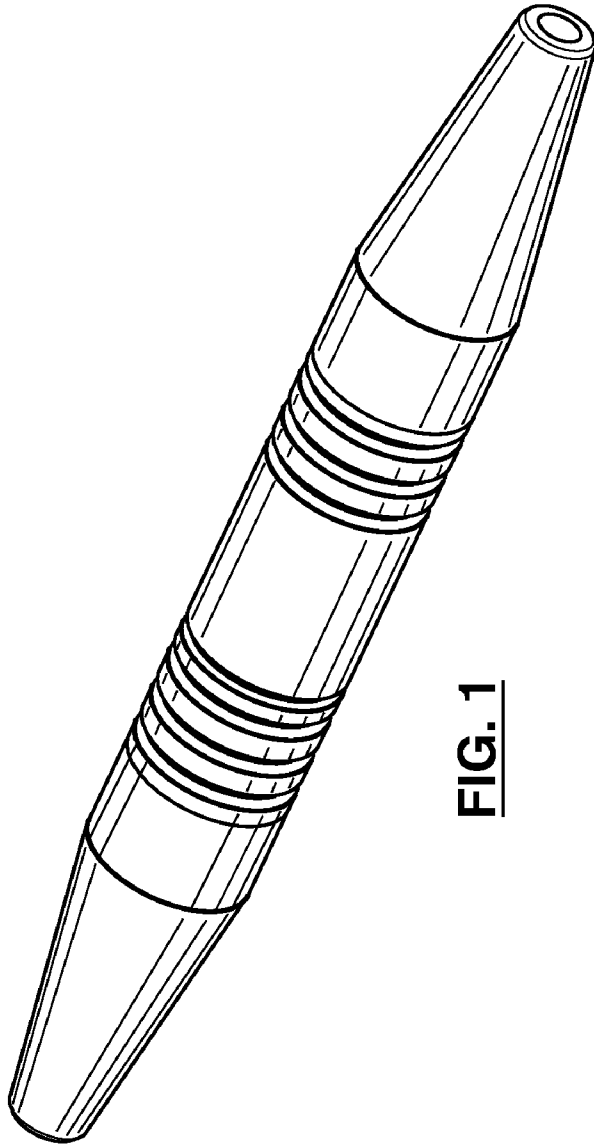


FIG. 1

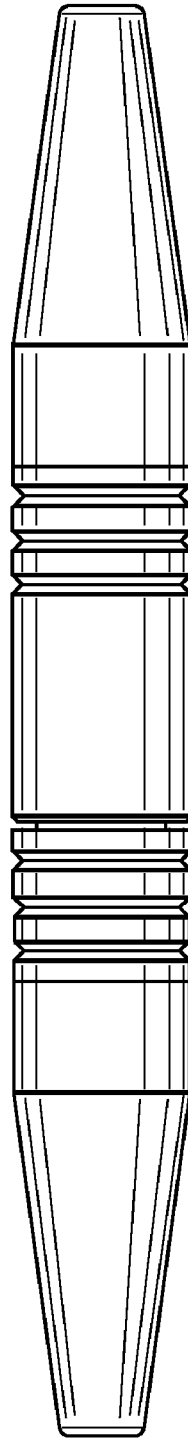


FIG. 3

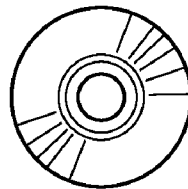


FIG. 2

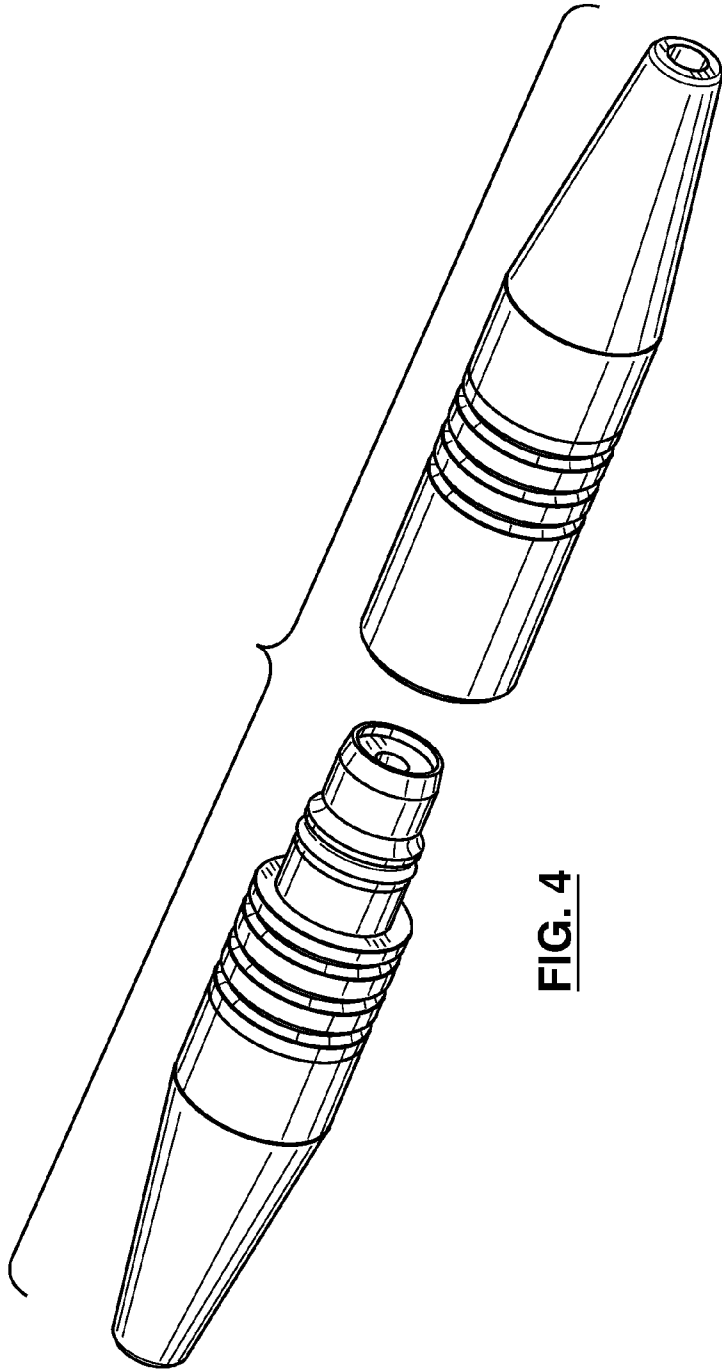


FIG. 4

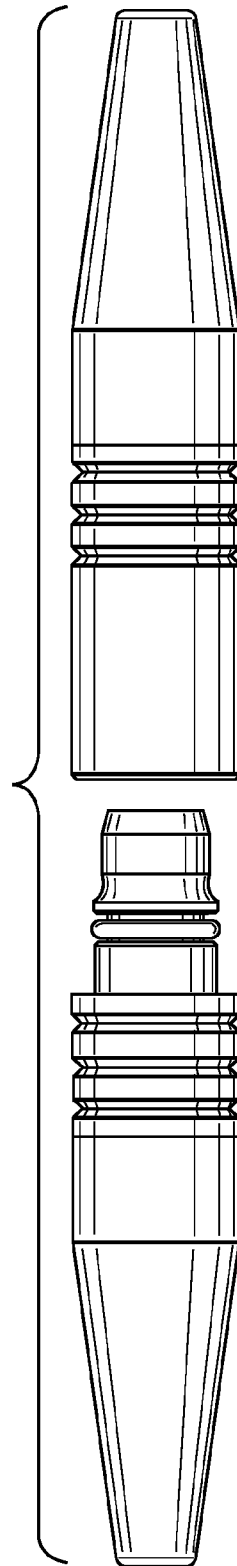


FIG. 5

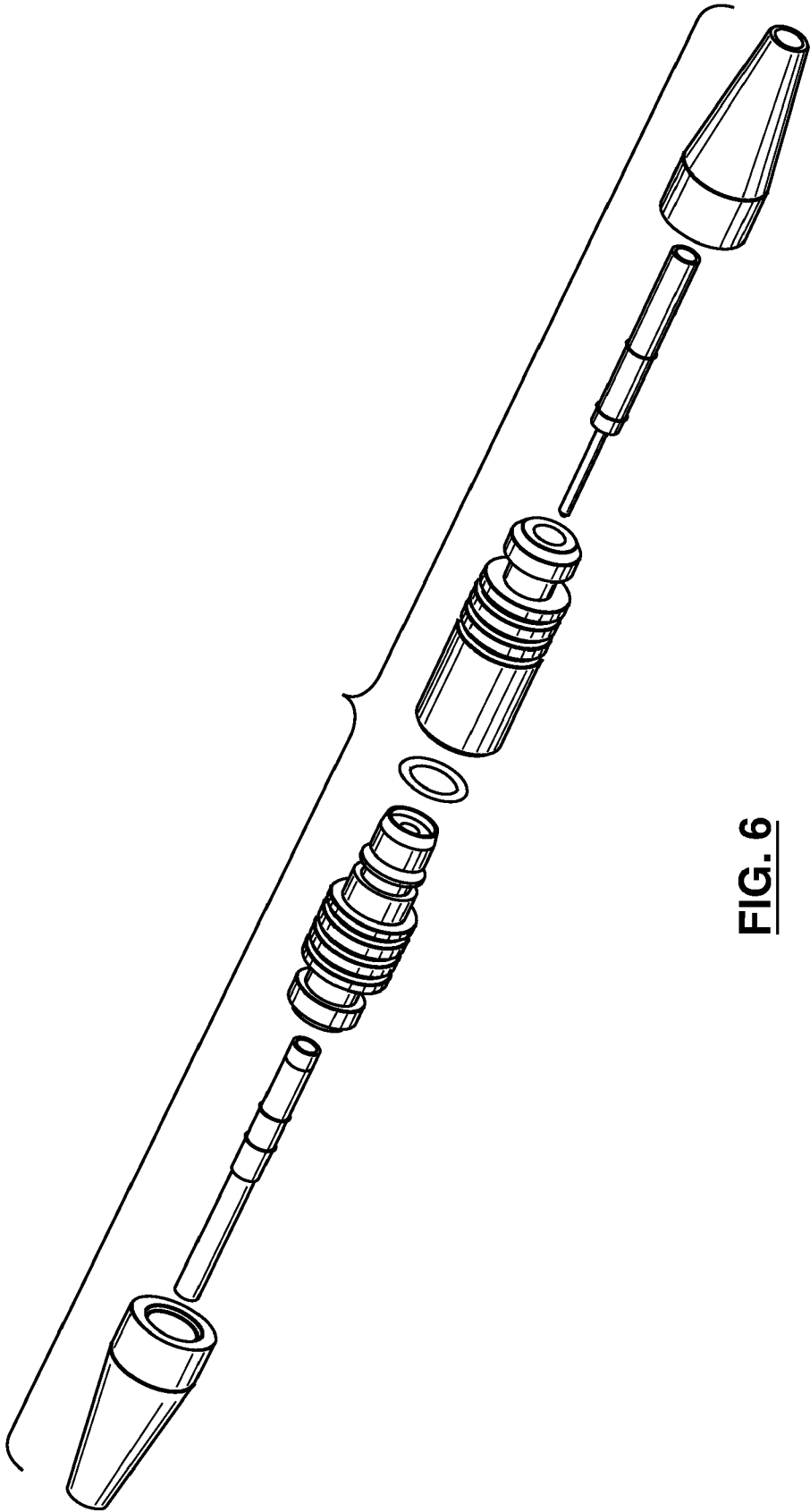


FIG. 6