



(86) Date de dépôt PCT/PCT Filing Date: 2018/01/17
 (87) Date publication PCT/PCT Publication Date: 2018/07/26
 (45) Date de délivrance/Issue Date: 2021/08/03
 (85) Entrée phase nationale/National Entry: 2019/07/16
 (86) N° demande PCT/PCT Application No.: US 2018/014071
 (87) N° publication PCT/PCT Publication No.: 2018/136529
 (30) Priorités/Priorities: 2017/01/17 (US62/447,308);
 2017/09/21 (US62/561,484); 2017/11/20 (US29/626,799);
 2017/11/20 (US29/626,802)

(51) Cl.Int./Int.Cl. *B60B 7/00* (2006.01),
B60B 7/02 (2006.01), *B60B 7/06* (2006.01),
B60B 7/14 (2006.01)
 (72) Inventeurs/Inventors:
 FLECK, JONATHAN E., US;
 CALHOUN, JOHN THOMAS, US
 (73) Propriétaire/Owner:
 MOOCHOUT LLC, US
 (74) Agent: GOWLING WLG (CANADA) LLP

(54) Titre : SUPPORT RAPIDE DE FLASQUE DE ROUES
 (54) Title: WHEEL COVER QUICK MOUNT



(57) **Abrégé/Abstract:**

Implementations disclosed and claimed herein provide a wheel cover system. In one implementation, an inward force exerted against a wheel cover of the wheel cover assembly in an inward direction towards the hub is received. The inward force overcomes a spring bias of a spring of the receiver and translates the wheel cover assembly in the inward direction. A first rotational force rotating the wheel cover assembly in a first direction is received. The first post guides and engages the first hook, and the second post guides and engages the second hook during rotation. A first positive feedback is generated in response to the inward force and the first rotational force. The wheel cover assembly is releaseably locked to the receiver by translating the wheel cover assembly in the outward direction using an outward force generated by the spring bias. The outward force provides a second positive feedback.

(12) INTERNATIONAL APPLICATION PUBLISHED UNDER THE PATENT COOPERATION TREATY (PCT)

(19) World Intellectual Property
Organization
International Bureau

(43) International Publication Date
26 July 2018 (26.07.2018)



(10) International Publication Number
WO 2018/136529 A1

(51) International Patent Classification:

B60B 7/00 (2006.01) *B60B 7/06* (2006.01)
B60B 7/02 (2006.01) *B60B 7/14* (2006.01)

(21) International Application Number:

PCT/US2018/014071

(22) International Filing Date:

17 January 2018 (17.01.2018)

(25) Filing Language:

English

(26) Publication Language:

English

(30) Priority Data:

62/447,308	17 January 2017 (17.01.2017)	US
62/561,484	21 September 2017 (21.09.2017)	US
29/626,802	20 November 2017 (20.11.2017)	US
29/626,799	20 November 2017 (20.11.2017)	US

(71) Applicant: MOOCHOUT LLC [US/US]; 425 Hall Avenue, St. Paul, Minnesota 55110 (US).

(72) Inventors: FLECK, Jonathan E.; 425 Hall Avenue, St. Paul, Minnesota 55110 (US). CALHOUN, John Thomas; 20989 Valley View Lane, Shafer, Minnesota 55074 (US).

(74) Agent: ELLIOTT, Taryn et al.; 900 W. 48th Place, Suite 900, Kansas City, Missouri 64112-1895 (US).

(81) Designated States (*unless otherwise indicated, for every kind of national protection available*): AE, AG, AL, AM, AO, AT, AU, AZ, BA, BB, BG, BH, BN, BR, BW, BY, BZ, CA, CH, CL, CN, CO, CR, CU, CZ, DE, DJ, DK, DM, DO, DZ, EC, EE, EG, ES, FI, GB, GD, GE, GH, GM, GT, HN, HR, HU, ID, IL, IN, IR, IS, JO, JP, KE, KG, KH, KN, KP, KR, KW, KZ, LA, LC, LK, LR, LS, LU, LY, MA, MD, ME, MG, MK, MN, MW, MX, MY, MZ, NA, NG, NI, NO, NZ, OM, PA, PE, PG, PH, PL, PT, QA, RO, RS, RU, RW, SA,

(54) Title: WHEEL COVER QUICK MOUNT

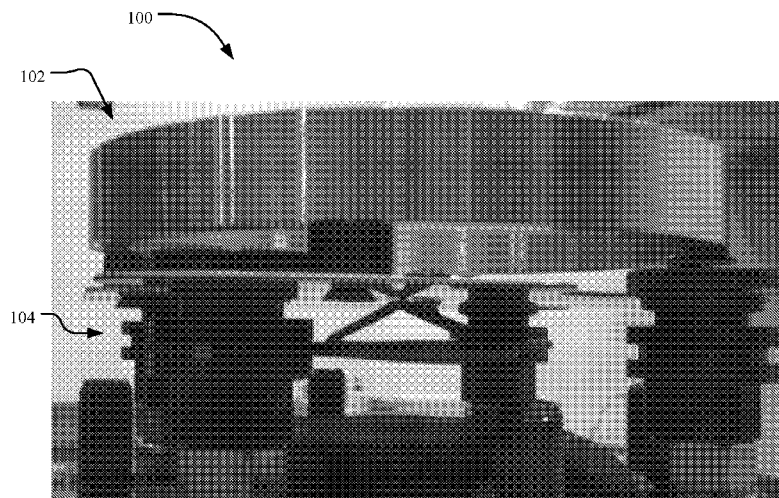


FIG. 1

(57) Abstract: Implementations disclosed and claimed herein provide a wheel cover system. In one implementation, an inward force exerted against a wheel cover of the wheel cover assembly in an inward direction towards the hub is received. The inward force overcomes a spring bias of a spring of the receiver and translates the wheel cover assembly in the inward direction. A first rotational force rotating the wheel cover assembly in a first direction is received. The first post guides and engages the first hook, and the second post guides and engages the second hook during rotation. A first positive feedback is generated in response to the inward force and the first rotational force. The wheel cover assembly is releaseably locked to the receiver by translating the wheel cover assembly in the outward direction using an outward force generated by the spring bias. The outward force provides a second positive feedback.

[Continued on next page]

WO 2018/136529 A1 

SC, SD, SE, SG, SK, SL, SM, ST, SV, SY, TH, TJ, TM, TN,
TR, TT, TZ, UA, UG, US, UZ, VC, VN, ZA, ZM, ZW.

- (84) Designated States** (*unless otherwise indicated, for every kind of regional protection available*): ARIPO (BW, GH, GM, KE, LR, LS, MW, MZ, NA, RW, SD, SL, ST, SZ, TZ, UG, ZM, ZW), Eurasian (AM, AZ, BY, KG, KZ, RU, TJ, TM), European (AL, AT, BE, BG, CH, CY, CZ, DE, DK, EE, ES, FI, FR, GB, GR, HR, HU, IE, IS, IT, LT, LU, LV, MC, MK, MT, NL, NO, PL, PT, RO, RS, SE, SI, SK, SM, TR), OAPI (BF, BJ, CF, CG, CI, CM, GA, GN, GQ, GW, KM, ML, MR, NE, SN, TD, TG).

Published:

- *with international search report (Art. 21(3))*

WHEEL COVER QUICK MOUNT

TECHNICAL FIELD

[0002] Aspects of the present disclosure relate to covers for motor vehicles wheels, and more particularly to systems and methods facilitating rapid mounting of a wheel cover having optimized aerodynamics to at least a portion of a wheel, such as the hub, tire, and/or axle, without the use of tools.

BACKGROUND

[0003] Wheel covers for vehicles (e.g., heavy trucks, trailers, or the like) typically streamline and keep wheels clean from dirt, rain, or other debris. Conventionally, wheel covers are installed by removing one or more lug nuts from the studs of a hub or wheel, placing the wheel cover on the studs, and screwing the lug nuts back onto the studs. Such conventional methods necessarily involve one or more tools, increasing the complexity and duration of wheel cover installation and removal. Further, many conventional wheel covers obstruct a view of the hub of the wheel during routine inspection and maintenance, requiring the wheel cover to be completely removed. Additionally, conventional wheel covers often include aerodynamic inefficiencies and/or include a significant number of components and/or material, resulting in wasted resources due to fuel consumption, manufacturing costs, installation/removal time, and/or the like. As such, conventional wheel covers are neither cost effective nor efficient in use. It is with these issues in mind, among others, that various aspects of the present disclosure were developed.

SUMMARY

[0004] Implementations described and claimed herein address the foregoing issues by providing a wheel cover system. In one implementation, a method includes covering a wheel of a vehicle with a wheel cover assembly. The wheel has a first stud and a second stud each extending in an outward direction away from a hub. A first post of a receiver is received in a first hook of an engagement plate of a wheel cover assembly, and the first post is engaged to the first stud. A second post of the receiver is received in a second hook of the engagement plate of the wheel cover assembly, and the second post is engaged to the second stud. An inward force exerted against a wheel cover of the wheel cover assembly in an inward direction towards the hub is received. The inward force overcomes a spring bias of a spring of the receiver and translates the wheel cover assembly in the inward direction. A first rotational force rotating the wheel cover assembly in a first direction is received. The first post guides and engages the first hook, and the second post guides and engages the second hook during rotation. A first positive feedback is generated in response to the inward force and the first rotational force. The wheel cover assembly is releaseably locked to the receiver by translating the wheel cover assembly in the outward direction using an outward force generated by the spring bias. The outward force provides a second positive feedback.

[0005] In another implementation, a wheel cover system covers a wheel of a vehicle with a wheel cover assembly. The wheel has a first stud and a second stud each extending in an outward direction away from a hub. A first post is engageable to the first stud. The first post has a first upper portion and a first lower portion, and the first upper portion is disposed outwardly from the first lower portion. A second post is engageable to the second stud. The second post has a second upper portion and a second lower portion, and the second upper portion is disposed outwardly from the second lower portion. A spring has a first hook and a second hook. The first hook is engaged to the first post, and the second hook is engaged to the second post. The spring has a spring bias configured to generate an outward force in the outward direction away from the hub at a spring engagement point. A first cap is disposed in the first upper portion of the first post, and a second cap is disposed in the second upper portion of the second post. The first post and the second post are configured to releaseably engage the wheel cover assembly with the spring, the first cap, and the second cap holding the wheel cover assembly in a locked position.

[0006] In another implementation, a wheel cover has an outer surface and an inner surface. The inner surface has a plate receiver. An engagement plate has a body mounted to the plate receiver, and the body extends between a peripheral edge. A first hook is defined in the peripheral edge of the body, and the first hook is configured to releaseably engage a first post of a receiver. A second hook is defined in the peripheral edge of the body, and the second hook is configured to releaseably engage a second post of a receiver.

[0007] Other implementations are also described and recited herein. Further, while multiple implementations are disclosed, still other implementations of the presently disclosed technology will become apparent to those skilled in the art from the following detailed description, which shows and describes illustrative implementations of the presently disclosed technology. As will be realized, the presently disclosed technology is capable of modifications in various aspects, all without departing from the spirit and scope of the presently disclosed technology. Accordingly, the drawings and detailed description are to be regarded as illustrative in nature and not limiting.

BRIEF DESCRIPTION OF THE DRAWINGS

[0008] FIG. 1 illustrates an example wheel cover system.

[0009] FIG. 2 shows an example receiver of the wheel cover system mounted on a hub of a wheel.

[0010] FIGS. 3A-3C illustrate detailed side views of an example post, an example short post, and an example long post, respectively, of a receiver.

[0011] FIGS. 4A-4C are a side view of a receiver including an example spring, an isometric view of the spring, and a side view of the spring, respectively.

[0012] FIGS. 5A-5B show an example wheel cover assembly and an engagement plate, respectively.

[0013] FIG. 6 depicts the wheel cover assembly mounted to the receiver.

[0014] FIG. 7 shows another example of the wheel cover assembly.

[0015] FIG. 8 illustrates an example engagement plate coupled to a wheel cover.

- [0016] FIGS. 9A-B are a side view and a detailed side view, respectively, of an example wheel cover system.
- [0017] FIGS. 10-14 illustrate example steps for installing a wheel cover to a wheel.
- [0018] FIG. 15 is an example post of a receiver having a square drive.
- [0019] FIG. 16 is a top perspective view of an example wheel cover for rear wheels on a vehicle with a cover cap removed.
- [0020] FIGS. 17A-B are detailed views of a cover cap receiver and a cover cap, respectively.
- [0021] FIG. 18 is a top view of an example integrated wheel cover.
- [0022] FIGS. 19A-C are a bottom view and isometric view, respectively, of an example backing of a wheel cover.
- [0023] FIG. 19C shows an example engagement plate installed onto the backing.
- [0024] FIG. 20 is an exploded view of an example wheel cover system for a rear wheel of a vehicle.
- [0025] FIG. 21 is an exploded view of an example wheel cover system for a front wheel of a vehicle.
- [0026] FIG. 22 is a side view of an example post for the wheel cover system of FIG. 21.
- [0027] FIGS. 23A-24B are an isometric view, an exploded isometric view, a side view, and a top view, respectively, of a spring assembly for the wheel cover system of FIG. 21.
- [0028] FIGS. 25A-25B are a top view and an isometric view, respectively, of an example engagement plate for the wheel cover system of FIG. 21.
- [0029] FIGS. 26A-28B are a top view, a top isometric view, a bottom view, a bottom isometric view, a side view, and a bottom isometric transparent view, respectively, of an example wheel cover for the wheel cover system of FIG. 21.

[0030] FIGS. 29A-C are an isometric top view, side view, and bottom view, respectively of an example cover cap for the wheel cover system of FIG. 21.

[0031] FIG. 30 illustrates example operations for installing a wheel cover assembly onto a receiver.

[0032] FIG. 31 illustrates example operations for removal of a wheel cover assembly from a receiver.

[0033] FIG. 32 show an example wheel cover system mounted on a wheel of a vehicle with the wheel cover removed.

[0034] FIG. 33A illustrates an example wheel cover system mounted on a rear wheel of a vehicle.

[0035] FIG. 33B illustrates an example wheel cover system mounted on a front wheel of a vehicle.

DETAILED DESCRIPTION

[0036] Aspects of the present disclosure involve systems and methods facilitating rapid mounting of a wheel cover having optimized aerodynamics to at least a portion of a wheel, such as the hub, tire, and/or axle, without the use of tools. As described herein, the presently disclosed technology provides a wheel cover system that is low cost, lightweight, durable, easily-installed, low maintenance, and provides optimized aerodynamics resulting in fuel cost savings. More particularly, the wheel cover system provides an aerodynamic shape generating an optimized miles per gallon of fuel savings for a vehicle. Further, the wheel cover system is lightweight with minimal parts and can be completely installed in a minute or less with routine inspections performable in seconds. The wheel cover system may be customized for a front wheel addressing the paddle-wheel effect of the vehicle's front wheel studs. Other advantages and features of the presently disclosed technology will be apparent from the present disclosure.

[0037] In one aspect, the wheel cover system includes a receiver comprising a spring installed onto a plurality of posts configured to receive a wheel cover. The wheel cover includes an engagement plate with hooks and grooves. To install the wheel cover, the wheel cover is aligned with the posts and spring until larger grooves are positioned near each post. An inward force is exerted onto the wheel cover to compress the spring, and the wheel cover is twisted to

engage the smaller grooves around the posts. When the wheel cover is released, the spring translates the wheel cover outwards, thereby providing a positive feedback to the installer and locking the engagement plate against the caps of each post. The spring bias in combination with a change in diameters of radius cuts in the engagement plate and steps in the posts prevent the wheel cover from disengaging from the receiver by rotating clockwise or counter-clockwise. Once engaged, a cap may be removed from the wheel cover for quick routine maintenance of the wheel. To remove the wheel cover, the inward force is applied, overcoming the spring bias, and the wheel cover is rotated until disengaged from the receiver.

[0038] To begin a detailed description of an example wheel cover system 100, reference is made to FIG. 1. In one implementation, the wheel cover system 100 includes a receiver 104 configured to receive and engage a wheel cover assembly 102. Stated differently, the cover assembly 102 is configured to couple a wheel cover to a hub of a wheel via the receiver 104. The cover assembly 102 may be multiple pieces coupled to each other or one integral, singular piece.

[0039] As can be understood from FIGS. 2-4C, in one implementation, the receiver 104 is installed onto a plurality of studs 202 of a hub 200. The receiver 104 includes a spring 204 connected to a plurality of posts 206. As shown in FIG. 2, each of the posts 206 is engaged to and extends outwardly from one of the studs 202. A spacer 210 and a lug nut 208 may also be installed on each of the studs 202, providing additional clearance height to each of the posts 206. The spacer 210 and the lug nut 208 may be disposed proximal to the hub 200 from the post 206. It will be appreciated that any number of posts 206 may be included depending on arrangement of the wheel cover assembly 102 and the studs 202. For example, the receiver 104 may include four posts 206 arranged in two diametrically opposed pairs, as shown in FIG. 2. In one implementation, a first pair of diametrically opposed posts 206 is circumferentially separated from a second pair of diametrically opposed posts 206 by two pairs of diametrically opposed uncovered studs 202.

[0040] In one implementation, the spring 204 is mounted onto the first pair of diametrically opposed posts 206, as shown in FIG. 2. It will be appreciated that additional springs 204 and/or mounting orientations are contemplated. The spring 204 has a spring bias for releasably locking the wheel cover assembly 102 onto the posts 206. More particularly, to install the wheel cover, a force is exerted against the spring, and once the force is strong enough to overcome the spring bias, the wheel cover assembly 102 may be rotated until engaged to the posts 206.

Once the posts 206 stop the rotation of the wheel cover assembly 102, the force is desisted resulting in the spring bias of the spring 204 causing the wheel cover assembly 102 to translate in a direction opposite the application of the force and lock in place. The translation of the wheel cover assembly 102 generates a positive feedback in the form of a small jolt or similar tactile sensation confirming the wheel cover assembly 102 is secured to the receiver 104.

[0041] Because the posts 206 are engaged to and extend from existing studs 202 of the hub 200 and the spring 204 does not impede visual access to the hub 200, the receiver 104 provides generally unobstructed views of the hub 200. Such an arrangement provides many advantages, including without limitation, performance of routine maintenance without removal of the receiver 104; ability to mount additional components to the hub 200, such as a hub meter; and the hub 200 can include unobstructed signage or a viewing screen showing a message, such as an advertisement, that is projected onto or otherwise visible on the wheel cover.

[0042] In one implementation, the receiver 104 falls within the circumference of the center of the wheel when mounted onto the hub 200, allowing for removal of the tire or other portions of the wheel without the removal of the receiver 104. The receiver 104 may also be installed onto a wheel such that the cover assembly 102 would cover the lug nuts. Moreover, the receiver 104 does not require any evidentiary mounting mechanism such as in conventional systems, allowing the cover assembly 102 to obtain optimized aerodynamic shape. In one implementation, the posts 206 are mounted to a plate to permit the use of the wheel cover system 100 on trailer hubs to cover the wheels. The plate would permit hubs that do not have significant mounting points, such as the studs 202, to install the plate with the posts 206 for mounting the cover assembly 102. In other implementations, the posts 206 are mounted onto other components. For example, the posts 206 can be mounted to an automatic tire inflating device, such as the Aperia Halo, or the like. The inflating device bolts onto a wheel and attaches to the air intake of the wheel to monitor and automatically inflate the tire, as needed. The device extends tire life, increases miles per gallon, and prevents blowouts due to underinflated tires.

[0043] As can be understood from FIGS. 3A-3C, the posts 206 may have a variety of shapes, sizes, and features. For example, the post 206 may have a short profile 320 or a long profile 322. In one implementation, the post 206 includes an upper portion 300 and a lower portion 302. The upper portion 300 begins with a first cap 304 disposed on the end of the post 206 and configured to prevent the cover assembly 102 from translating outwardly in a direction away from the hub 200, thereby disengaging from the post 206. The first cap 304 also has a cap

bottom surface 316 configured to contact the cover assembly 102 when engaged with a plate 500. A taper 318 guides the cover assembly 102 into position during installation and removal based on an applied force and the spring bias of the spring 204. The post 206 further includes a hook step 306 and a neck step 308. In one implementation, the hook step 306 has a larger circumference than the neck step 308. A second 310 and a third 314 cap frame a spring step 312. The spring step 312 is configured to receive and engaged the spring 204. In one implementation, the second 310 and the third 314 caps each have an equal circumference larger than a circumference of the spring step 312. The lower portion 302 includes a threaded opening configured to receive the stud 202, enabling the post 206 to be rotationally advanced onto the stud 202. An adhesive, such as Loctite, welding, and/or other attachment mechanisms may be used to further secure the post 206 to the stud 202.

[0044] In one implementation, the first 304, second 310, and third 314 caps have a circumference equal to each other. However, the circumferences may differ from each other or two circumferences may be equal to each other while a third circumference is different. Additionally, the posts 206 may be manufactured with varying lengths to accommodate different wheel dimensions. For example, a front wheel of a semi-trailer truck may have the posts 206 with the short profile 320, as shown in FIG. 3B, while a rear wheel may have the posts 206 with the long profile 322, shown in FIG. 3C. The long profile 322 can accommodate a greater offset for rear dual-wheels. The posts 206 may be made of a hard material such as steel, aluminum, plastic, thermoplastic, and/or the like. In an example implementation, the posts 206 are manufactured from polyoxymethylene. After or while the posts 206 are installed onto the hub 200, the spring 204 may be also installed.

[0045] Turning to FIGS. 4A-4C, in one implementation, the spring 204 includes a spring engagement point 400 where the spring 204 meets the cover assembly 102 during cover installation. The spring bias of the spring 204 may be configured to generate an outward force concentrated at the spring engagement point 400. The spring 204 also includes a plurality of spring hooks 402. In one example, the spring 204 has two hooks 402 in a semi-circular shape, as shown in FIG. 4B. The hooks 402 extend linearly away from each other, then bend and increase in angle until they reach the engagement point 400. The combination of the semi-circular hooks 402 and flexibility of the spring 204 allow the spring hooks 402 to hook around and engage two posts 206 at the spring step 312 of each post 206, as shown in FIG. 4A. However, it will be appreciated that the spring 204 can be mounted onto more than two posts 206 or onto one post 206 and bent outwards to provide the spring bias force to maintain the

plate 500 in place. The receiver 104 may be permanently affixed or removably engaged to the hub 200, with the wheel cover assembly 102 removably engageable to the receiver 104.

[0046] For a detailed description of the wheel cover assembly 102, reference is made to FIGS. 5A-5B. In one implementation, the cover assembly 102 includes an engagement plate 500 and a cover back 502, illustrated as a ring in FIG. 5A. The ring is merely for illustrative purposes to demonstrate the connection of a wheel cover to the engagement plate 500. The cover back 502 may be coupled to the plate 500 with screws 506 that extend through a plurality of openings 504 in the plate 500 and the cover back 502. Although the plate 500 and the cover back 502 are shown as two separate components attached via screws 506, the plate 500 and the cover back 502 can be one integrated unit or attached via other means. The cover back 502 can also be integrated into the wheel cover 800.

[0047] The plate 500 may include a body with radius cuts of different diameters to engage the steps in the posts 206. The plate 500 includes a plurality of hooks 508 disposed about and defined in a peripheral edge of the body. The hooks 508 may be oriented relative to a center hole 524. In one implementation, the plate 500 has four hooks 508; however, there can be more or less than four hooks 508 and the plate 500 can be any shape including, but not limited to, a rectangle, octagon, oval, or circle, as well as having various ornamental features. Furthermore, other wheel end elements providing quick detachment to expose the hub 200 and other wheel components such as, but not limited to, a hub odometer or tire inflation device can be mounted onto the plate 500 in addition to, or in place of, a wheel cover.

[0048] In one implementation, the hook 508 includes a hook surface 522 and a hook edge 510 defining a hook receiving area 520. The hook receiving area 520 is adapted to snugly fit around the hook step 306. Adjacent to the hook edge 510 is a neck edge 512 which, together defines a neck receiving area 518. The neck receiving area 518 allows the post 206 to pass through at the neck step 308 during cover installation and prevents the plate 500 from rotating when the plate 500 is fully engaged on the post 206. Adjacent to the neck edge 512 is a cap edge 514 defining a cap receiving area 516. The cap receiving area 516 is adapted such that the first cap 304 can outwardly pass through the cap receiving area 516 at the beginning of installation. The cap receiving area 516 and the hook receiving area 520 may be formed as a first groove and a second groove, respectively, wherein the first groove is larger than the second groove. The plate 500 may be positioned 3.5" from dead center of a typical 8-bolt hub assembly such that the radius from the center of the plate to engagement of the post 206 is

3.5". The plate 500 can be made of a hard material such as, but not limited to, steel, aluminum, plastic, thermoplastic, or the like. In one implementation, the plate 500 is manufactured from a 0.060" thick sheet of 304 stainless steel.

[0049] Referring to FIGS. 6-7, in one implementation, a plurality of spacers 600 are configured to maintain a distance between the cover back 502 and the plate 500, such that when the wheel cover assembly 102 is installed onto the receiver 104 and the cover back 502 contacts the first caps 304, the plate 500 drops into position for installation. Although the spacers 600 are shown as separate components, they may be integrated into the cover back 502 or the plate 500. In one example implementation, shown in FIG. 7, four spacers 600 are positioned adjacent four hooks 508 and posts 206. The four hooks 508 and corresponding four posts 206 are positioned equidistance around a center circumference of the cover back 502. The four screws 506 and corresponding four spacers 600 are positioned equidistance on the same center circumference and shifted clockwise from the hooks 508 to prevent interference with the posts 206.

[0050] FIG. 8 illustrates a high level view of the wheel cover system 100 with a wheel cover 800. The wheel cover 800 can be disc or domed shaped with various ornamental features and extends over the receiver 104 and plate 500. The wheel cover 800 entirely covers the remainder of the wheel cover system 100 components, such as the receiver 104 and the plate 500, as well as the internal components of the wheel, including the hub 200. The wheel cover 800 may also include a thicker portion on the perimeter of the disc, which may provide more stability at the edge as well as prevent debris from entering the space behind the wheel cover 800. The wheel cover 800 can be coupled to the plate 500 in a variety of ways. In one example, shown in FIGS. 9A-B, the wheel cover 800 includes an attachment portion 900 and an opening where the screw 506 passes through and attaches the wheel cover 800 to the plate 500. FIGS. 9A-B further illustrate the cover assembly 102, complete with the cover 800, mounted to an example post 206 of the receiver 104.

[0051] FIGS. 10-14 illustrate an example installation of the cover assembly 102 onto the receiver 104. In one implementation, the cover assembly 102 is positioned over the receiver 104, such that the plate 500 is facing the posts 206. The first groove, or cap receiving area 516, is positioned over the posts 206 and the cover assembly 102 is pushed inwardly in a direction towards the hub 200 and rotated in a first direction, for example, clockwise. The spring bias of the spring 204 causes the cover assembly 102 to jolt outwardly providing positive feedback and

locking the cover assembly 102 in place on the posts 206. The cover assembly 102 is thereby preventing from rotating counter-clockwise or clockwise. The only way to remove or release the cover assembly 102 is the application of a force on the cover assembly 102 in direction inwardly towards the hub 200 and rotation of the cover assembly 102 in a second direction opposite the first direction (e.g., counterclockwise). The cover assembly 102 is rotated until disengaged from the posts 206, and the spring bias of the spring 204 translates the cover assembly 102 in a direction outwardly from the hub 200, releasing the cover assembly 102 from the receive 104.

[0052] In one implementation, the wheel cover system 100 provides a positive feedback loop to notify a user of proper installation, as the user cannot see the parts during installation due to the wheel cover 800. The feedback loop includes, but is not limited to, audial, tactile, visual, and/or other feedback. The audial feedback may be generated by the plate 500 hitting the first caps of each post 206. The tactile feedback may come in the form of a jolt caused by the spring bias of the spring 204 translating the plate 500 outwards, enabling a user to feel the cover assembly 102 move against his hand. The visual feedback may be provided in how the wheel cover 800 is oriented relative to the wheel.

[0053] As shown in FIG. 10, in one implementation, the cover assembly 102 is positioned such that the plate 500 is centered on the spring engagement point 400, shown in FIG. 4, and the cover back 502 is facing outwards. The cap receiving area 516 is aligned with the first cap 304. When the cover assembly 102 receives the application of an inward force, for example from a user pushing on the cover assembly 102, the cover assembly 102 compresses the spring 204, and the cover assembly 102 moves inwardly in a direction towards the hub 200, as indicated by the arrow shown in FIG. 10.

[0054] Turning to FIG. 11, after the cover assembly 102 is translated inwardly through the application of the inward force, the first caps 304 abuts the cover back 502, preventing the cover assembly 102 from moving further inward. The spacers 600 distance the cover back 502 and the plate 500 such that the plate 500 is dropped into the same plane as the neck step 308. The spacers 600 and the cover back 502 save time and effort as a user can simply push the cover back 502 until the cover back 502 contacts the first caps 304. The cover assembly 102 is then rotated in the first direction (e.g., clockwise), as shown by the arrows.

[0055] As can be understood from FIG. 12, while the cover assembly 102 is rotating as indicated by the arrow, the neck receiving area 518 receives and guides the neck step 308 into

the hook receiving area 520. When the neck step 308 is in the hook receiving area 520, as shown in FIG. 13, the inward force on the cover assembly 102 is desisted, resulting in the spring bias of the spring 204 exerting an outward force against the cover assembly 102 and translating the cover assembly 102 outwards, as shown by the arrow in FIG. 13. In an example implementation, the outward force generated by the spring bias of the spring 204 is approximately 20lb/inch.

[0056] FIG. 14 illustrates the engagement plate 500 engaged to the posts 206. In one implementation, the hook surface 522 is flush against the cap bottom surface 316 and the hook step 306 is positioned in the hook receiving area 520. Because the combination of the width of the neck receiving area 518 being less than the diameter of the hook step 306 and the outward force provided by the spring bias of the spring 204, the hook step 306 cannot rotate out of the hook receiving area 520, thus preventing the plate 500 from rotating. In other words, the circumference of the hook receiving area 520 is about the same as the circumference of the hook step 306, both of which are larger than the distance formed by the neck receiving area 518, thus preventing the plate 500 from rotating. The spring 204 continually exerts an outward positive force against the plate 500, which together with the first caps 304, translationally and rotationally lock the plate 500. In other words, the circumference of the engaging plate 500 in the secondary or locking position of the plate 500, when displaced outwards with the force of the spring 204, is dimensioned such that the plate 500 cannot rotate as it is more than half of the diameter of the stud step with which it engages. Furthermore, if the cover assembly 102 is secured on at least one post 206, the surface 316 is engaging the entire post 206. One post 206 can provide sufficient engagement area to hold the cover assembly 102 in position.

[0057] The various implementations described herein may have several additional features. For example, FIG. 15 illustrates the post 206 having a driver opening 1500 extending into the first cap 304. The driver opening 1500 is configured to receive a driver tool, such as a screw driver, for example, to drive the post 206 into the hub 200. The driver 1500 may be shaped to be a hex, Phillips, slot, triangle, or the like. In an example implementation, the driver 1500 is a half-inch square driver. The driver 1500 provides an alternatives means to couple the post 206 to the hub and utilizes a driver instead of a wrench, for example.

[0058] Furthermore, the wheel cover 800 may also have additional features. FIG. 16 illustrates the wheel cover 800 having a center opening 1600 accommodating a plurality of couplers 1700, shown in detail in FIG. 17A. The plurality of couplers 1700 are configured to

couple the wheel cover 800 to the plate 500. In an example implementation, shown in FIG. 17A, the center opening 1600 includes an indented ring 1702 broken into four sections by the plurality of couplers 1700, wherein the plurality of couplers 1700 are have an opening sized for a screw thread to pass through. The plurality of screws 1704 couple the wheel cover 800 to the plate 500. It will be appreciated that the wheel cover 800 can be coupled to the plate 500 in other ways, including, but not limited to, using adhesion, welding, rivets, or the like. Further, the wheel cover 800 and the plate 500 can be one unitary piece.

[0059] The indented ring 1702 may also be separated into sections by a plurality of cover cap receivers 1706 adjacent to each plurality of couplers 1700. The plurality of cover cap receivers 1706 are configured to receive a cover cap tab 1708, shown in FIG. 17B, of a cover cap 1710. In an example implementation, each cover cap receiver 1706 is a slotted opening configured to receive each cover cap tab 1708. The cover cap receivers 1706 and cover cap tabs 1708 lock the cover cap 1710 to the wheel cover 800 via a snap fit. It will be appreciated that the cover cap 1710 may be attached via other mechanical mechanisms or integrated into the wheel cover 800, such that the cover cap 1710 and the wheel cover 800 are one piece. In one example, shown in FIG. 18, the cover 1800 is one integrated piece. Furthermore, the cover cap 1710, wheel cover 800, and the plate 500 may be one piece as well.

[0060] In one implementation, the cover cap 1710 encloses the center opening 1600, creating an aerodynamic smooth and clean surface on the wheel cover 800. The wheel cover 800 or integrated cover 1800 may be covered in a wrap to display an image or have an unobstructed communicative display. The wheel cover 800 or integrated cover 1800 may also have different finishes such as smooth, corrugated, completely clear, or the like, along with other ornamental features. The wheel cover 800 completely seals and hides the remainder of the wheel cover system 100 and the inner wheel components, including the hub 200, from view, while providing protection from dirt and debris.

[0061] For an example of the wheel cover system 100 configured for mounting to a rear wheel of a vehicle, reference is made to FIGS. 19A-20. In one implementation, the plate 500 attaches to a plate receiver 1900 via screws, adhesion, rivets, or the like. Raised portions of the plate receiver 1900 can be seen in FIG. 19B. In one implementation, the plate 500 is screwed into the plate receiver 1900 with a plurality of screws that screw into a plurality of threaded openings 1902 in the plate receiver 1900. Each of a plurality of curved flanges 1904 follows a

portion of the perimeter of each cap receiving area 516, as shown in FIG. 19C, which allows the cap 304 of the post 206 to pass through the cap receiving area 516.

[0062] In the example shown in FIG. 20, a standard 8 bolt hub assembly is shown with 8 studs 202 extending outwardly from the hub 200. Four long posts 322 will be engaged to every other stud 202, such that a free stud 202 is positioned between each post 322. More or less than four posts 322 may be used and the posts 322 may be installed with any pattern, such as all four posts 322 adjacent to each other, two posts 322 adjacent to each other, or the like. As previously mentioned, an adhesive, such as Loctite, or other attachment mechanism may be used to secure the posts 322 onto the studs 202. The spring 204 is then installed onto two posts 322. The plate 500 may be attached to the wheel cover 800 or integrated into the wheel cover 800 as one piece. The cover assembly 102 may then be removably installed onto the posts 322.

[0063] FIGS. 21-29C illustrate an example of the wheel cover system 100 configured for mounting to a front wheel of a vehicle. Contrary to a rear wheel, a standard front axle may include 10 lug nuts deeply recessed within the wheel. To account for these differences, in one implementation, the wheel cover system 100 includes the plurality of posts 206 with the short profile 320, the spring 204 with a plurality of limbs, and a modified plate 500 and wheel cover 800.

[0064] As shown in FIG. 22, in one implementation, each of the posts 206 has a first cap 304 disposed on an upper portion 300 of the post and a second cap 310 and a third cap 314 to frame a spring step 312. Each of the plurality of posts 206 may have a threaded opening on the lower portion 302 configured to receive a lug nut of the wheel, which allows the post 206 to screw onto the lug nut. In one example implementation, five posts 206 are screwed onto the lug nuts of a front axle. The plurality of posts 206 are configured to receive and hold the multi-limb spring 204.

[0065] Referring to FIGS. 23A-B and FIGS. 24A-B, in one implementation, the spring 204 includes a plurality of spring limbs 2312 each extending from a spring cap 2304 and having the spring hook 402. The amount of spring limbs 2312 and spring hooks 402 depends on the amount of lug nuts of the wheel. In one example implementation, the spring 204 has five spring limbs 2312 extending from the spring cap 2304. Each of the spring hooks 402 is configured to couple the spring 204 to the plurality of posts 206. The spring cap 2304 includes a spring cap hood 2300 and a spring cap base 2302. The spring cap hood 2300 has a plurality of grooves

2306 configured to receive an end 2310 of each spring limb 2312 opposite another end having the spring hook 402. Similarly, the spring cap base 2302 includes a second plurality of grooves 2308 configured to receive the end of each spring limb 2312. The spring cap hood 2300 and the spring cap base 2302 can be coupled to each other via adhesion, screws, rivets, snap-fit, welding, or the like. The spring cap 2304 may double as the spring engagement point 400 and a known point of contact during installation in the feedback loop. A contour 2500 of the plate 500, shown in FIGS. 25A-B can receive the spring engagement point 400, allowing a user to feel that the wheel cover 800 is centered.

[0066] In one implementation, the plate 500 includes radius cuts of different diameters to engage the steps in the plurality of posts 206. The plate 500 includes a body with a plurality of hooks 508 having a hook receiving area 520, neck receiving area 518, and a cap receiving area 516. The plate 500 may also include a plurality of openings 2500 to reduce weight and material. In one example implementation, the plate 500 has five hooks 508 protruding from the circumference of the body of the plate 500. The plate 500 may also have five openings 504 and five corresponding screws 506.

[0067] Turning to FIGS. 26-29C, in one implementation, the wheel cover 800 includes a center opening 1600 and a plurality of couplers 1700 configured to receive the plate 500. The wheel cover 800 may also include a plurality of cap cover receivers 1706 configured to receive a plurality of cover cap tabs 1708, shown in FIGS. 29A-C. The plurality of couplers 1700 and the plurality of cap cover receivers 1706 are positioned in an indented ring 1702, shown more clearly in FIG. 26B. Turning to a bottom view of the alternative wheel cover 800, reference is made to FIGS. 27A-B.

[0068] The bottom portion of the wheel cover 800 includes a plate receiver 1900 having a plurality of threaded openings 1902 configured to receive a plurality of screws 1704. The plurality of threaded openings 1902 protrude from the indented ring 1702 and may provide further clearance for the plate 500 to couple to the wheel cover 800. The plate 500 and the wheel cover 800 may be coupled to each other by adhesion, screws, rivets, snap and fit, or the like. The plate 500 and the wheel cover 800 can also be one unit and manufactured via injection molding or machining, for example.

[0069] As illustrated in FIG. 28A, in one implementation, the wheel cover 800 includes a planar surface about a center portion 2800 and a side surface that angles in a direction radially

outwardly from the center 2800 slopes away from the planar surface towards an edge 2802. The wheel cover 800 can be various shapes with a variety of ornamental features. The wheel cover 800 can be injection molded and the edges can be ground. The center opening 1600 can be covered with a cover cap 1710 to provide a smooth exterior surface. The cover cap 1710, shown in more detail in FIGS. 29A-C, is generally circular shaped with a slight doming near the center. The cover cap 1710 includes a plurality of cover cap tabs 1708 for removably engaging the wheel cover 800 to cover the center opening 1600, as described herein. In one implementation, the cover cap 1710 has five cover cap tabs 1708. The cover cap 1710 is removable from the wheel cover 800, permitting routine inspection and maintenance of the inner components of the wheel and wheel cover system 100 without removing the wheel cover 800.

[0070] As illustrated in FIG. 21, the cover cap 1710 may snap onto the center opening of the wheel cover 800. The plate 500 can be screwed onto the bottom of the wheel cover 800, which together makes up the wheel cover assembly 102. In one example, five alternative posts 206 can be screwed onto five alternating lug nuts of a front axle. The spring 204 having five spring limbs 2312 can be mounted onto the posts 206, which together makes up the receiver 104. The wheel cover assembly 102 can then be installed onto the receiver 104 as described herein.

[0071] FIG. 30 illustrates example operations 3000 for installing a wheel cover assembly onto a receiver. An operation 3002 positions a hook of an engagement plate of a cover assembly over a post of the receiver. An operation 3004 receives an inward force overcoming a spring bias of a spring of the receiver. An operation 3006 receives a rotational force in a first rotational direction (e.g., clockwise) guiding the hook about the post. An operation 3008 generates a first positive feedback in response to the rotational force and the inward force. In one implementation, the first positive feedback is generated in response to contact between the post and the engagement plate, preventing further translational movement in an inward direction and rotational movement in the first rotational direction. An operation 3010 translates the wheel cover assembly outwards in connection with a second positive feedback generated by the spring bias of the spring. The outward translation locks the wheel cover assembly in position on the receiver.

[0072] FIG. 31 illustrates example operations 3100 for removal of a wheel cover assembly from a receiver. An operation 3102 receives an inward force on the wheel cover assembly overcoming a spring bias of a spring of the receiver. An operation 3104 receives a rotational force in a rotational direction (e.g., counterclockwise). An operation 3106 disengages a groove

of an engagement plate of the wheel cover assembly from a post of the receiver using the inward and rotational forces. An operation 3108 releases the wheel cover assembly from the receiver using the spring bias of the spring. In other words, the spring bias of the spring translates the wheel cover in an outward direction, releasing it from the receiver.

[0073] FIG. 32 shows an example wheel 50 with the receiver 104 of the wheel cover system 100 mounted to the hub 200 and the wheel cover 800 of the wheel cover assembly 102 shown removed. FIGS. 33 and 34 illustrate examples of the wheel cover 800 mounted to a rear wheel and front wheel, respectively, of a vehicle, such as a truck.

[0074] Generally, the wheel cover system described provides various advantages over conventional assembly including ease of use and installation. The cover assembly allows for quick installation of the wheel cover onto the hub by simply pressing down and rotating the wheel cover onto the receiver. Furthermore, the total parts count for the wheel cover quick mount is less than conventional assemblies. In one implementation, the total count is 16 parts including the center hub, four posts, and a spring. Having fewer parts allows for quicker and simpler installation of the assembly. As illustrated, the cover assembly can be easily and quickly installed or removed from the receiver without tools. To install, the cover is simply pushed inwards and rotated clockwise. To remove, the cover is pushed inwards and rotated counter-clockwise. The method of installation is unique as the method completely conceals the confines of the wheel cover wheel cover system. Nothing touches the wheel and the wheel cover appears to float on the wheel. Furthermore, the function of installation does not hinder aerodynamics of the wheel cover, which may provide relief from a paddle wheel effect.

[0075] The description above includes example systems, methods, techniques, and/or instruction sequences that embody techniques of the present disclosure. However, it is understood that the described disclosure may be practiced without these specific details. It is believed that the present disclosure and many of its attendant advantages will be understood by the foregoing description, and it will be apparent that various changes may be made in the form, construction and arrangement of the components without departing from the disclosed subject matter or without sacrificing all of its material advantages. The form described is merely explanatory, and it is the intention of the following claims to encompass and include such changes.

[0076] While the present disclosure has been described with reference to various implementations, it will be understood that these implementations are illustrative and that the scope of the disclosure is not limited to them. Many variations, modifications, additions, and improvements are possible. More generally, implementations in accordance with the present disclosure have been described in the context of particular implementations. Functionality may be separated or combined in blocks differently in various implementations of the disclosure or described with different terminology. These and other variations, modifications, additions, and improvements may fall within the scope of the disclosure as defined in the claims that follow.

Claims

1. A method for covering a wheel of a vehicle with a wheel cover assembly, the wheel having a first stud and a second stud each extending in an outward direction away from a hub, the method comprising:

receiving a first post of a receiver in a first hook of an engagement plate of a wheel cover assembly, the first post engaged to the first stud;

receiving a second post of the receiver in a second hook of the engagement plate of the wheel cover assembly, the second post engaged to the second stud;

receiving an inward force exerted against a wheel cover of the wheel cover assembly in an inward direction towards the hub, the inward force overcoming a spring bias of a spring of the receiver and translating the wheel cover assembly in the inward direction;

receiving a first rotational force rotating the wheel cover assembly in a first direction, the first post guiding and engaging the first hook and the second post guiding and engaging the second hook during rotation;

generating a first positive feedback in response to the inward force and the first rotational force; and

releaseably locking the wheel cover assembly to the receiver by translating the wheel cover assembly in the outward direction using an outward force generated by the spring bias, the outward force providing a second positive feedback.

2. The method of claim 1, wherein the first positive feedback prevents further rotation of the wheel cover assembly in the first direction and further translation of the wheel cover assembly in the inward direction.

3. The method of claim 1, further comprising:

receiving the inward force against the wheel cover while the wheel cover assembly is locked to the receiver;

receiving a second rotational force rotating the wheel cover assembly in a second direction opposite the first direction, the first post guiding and disengaging the first hook and the second post guiding and disengaging the second hook during rotation; and

releasing the wheel cover assembly from the receiver by translating the wheel cover assembly in the outward direction using the outward force generated by the spring bias.

4. A wheel cover system for covering a wheel of a vehicle with a wheel cover assembly, the wheel having a first stud and a second stud each extending in an outward direction away from a hub, the wheel cover system comprising:

a first post engageable to the first stud, the first post having a first upper portion and a first lower portion, the first upper portion disposed outwardly from the first lower portion;

a second post engageable to the second stud, the second post having a second upper portion and a second lower portion, the second upper portion disposed outwardly from the second lower portion;

a spring having a first hook and a second hook, the first hook engaged to the first post and the second hook engaged to the second post, the spring having a spring bias configured to generate an outward force in the outward direction away from the hub at a spring engagement point;

a first cap disposed in the first upper portion of the first post; and

a second cap disposed in the second upper portion of the second post, the first post and the second post configured to releaseably engage the wheel cover assembly with the spring, the first cap, and the second cap holding the wheel cover assembly in a locked position.

5. The wheel cover system of claim 4, wherein the first cap includes a first cap bottom surface and the second cap includes a second cap bottom surface, the outward force generated by the spring bias holding at least a portion of the wheel cover assembly against the first cap bottom surface and the second cap bottom surface in the locked position.

6. The wheel cover system of claim 5, wherein the portion of the wheel cover assembly includes an engagement plate.

7. (Original) The wheel cover system of claim 4, wherein the first post is positioned diametrically opposite the second post.

8. The wheel cover system of claim 4, wherein the portion of the wheel cover assembly is rotationally engageable to the first post and the second post prior to the outward force translating the wheel cover assembly in the outward direction into the locked position.

9. The wheel cover system of claim 8, wherein one or more first steps defined in the first post and one or more second steps defined in the second post guide the portion of the wheel cover assembly during rotation.

10. The wheel cover system of claim 4, wherein the first hook is engaged to the first post at a first spring step and the second hook is engaged to the second post at a second spring step.

11. The wheel cover system of claim 4, wherein the spring has a first limb including the first hook and a second limb including the second hook.

12. The wheel cover system of claim 11, wherein the first limb and the second limb each extend radially outwardly from a spring cap, the spring cap being disposed at the spring engagement point.

13. A wheel cover system comprising:
a wheel cover having an outer surface and an inner surface, the inner surface having a plate receiver;
an engagement plate having a body mounted to the plate receiver, the body extending between a peripheral edge;
a first hook defined in the peripheral edge of the body, the first hook configured to releaseably engage a first post of a receiver; and
a second hook defined in the peripheral edge of the body, the second hook configured to releaseably engage a second post of a receiver, the first hook and the second hook disposed diametrically opposite from each other.

14. The wheel cover system of claim 13, wherein the first hook includes a neck receiving area defined by a hook edge and a neck edge, the neck receiving area configured to rotationally engage the first post.

15. The wheel cover system of claim 13, wherein the first hook includes a cap receiving area defined by a cap edge, the cap receiving area configured to receive a cap of the first post during installation or removal.

16. The wheel cover system of claim 13, wherein the engagement plate includes a center hole defined in the body.

17. The wheel cover system of claim 16, wherein the center hole is configured to receive an outward force generated by a spring bias of a spring of the receiver.

18. The wheel cover system of claim 16, wherein the first hook and the second hook are spaced from each other about the center hole.

19. The wheel cover system of claim 13, wherein a cover cap is releaseably engaged to the wheel cover.

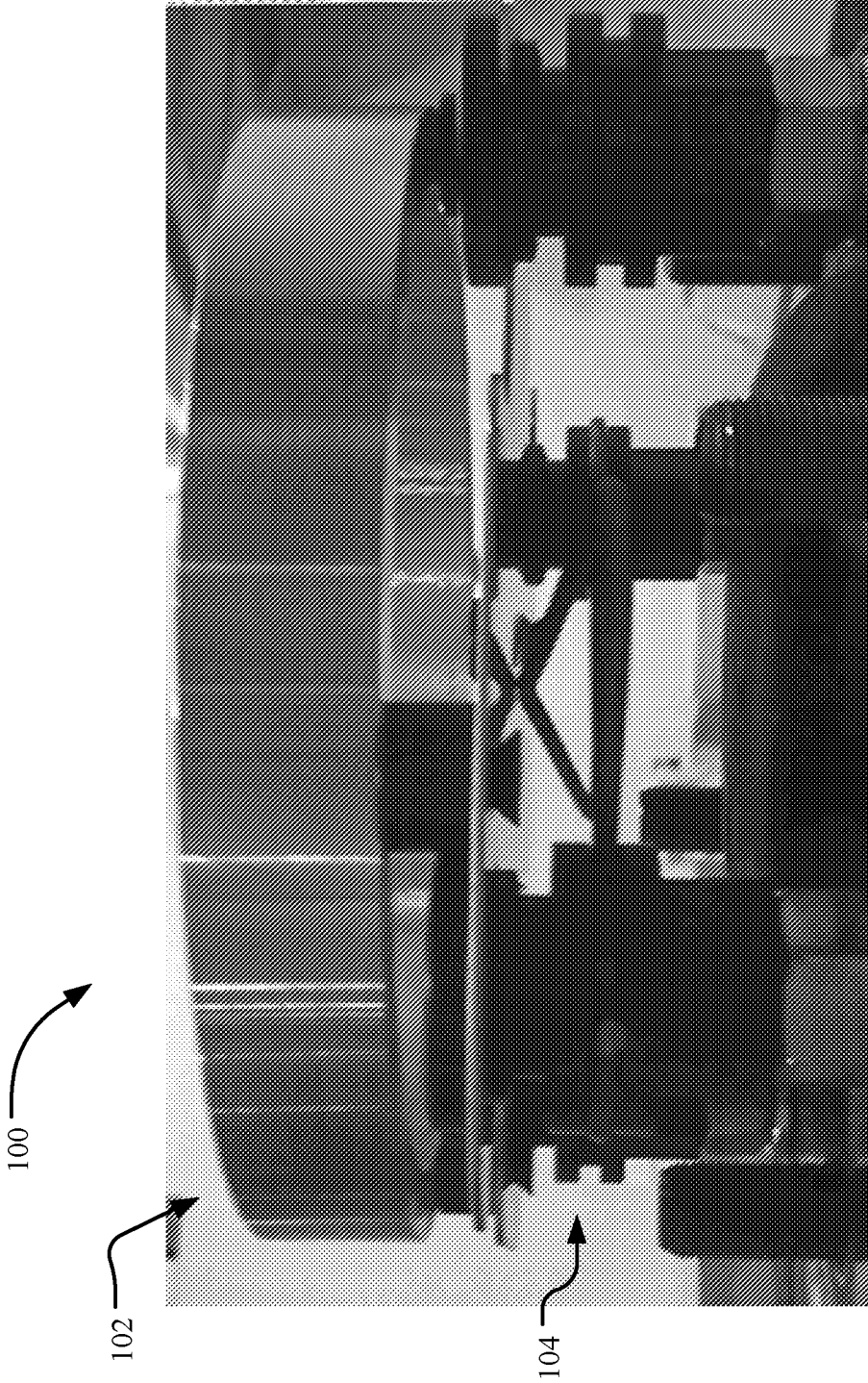


FIG. 1

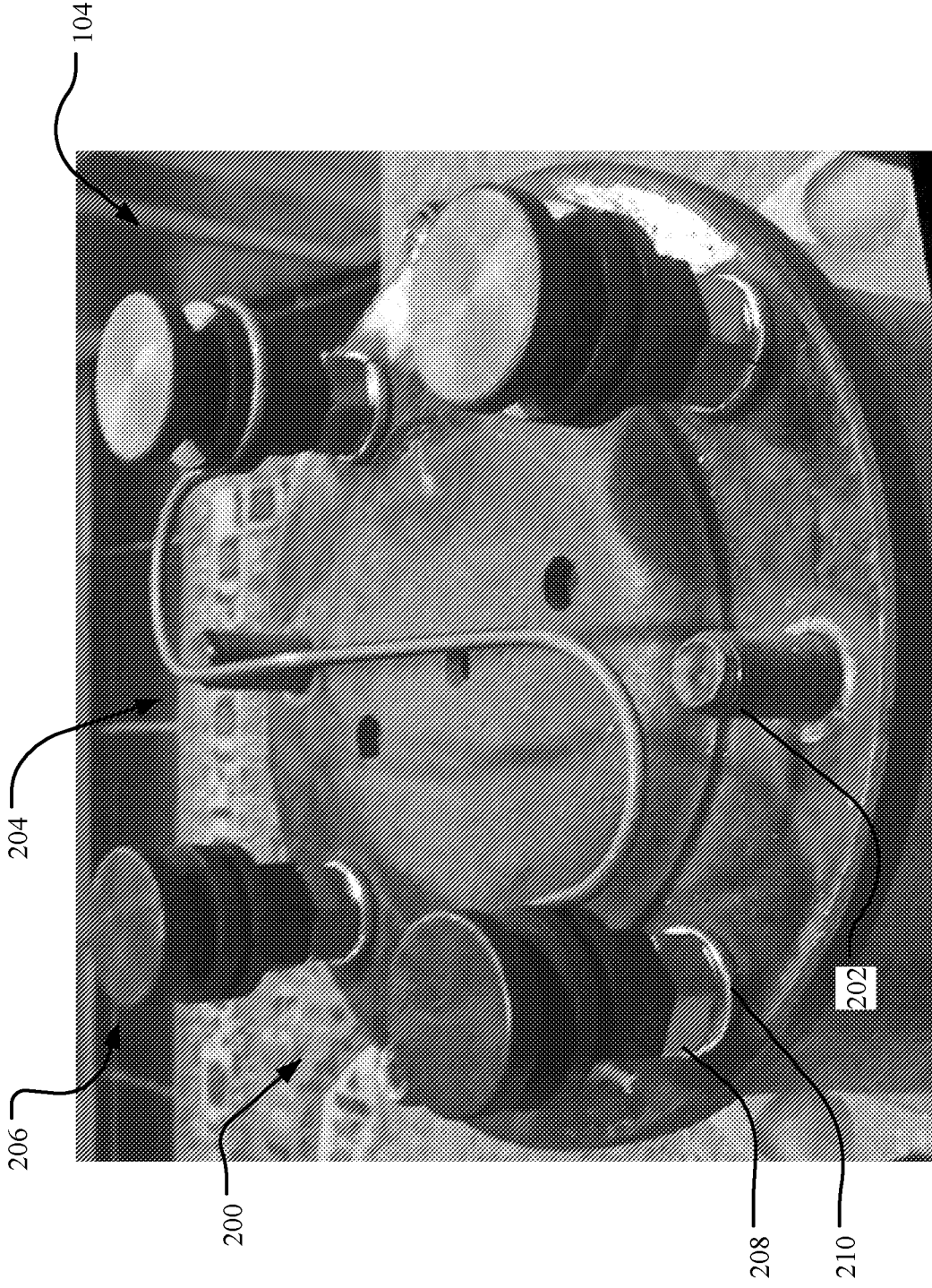


FIG. 2

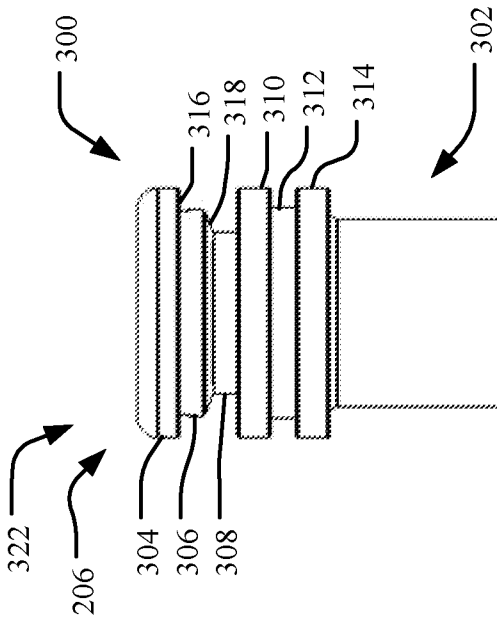


FIG. 3C

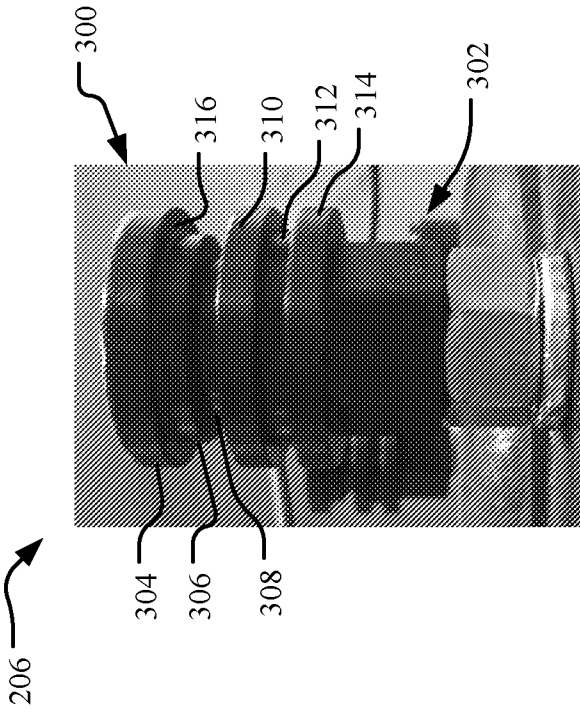


FIG. 3A

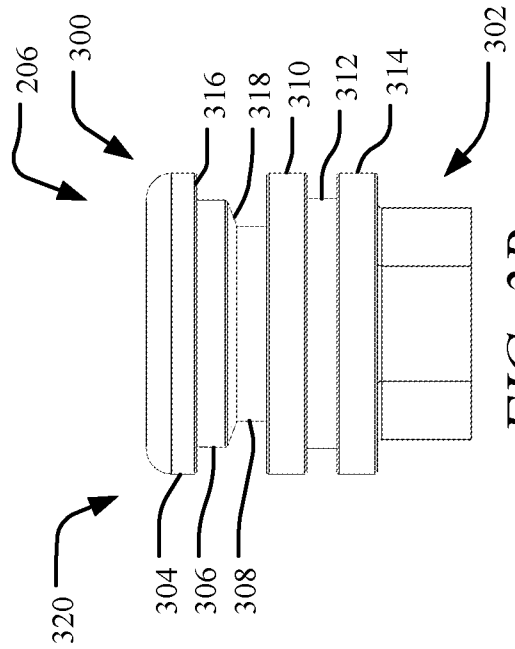


FIG. 3B

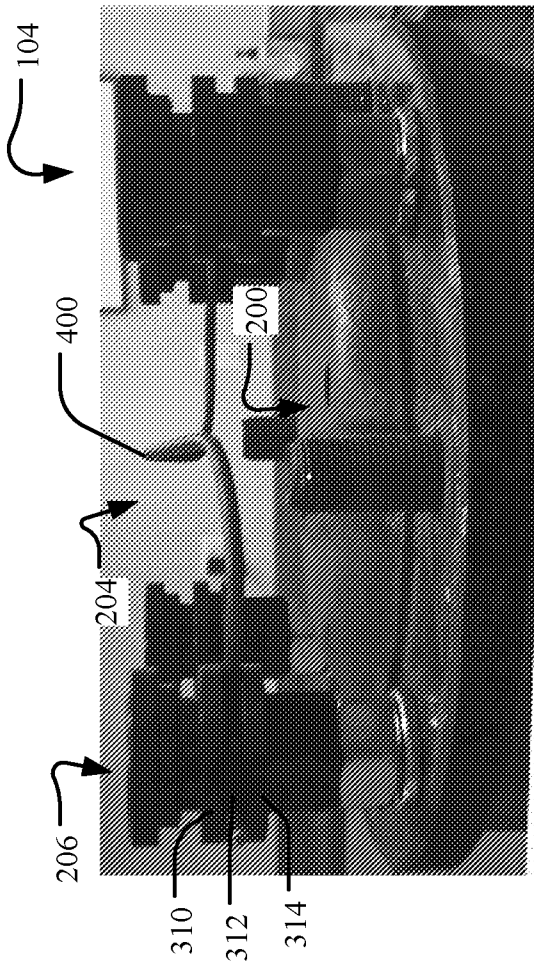


FIG. 4A

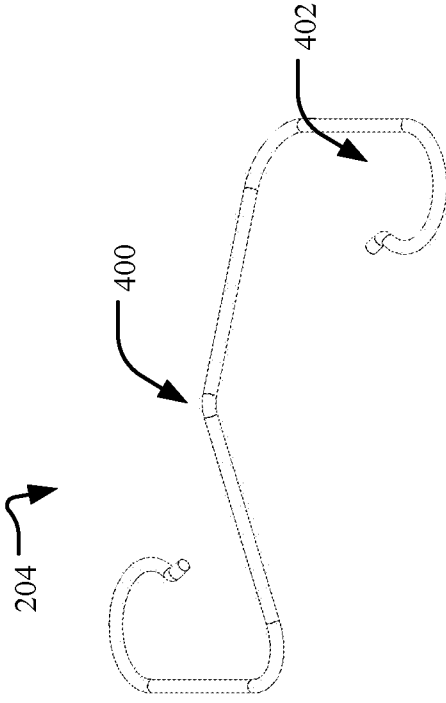


FIG. 4B

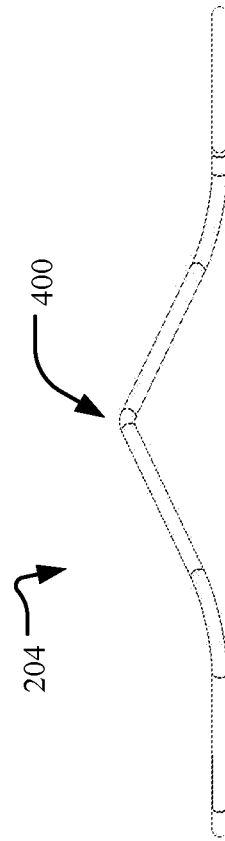


FIG. 4C

5/33

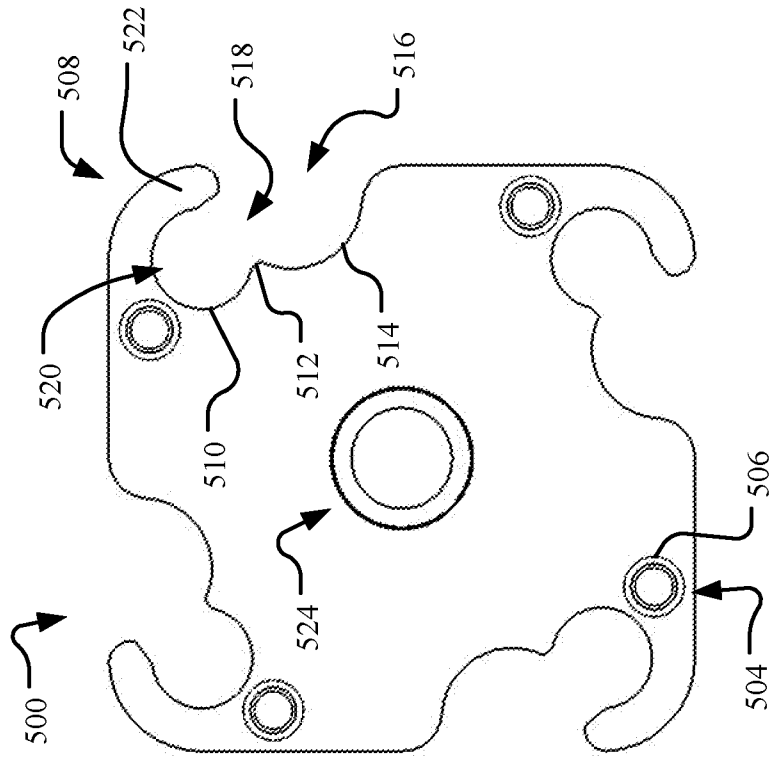


FIG. 5B

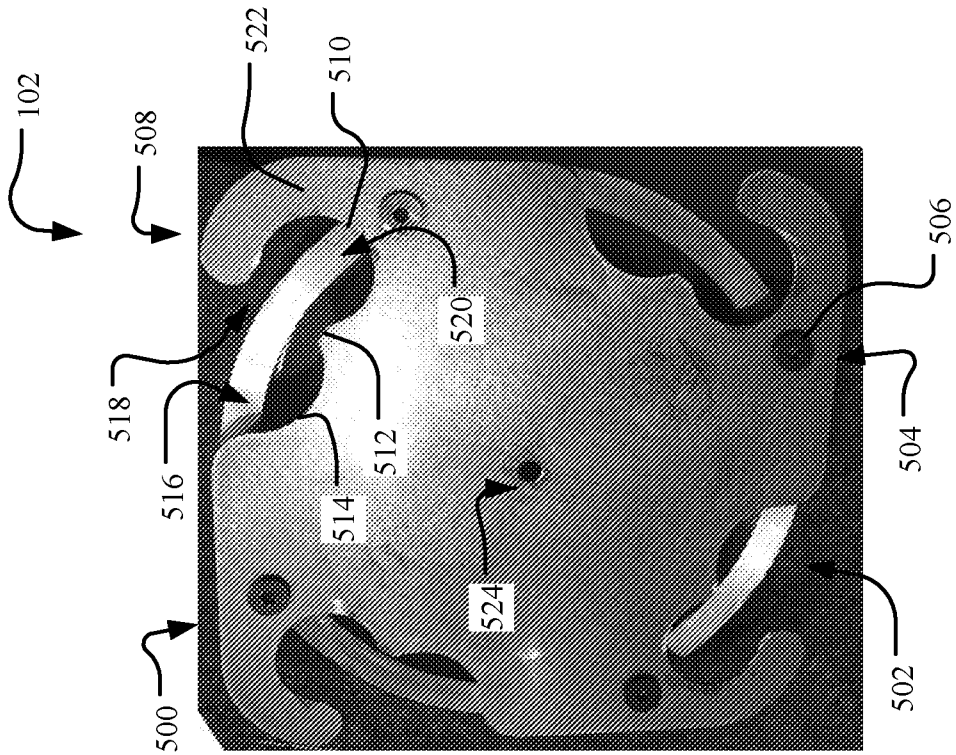


FIG. 5A

6/33

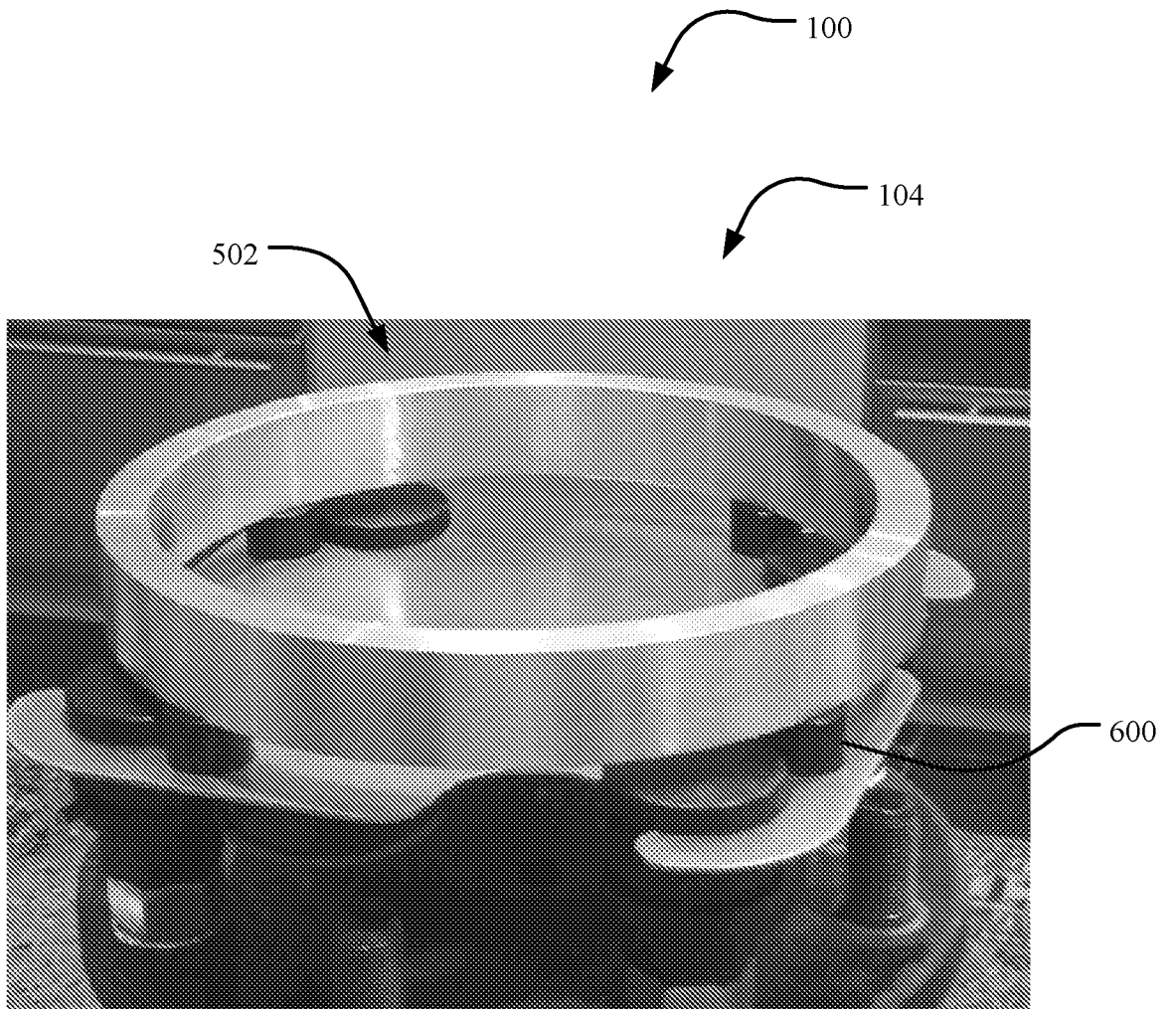


FIG. 6

7/33

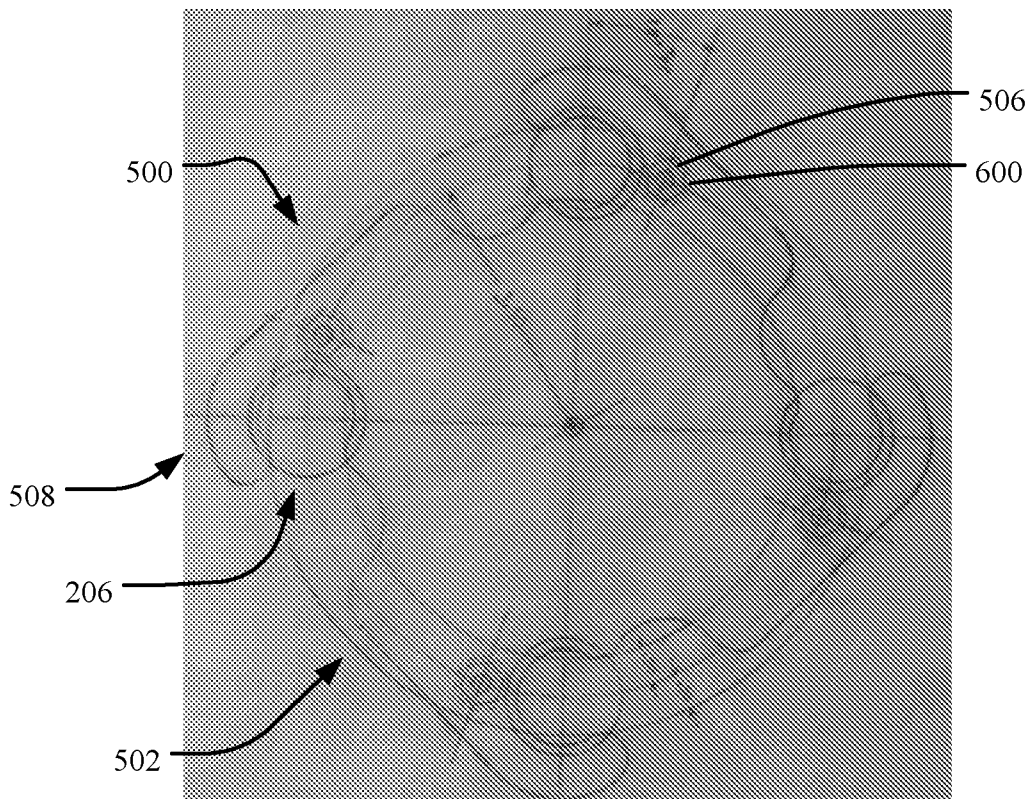


FIG. 7

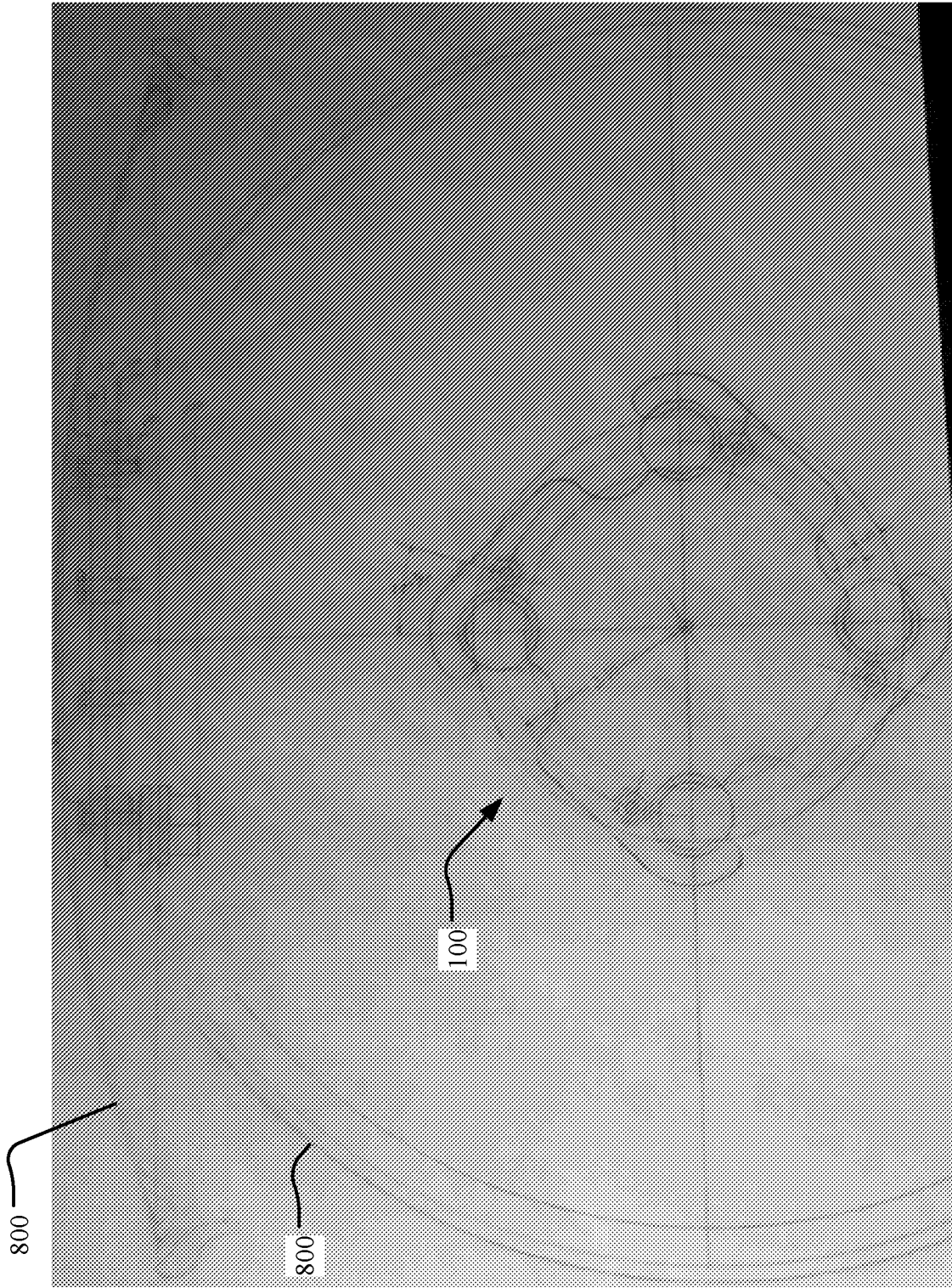


FIG. 8

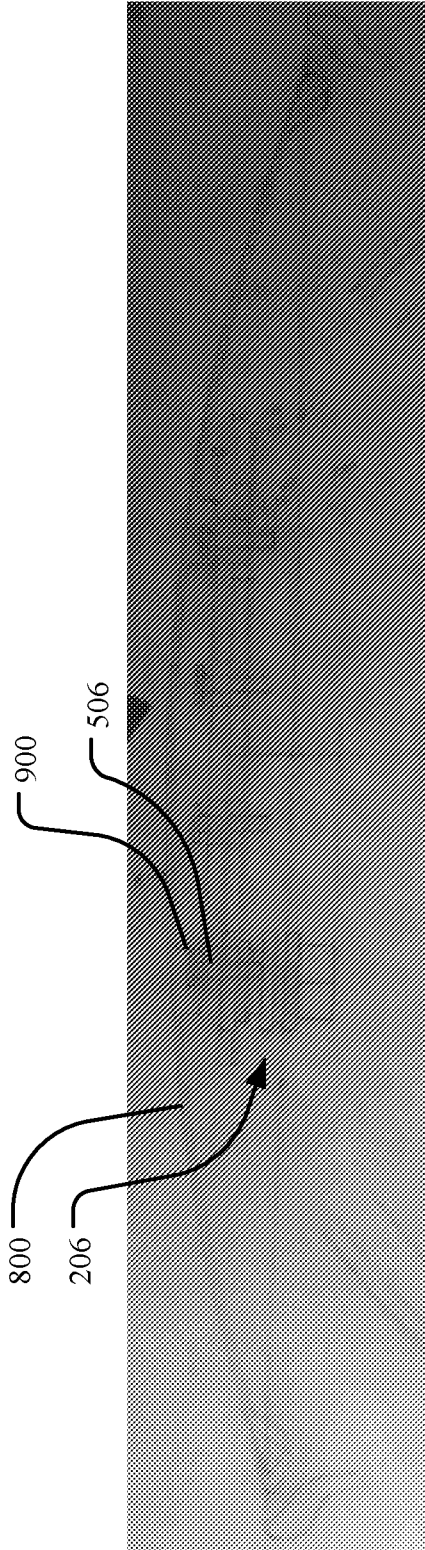


FIG. 9A

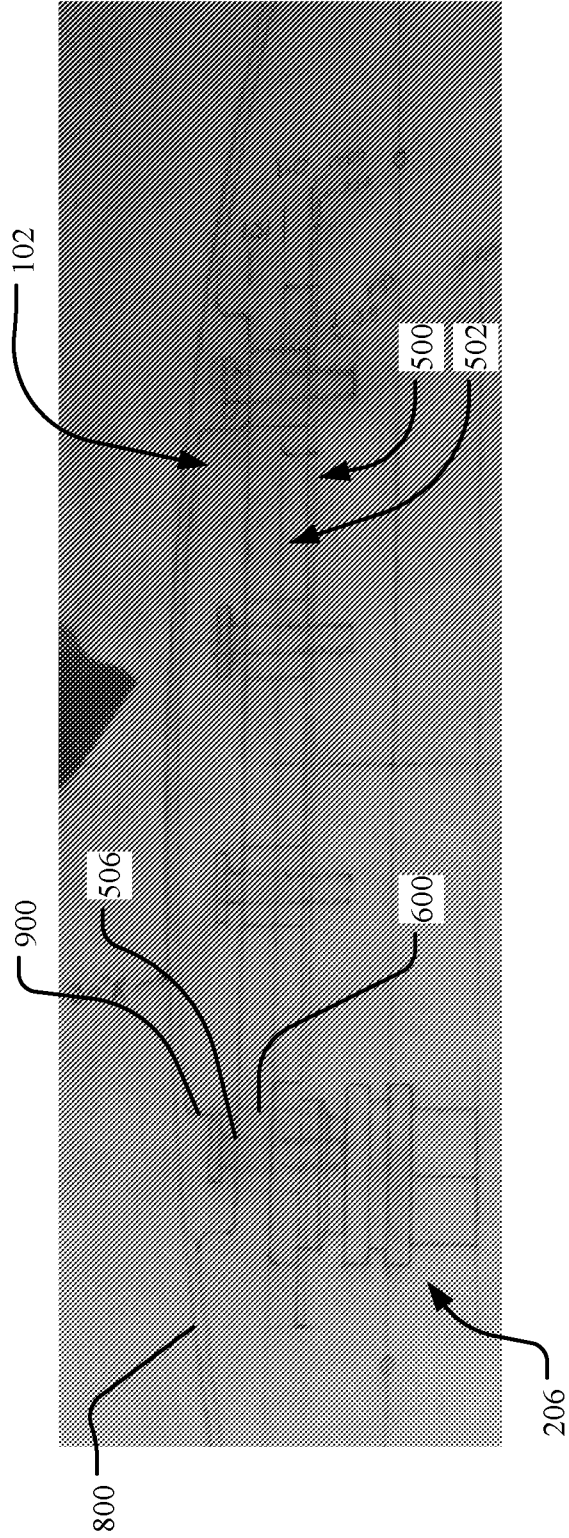


FIG. 9B

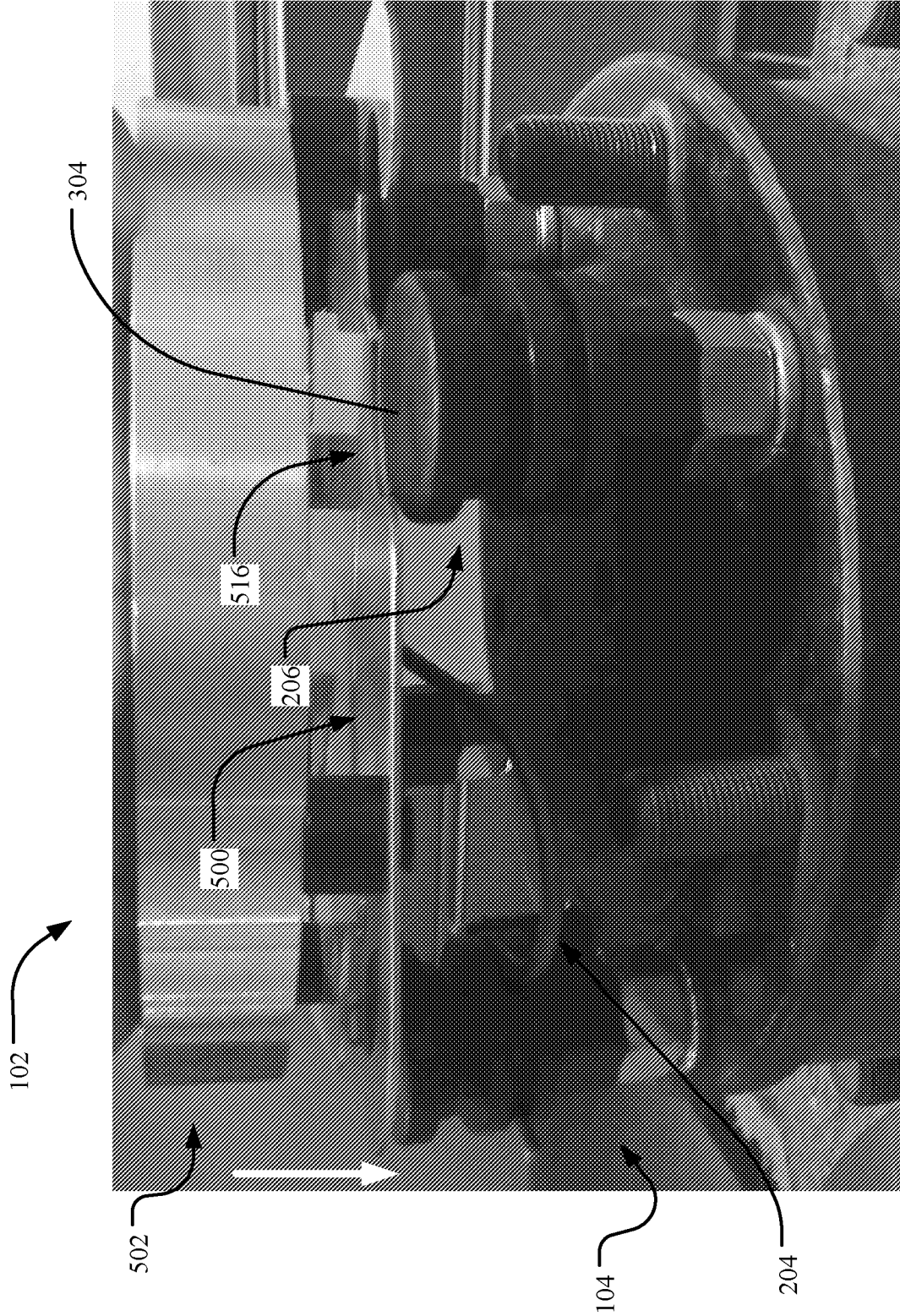


FIG. 10

11/33

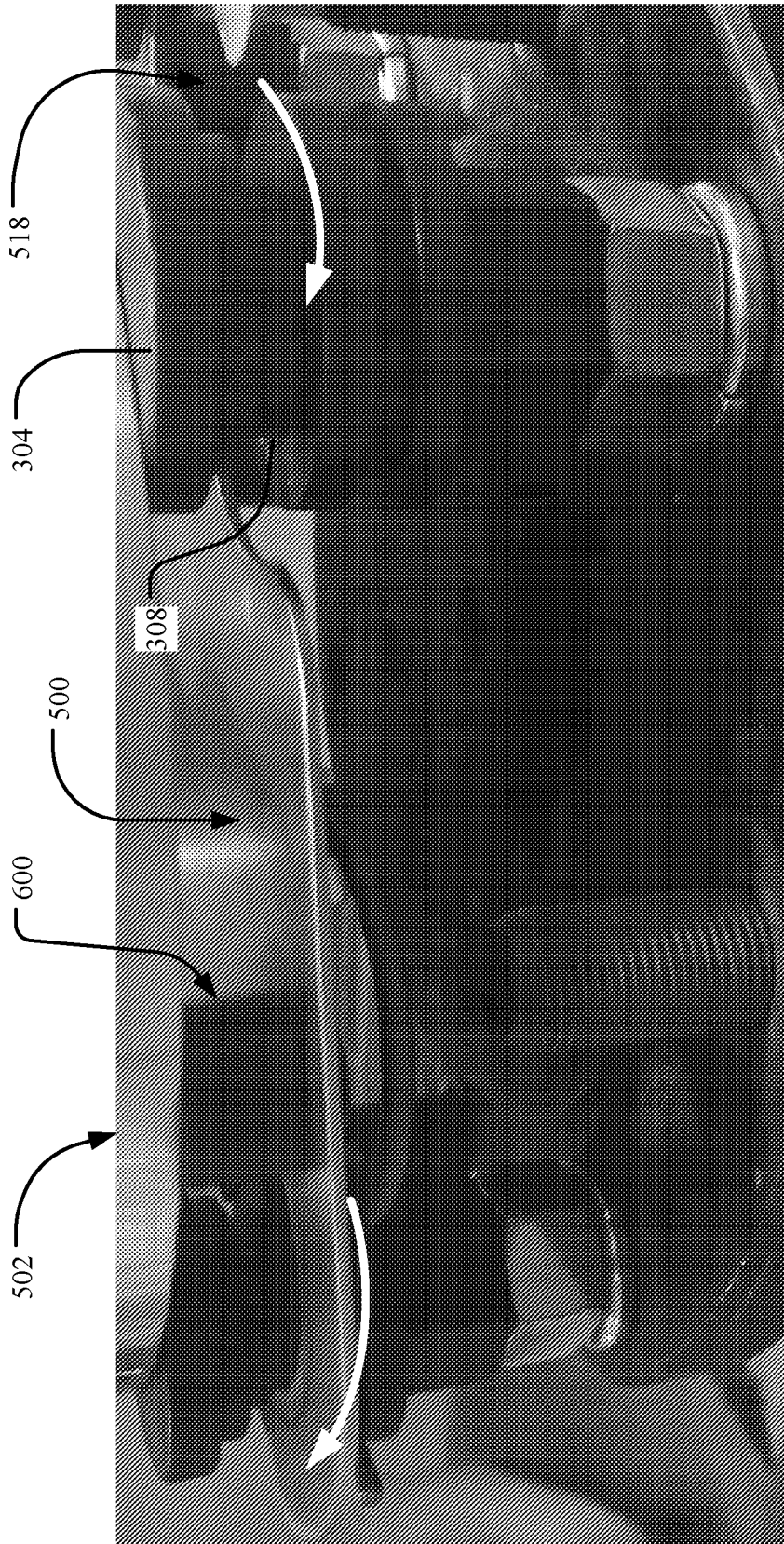


FIG. 11

12/33

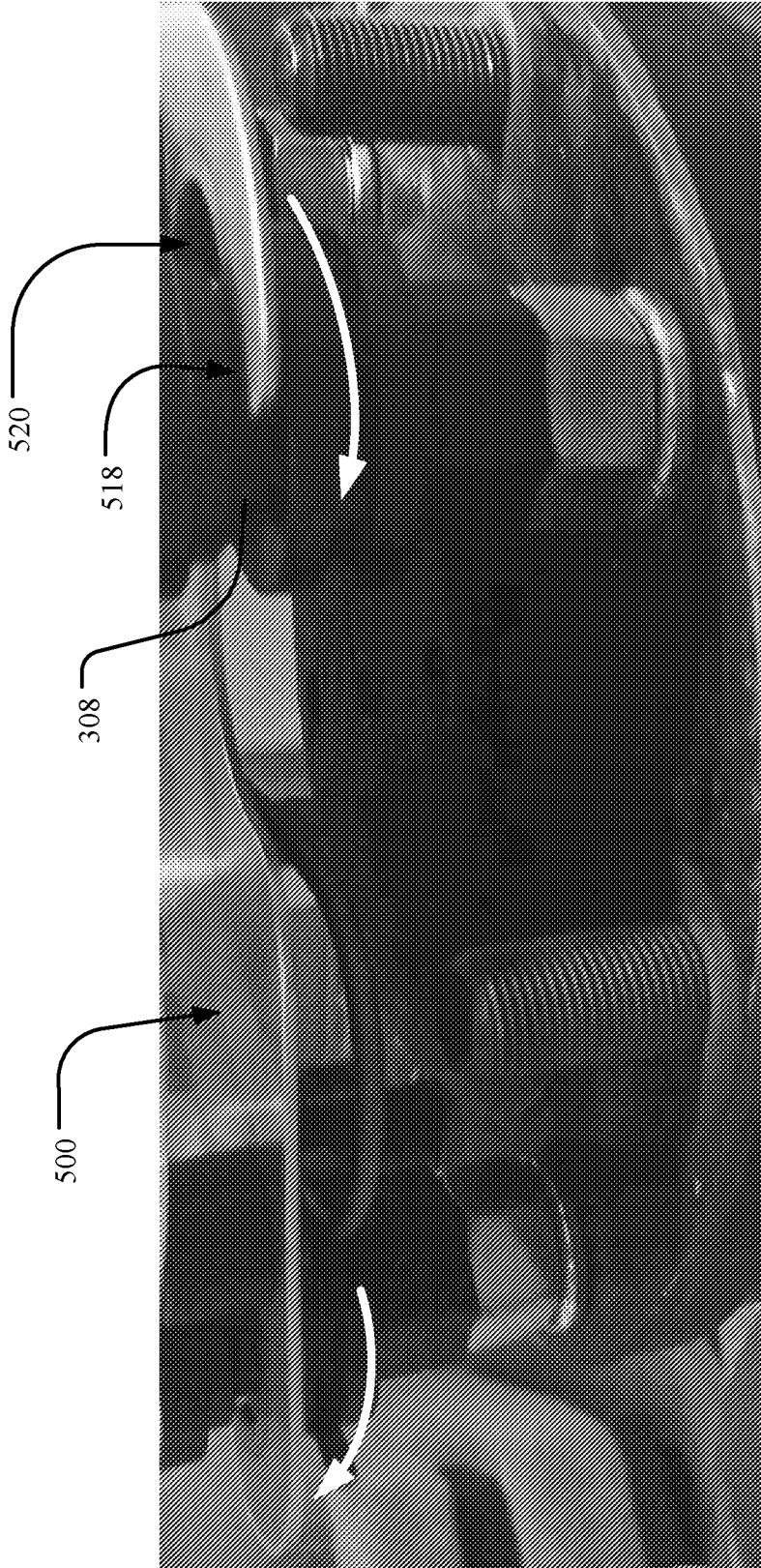


FIG. 12

13/33

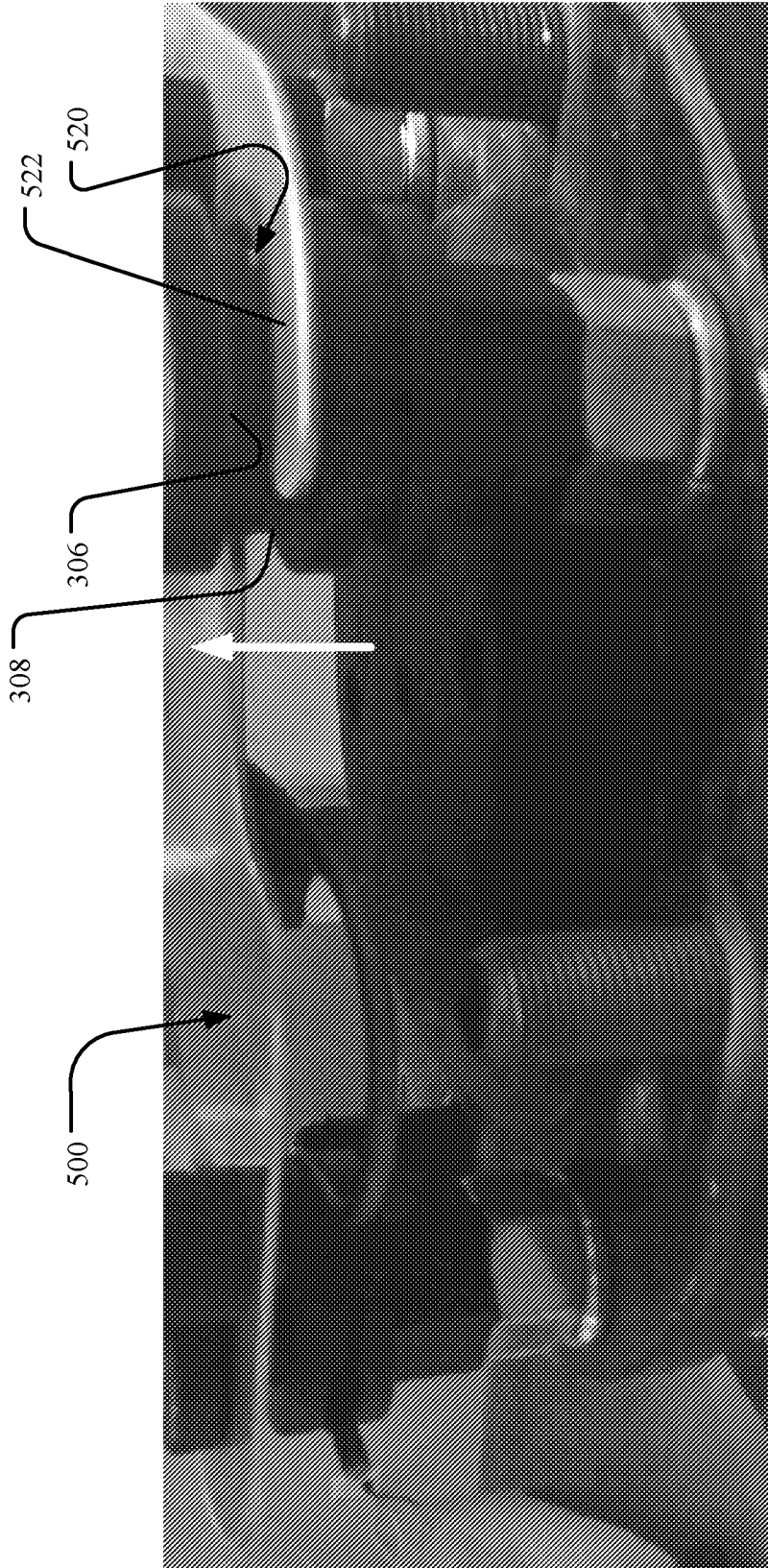


FIG. 13

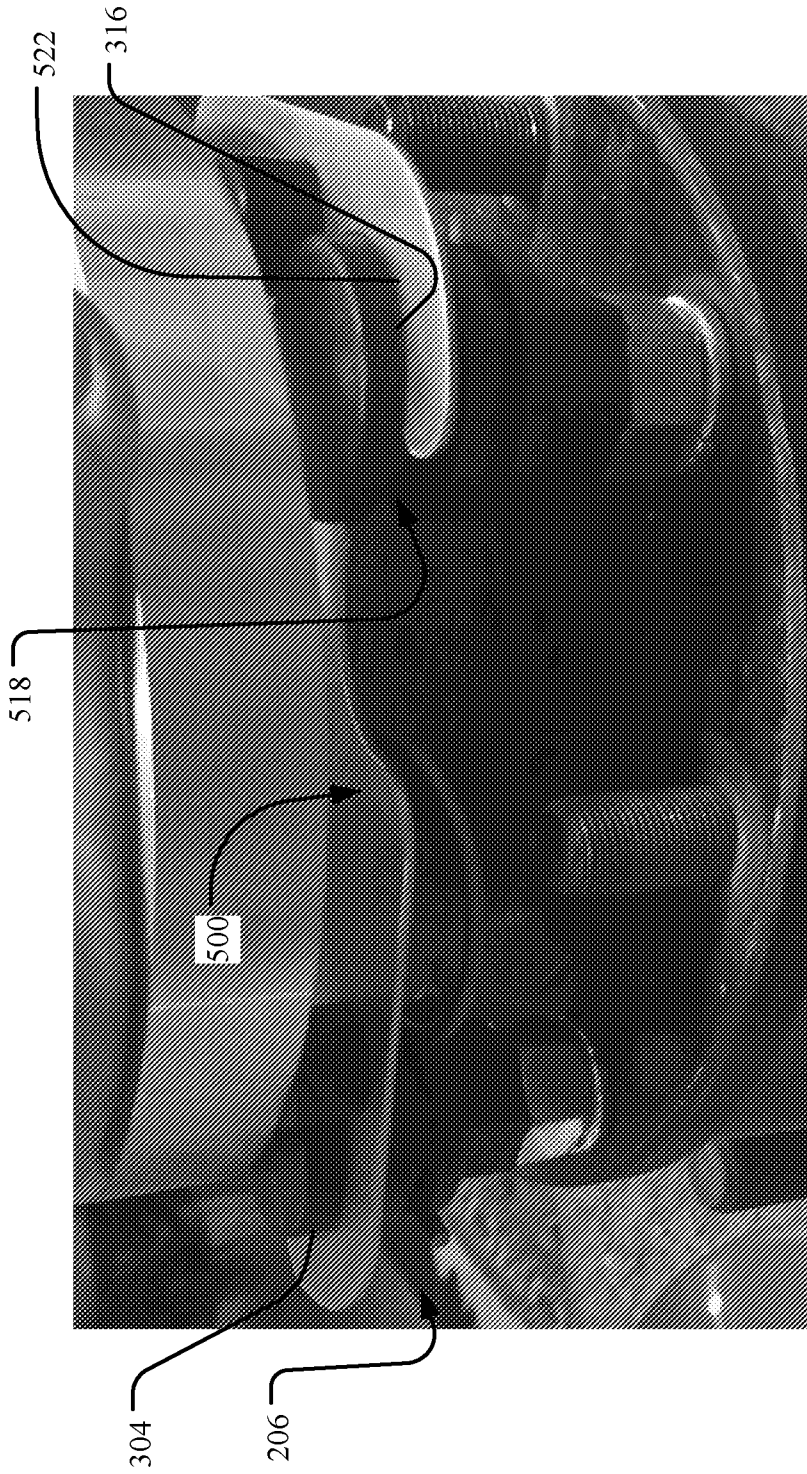


FIG. 14

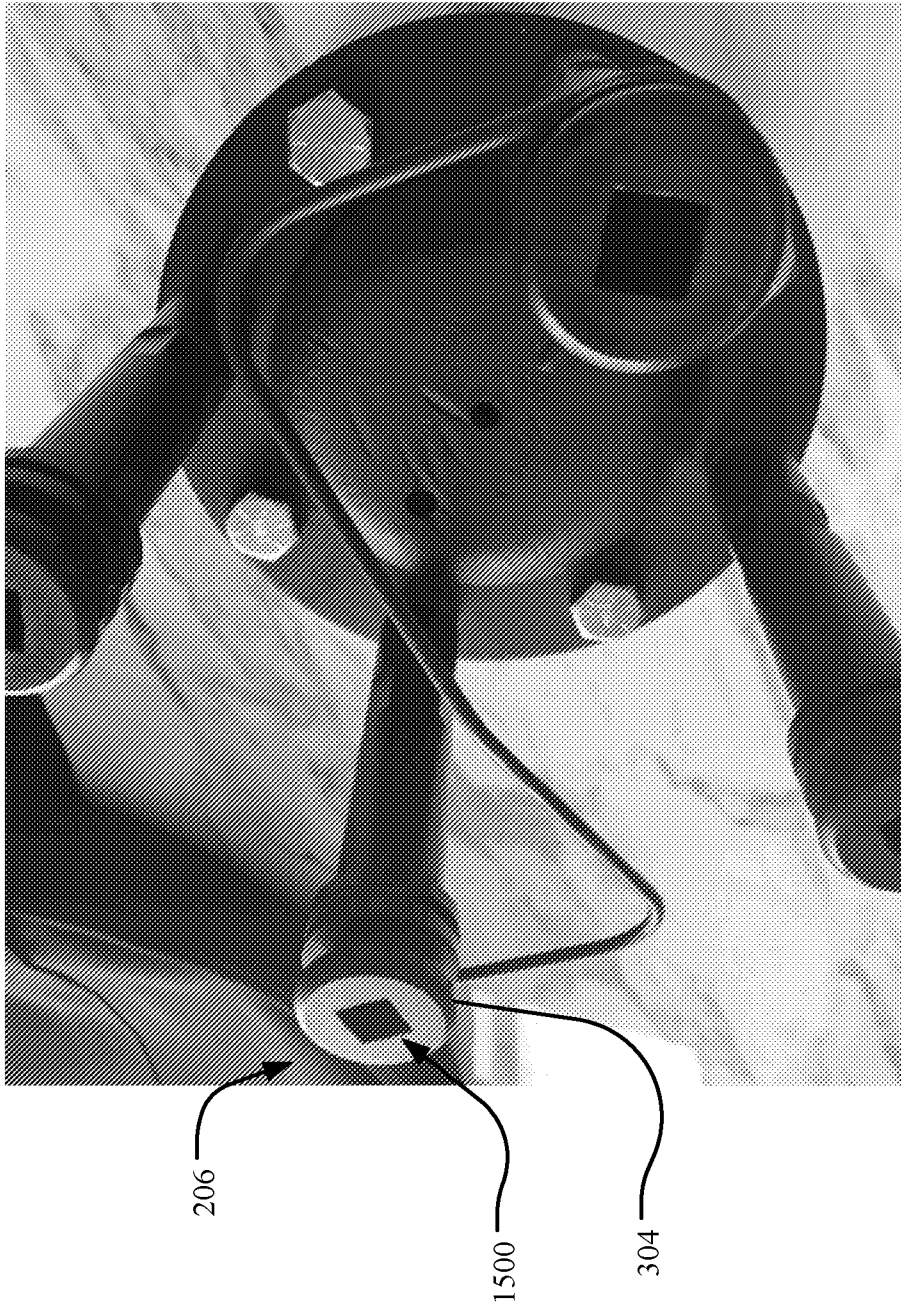


FIG. 15

16/33

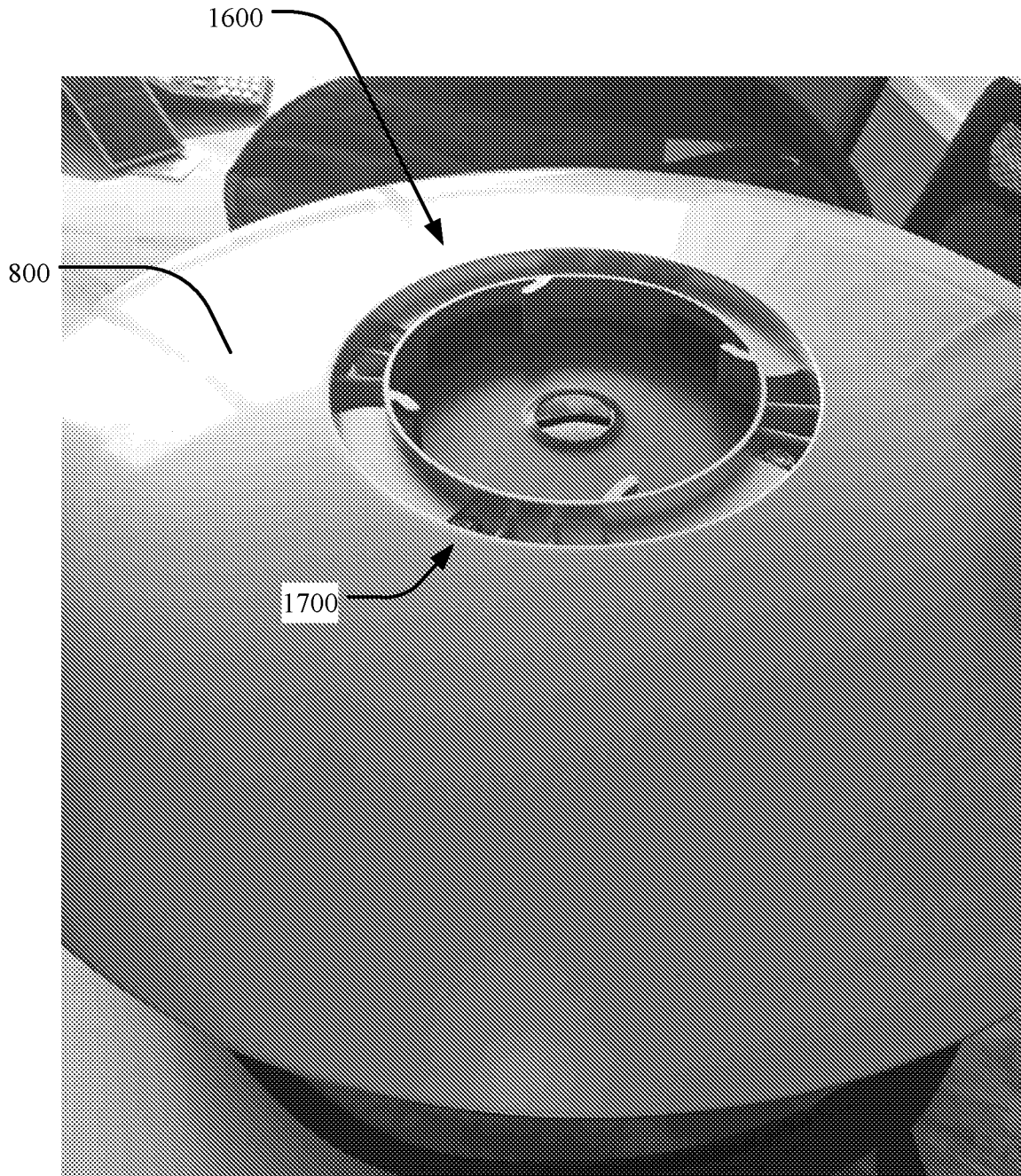


FIG. 16

17/33

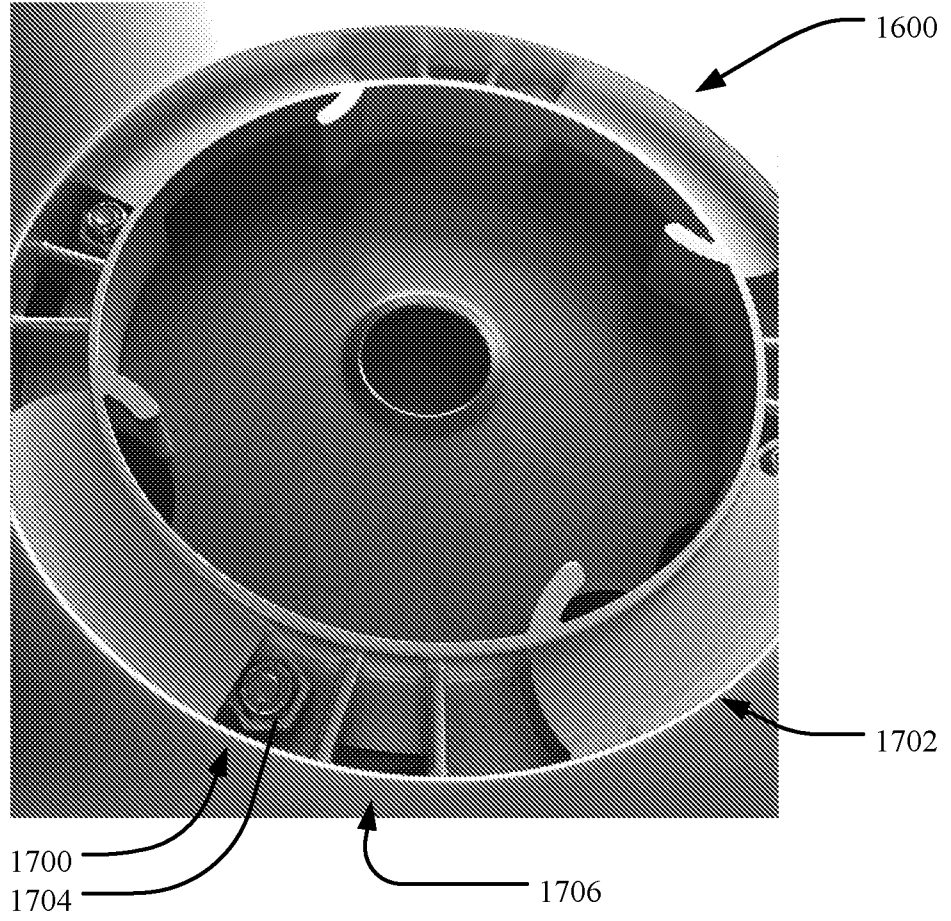


FIG. 17A

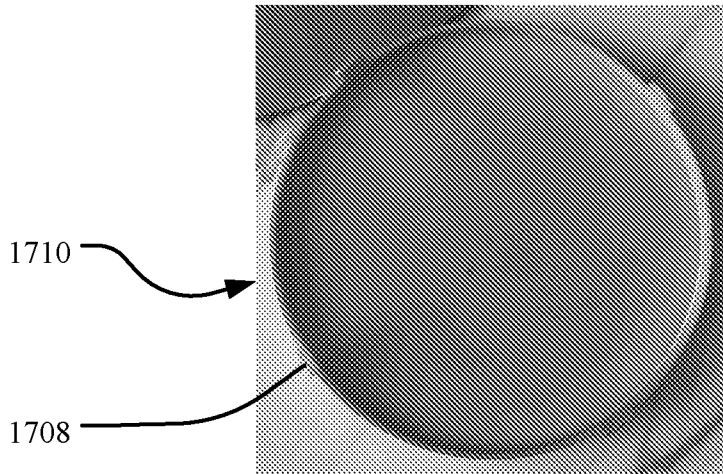


FIG. 17B

18/33

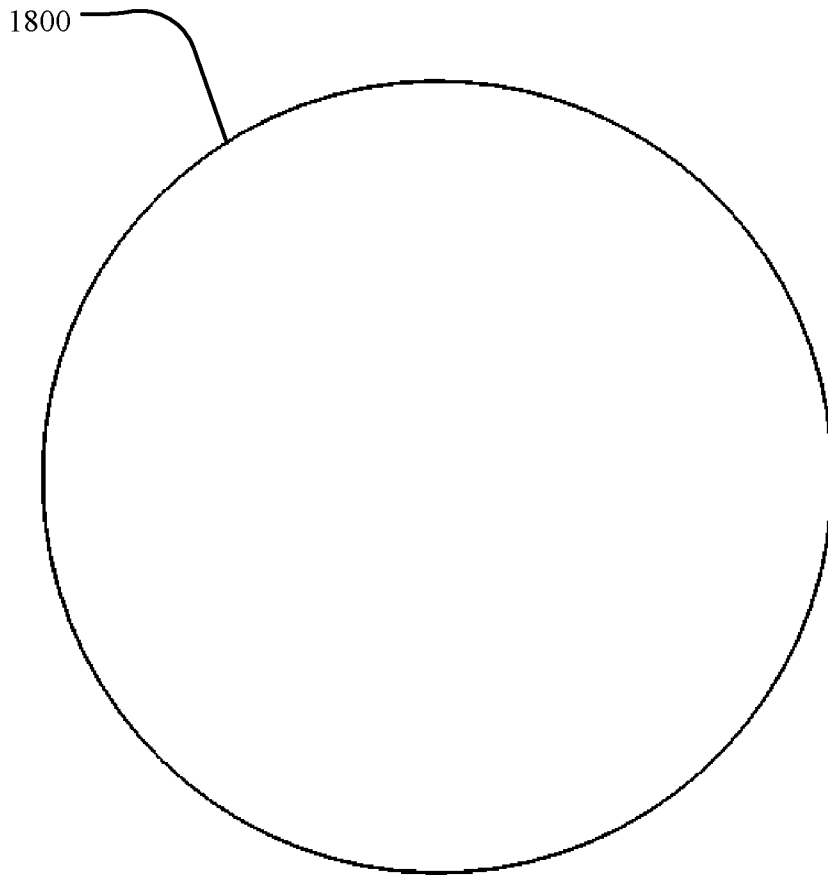


FIG. 18

19/33

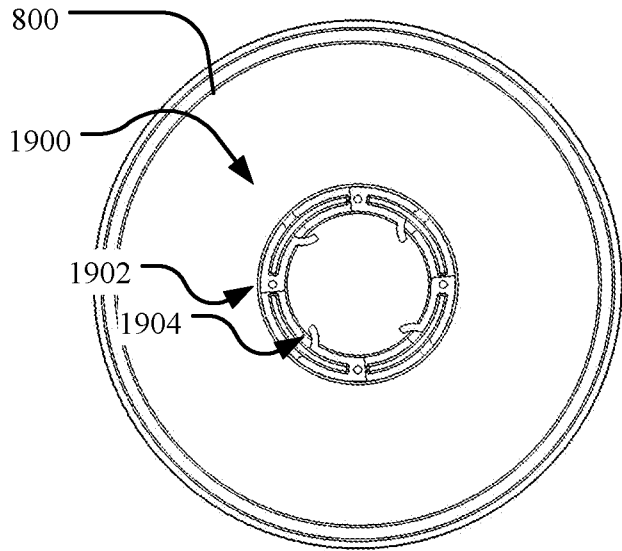


FIG. 19A

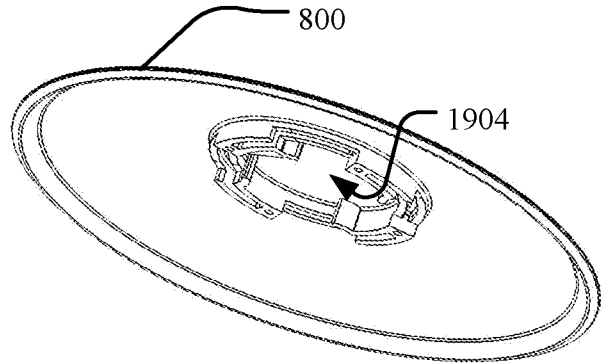


FIG. 19B

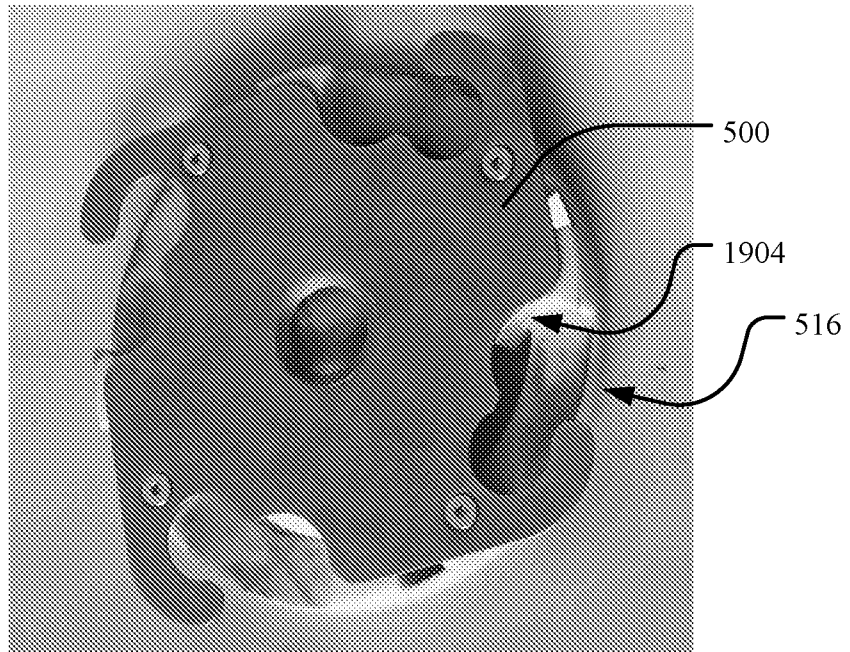


FIG. 19C

20/33

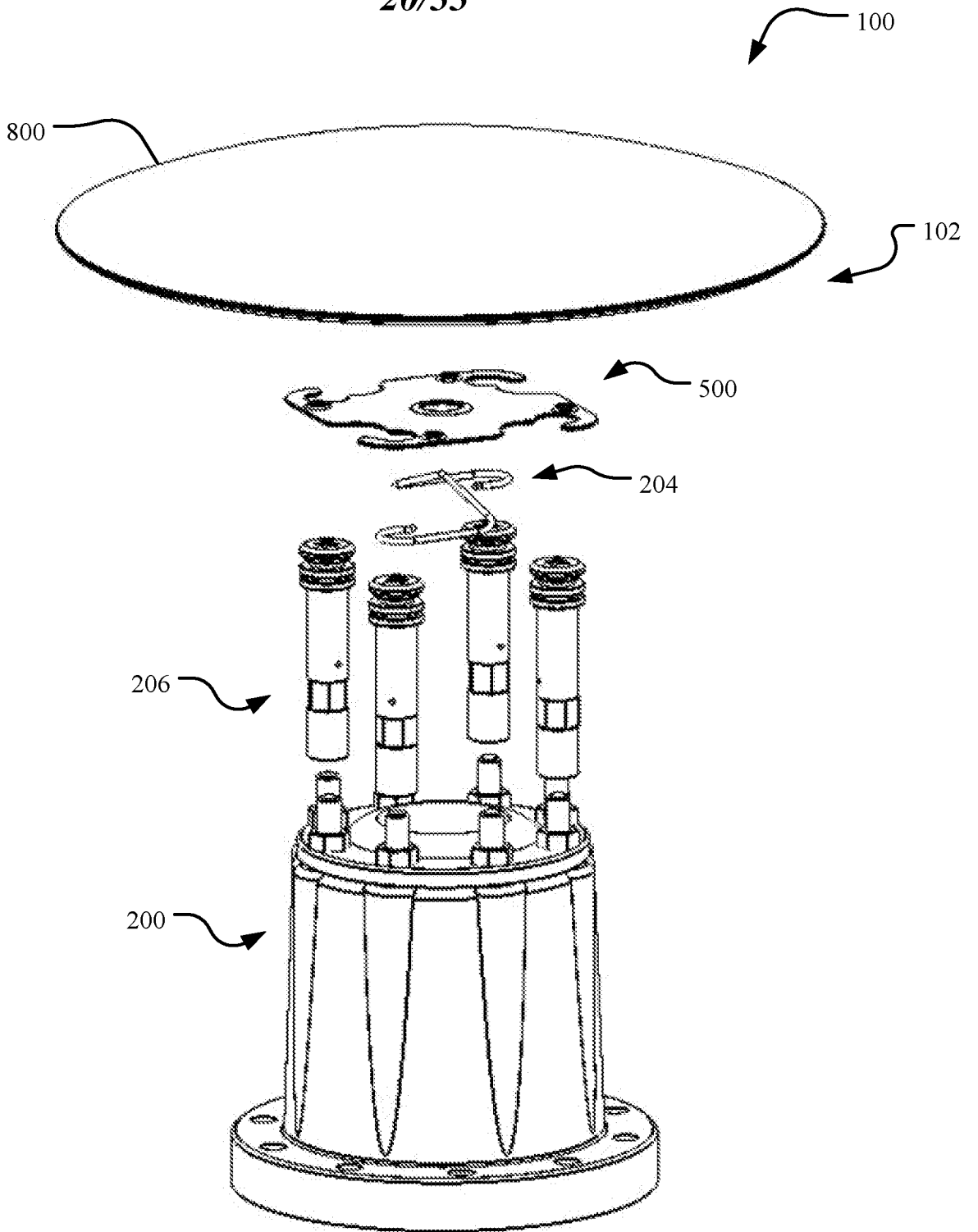


FIG. 20

21/33

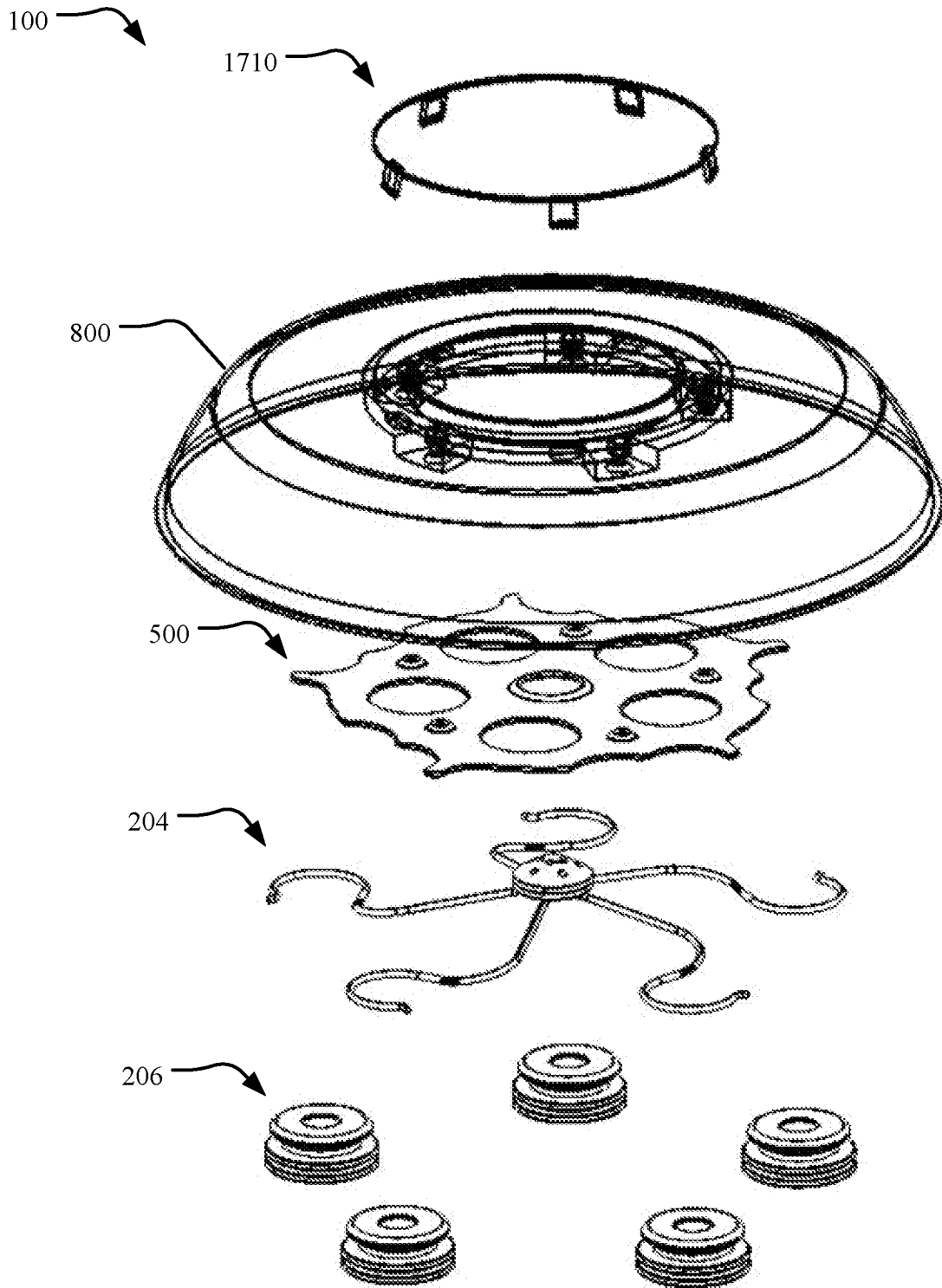


FIG. 21

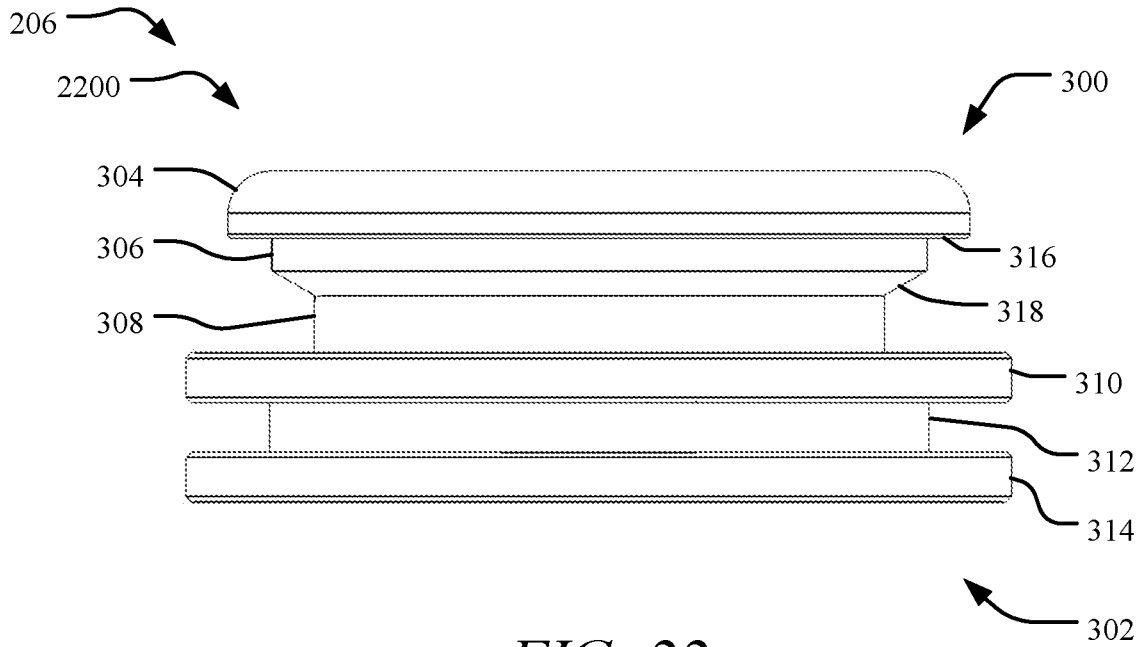


FIG. 22

23/33

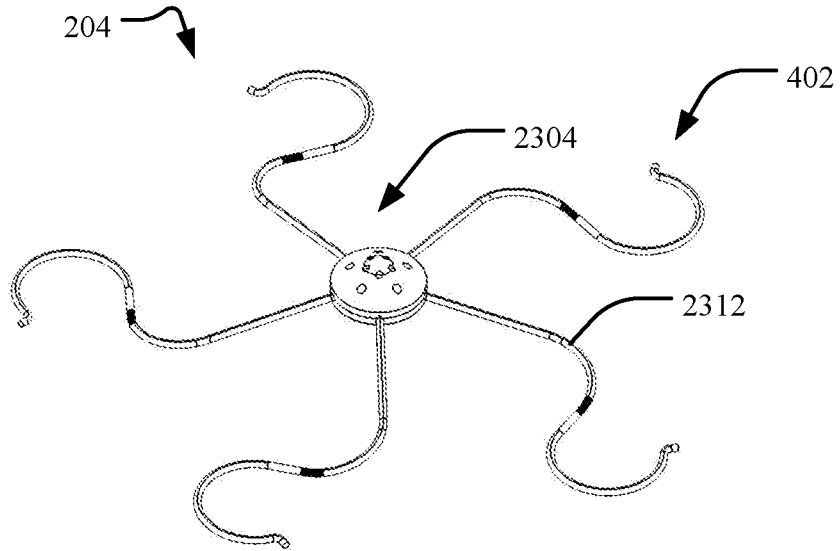


FIG. 23A

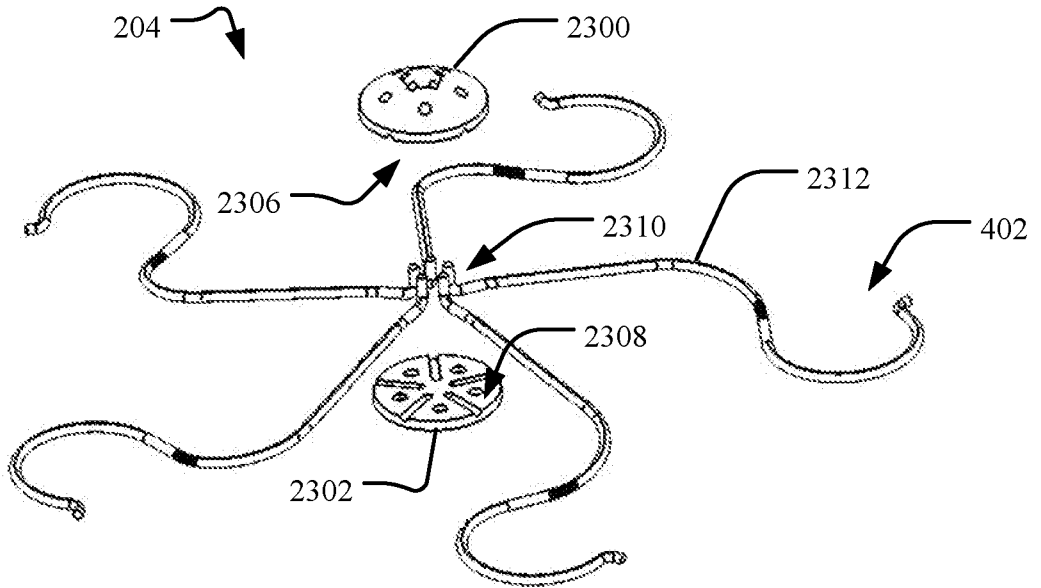


FIG. 23B

24/33

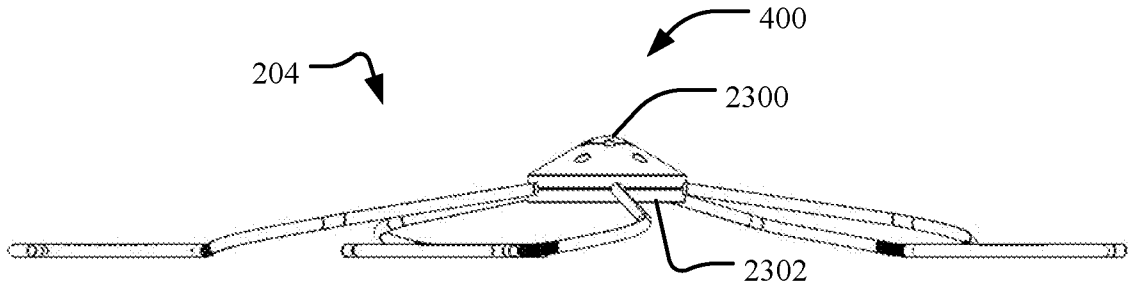


FIG. 24A

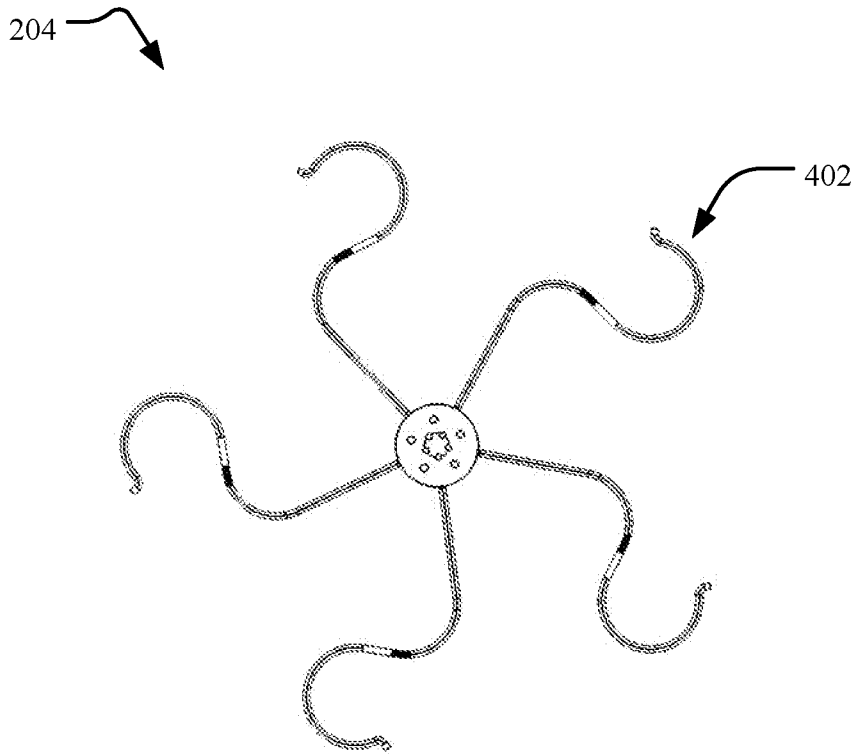


FIG. 24B

25/33

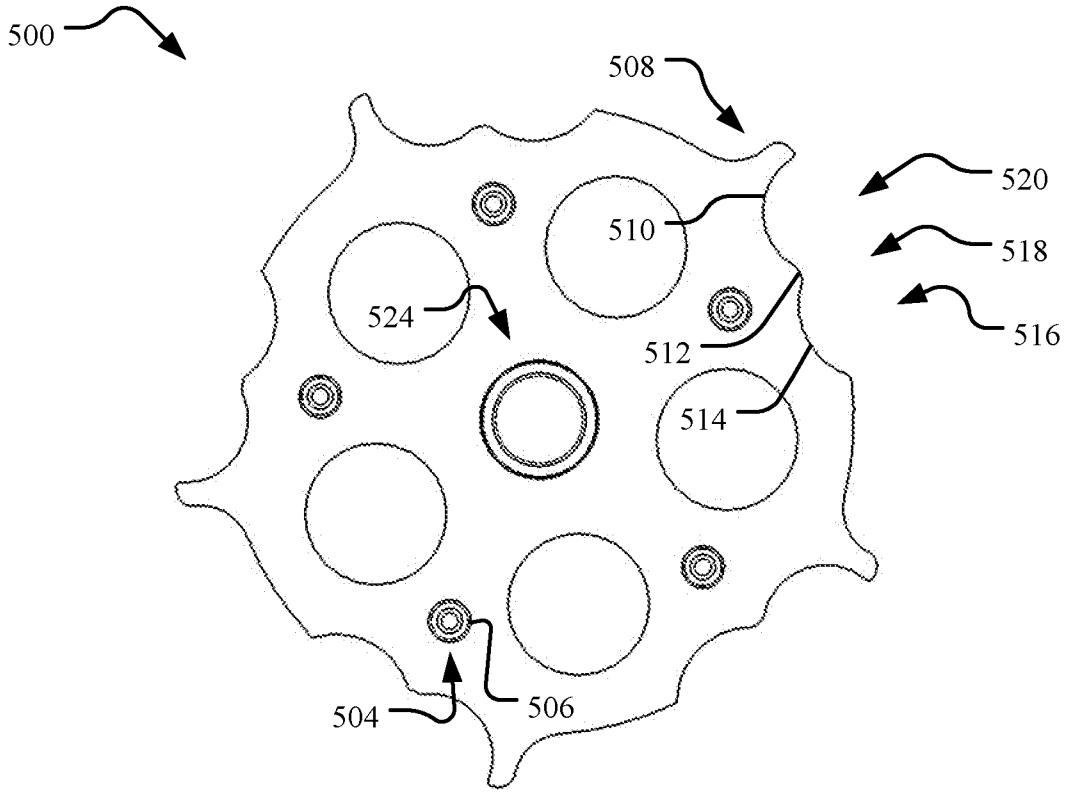


FIG. 25A

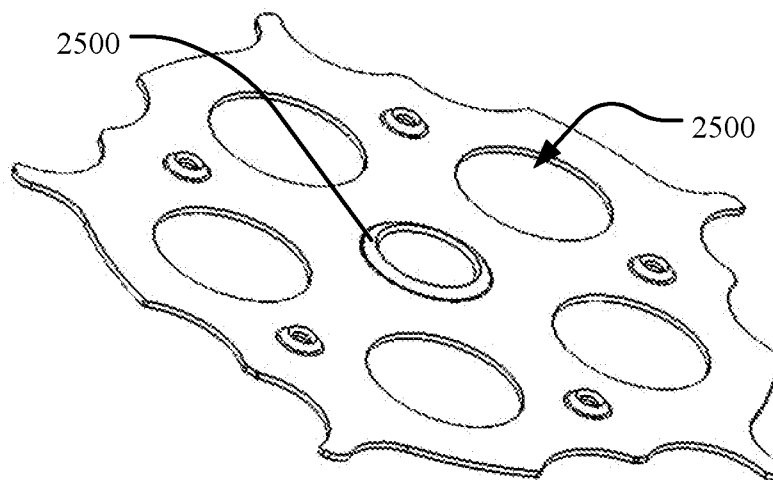


FIG. 25B

26/33

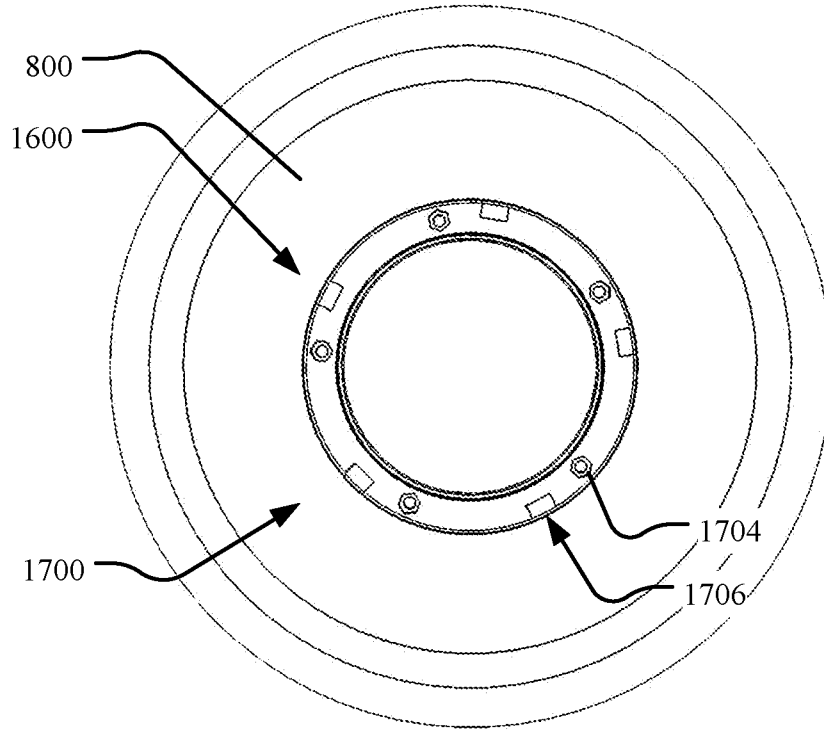


FIG. 26A

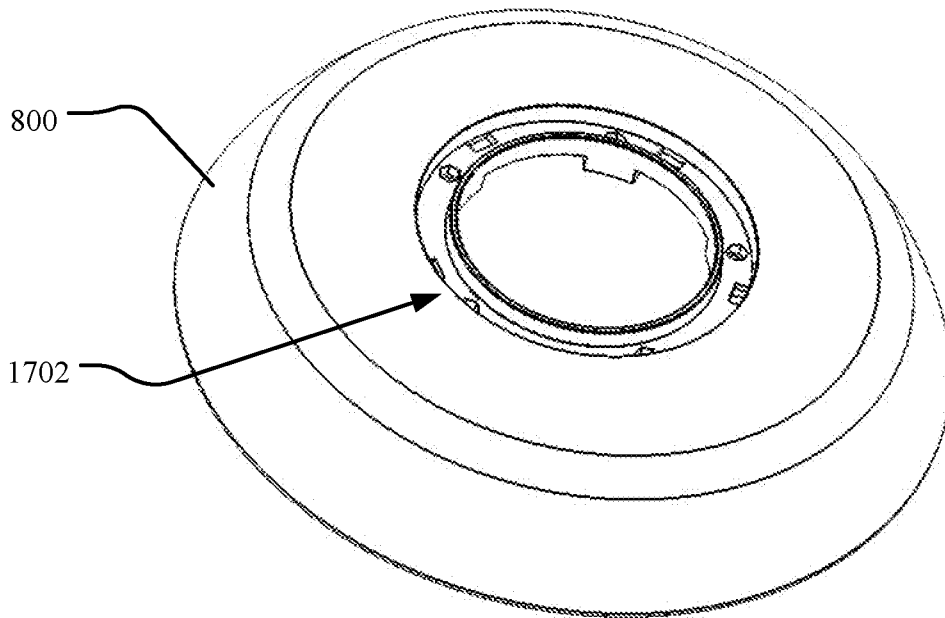


FIG. 26B

27/33

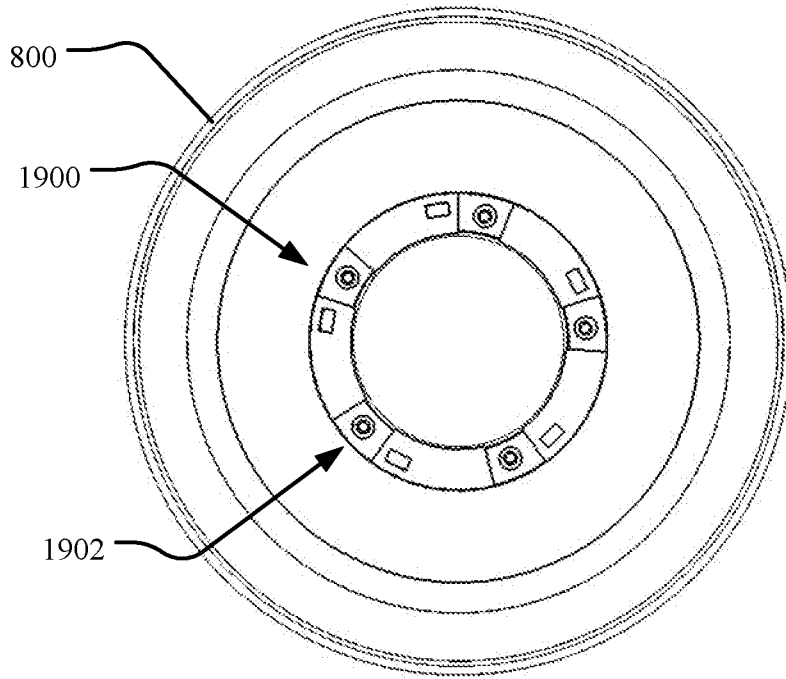


FIG. 27A

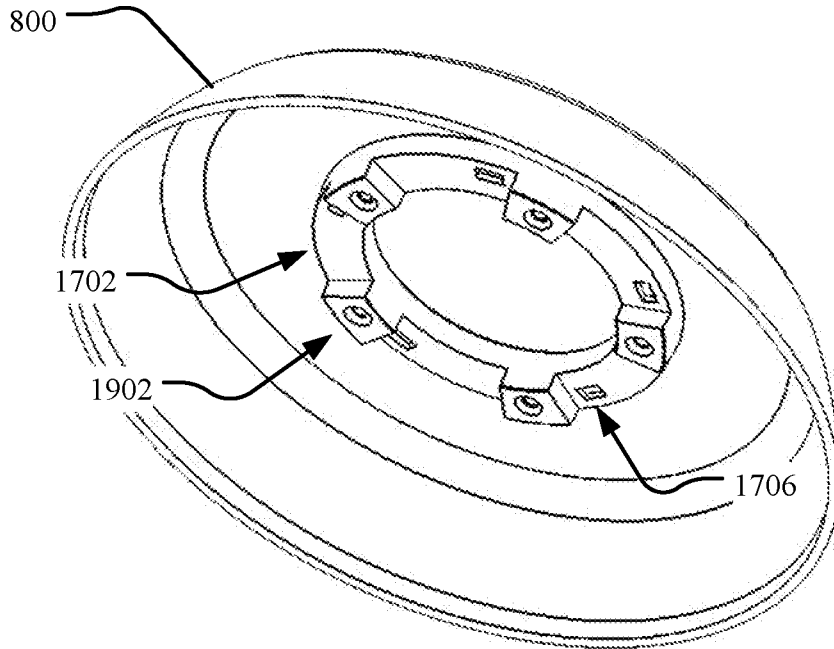


FIG. 27B

28/33

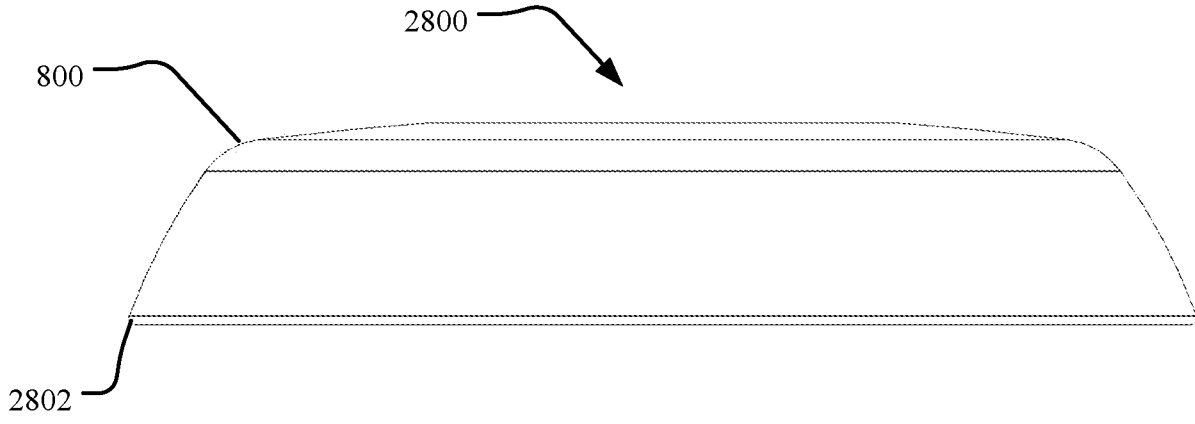


FIG. 28A

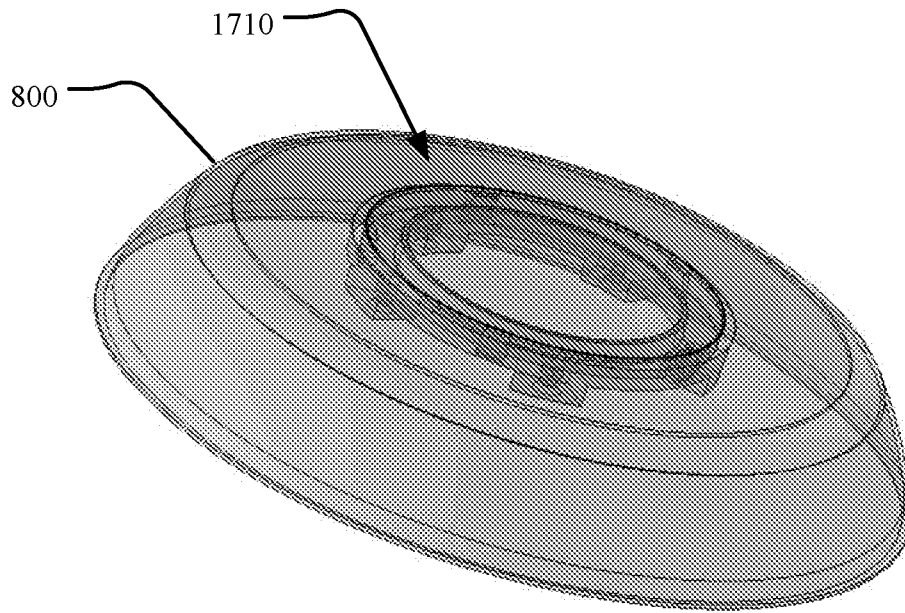


FIG. 28B

29/33

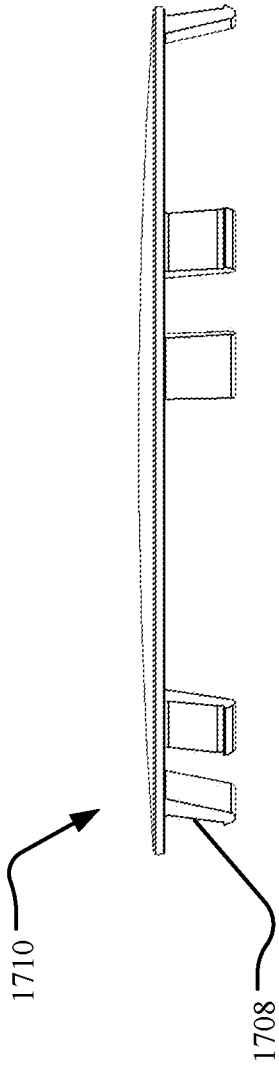


FIG. 29B

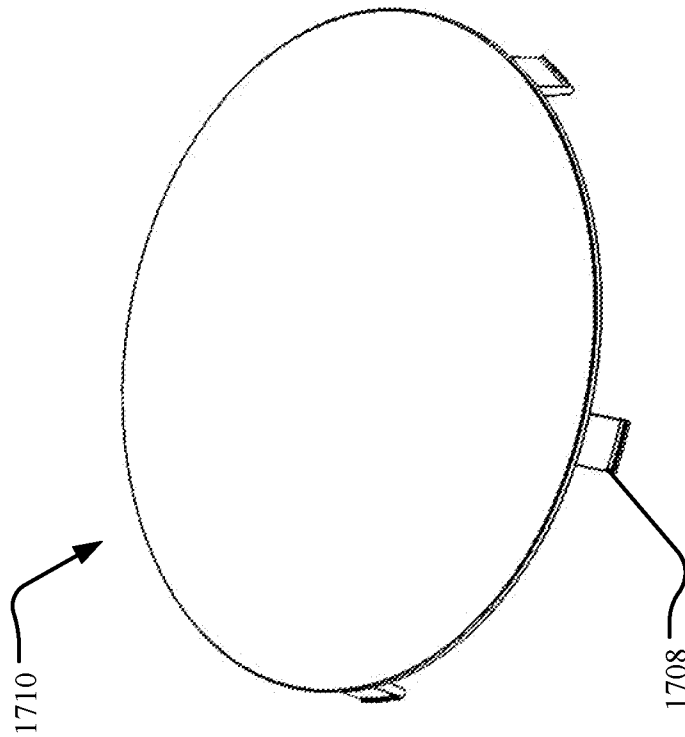


FIG. 29A

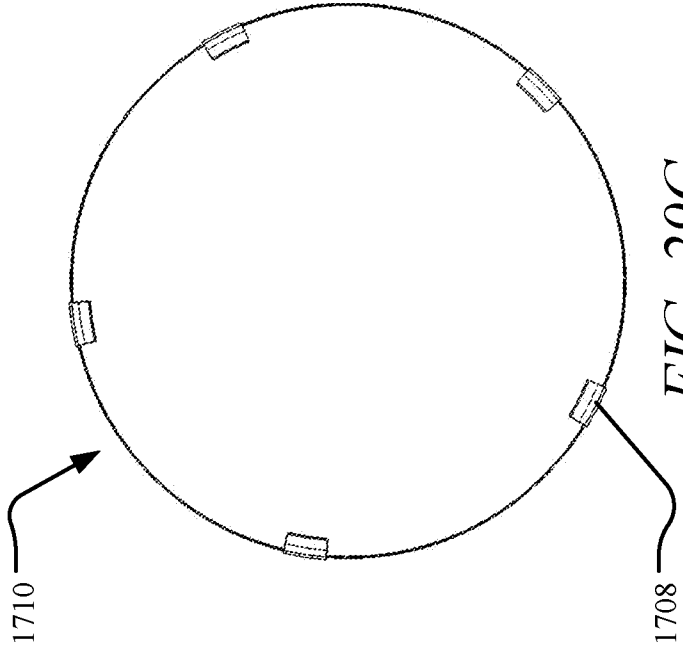


FIG. 29C

3000 ↗

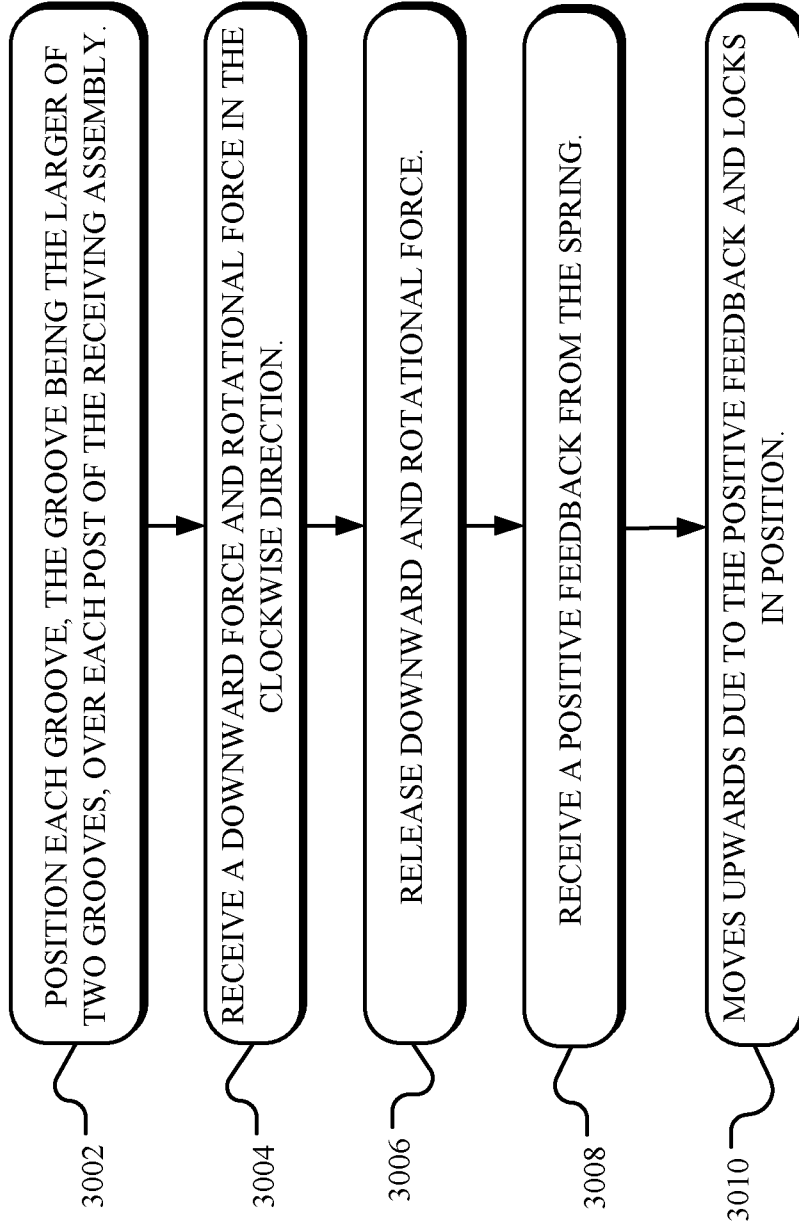


FIG. 30

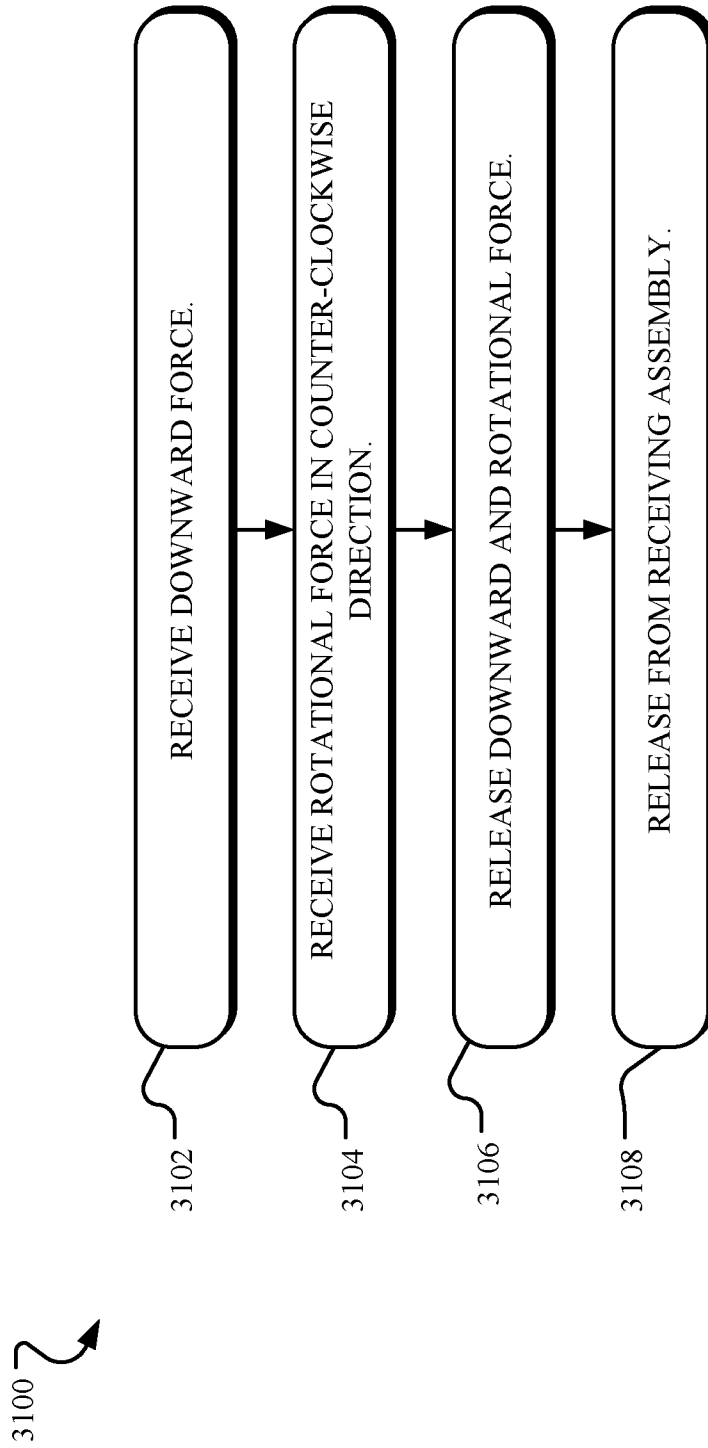
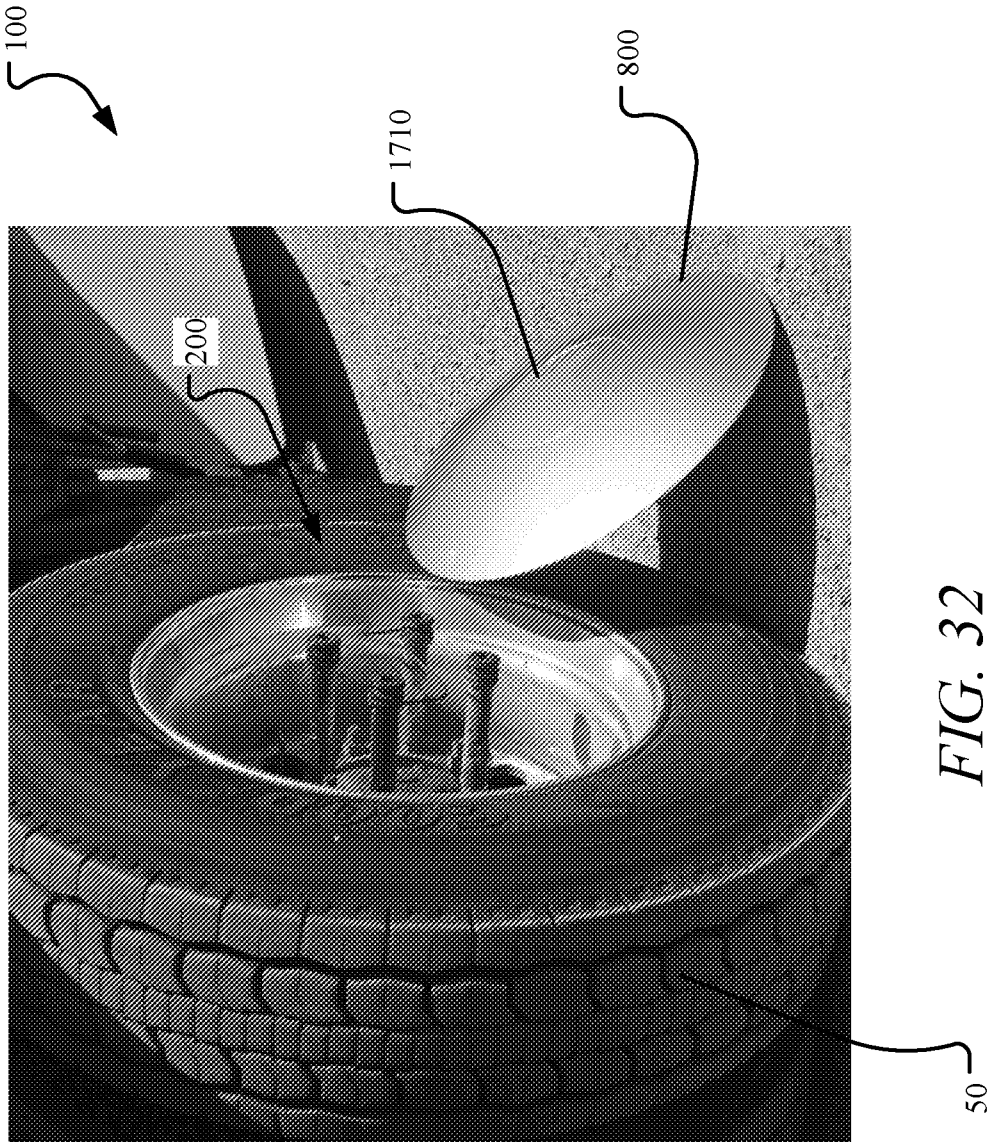


FIG. 31

32/33



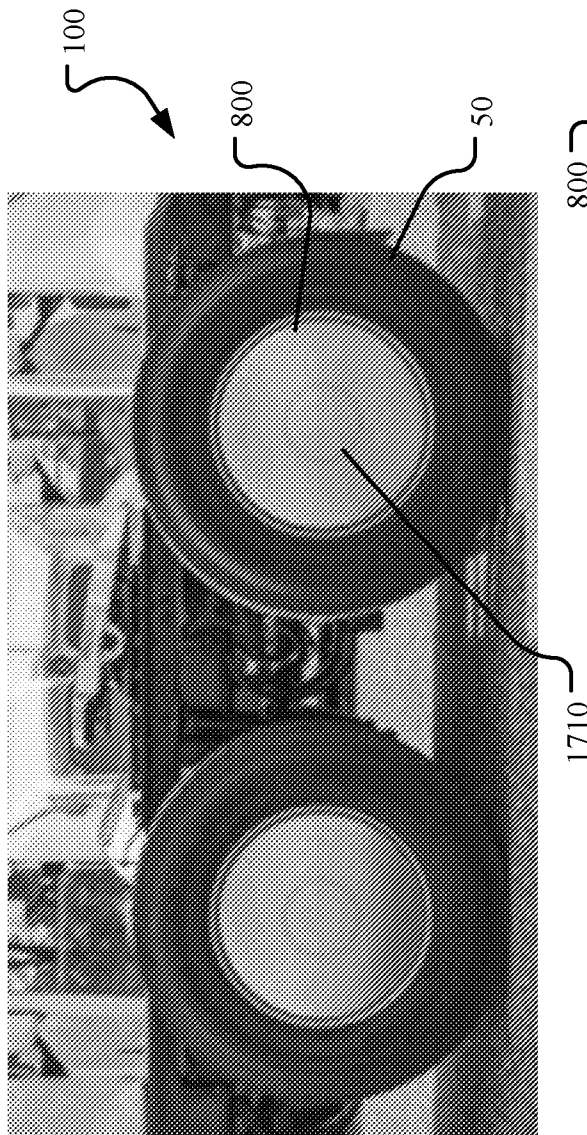


FIG. 33A

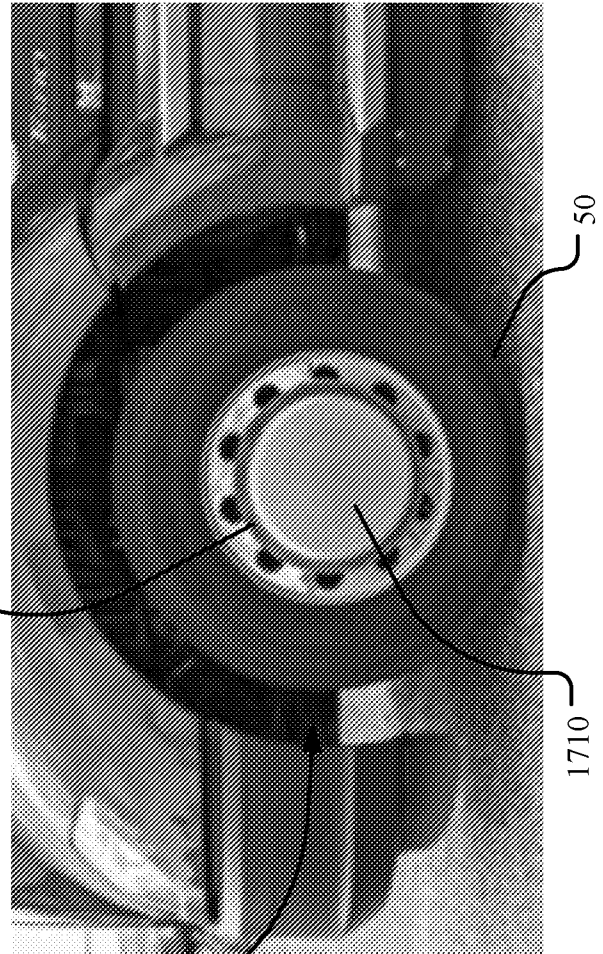


FIG. 33B

100

102

104

