



US00D379877S

United States Patent [19] Tilley

[11] **Patent Number:** Des. 379,877
[45] **Date of Patent:** **Jun. 17, 1997

[54] **BUNK BED FOR DORMITORY STYLE ROOMS**

FOREIGN PATENT DOCUMENTS

3031859 4/1982 Germany 5/9.1
2044085 10/1980 United Kingdom 5/9.1

[75] **Inventor:** Max L. Tilley, Falcon, Colo.

OTHER PUBLICATIONS

[73] **Assignee:** The United States of America as represented by the Secretary of the Air Force, Washington, D.C.

IKEA, c1992, p. 110, bunkbed at top.
Southern Market Preview, Apr. 1983, p. 63, bunk bed at lower left.

[**] **Term:** 14 Years

Primary Examiner—Janice E. Seeger
Attorney, Agent, or Firm—Stanton E. Collier

[21] **Appl. No.:** 48,231

[22] **Filed:** Dec. 22, 1995

[57] CLAIM

Related U.S. Application Data

The ornamental design for a bunk bed for dormitory style rooms, as shown and described.

[63] Continuation of Ser. No. 44,001, Aug. 14, 1995.

DESCRIPTION

[51] **LOC (6) Cl.** 06-01

[52] **U.S. Cl.** D6/384

[58] **Field of Search** D6/382-384, 393-395;
5/2.1, 8, 9.1, 279.1, 280, 907

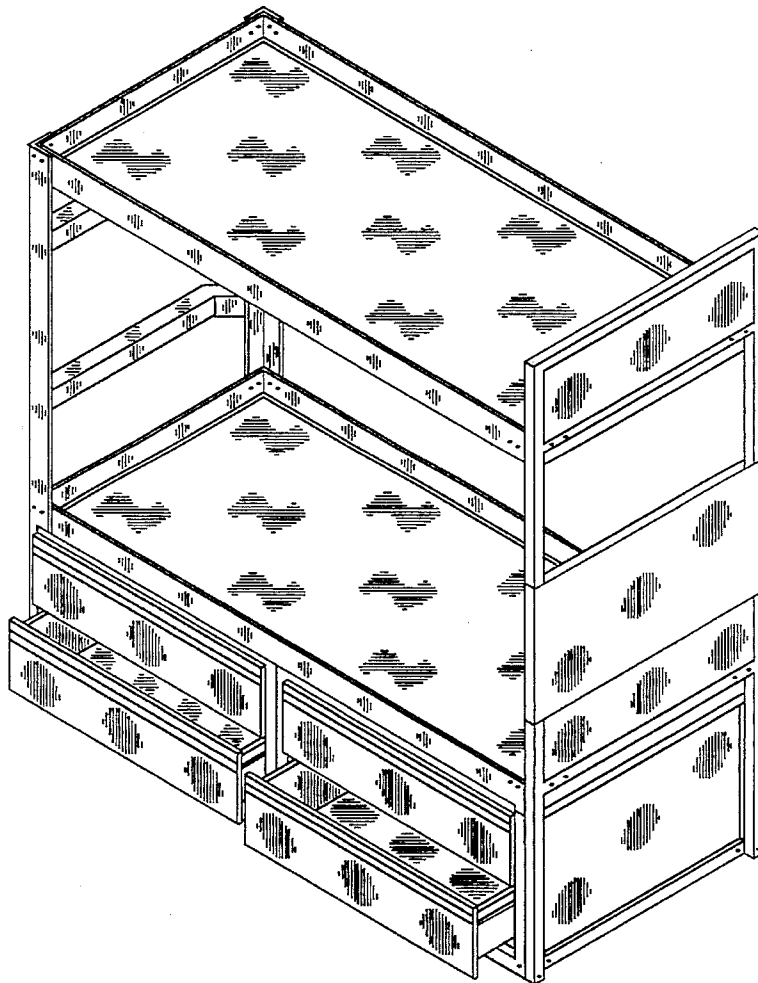
FIG. 1 is a front perspective view of a bunk bed for dormitory style rooms, showing my new design; FIG. 2 is a back perspective view thereof; FIG. 3 is a head side elevational view thereof; FIG. 4 is a front side elevational view thereof; and, FIG. 5 is a foot side elevational view thereof.

[56] References Cited

U.S. PATENT DOCUMENTS

2,774,976 12/1956 Ross 5/9.1

1 Claim, 4 Drawing Sheets



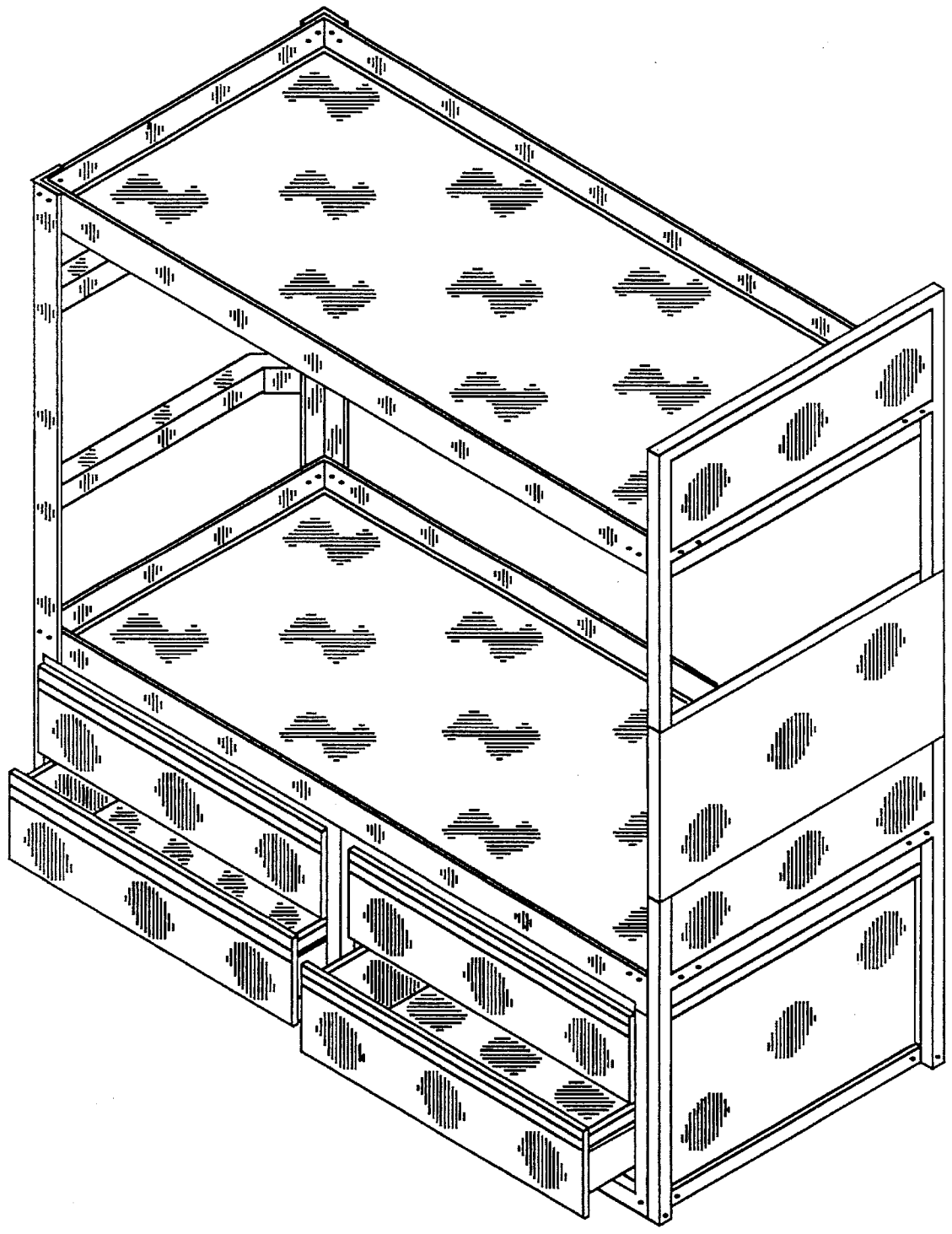


FIG. 1

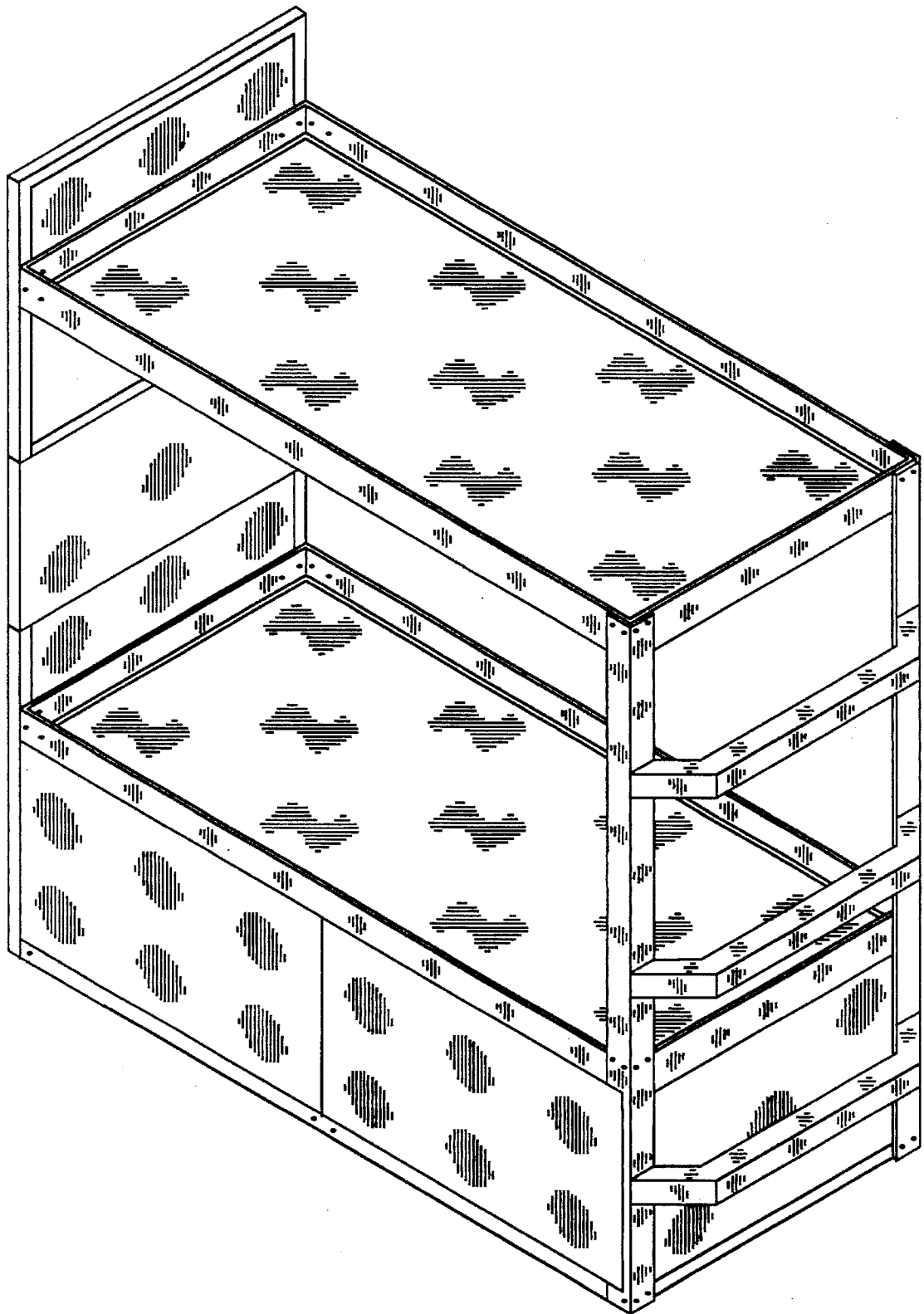


FIG. 2

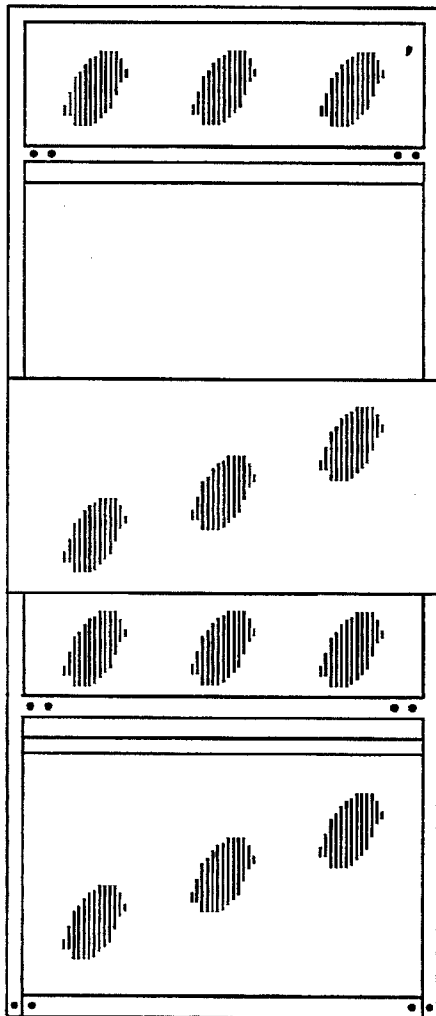


FIG. 3

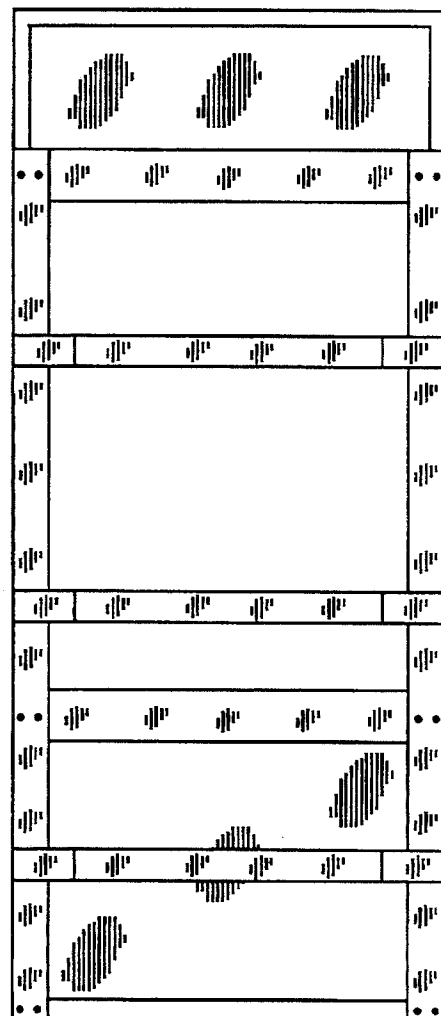


FIG. 5

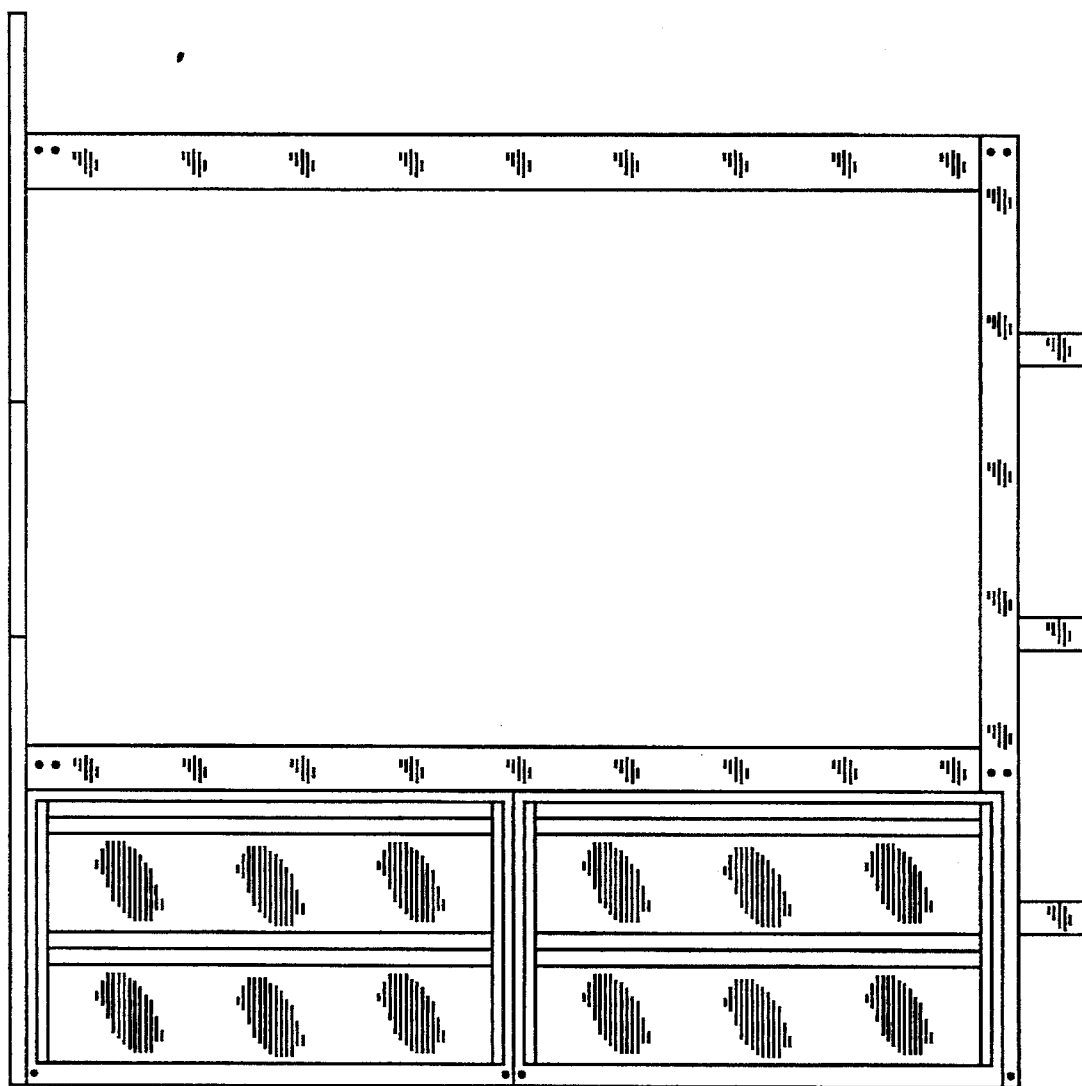


FIG. 4