



US0D1040643S

(12) **United States Design Patent**
Xu

(10) **Patent No.:** **US D1,040,643 S**

(45) **Date of Patent:** **** Sep. 3, 2024**

- (54) **LIGHT HOOK**
- (71) Applicant: **Xunzhun Xu**, Xianning (CN)
- (72) Inventor: **Xunzhun Xu**, Xianning (CN)
- (**) Term: **15 Years**
- (21) Appl. No.: **29/920,180**

| | | | | | |
|------------|------|---------|---------|-------|--------------|
| 11,076,534 | B1 * | 8/2021 | Kacines | | A47G 25/0614 |
| D938,628 | S * | 12/2021 | Qu | | D26/25 |
| D986,715 | S * | 5/2023 | Yi | | D8/367 |
| D1,003,689 | S * | 11/2023 | Deng | | D8/354 |
| D1,021,158 | S * | 4/2024 | Gong | | D26/2 |
| D1,032,024 | S * | 6/2024 | Yang | | D8/395 |
| 12,018,795 | B1 * | 6/2024 | Limber | | F16M 13/02 |

- (22) Filed: **Dec. 8, 2023**
- (51) **LOC (14) Cl.** **08-11**
- (52) **U.S. Cl.**
USPC **D8/367**; D11/130; D26/25
- (58) **Field of Classification Search**
USPC D8/356, 367, 354, 349; D11/130;
D26/25
CPC F16B 2/248; A61B 17/1227; B66C 1/14;
A47G 29/083
See application file for complete search history.

OTHER PUBLICATIONS

https://www.amazon.com/Stainless-Christmas-Outside-Heart-Shaped-Hanging/dp/B0CJFLWHHS/ref=zg_bs_g_16412771_sccl_21/133-5067461-9986360?psc=1.

* cited by examiner

Primary Examiner — Cynthia R Underwood
(74) *Attorney, Agent, or Firm* — Daniel M. Cohn;
Howard M. Cohn

(56) **References Cited**

U.S. PATENT DOCUMENTS

| | | | | | |
|------------|------|---------|-----------|-------|----------------------|
| 4,036,464 | A * | 7/1977 | Olson | | H04R 1/10 248/89 |
| D290,685 | S * | 7/1987 | Houston | | D8/368 |
| D354,675 | S * | 1/1995 | Bannister | | D8/367 |
| D369,292 | S * | 4/1996 | Gary | | D8/367 |
| D380,141 | S * | 6/1997 | McMichael | | D8/368 |
| D393,587 | S * | 4/1998 | Valerio | | D8/367 |
| D584,939 | S * | 1/2009 | Snell | | D8/367 |
| D700,828 | S * | 3/2014 | Goodman | | D8/367 |
| D864,698 | S * | 10/2019 | Wilson | | A45F 5/00 D8/367 |
| D870,539 | S * | 12/2019 | Lu | | D8/373 |
| 10,582,796 | B1 * | 3/2020 | Burr | | A47H 19/00 |
| D893,985 | S * | 8/2020 | Dankert | | D8/367 |
| D899,908 | S * | 10/2020 | Burr | | F16B 45/00 D8/368 |

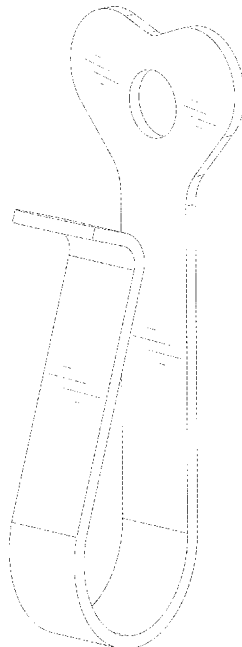
(57) **CLAIM**

The ornamental design for a light hook, as shown and described.

DESCRIPTION

FIG. 1 is a perspective view of a light hook showing my new design;
FIG. 2 is another perspective view thereof;
FIG. 3 is a front view thereof;
FIG. 4 is a back view thereof;
FIG. 5 is a left view thereof;
FIG. 6 is a right view thereof;
FIG. 7 is a top plan view thereof; and,
FIG. 8 is bottom plan view thereof.

1 Claim, 8 Drawing Sheets



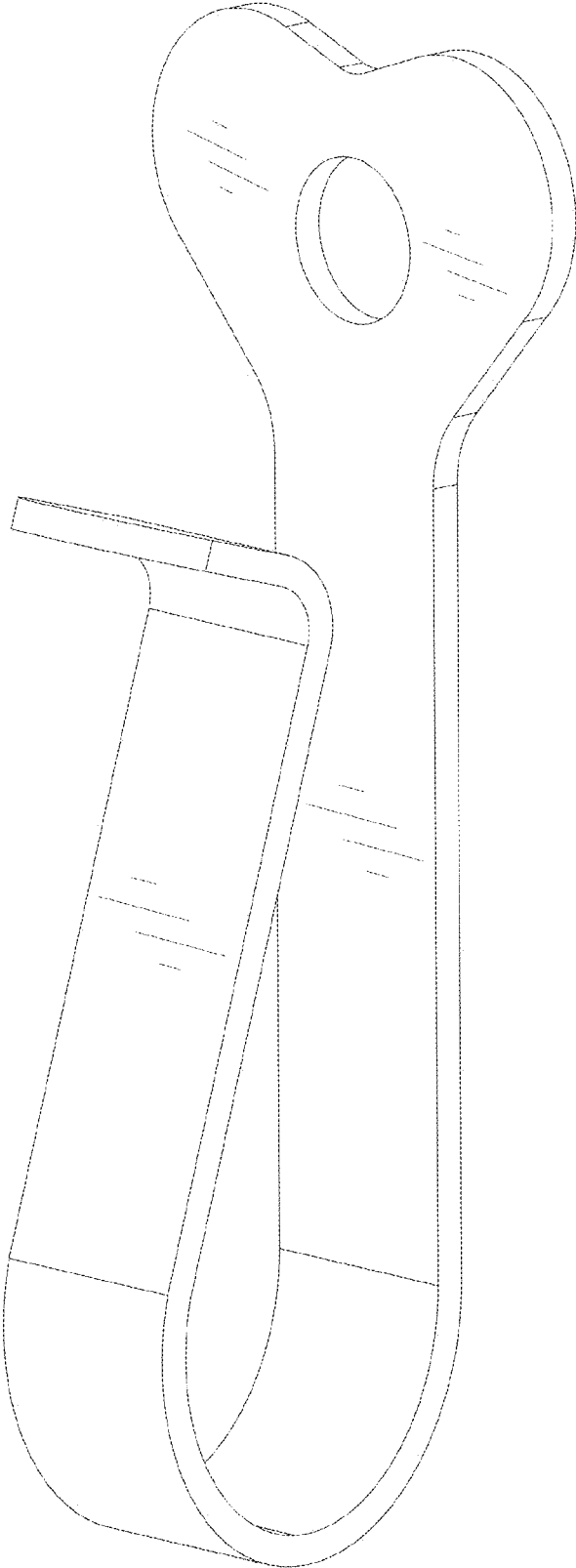


FIG. 1

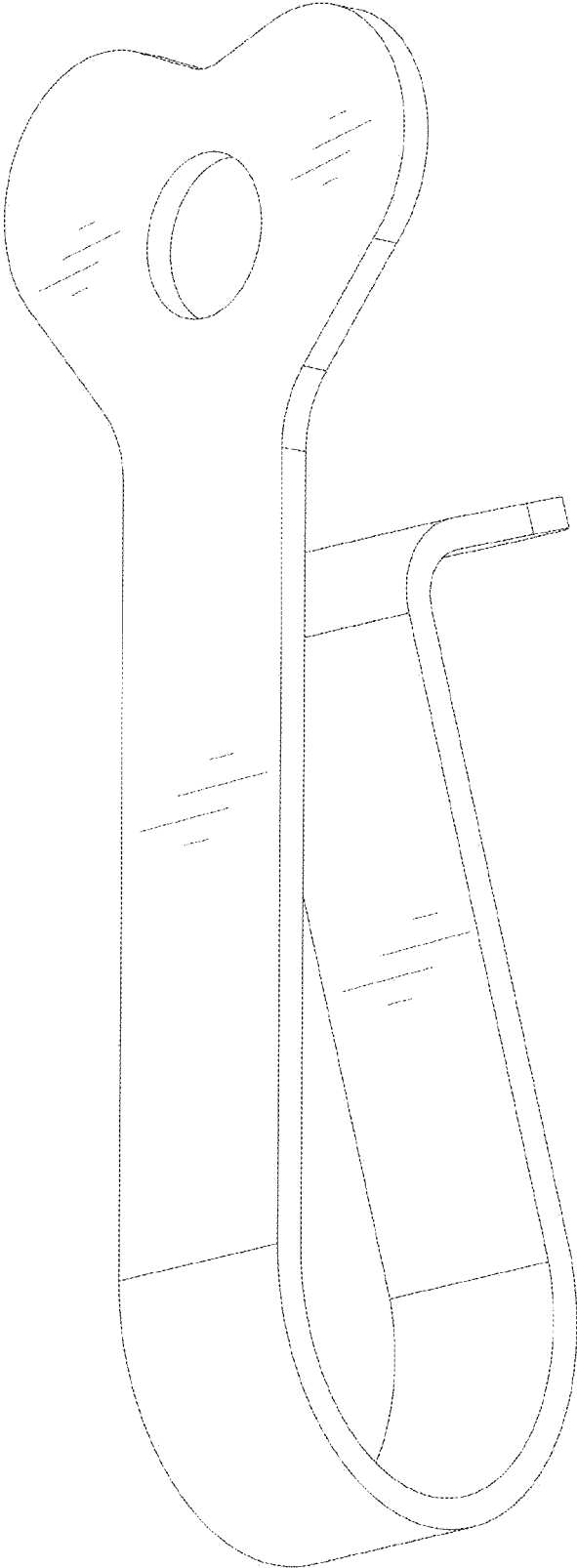


FIG. 2

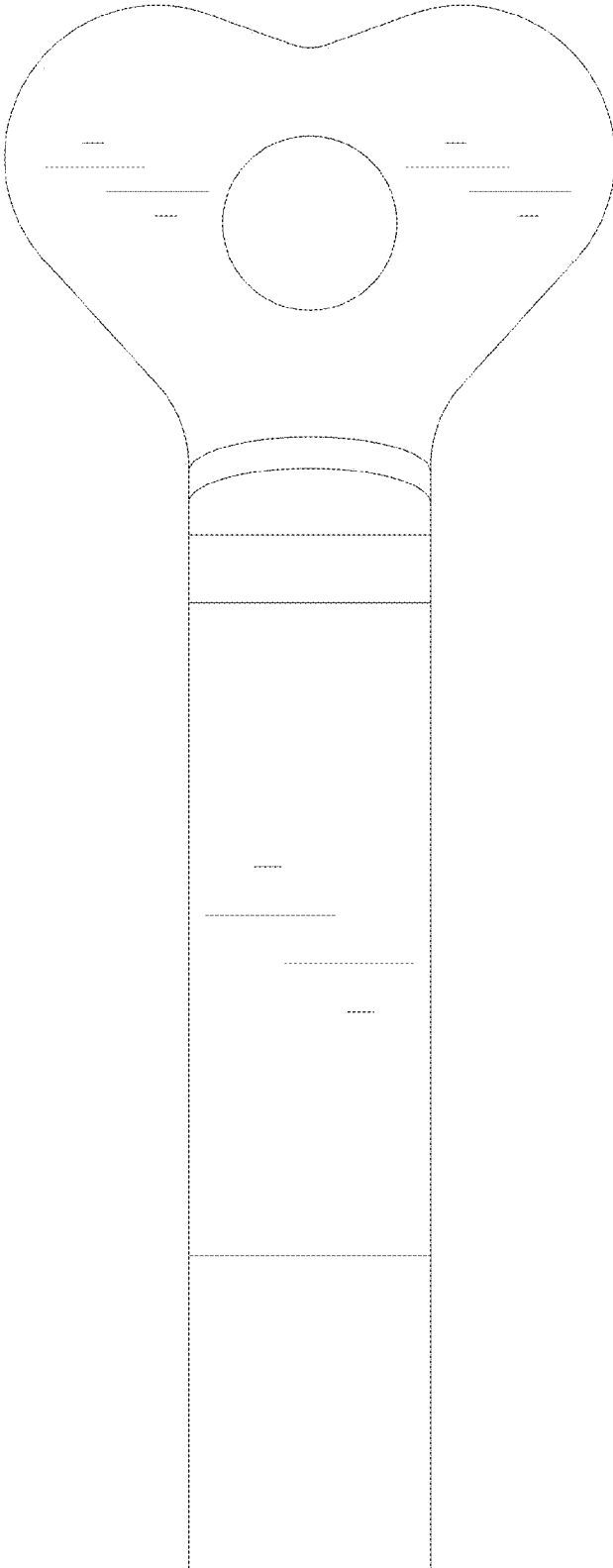


FIG. 3

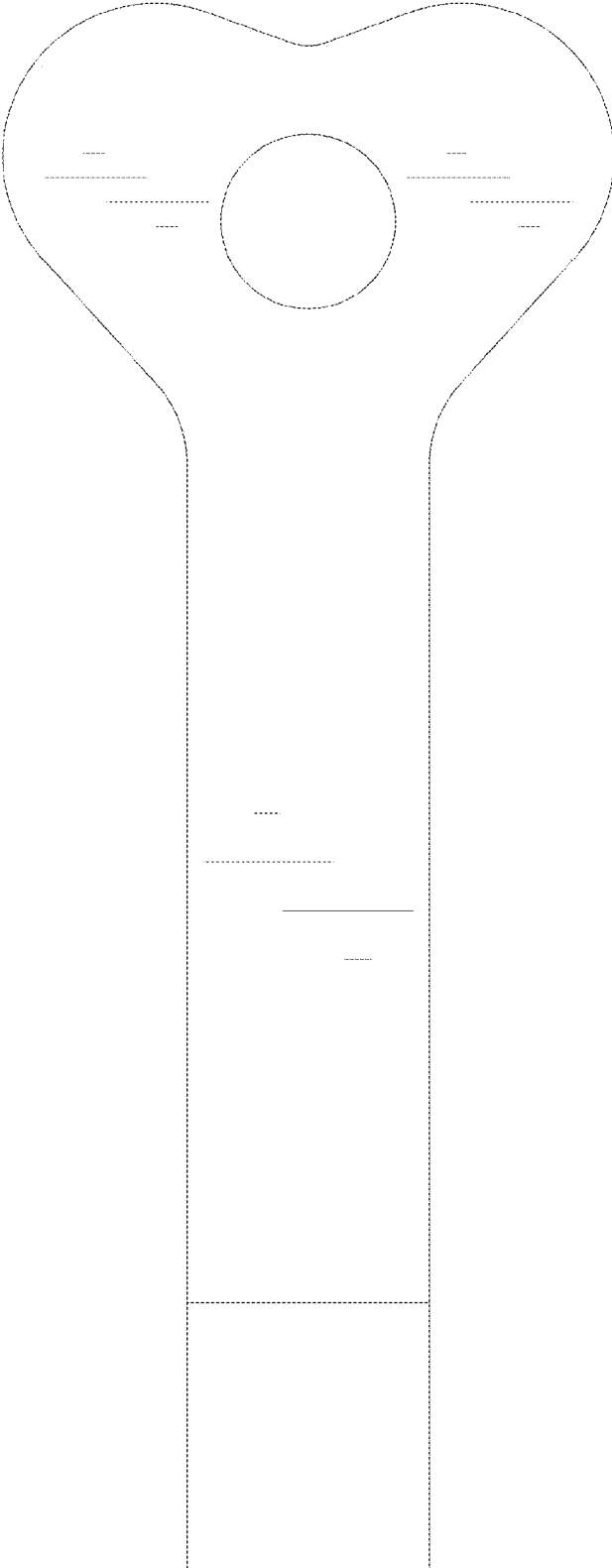


FIG. 4

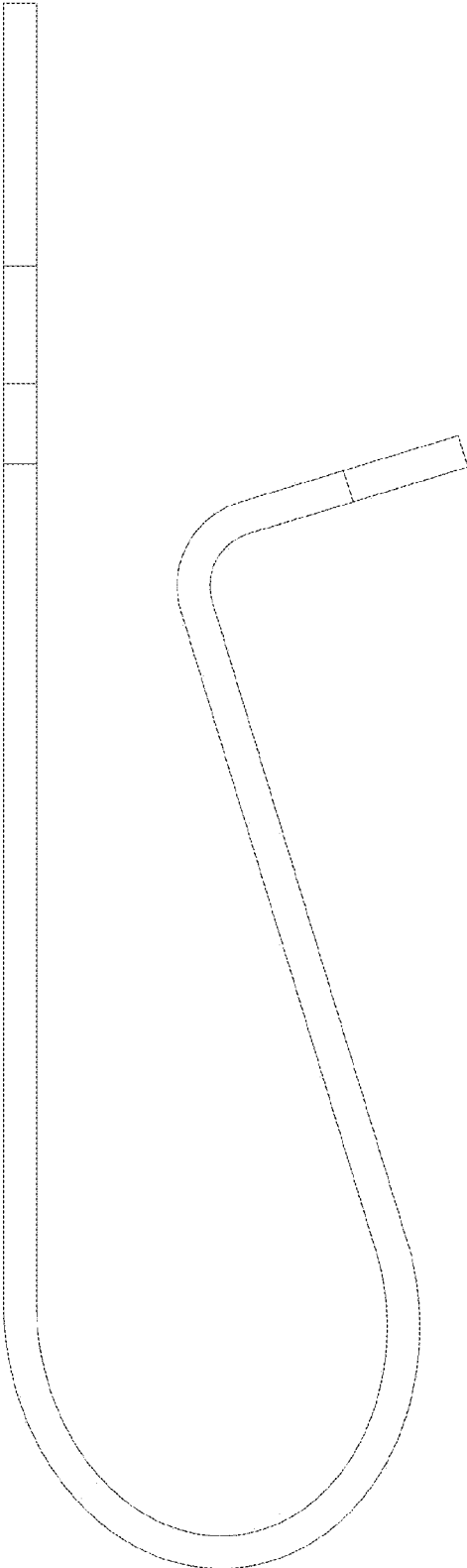


FIG. 5

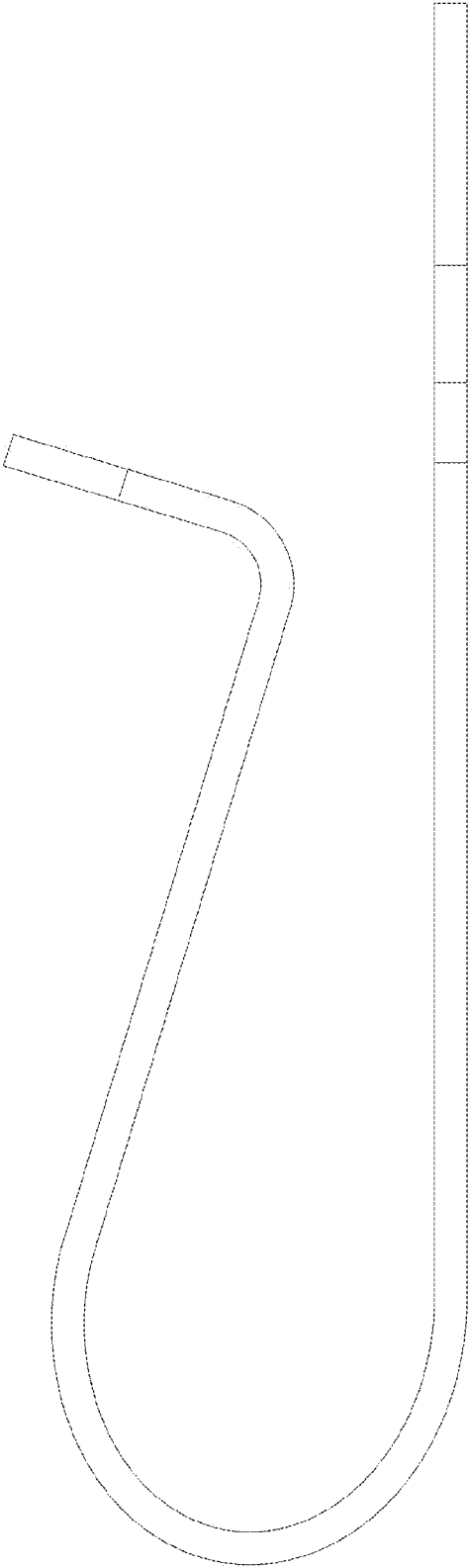


FIG. 6

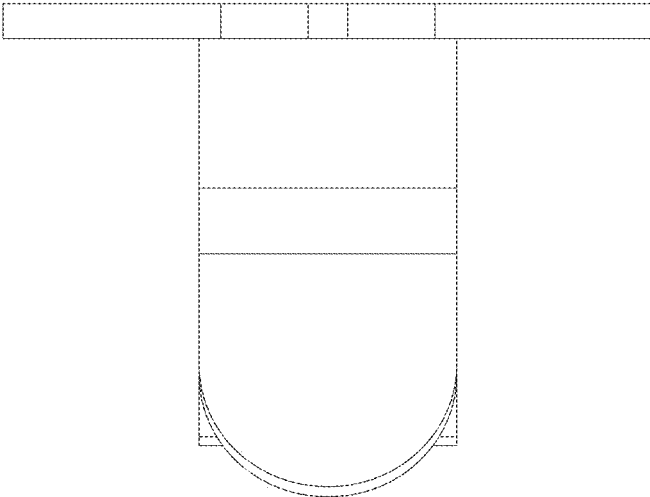


FIG. 7

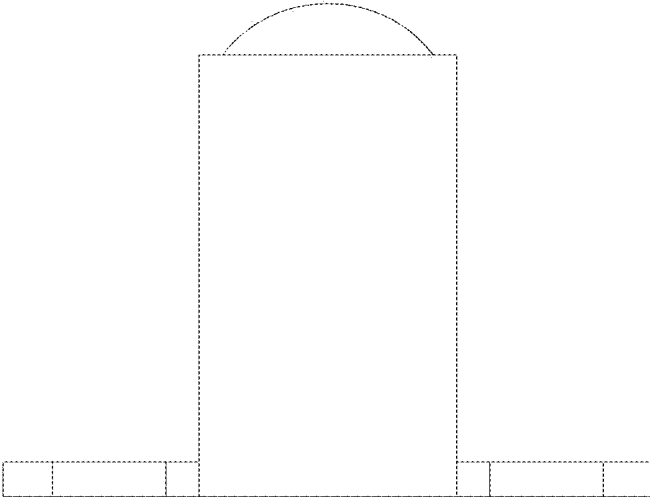


FIG. 8