



US00D757567S

(12) **United States Design Patent**
Henderson et al.

(10) **Patent No.:** **US D757,567 S**

(45) **Date of Patent:** **** May 31, 2016**

(54) **WATCH**

(71) Applicant: **Intel Corporation**, Santa Clara, CA (US)

(72) Inventors: **Scott Henderson**, Brooklyn, NY (US); **Christopher J. Verplaetse**, San Francisco, CA (US); **Bharadwaj Srinivasan**, San Francisco, CA (US); **Michael R. Arens**, San Francisco, CA (US); **Bashir F. Ziady**, San Francisco, CA (US); **Jeffrey L. Holove**, Camas, WA (US)

(73) Assignee: **Intel Corporation**, Santa Clara, CA (US)

(**) Term: **14 Years**

(21) Appl. No.: **29/513,098**

(22) Filed: **Dec. 26, 2014**

(51) **LOC (10) Cl.** **10-02**

(52) **U.S. Cl.**

USPC **D10/30**; D10/32; D10/38; D14/344

(58) **Field of Classification Search**

USPC D10/30-39, 1-29, 122-132; D11/3; D14/344, 138 R

CPC G04B 19/00; G04B 19/065; G04B 37/00; G04B 37/0008; G04B 37/0058; G04B 39/00; G04G 9/00; G04G 9/0017; G04G 9/0094; G04G 17/00; G04G 17/08

See application file for complete search history.

(56) **References Cited**

U.S. PATENT DOCUMENTS

2,232,300 A * 2/1941 Arbey G04B 37/04 368/228
2,467,050 A * 4/1949 Piquerez G04B 19/065 368/294
2,959,912 A * 11/1960 Morf G04B 39/00 368/294
3,269,108 A * 8/1966 Mottironi G04B 19/065

368/281
3,603,014 A * 9/1971 Schomburg G09D 3/10 40/107
D244,761 S * 6/1977 Sulek D10/38
D362,397 S * 9/1995 Helleu D10/30
5,838,643 A * 11/1998 Reiner G04G 9/02 368/223
D419,899 S * 2/2000 Levar D10/104.1
D462,909 S * 9/2002 Cattin D10/39
6,882,597 B2 * 4/2005 Kent G04G 9/02 368/223
D528,442 S * 9/2006 Bedat D10/39

(Continued)

Primary Examiner — Martie K Holtje

(74) *Attorney, Agent, or Firm* — Patent Capital Group

(57) **CLAIM**

The ornamental design for a watch, as shown and described.

DESCRIPTION

FIG. 1 is a left front perspective view of a watch showing our new design;

FIG. 2 is a front elevational view thereof;

FIG. 3 is a rear elevational view thereof;

FIG. 4 is a right side elevational view thereof;

FIG. 5 is a left side elevational view thereof;

FIG. 6 is a top plan view thereof;

FIG. 7 is a bottom plan view thereof;

FIG. 8 is a rear perspective view thereof;

FIG. 9 is a detail rear elevational view, drawn to an enlarged scale with respect to FIGS. 1 through 8, and 10; and,

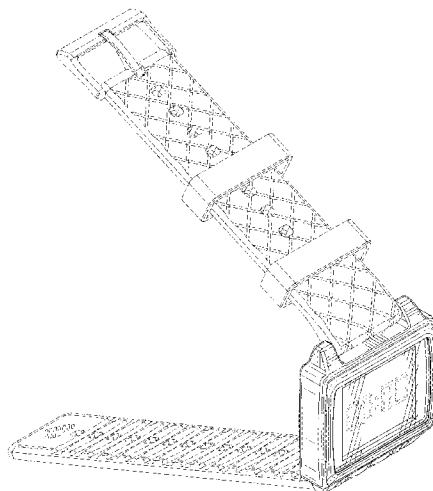
FIG. 10 is a left front perspective view, drawn to a reduced scale with respect to FIGS. 1 through 9, shown in use.

The numerals depicted by broken lines in FIGS. 1, 2, and 10 have been shown for the purpose of illustrating portions of the watch that form no part of the claimed design.

The watch straps in the drawing views and the hand and arm portion in FIG. 10 have been shown for the purpose of illustrating environment that forms no part of the claimed design.

The non-oblique line shading in the drawing views is provided to illustrate contour, not surface ornamentation.

1 Claim, 10 Drawing Sheets



US D757,567 S

Page 2

(56)

References Cited

U.S. PATENT DOCUMENTS

D531,524 S *	11/2006	Behling	D10/38	D599,681 S *	9/2009	Chen	D10/32
D542,159 S *	5/2007	Junod	D10/38	D617,212 S *	6/2010	Behling	D10/38
D568,181 S *	5/2008	Rabassa	D10/39	D622,166 S *	8/2010	Monachon	D10/39
				D638,312 S *	5/2011	Jacobs	D10/32
				D652,327 S *	1/2012	Bodino	D10/38

* cited by examiner

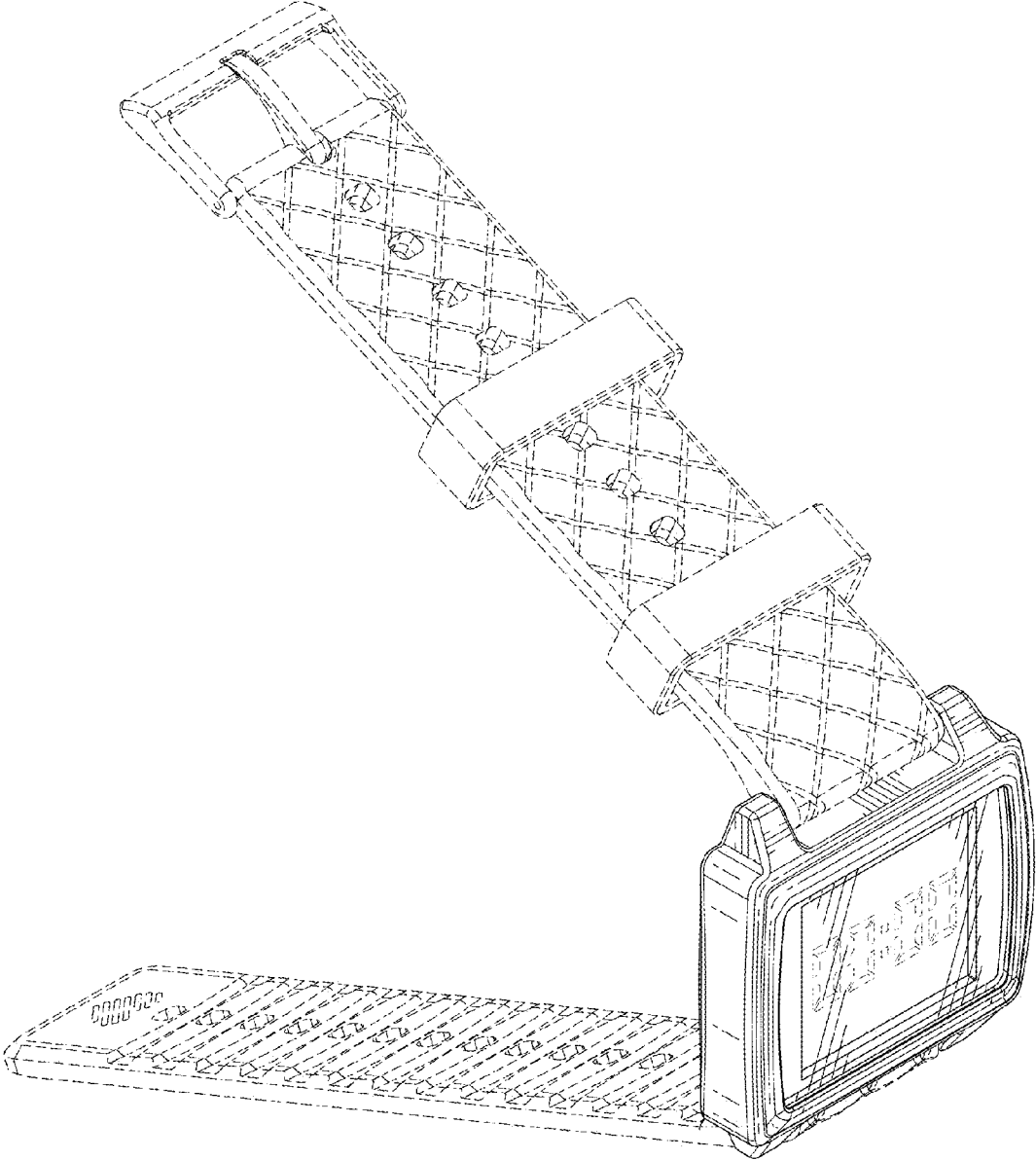


FIG. 1

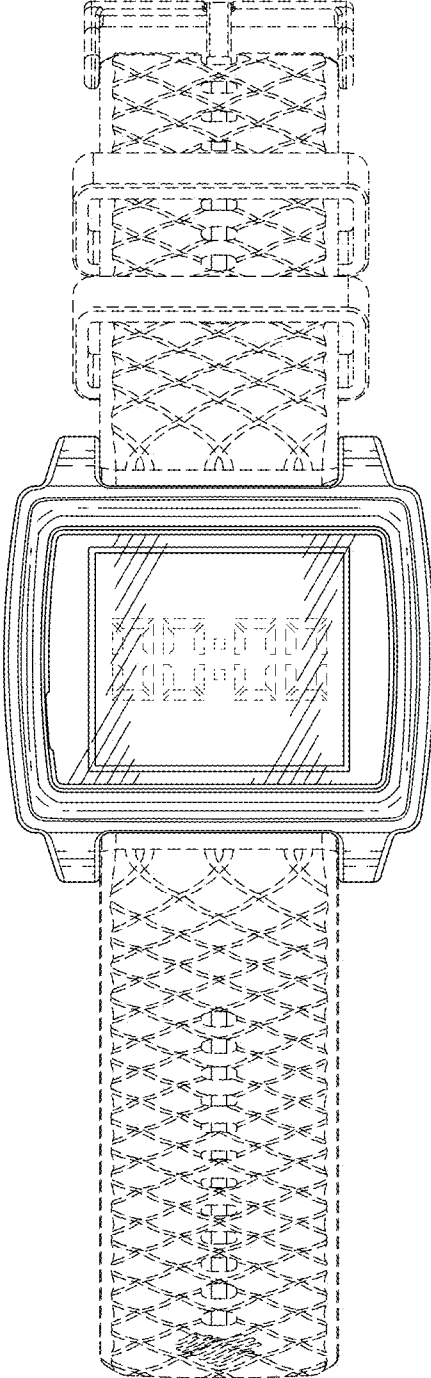


FIG. 2

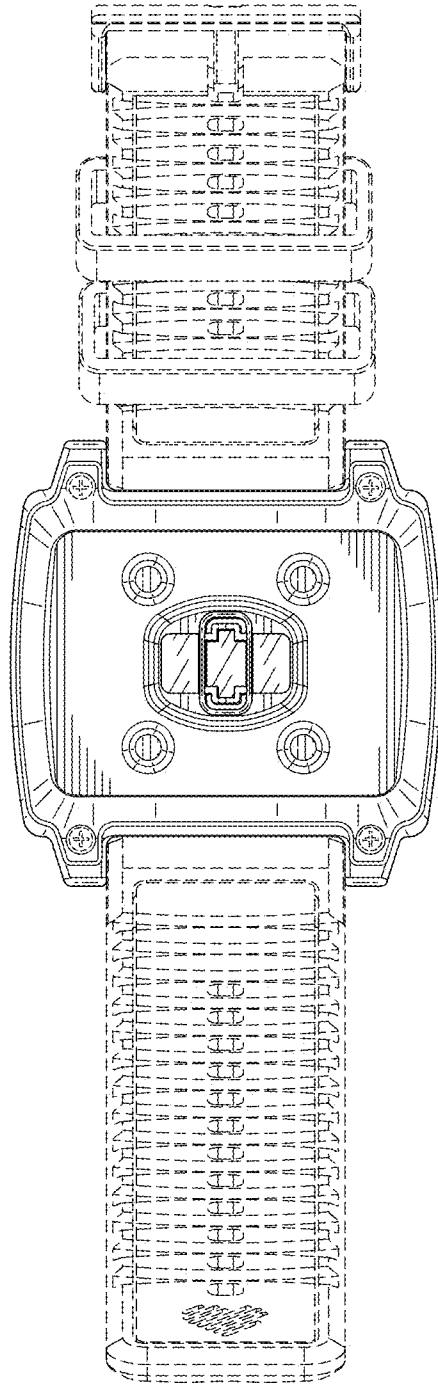


FIG. 3

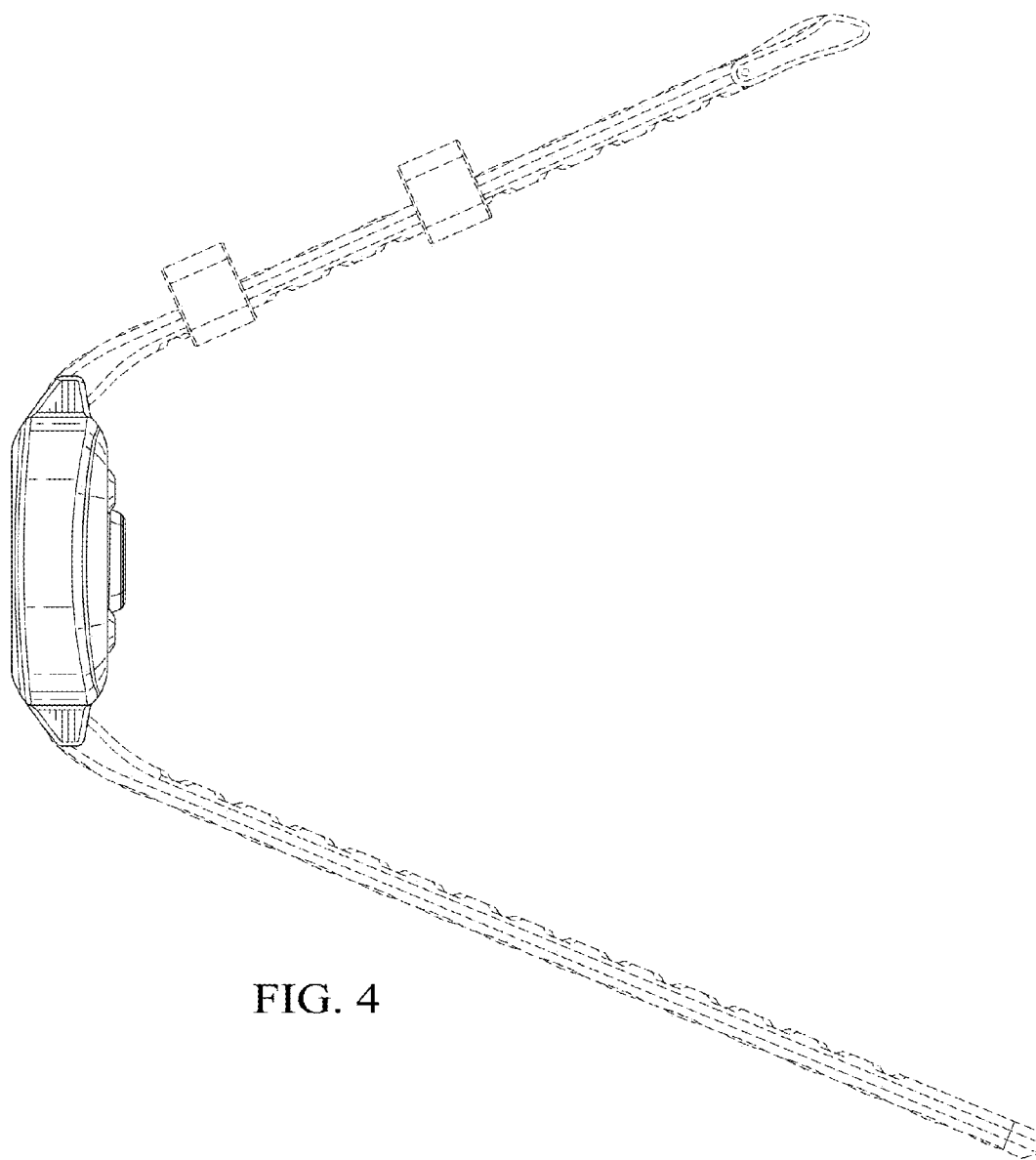


FIG. 4

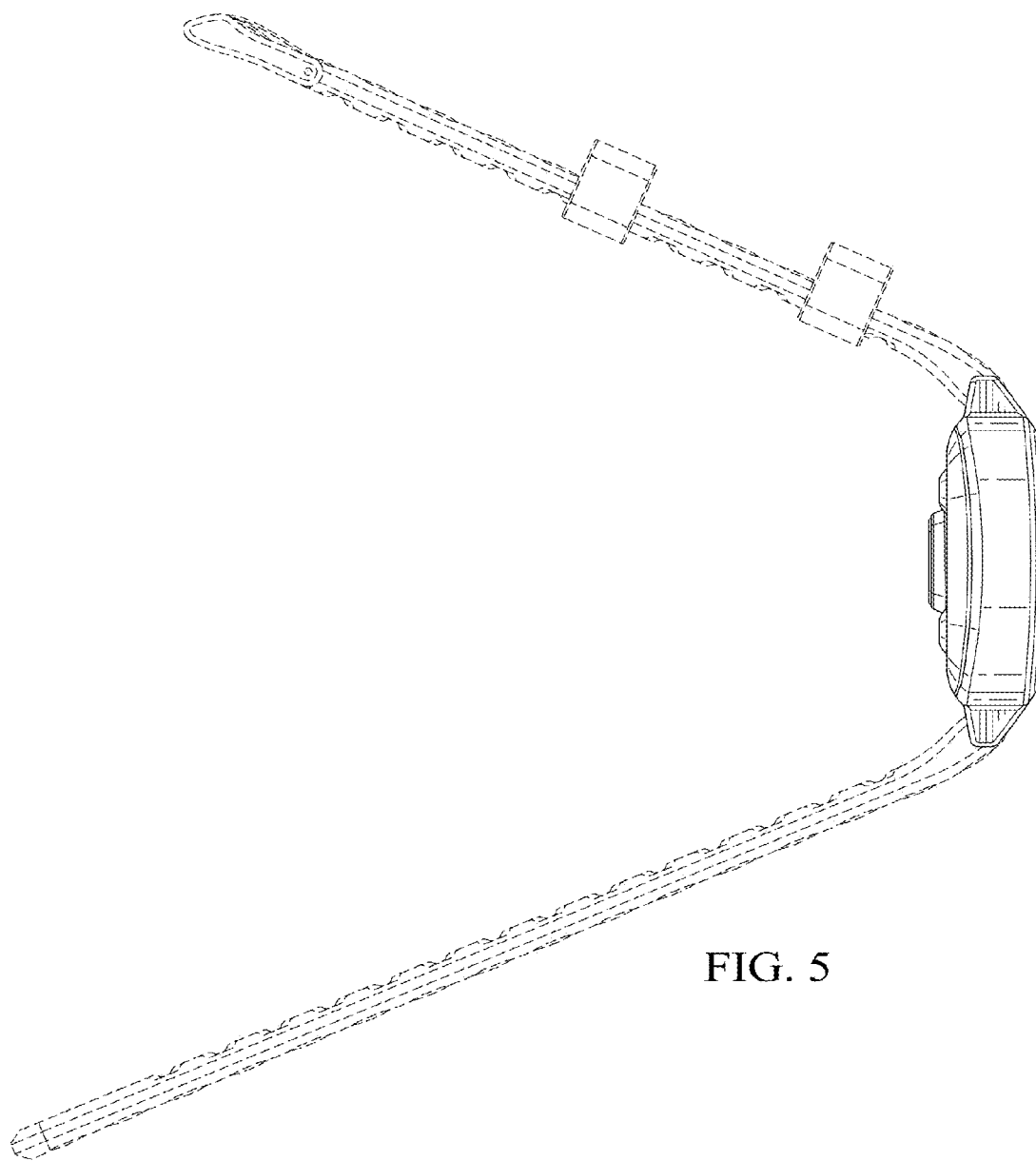


FIG. 5

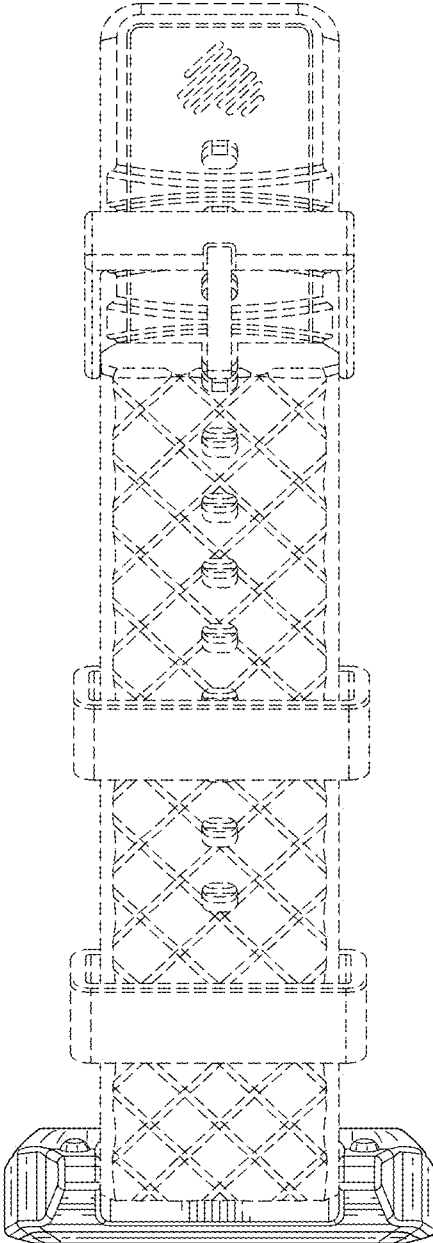


FIG. 6

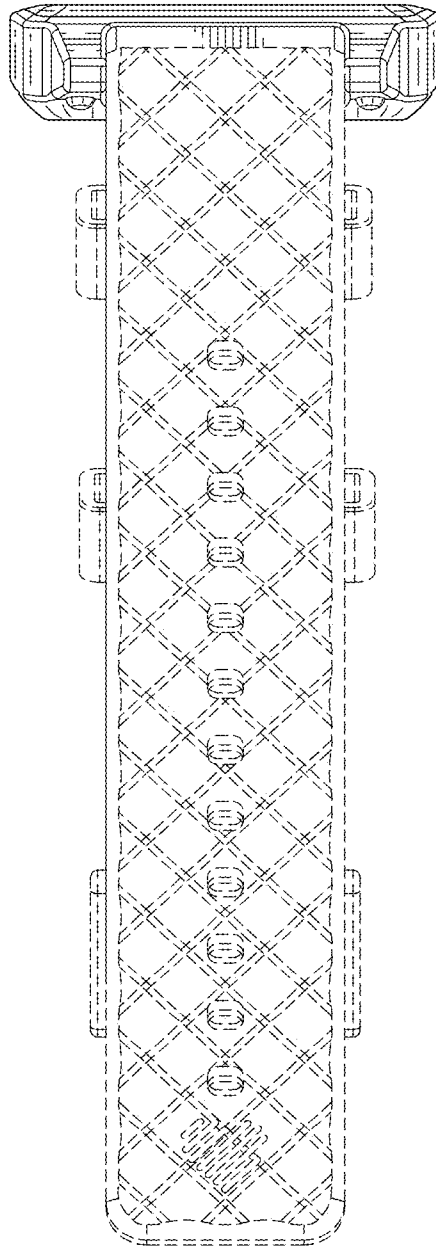


FIG. 7

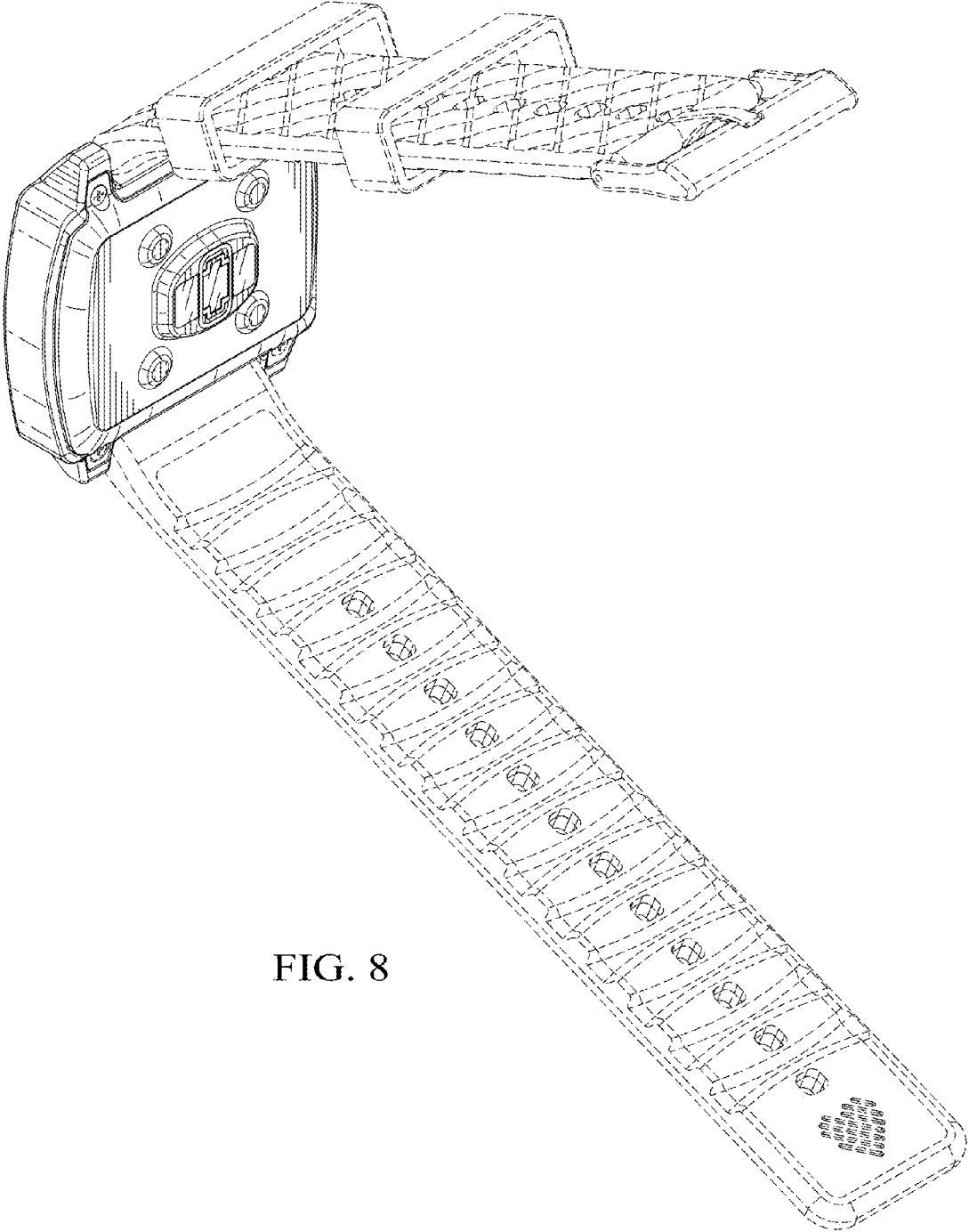


FIG. 8

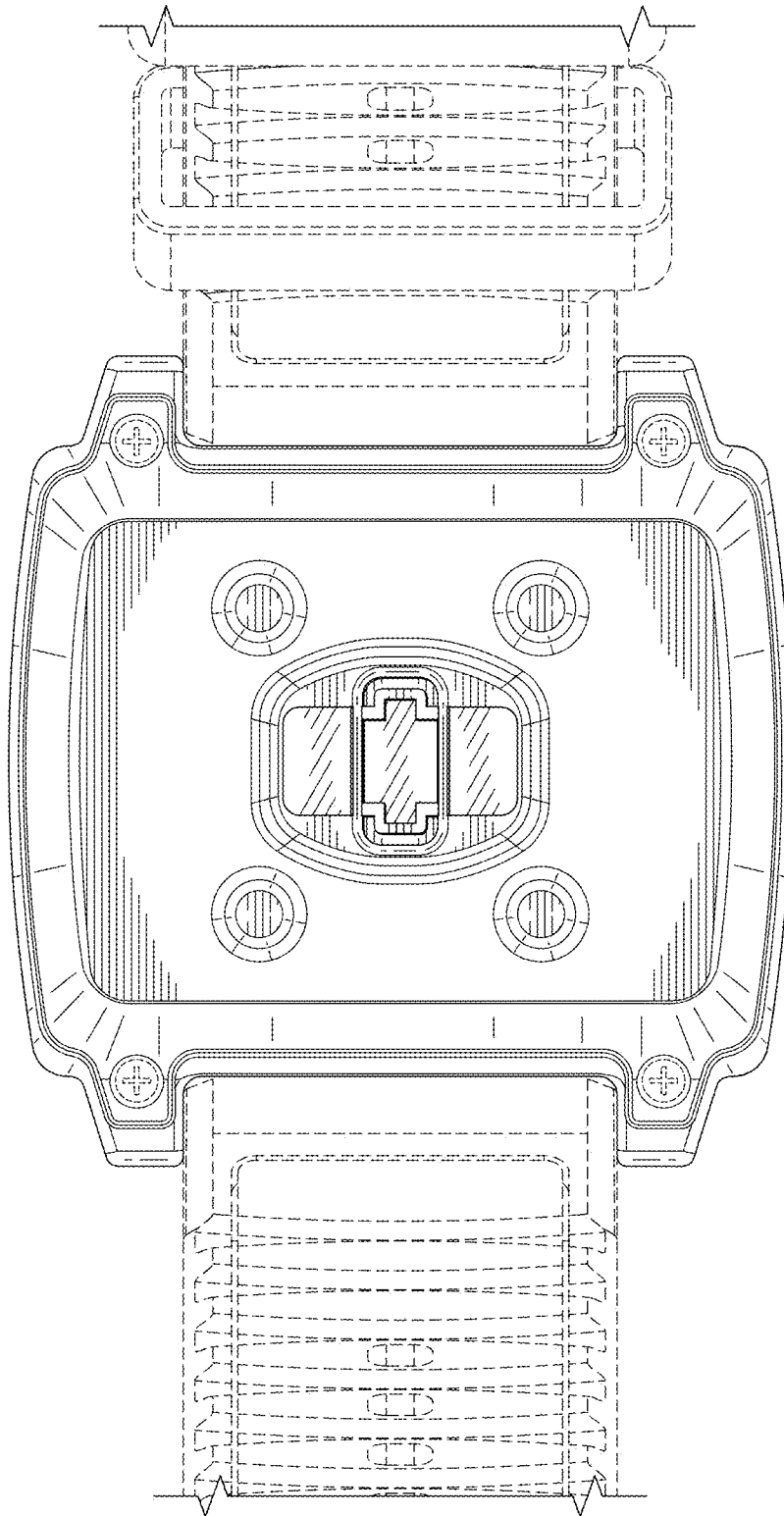


FIG. 9

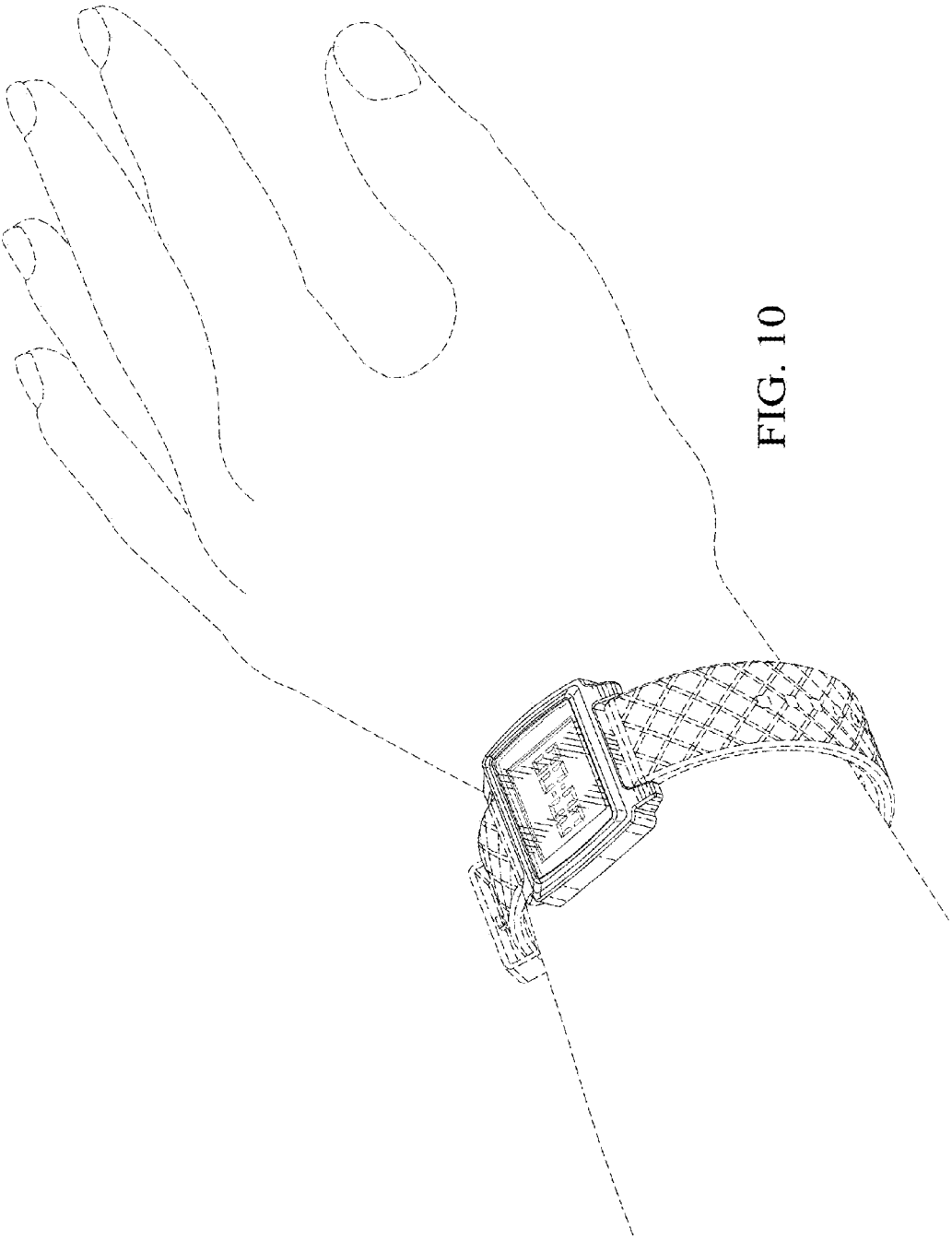


FIG. 10