

# United States Patent [19]

Koves

[11] Patent Number: **Des. 278,196**

[45] Date of Patent: **\*\* Apr. 2, 1985**

[54] **STORAGE RACK FOR COMPUTER EQUIPMENT**

[76] Inventor: **Thomas Koves**, 431 Burnside Ave., Apt. 2C, Los Angeles, Calif. 90036

[\*\*] Term: **14 Years**

[21] Appl. No.: **423,040**

[22] Filed: **Sep. 20, 1982**

[52] U.S. Cl. .... **D6/465**

[58] Field of Search ..... D6/181, 186, 85, 396, D6/406, 449, 462, 463, 464, 465; D7/403, 408; 211/13, 126, 181; 108/59, 91, 92, 93, 111

[56] **References Cited**

**U.S. PATENT DOCUMENTS**

D. 214,603	7/1969	Cohen	.....	D6/465
1,612,937	1/1927	Mitchell	.....	108/59
1,946,711	2/1934	Quisenberry	.....	108/59
3,858,835	1/1975	Baren	.....	211/181 X
4,191,160	3/1980	Elliott	.....	211/181 X

**FOREIGN PATENT DOCUMENTS**

1409940 7/1965 France ..... 211/126

**OTHER PUBLICATIONS**

*Fidelity Products Co.* ©1981, p. 40; Printer Stand, bottom left of page.

*Office Product Dealer*, Dec. 1981, p. 64; Paper Caddy for Printers, top left on page.

*Primary Examiner*—Carmen H. Vales

*Attorney, Agent, or Firm*—Allan M. Shapiro

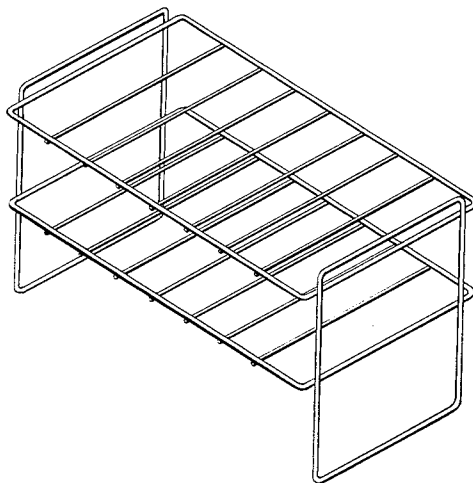
[57]

**CLAIM**

The ornamental design for a storage rack for computer equipment, substantially as shown.

**DESCRIPTION**

FIG. 1 is a perspective view of a storage rack for computer equipment, showing my new design; FIG. 2 is a front elevational view thereof; FIG. 3 is a top plan view thereof; and FIG. 4 is a side elevational view thereof.



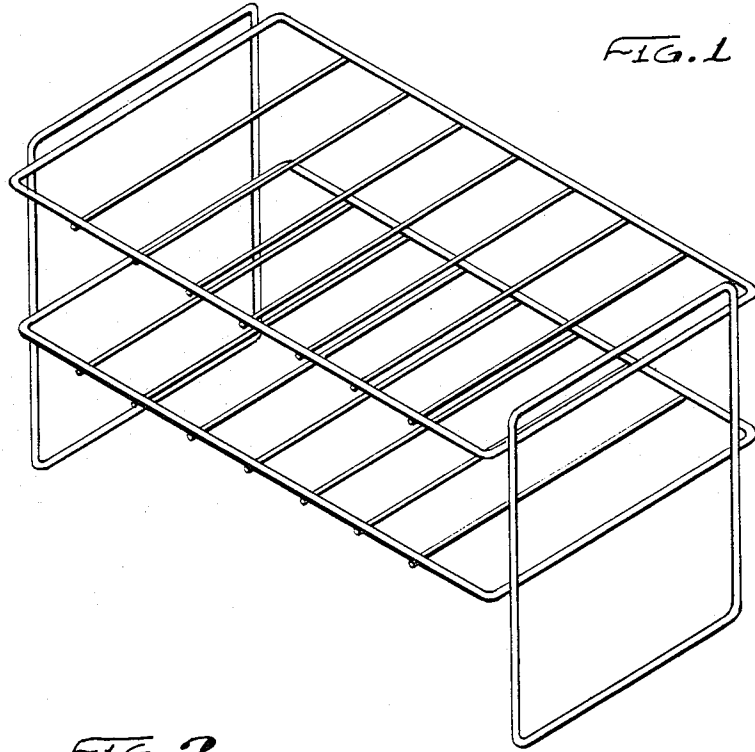


FIG. 2

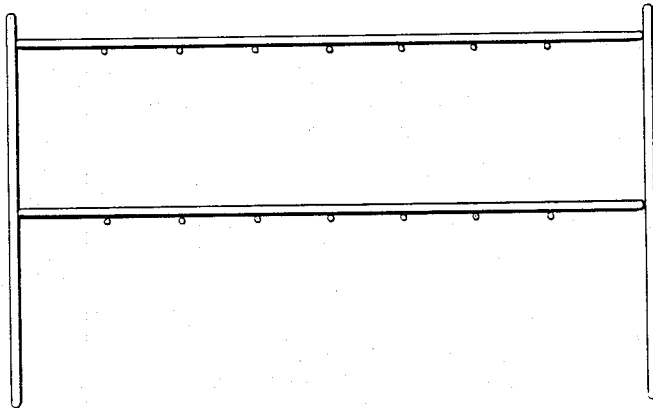


FIG. 3

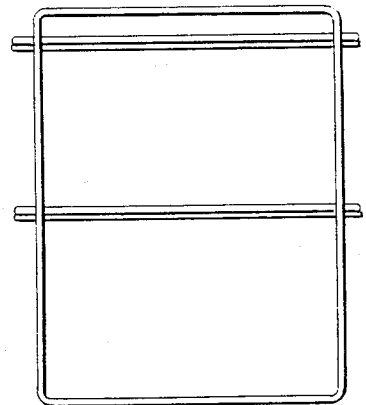
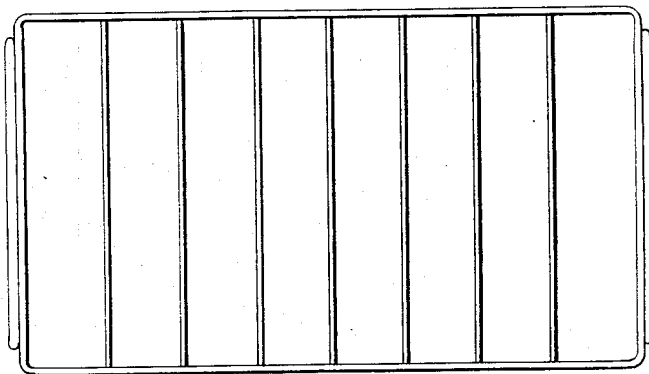


FIG. 4