



US00D671530S

(12) **United States Design Patent**
Yang

(10) **Patent No.:** **US D671,530 S**

(45) **Date of Patent:** **** Nov. 27, 2012**

(54) **EARPHONE**

(75) Inventor: **Bill Yang**, Taipei (TW)

(73) Assignee: **Cotron Corporation**, Taipei (TW)

(**) Term: **14 Years**

(21) Appl. No.: **29/408,422**

(22) Filed: **Dec. 13, 2011**

(30) **Foreign Application Priority Data**

Sep. 22, 2011 (TW) 100304988

(51) **LOC (9) Cl.** **14-01**

(52) **U.S. Cl.** **D14/223**

(58) **Field of Classification Search** D14/205,
D14/206, 223, 224; 181/129, 130, 135; 379/430,
379/431; 381/380, 381; 455/90.3, 575.1;
D24/174

See application file for complete search history.

(56) **References Cited**

U.S. PATENT DOCUMENTS

4,668,842	A	*	5/1987	Yokoyama et al.	381/380
D375,500	S	*	11/1996	Bungardt et al.	D14/223
D474,171	S	*	5/2003	Suzuki	D14/206
D554,627	S	*	11/2007	Gondo	D14/223
7,349,550	B2	*	3/2008	Oliveira et al.	381/380
D566,099	S	*	4/2008	Komiyama	D14/206
D567,217	S	*	4/2008	Kamo et al.	D14/205
D569,841	S	*	5/2008	Chung et al.	D14/205
D572,703	S	*	7/2008	Ledbetter et al.	D14/205
D573,978	S	*	7/2008	Ledbetter et al.	D14/205
D576,154	S	*	9/2008	Ledbetter et al.	D14/223
D587,681	S	*	3/2009	Yanai	D14/205
D589,493	S	*	3/2009	Densho	D14/206
D591,721	S	*	5/2009	Densho	D14/205

D594,441	S	*	6/2009	Lee et al.	D14/205
D598,894	S	*	8/2009	Masuda et al.	D14/205
D599,330	S	*	9/2009	Andre et al.	D14/223
D605,182	S	*	12/2009	Fagnot	D14/223
D607,880	S	*	1/2010	Chung et al.	D14/223
D621,389	S	*	8/2010	Nagayama et al.	D14/223
D623,630	S	*	9/2010	Ohuri et al.	D14/223
D627,764	S	*	11/2010	Tsai et al.	D14/223
D637,181	S	*	5/2011	Fuller et al.	D14/223
D637,585	S	*	5/2011	Nagayama et al.	D14/223
D639,282	S	*	6/2011	Ohuri et al.	D14/223
D639,283	S	*	6/2011	Ozawa et al.	D14/223
D641,011	S	*	7/2011	Gondo	D14/223
D643,416	S	*	8/2011	Chong et al.	D14/223
D647,889	S	*	11/2011	Huang	D14/223
D663,291	S	*	7/2012	Gondo	D14/223

* cited by examiner

Primary Examiner — Paula Greene

(74) *Attorney, Agent, or Firm* — Jianq Chyun IP Office

(57) **CLAIM**

The ornamental design for an earphone, as shown and described.

DESCRIPTION

FIG. 1 is a perspective view of an earphone showing my new design;

FIG. 2 is another perspective view thereof;

FIG. 3 is another perspective view thereof;

FIG. 4 is a front view thereof;

FIG. 5 is a rear view thereof;

FIG. 6 is a left side view thereof;

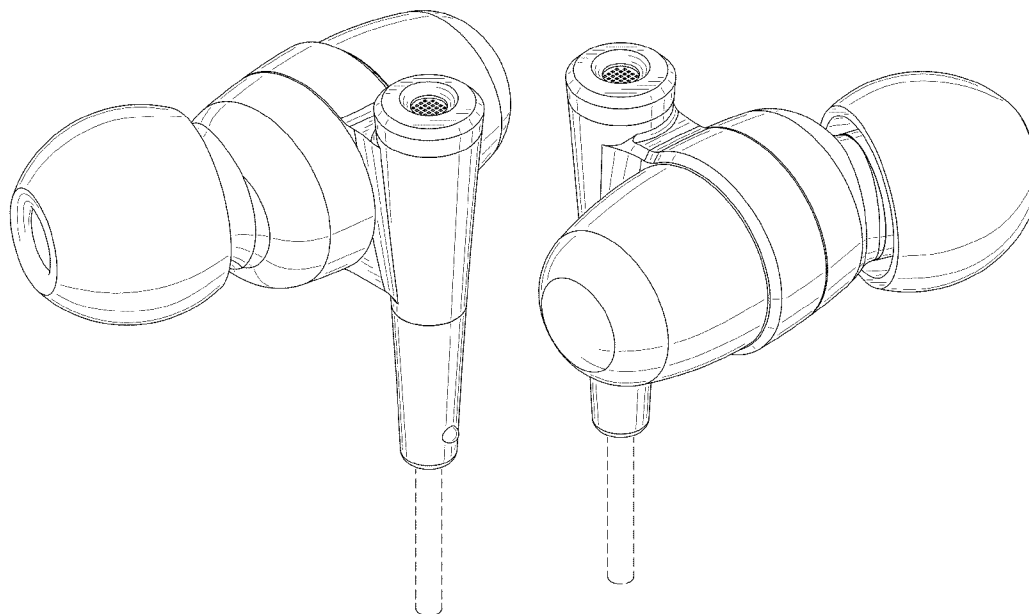
FIG. 7 is a right side view thereof;

FIG. 8 is a top view thereof; and,

FIG. 9 is a bottom thereof.

The broken lines shown in the figures are for illustrative purposes only and do not form part of the claimed design.

1 Claim, 9 Drawing Sheets



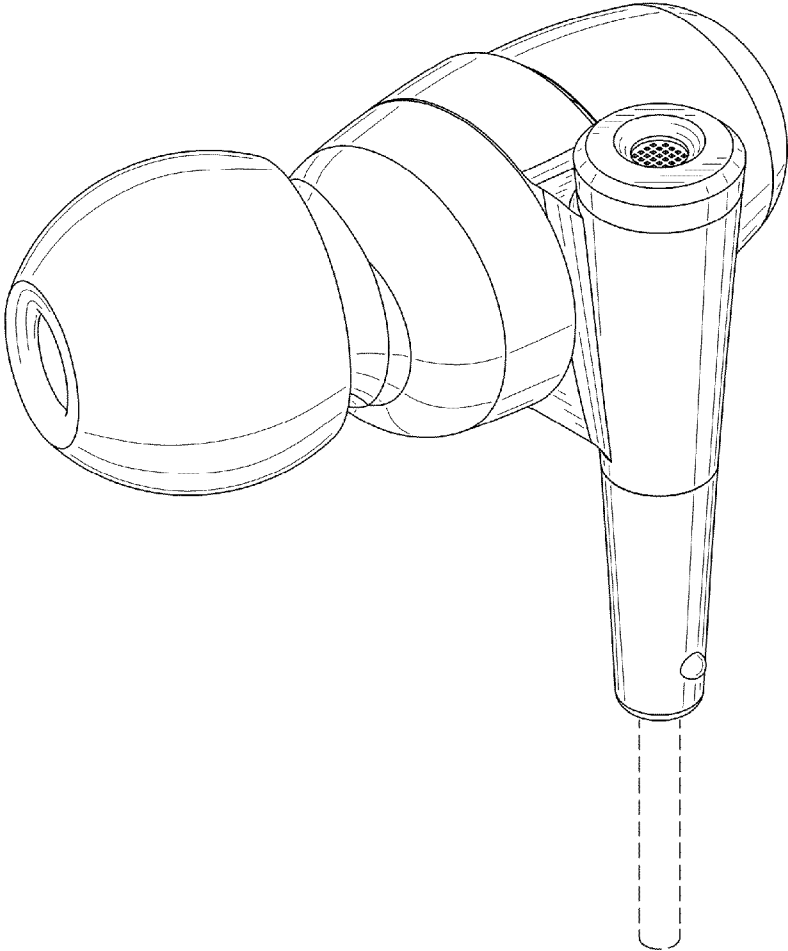


FIG. 1

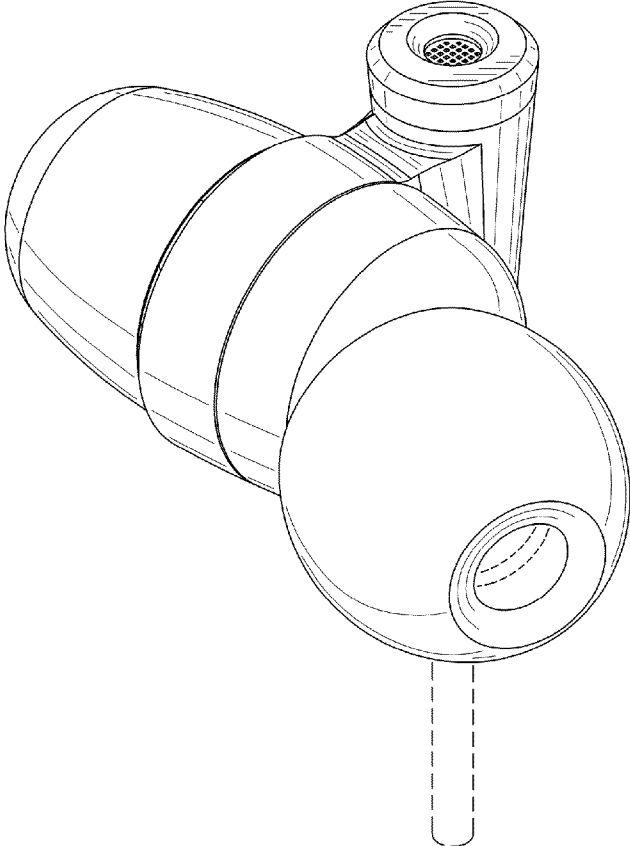


FIG. 2

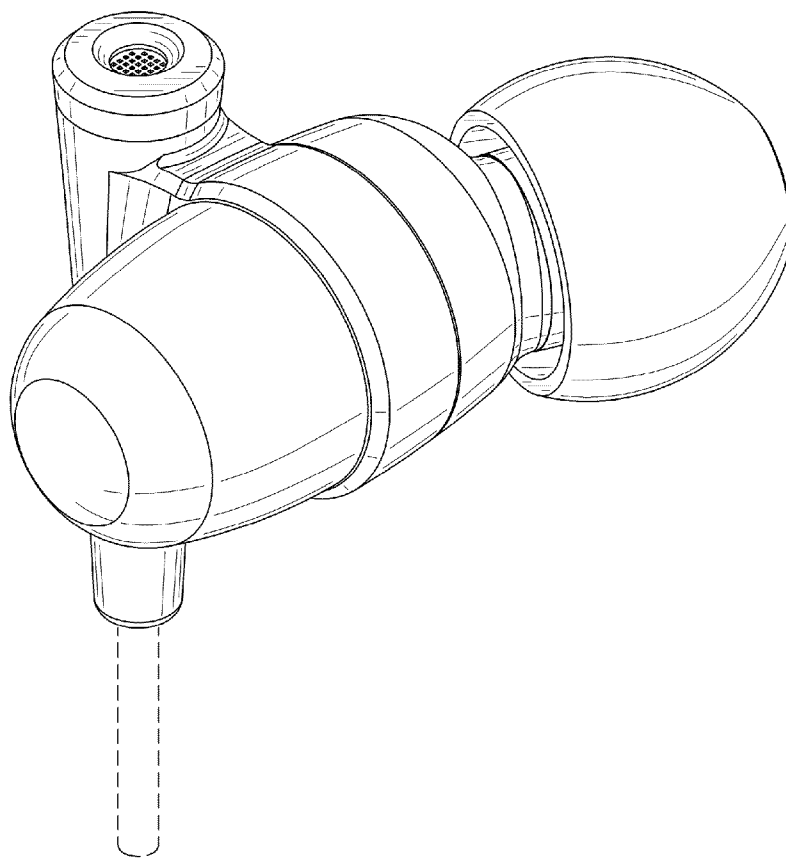


FIG. 3

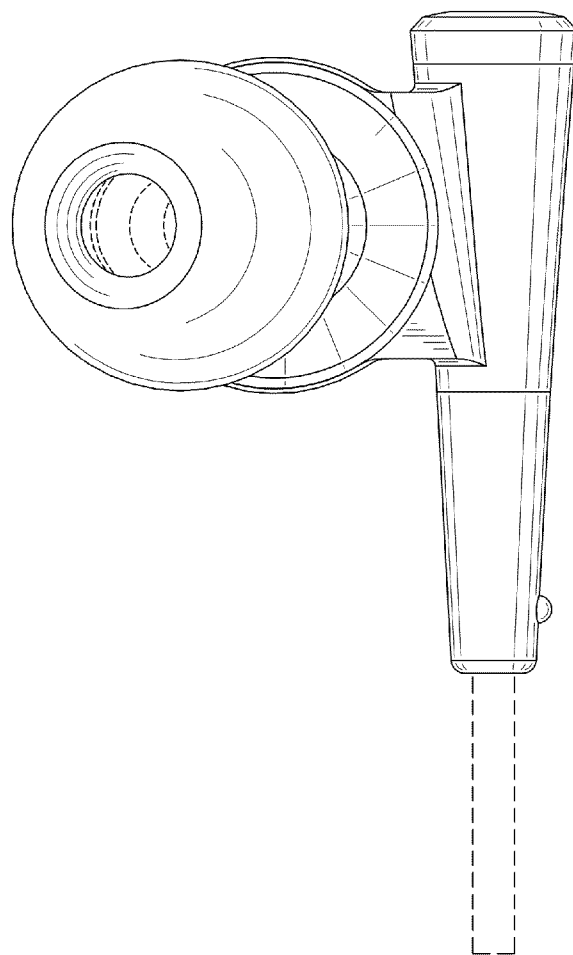


FIG. 4

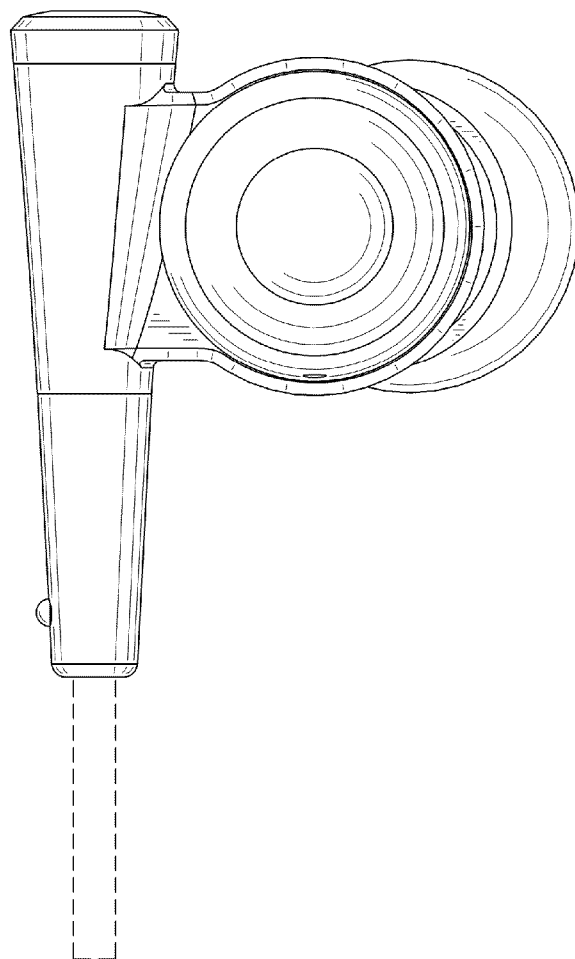


FIG. 5

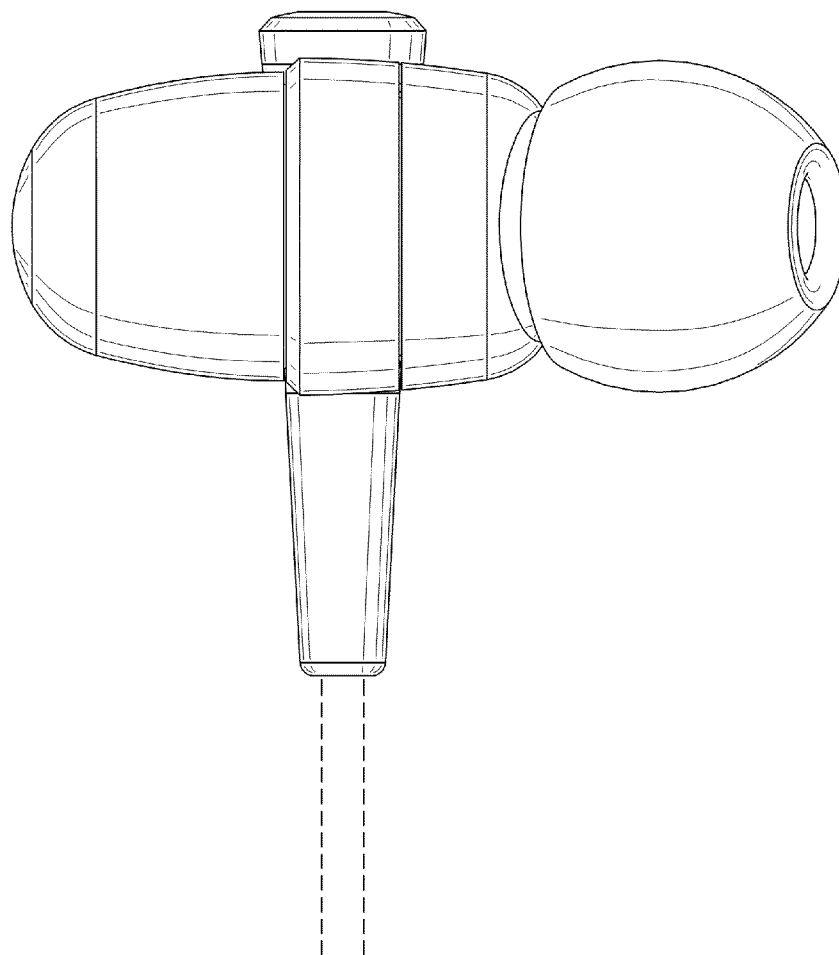


FIG. 6

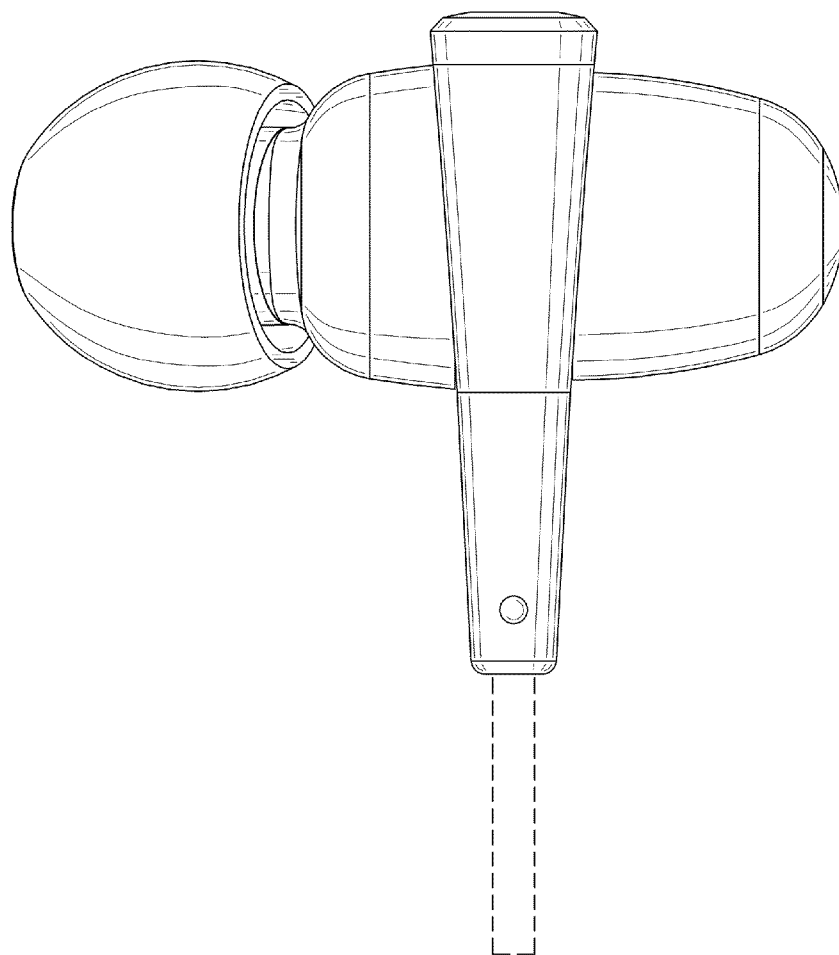


FIG. 7

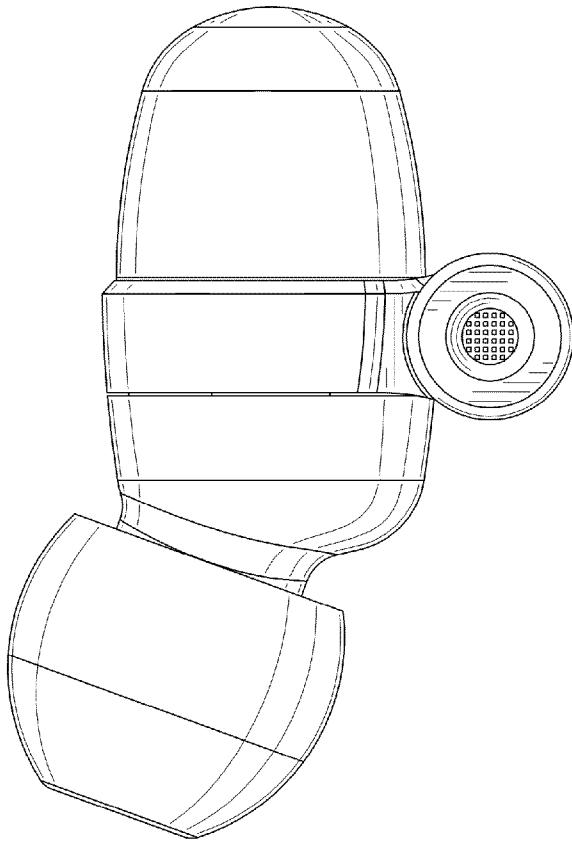


FIG. 8

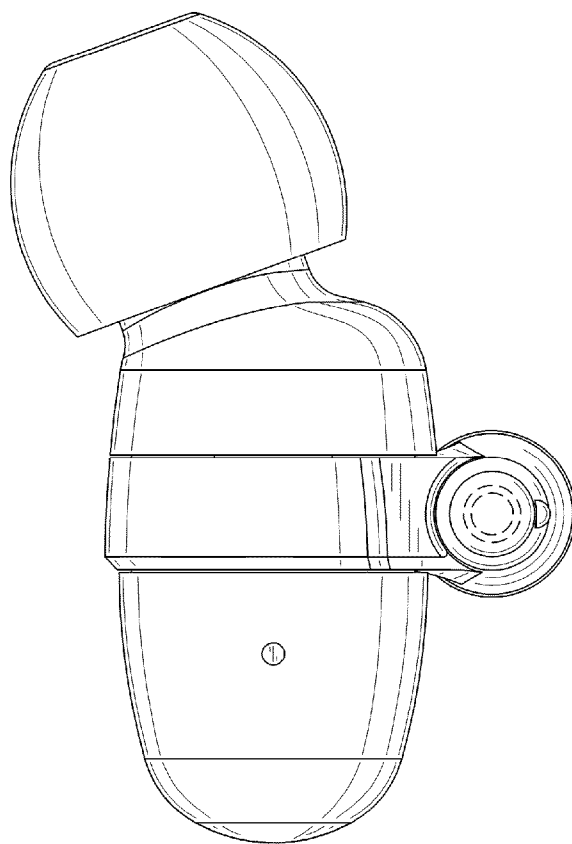


FIG. 9