



US00D899887S

(12) **United States Design Patent**
Zonta et al.

(10) **Patent No.:** **US D899,887 S**

(45) **Date of Patent:** **** Oct. 27, 2020**

- (54) **HANDLE FOR DOORS OF PROTECTION BARRIERS FOR INDUSTRIAL MACHINE**
- (71) Applicant: **Pizzato Elettrica S.r.l.**, Marostica (VI) (IT)
- (72) Inventors: **Simone Zonta**, Bassano del Grappa (IT); **Marco Pizzato**, Marostica (IT)
- (73) Assignee: **Pizzato Elettrica S.r.l.**, Marostica (IT)

D424,400 S *	5/2000	Lin	D8/302
D604,585 S *	11/2009	Veltz	D8/302
D649,003 S *	11/2011	Stuckey	D8/302
D744,544 S *	12/2015	Wuisan	D15/28
D746,014 S *	12/2015	Rekow	D34/35
D867,103 S *	11/2019	Griswold	D8/315
D867,851 S *	11/2019	Griswold	D8/315
2007/0283527 A1*	12/2007	Cheng	G06F 1/18 16/114.1

(**) Term: **15 Years**
(21) Appl. No.: **35/506,535**

* cited by examiner
Primary Examiner — Eliza Z Bennett-Hattan
(74) *Attorney, Agent, or Firm* — Mark M. Friedman

(22) Filed: **Jan. 10, 2019**

(57) **CLAIM**

(80) **Hague Agreement Data**

The ornamental design for handle for doors of protection barriers for industrial machine, as shown and described.

Int. Filing Date: **Jan. 10, 2019**
Int. Reg. No.: **DM/200444**
Int. Reg. Date: **Jan. 10, 2019**
Int. Reg. Pub. Date: **Apr. 5, 2019**

DESCRIPTION

(51) **LOC (12) Cl.** **08-06**

1.-3. Handle for doors of protection barriers for industrial machine

(52) **U.S. Cl.** **D8/302**
USPC

1.1 is a top view of a handle for doors of protection barriers for industrial machine;

(58) **Field of Classification Search**
USPC D8/319, 69, 302, 300, 307, 315; D34/35
CPC Y10T 292/57; Y10T 16/458; E05B 79/06;
E05B 85/10; Y10S 292/37
See application file for complete search history.

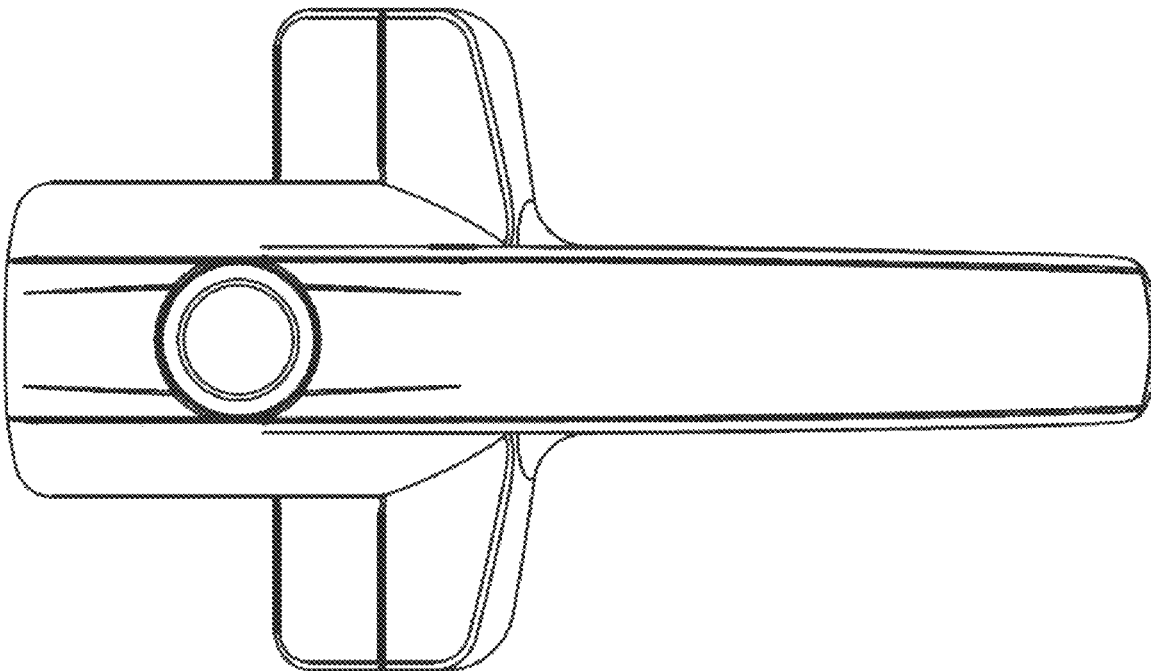
1.2 is a perspective left side view thereof;
1.3 is a right side view thereof;
2.1 is a top view of a second embodiment of a handle for doors of protection barriers for industrial machine;
2.2 is a perspective left side view thereof;
2.3 is a right side view thereof;
3.1 is a top view of a third embodiment of a handle for doors of protection barriers for industrial machine;
3.2 is a perspective left side view thereof;
3.3 is a left side view thereof.

(56) **References Cited**

1 Claim, 9 Drawing Sheets

U.S. PATENT DOCUMENTS

D306,251 S * 2/1990 Kuli D8/302
D374,534 S * 10/1996 Munde D34/35



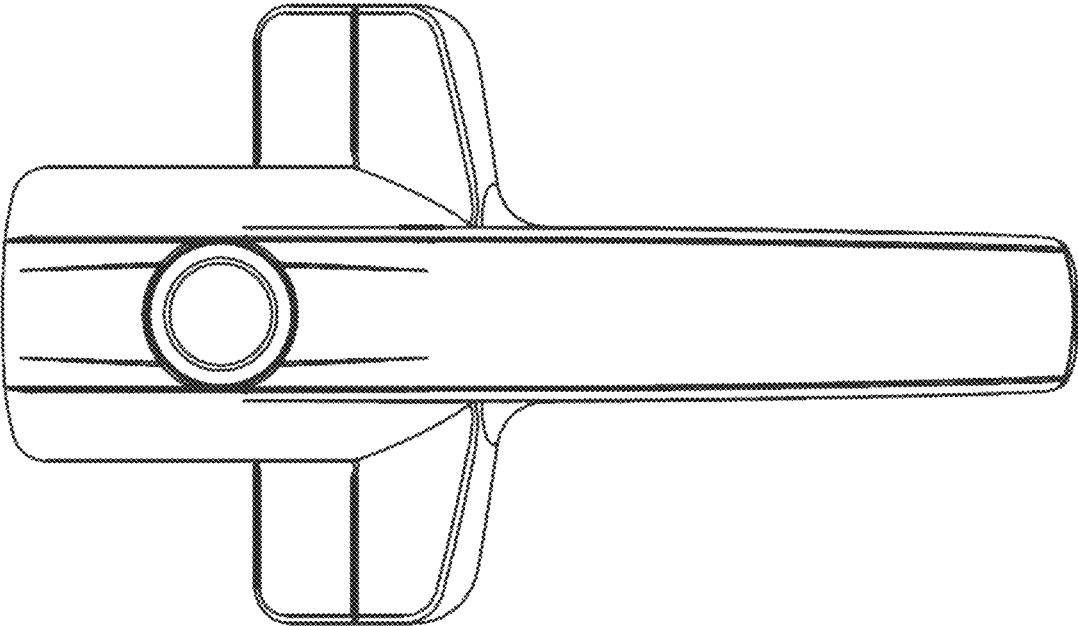


Fig. 1.1

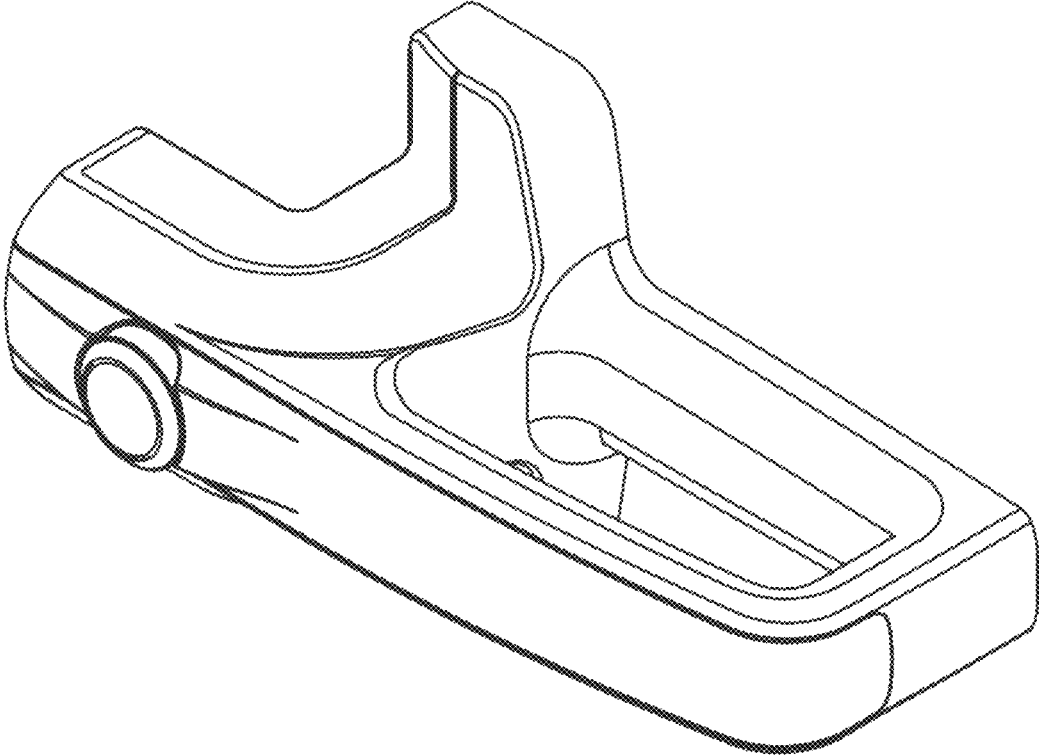


Fig. 1.2

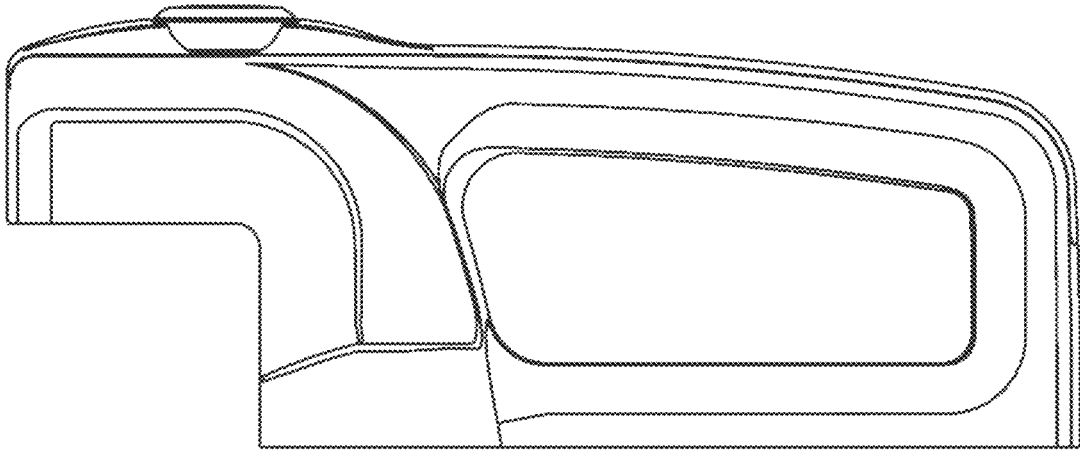


Fig. 1.3

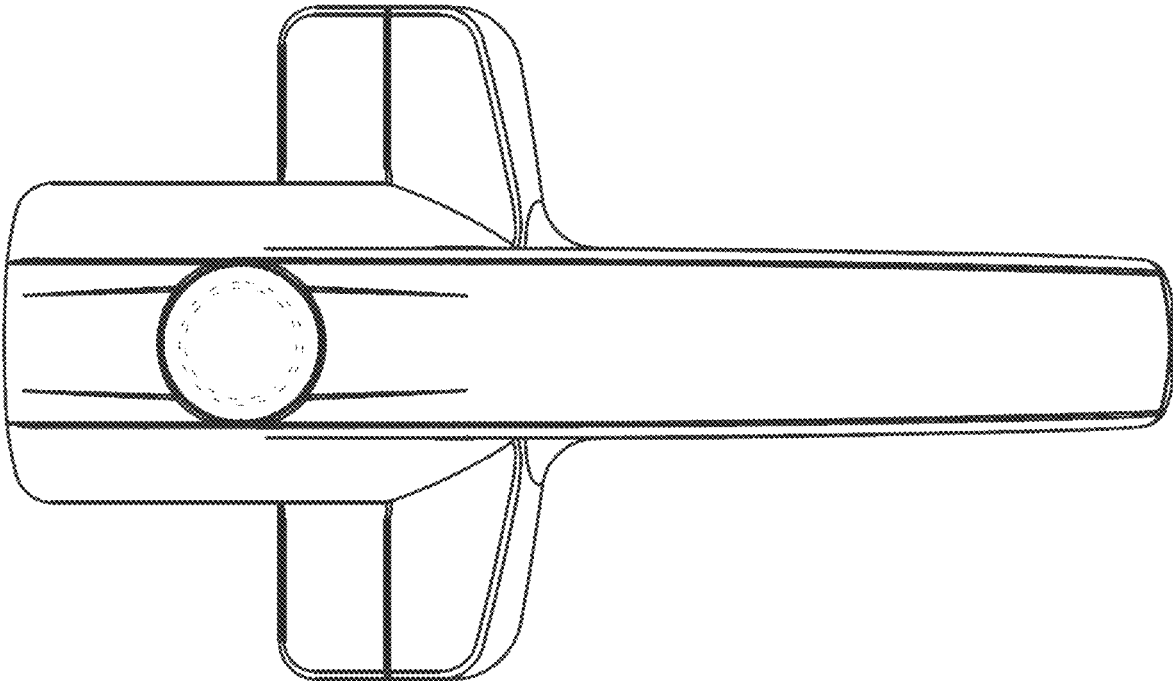


Fig. 2.1

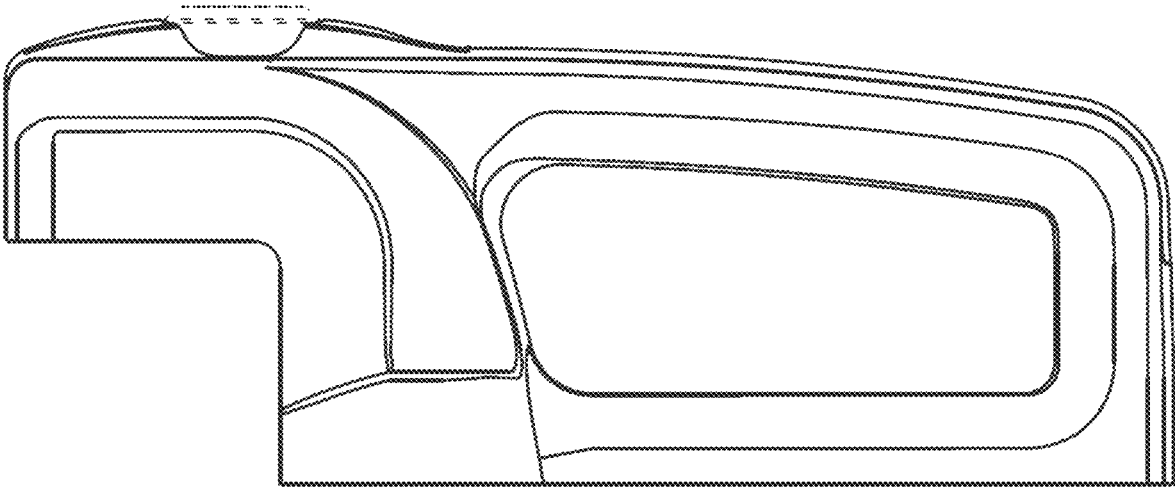


Fig. 2.2

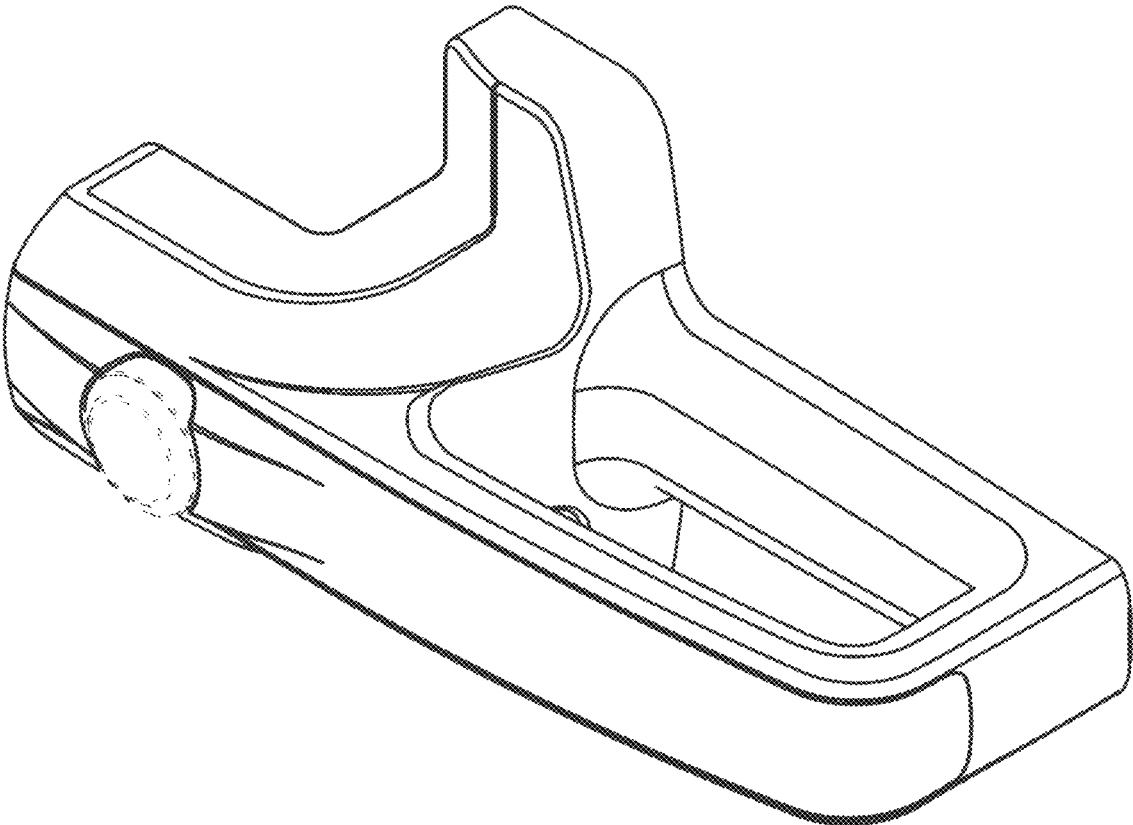


Fig. 2.3

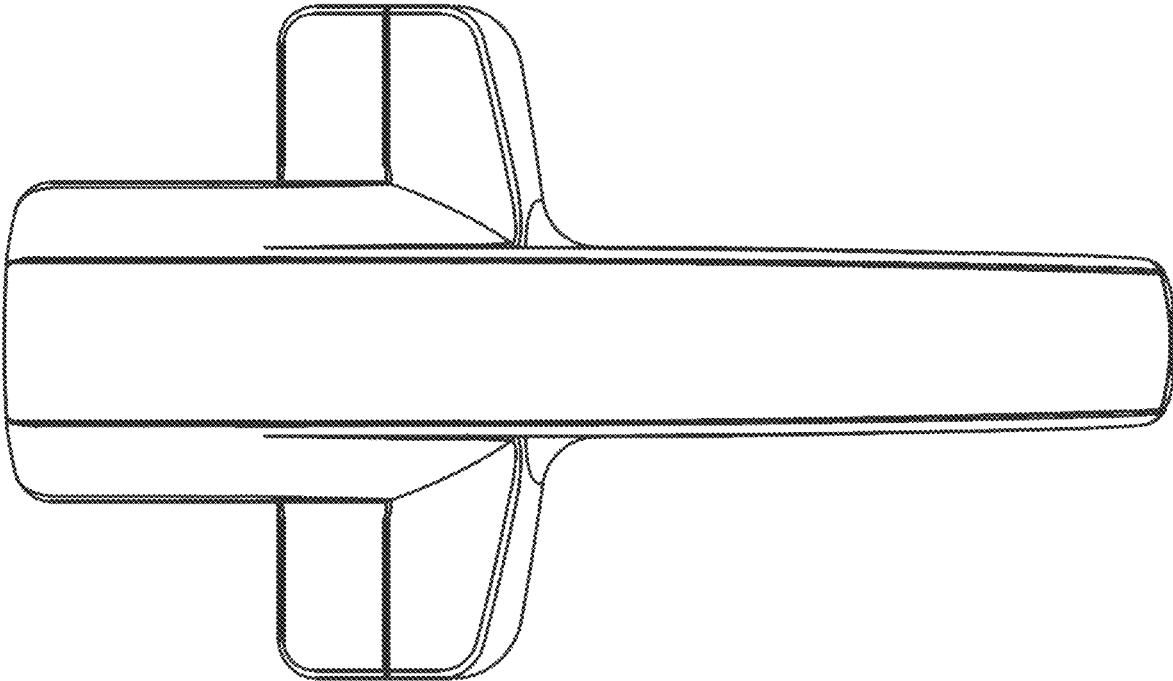


Fig. 3.1

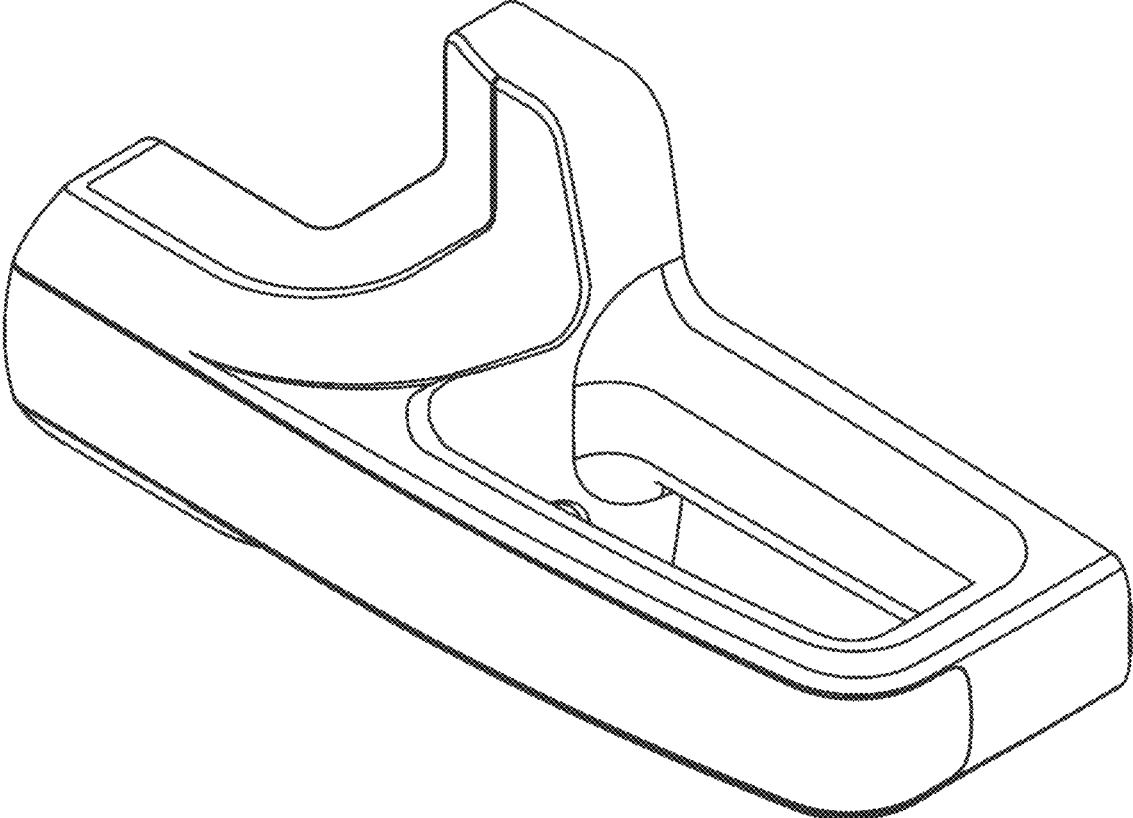


Fig. 3.2

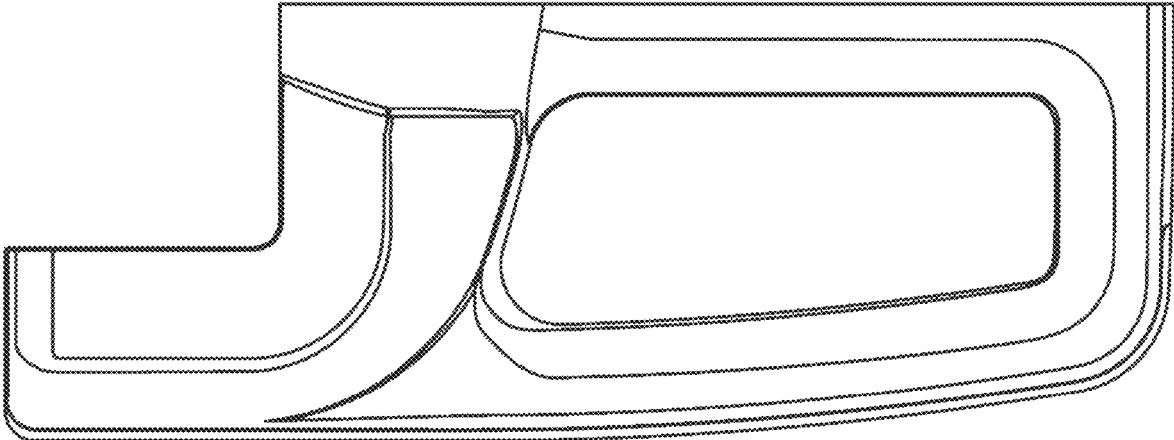


Fig. 3.3