



US00D636302S

(12) **United States Design Patent**
Kido et al.

(10) **Patent No.:** **US D636,302 S**

(45) **Date of Patent:** **** Apr. 19, 2011**

(54) **FRONT GRILLE FOR AN AUTOMOBILE**

D616,341 S * 5/2010 Fukui et al. D12/163
D616,342 S * 5/2010 Kim D12/163
D619,057 S * 7/2010 George et al. D12/163

(75) Inventors: **Kenji Kido**, Toyota (JP); **Masayuki Yamaji**, Toyota (JP)

OTHER PUBLICATIONS

(73) Assignee: **Toyota Jidosha Kabushiki Kaisha** (JP)

Belta, <http://www.goo-net.com>, Toyota.

(**) Term: **14 Years**

* cited by examiner

(21) Appl. No.: **29/351,824**

Primary Examiner — Melody N Brown

(22) Filed: **Dec. 11, 2009**

(74) *Attorney, Agent, or Firm* — SAIDMAN DesignLaw Group

(51) **LOC (9) Cl.** **12-16**

(52) **U.S. Cl.** **D12/163**

(58) **Field of Classification Search** D12/163,
D12/196, 171, 169, 216, 90-92, 86; 180/68.1,
180/68.6; 296/193.11

(57) **CLAIM**

The ornamental design for a front grille for an automobile, as shown and described.

See application file for complete search history.

DESCRIPTION

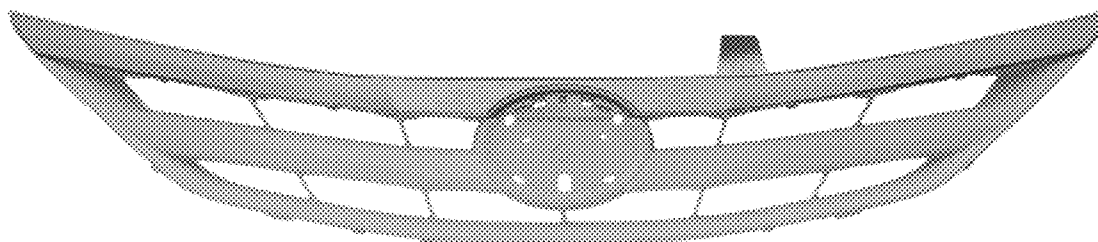
(56) **References Cited**

FIG. 1 is a front perspective view of a front grille for an automobile showing our new design;
FIG. 2 is a front view thereof;
FIG. 3 is a top view thereof;
FIG. 4 is a bottom view thereof;
FIG. 5 is a right-side view thereof; and,
FIG. 6 is a left-side view thereof.

U.S. PATENT DOCUMENTS

D575,687 S * 8/2008 Hatake D12/163
D575,689 S * 8/2008 Chang et al. D12/163
D597,452 S * 8/2009 Nakajima et al. D12/163
D614,543 S * 4/2010 Kitazumi et al. D12/163

1 Claim, 2 Drawing Sheets



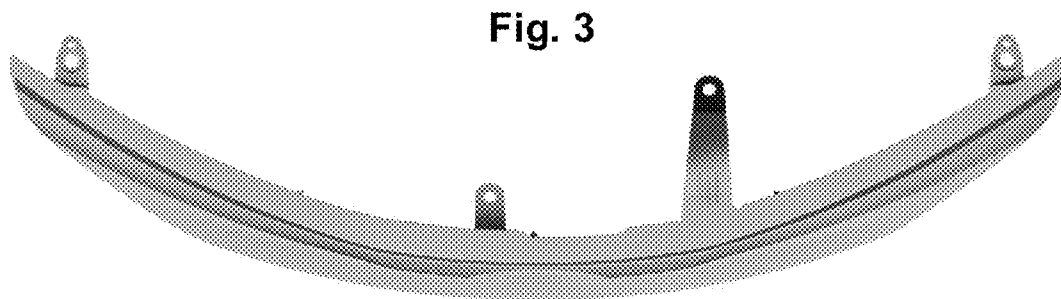
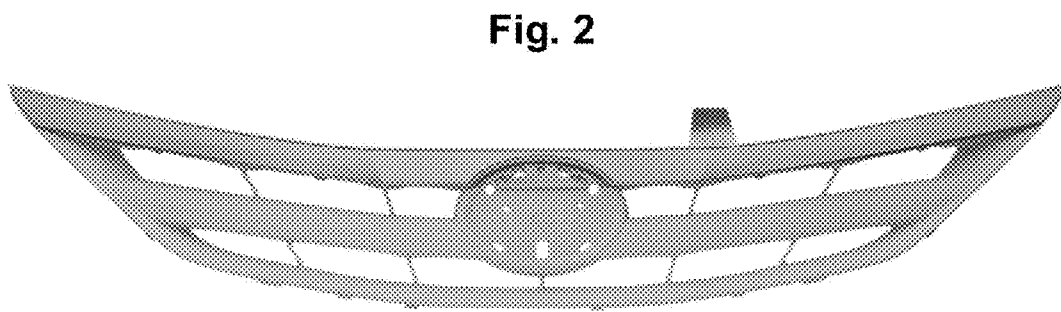
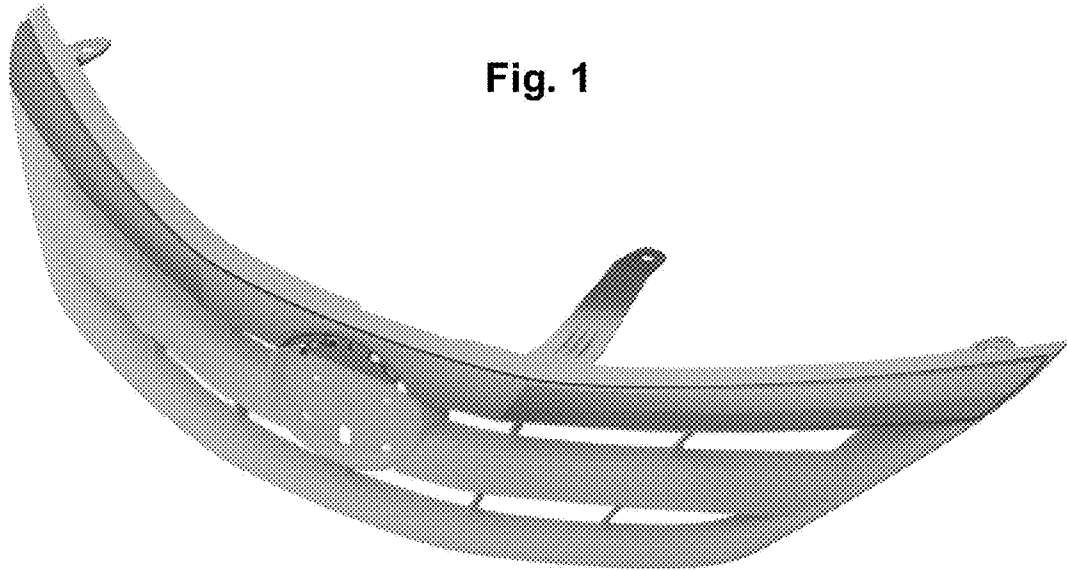


Fig. 4

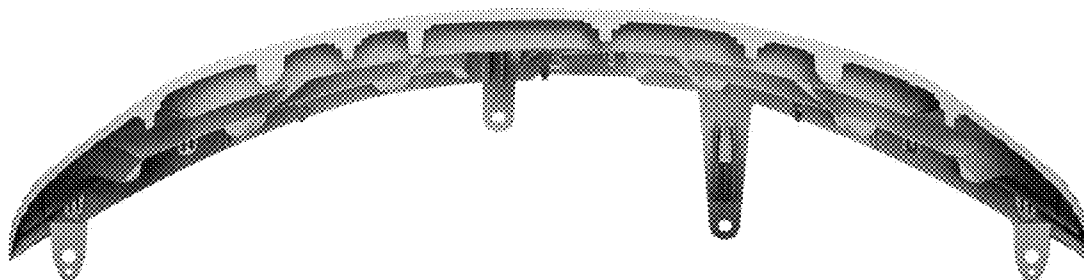


Fig. 5

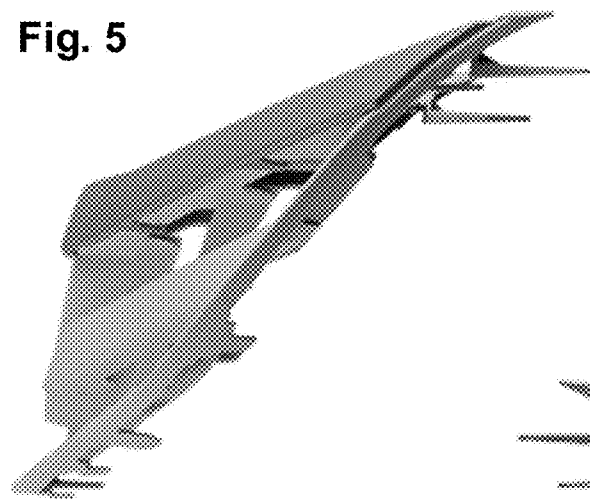


Fig. 6

