



US00D726577S

(12) **United States Design Patent**
Weems

(10) **Patent No.:** **US D726,577 S**

(45) **Date of Patent:** **** Apr. 14, 2015**

(54) **EARRING ACCESSORY**

(71) Applicant: **Origami Owl, LLC**, Chandler, AZ (US)

(72) Inventor: **Christian H. Weems**, Gilbert, AZ (US)

(73) Assignee: **Origami Owl, LLC**, Chandler, AZ (US)

(**) Term: **14 Years**

(21) Appl. No.: **29/483,814**

(22) Filed: **Mar. 3, 2014**

(51) **LOC (10) Cl.** **11-01**

(52) **U.S. Cl.**
USPC **D11/86; D11/40**

(58) **Field of Classification Search**
USPC D11/1, 2, 40-48, 79, 80, 81, 86, 87, 88,
D11/91, 92; 63/12, 13, 1.11, 1.16, 26, 27,
63/28, 29.1, 29.2, 35, 40
See application file for complete search history.

(56) **References Cited**

U.S. PATENT DOCUMENTS

| | | | | | |
|------------|---|---------|------------------|-------|--------|
| D52,755 S | * | 12/1918 | Silverman | | D11/92 |
| D390,151 S | * | 2/1998 | Blum et al. | | D11/40 |
| D538,696 S | * | 3/2007 | Azrielant et al. | | D11/28 |
| D622,173 S | * | 8/2010 | Blad et al. | | D11/76 |
| D668,986 S | * | 10/2012 | Friedman | | D11/41 |
| D687,337 S | * | 8/2013 | Kothari | | D11/91 |
| D712,778 S | * | 9/2014 | Kuiawa | | D11/40 |

OTHER PUBLICATIONS

[Online] <http://www.ross-simons.com/images/cf/787057c.jpg>. Retrieved Dec. 5, 2014.*

[Online] http://images.costco-static.com/image/media/500-455072-847_1.jpg. Retrieved Dec. 5, 2014.*

[Online] <http://www.origamiowl.com/PWPSHOWProduct.aspx?ProgramCategoryId=6&ProgramProductId=4353>. Retrieved Dec. 5, 2014.*

* cited by examiner

Primary Examiner — Garth Rademaker

Assistant Examiner — Melanie Pellegrini

(74) *Attorney, Agent, or Firm* — Fennemore Craig, P.C.

(57) **CLAIM**

The ornamental design for an earring accessory, as shown and described.

DESCRIPTION

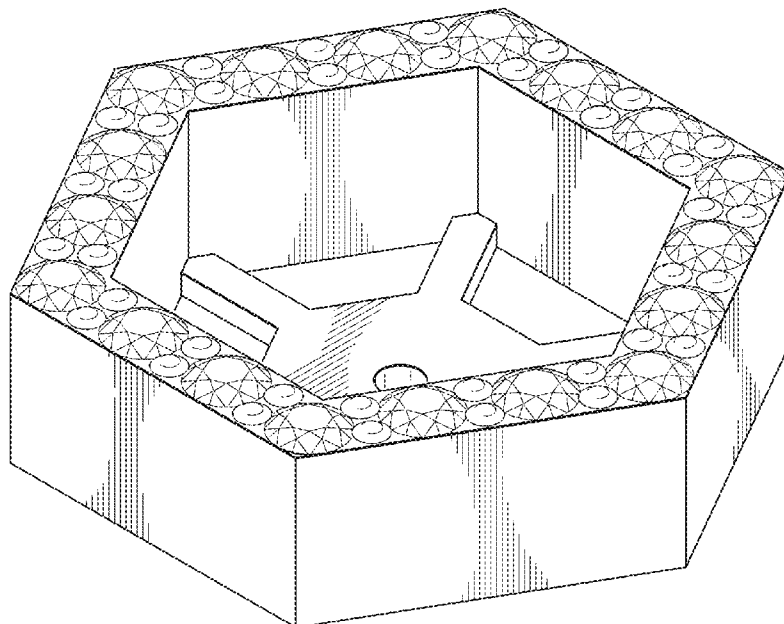
FIG. 1 is a perspective view of an earring accessory; FIG. 2 is a front view the earring accessory shown in FIG. 1; FIG. 3 is a back view the earring accessory shown in FIG. 1; FIG. 4 is a right side view of the earring accessory shown in FIG. 1;

FIG. 5 is a left side view of the earring accessory shown in FIG. 1;

FIG. 6 is a top view of the earring accessory shown in FIG. 1; and,

FIG. 7 is bottom view the earring accessory shown in FIG. 1.

1 Claim, 4 Drawing Sheets



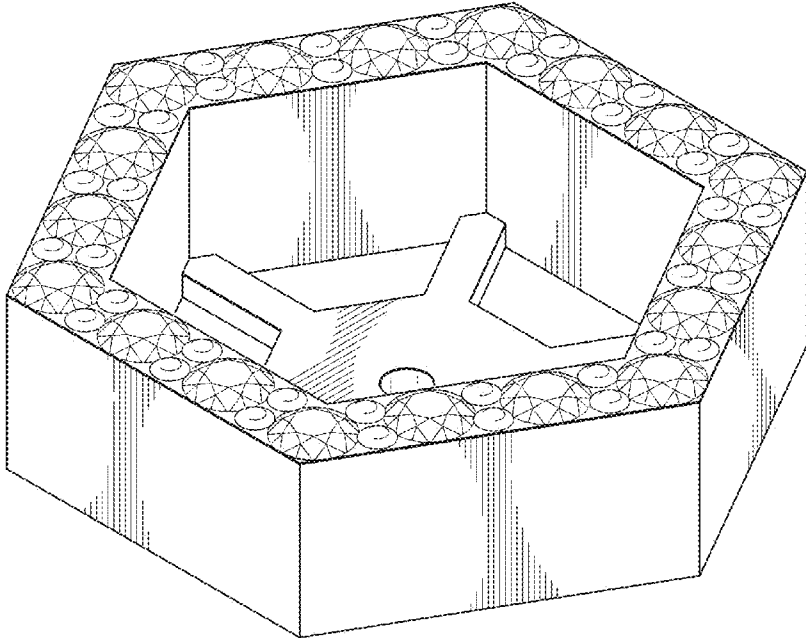


FIG. 1

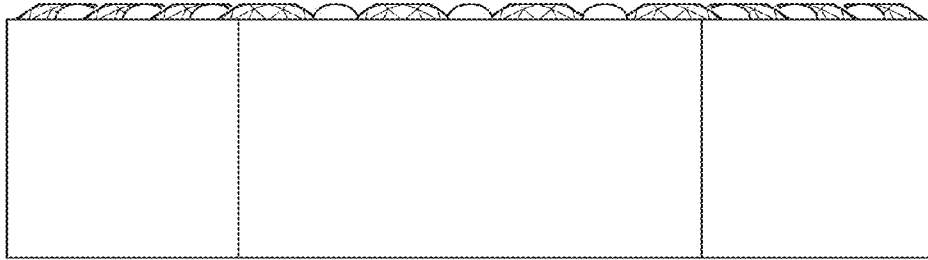


FIG. 2

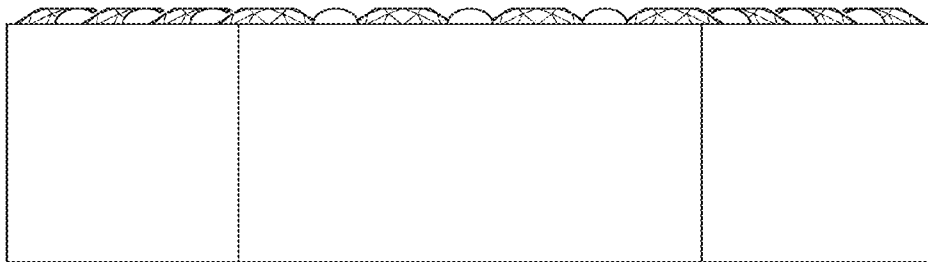


FIG. 3

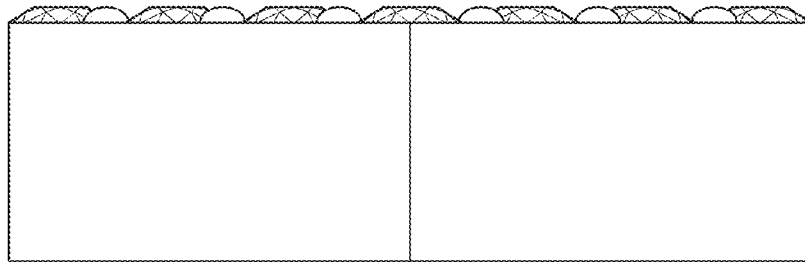


FIG. 4

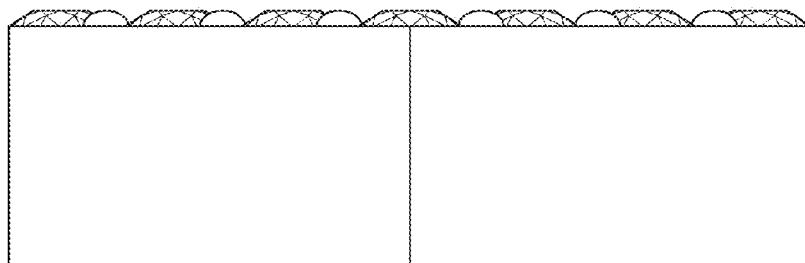


FIG. 5

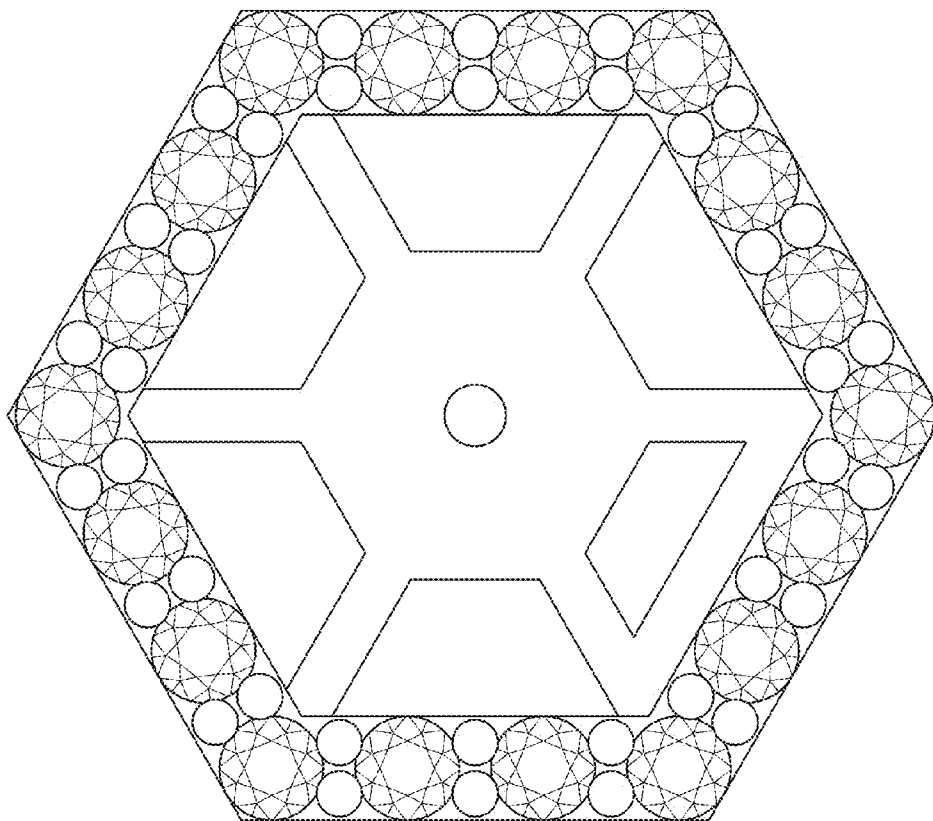


FIG. 6

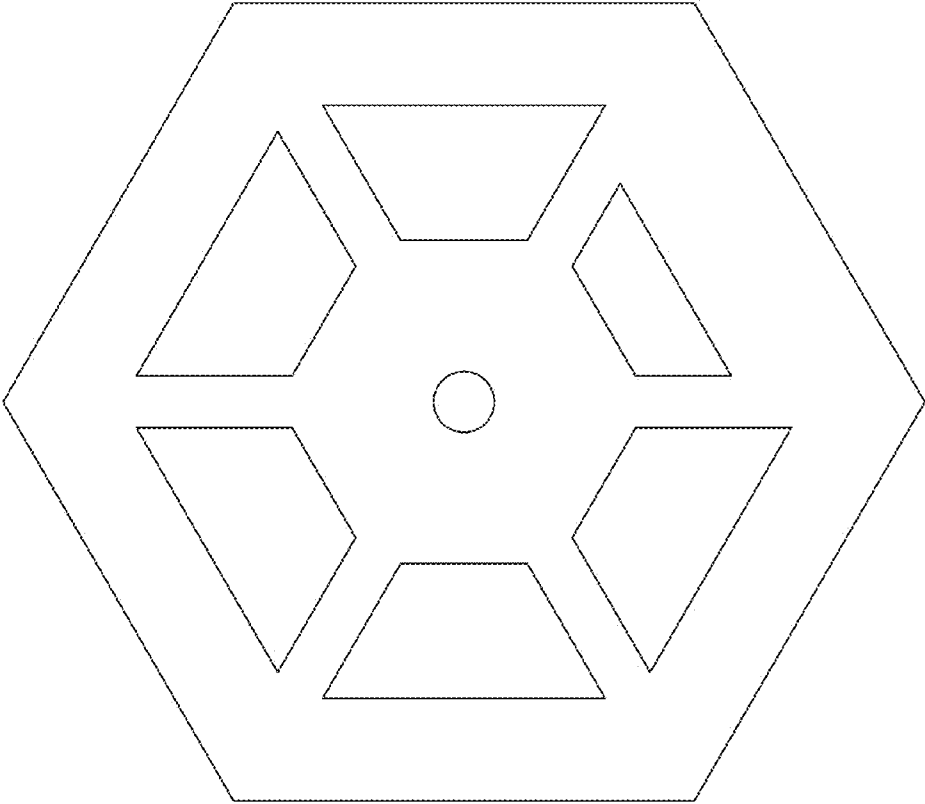


FIG. 7