



US00D446071S

(12) **United States Design Patent** (10) **Patent No.:** **US D446,071 S**
Hawkins et al. (45) **Date of Patent:** **** Aug. 7, 2001**

- (54) **SUPPORT PAD**
- (75) Inventors: **Steven Douglas Hawkins**, Midlothian;
Robert Junior Rose, Chesterfield, both
of VA (US)
- (73) Assignee: **Carpenter Co.**, Richmond, VA (US)
- (**) Term: **14 Years**
- (21) Appl. No.: **29/127,984**
- (22) Filed: **Aug. 16, 2000**
- (51) **LOC (7) Cl.** **06-09**
- (52) **U.S. Cl.** **D6/596**
- (58) **Field of Search** D6/595, 596, 601,
D6/604; 5/630, 631, 633, 636, 637, 652-654,
655.3, 655.9, 901, 731, 930, 907

- (56) **References Cited**
- U.S. PATENT DOCUMENTS**
- D. 311,108 * 10/1990 Farley D6/596
- D. 339,018 * 9/1993 Main D6/596
- D. 421,358 * 3/2000 Henson D6/596
- D. 433,861 * 11/2000 Rose et al. D6/596

* cited by examiner

Primary Examiner—Janice E. Seeger
(74) *Attorney, Agent, or Firm*—Smith Gambrell & Russell, LLP.

(57) **CLAIM**

The ornamental design for a support pad, as shown and described.

DESCRIPTION

FIG. 1 is a top perspective view of a support pad of the present invention with a widthwise break-away to illustrate an indeterminate width feature of the present invention, with standard mattress sizes being representative;

FIG. 2 shows a top planar view thereof;

FIG. 3 is a side elevational view, the opposite end being a mirror image thereof;

FIG. 4 is a bottom plan view thereof;

FIG. 5 is a left end view thereof;

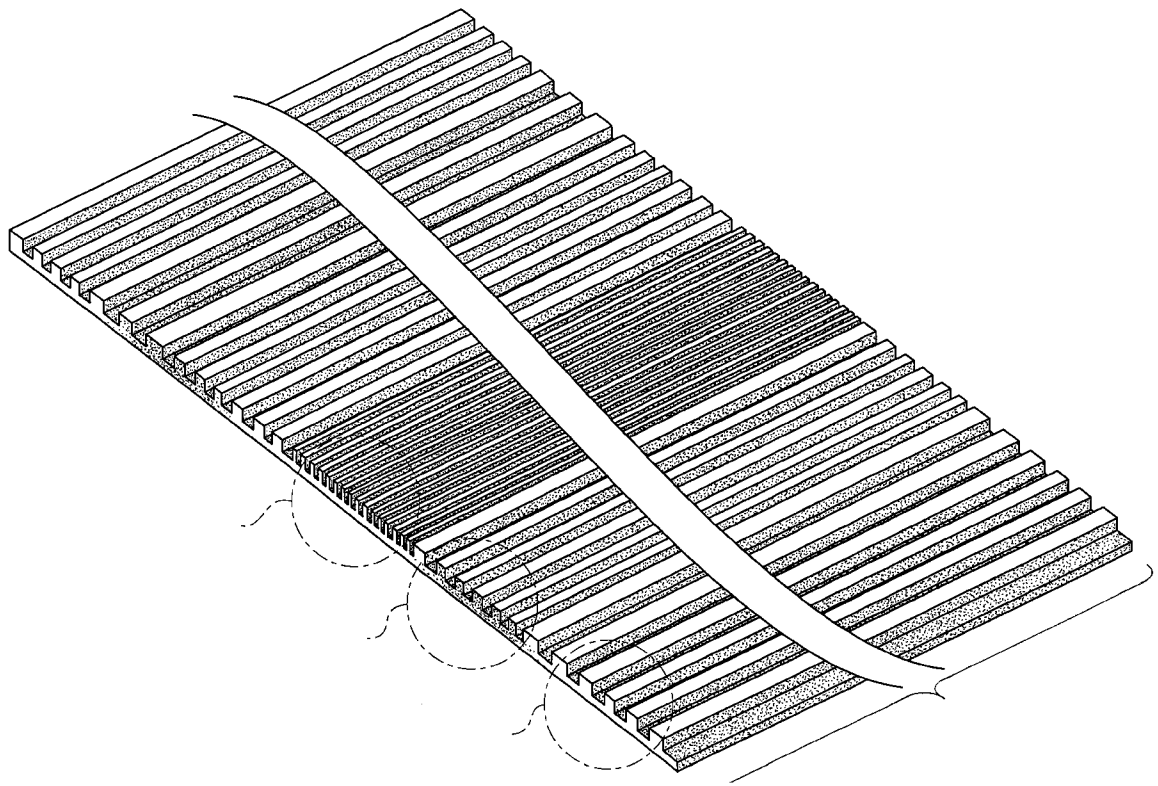
FIG. 6 is a right end view thereof;

FIG. 7 is an enlarged view of the area designated by numeral 7 in FIG. 1;

FIG. 8 is an enlarged view of the area designated by numeral 8 in FIG. 1; and,

FIG. 9 is an enlarged view of the area designated by numeral 9 in FIG. 1.

1 Claim, 4 Drawing Sheets



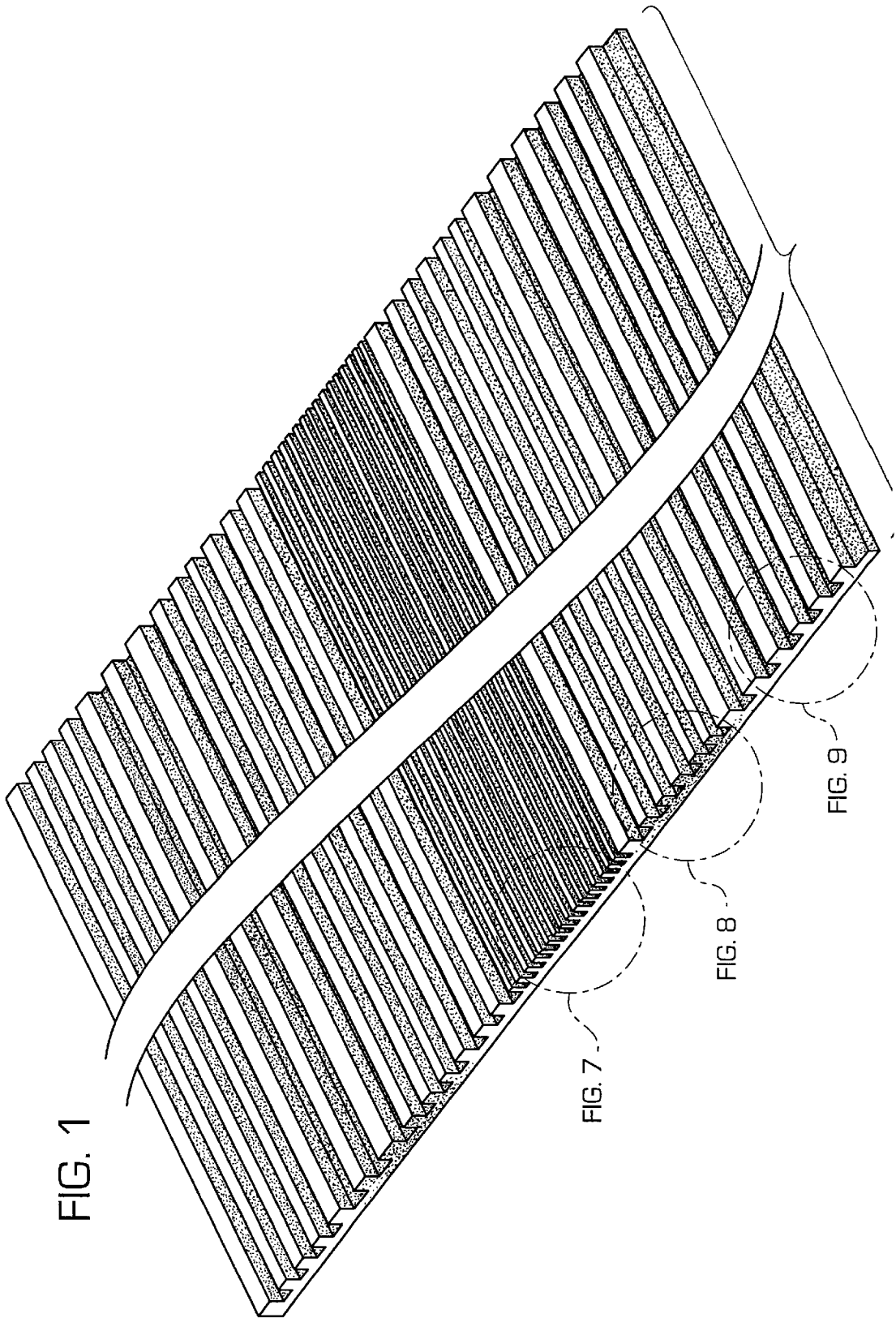
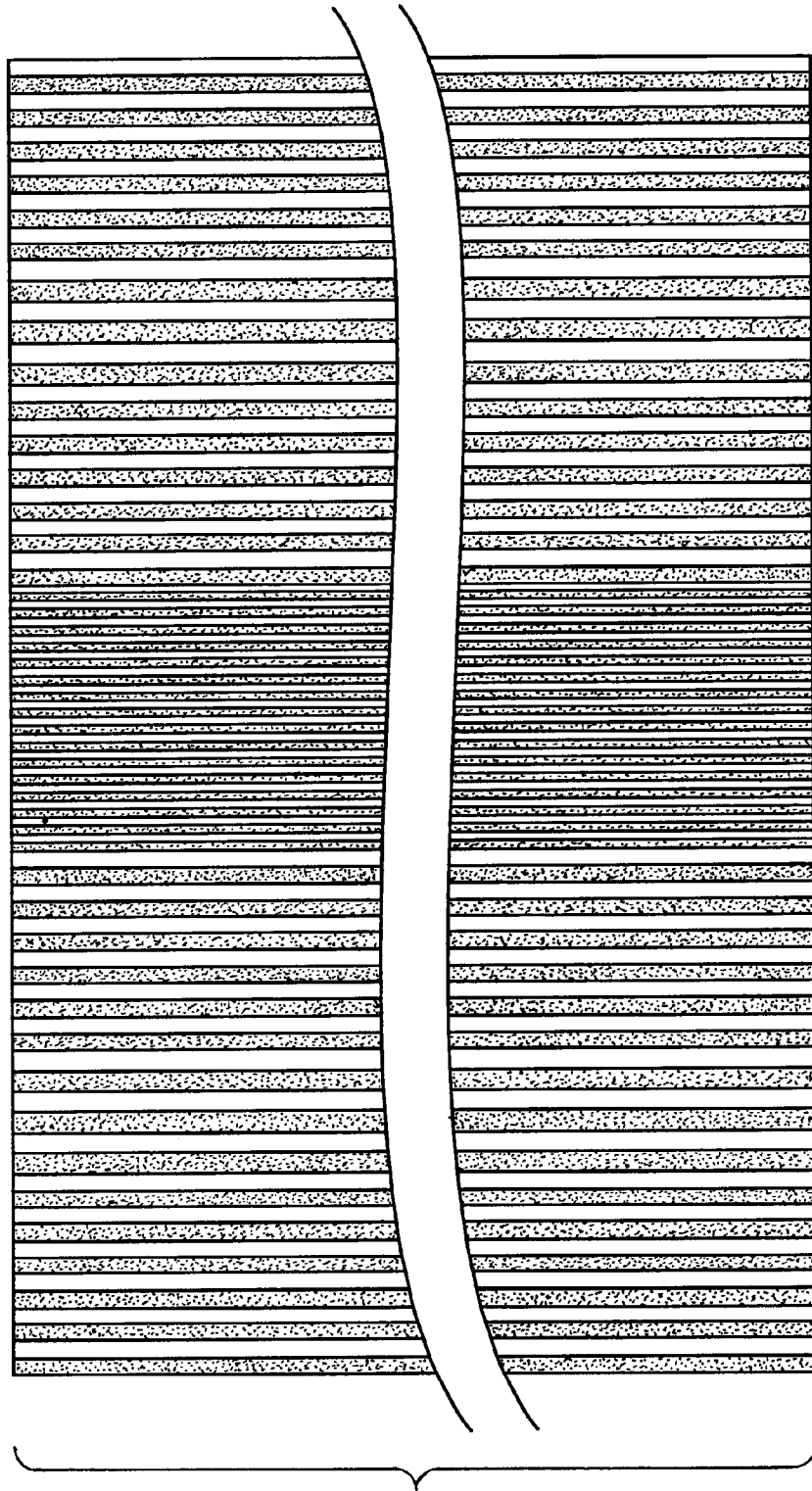


FIG. 2



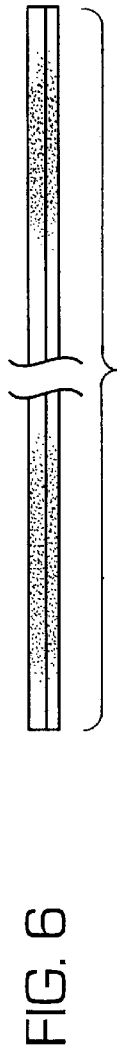
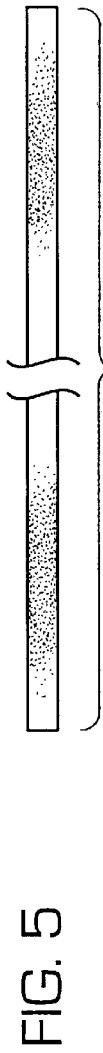


FIG. 7

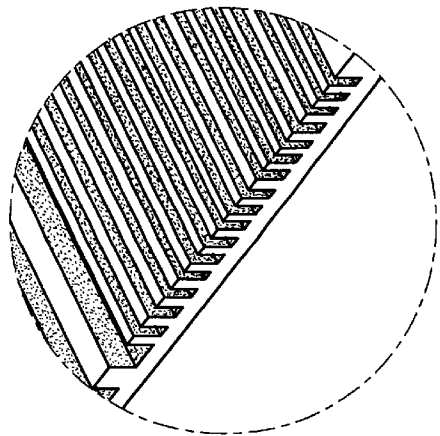


FIG. 8

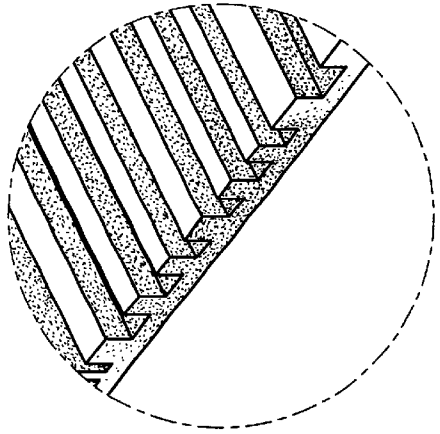


FIG. 9

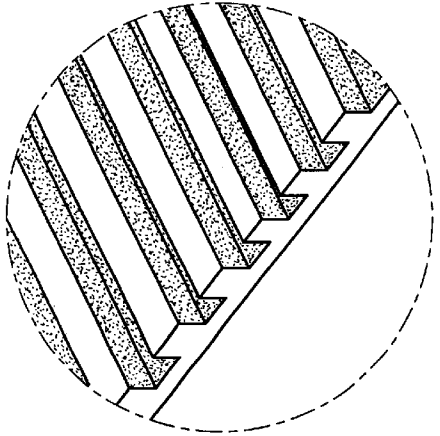


FIG. 4

