



US00D646434S

(12) **United States Design Patent**  
**Libman et al.**

(10) **Patent No.:** **US D646,434 S**

(45) **Date of Patent:** **\*\* Oct. 4, 2011**

(54) **COMB**

(75) Inventors: **Andrew Libman**, Arcola, IL (US);  
**Robert J. Libman**, Arcola, IL (US);  
**Aaron Libman**, Arcola, IL (US); **Tobia Berti**, Venice (IT)

(73) Assignee: **The Libman Company**, Arcola, IL (US)

(\*\*) Term: **14 Years**

(21) Appl. No.: **29/386,540**

(22) Filed: **Mar. 2, 2011**

(51) **LOC (9) Cl.** ..... **28-03**

(52) **U.S. Cl.** ..... **D28/33**

(58) **Field of Classification Search** ..... D28/7,  
D28/20-34; 132/53, 112, 126, 150, 208,  
132/219.216; D32/49; 15/142, 143.1; D30/158,  
D30/159

See application file for complete search history.

(56) **References Cited**

U.S. PATENT DOCUMENTS

1,425,923 A	8/1922	Weyrauch	
2,254,816 A *	9/1941	Bergmann	132/122
2,564,721 A	2/1947	Raya	
D159,716 S *	8/1950	Castelli	D28/25
2,564,239 A *	8/1951	Voight	132/106
3,170,182 A	2/1965	Burian	
3,358,698 A *	12/1967	Blanchard	132/252

D244,712 S *	6/1977	Houston	D30/159
D253,970 S *	1/1980	Whiteman	D28/25
D276,945 S	12/1984	Goodrich	
D327,821 S *	7/1992	Desbiens	D7/669
5,802,657 A	9/1998	Nogues et al.	
D457,983 S *	5/2002	Bejdova	D28/37

\* cited by examiner

*Primary Examiner* — Zenia Bennett

(74) *Attorney, Agent, or Firm* — Banner & Witcoff, Ltd.

(57) **CLAIM**

The ornamental design for a comb, as shown and described.

**DESCRIPTION**

FIG. 1 is a top, front, left perspective view of a comb showing our new design;

FIG. 2 is a bottom perspective view thereof;

FIG. 3 is a top view thereof;

FIG. 4 is a bottom view thereof;

FIG. 5 is a left side view thereof;

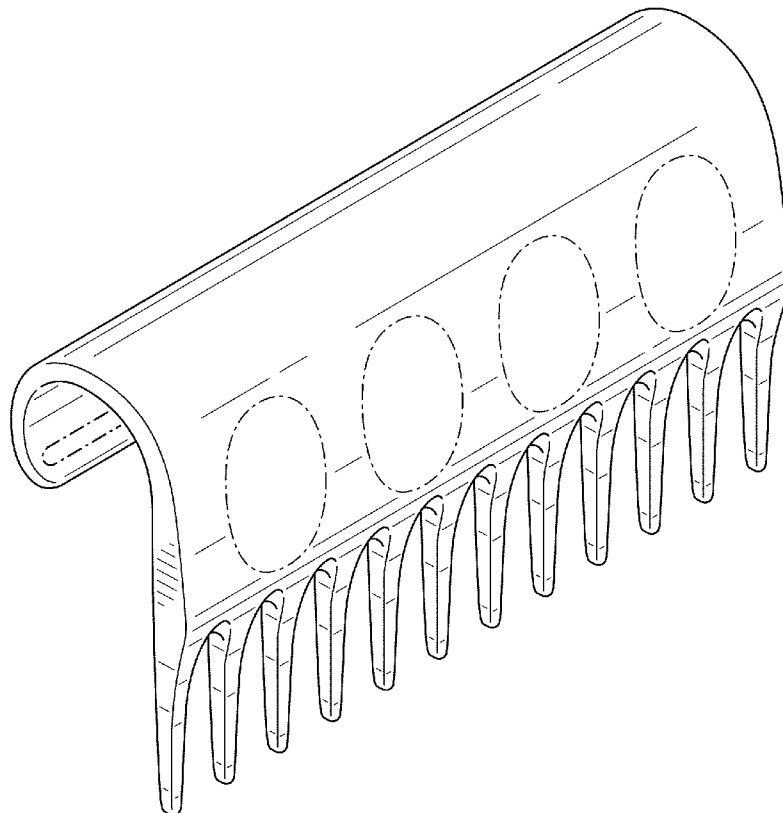
FIG. 6 is a right side view thereof;

FIG. 7 is a front view thereof; and,

FIG. 8 is a rear view thereof.

The broken lines represent unclaimed boundaries of the design.

**1 Claim, 5 Drawing Sheets**



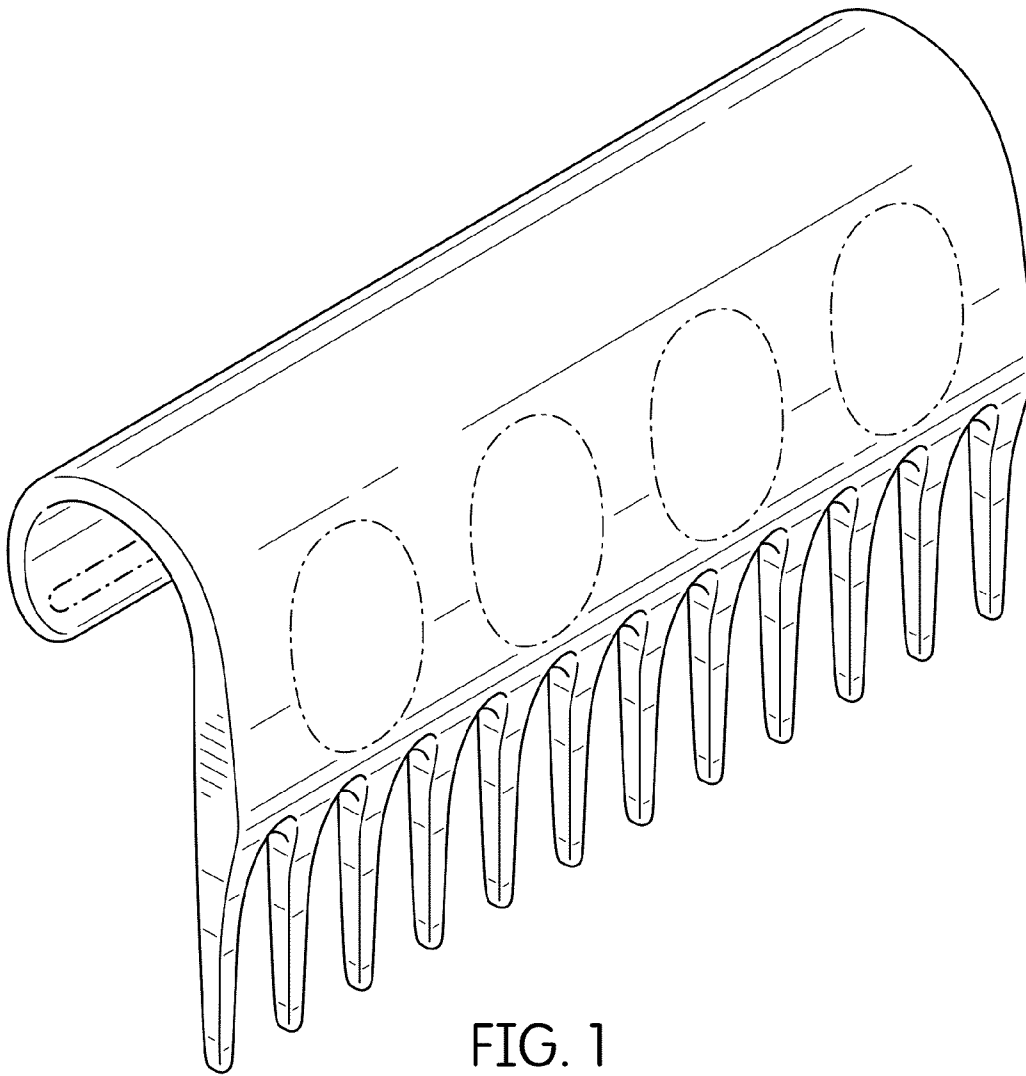


FIG. 1

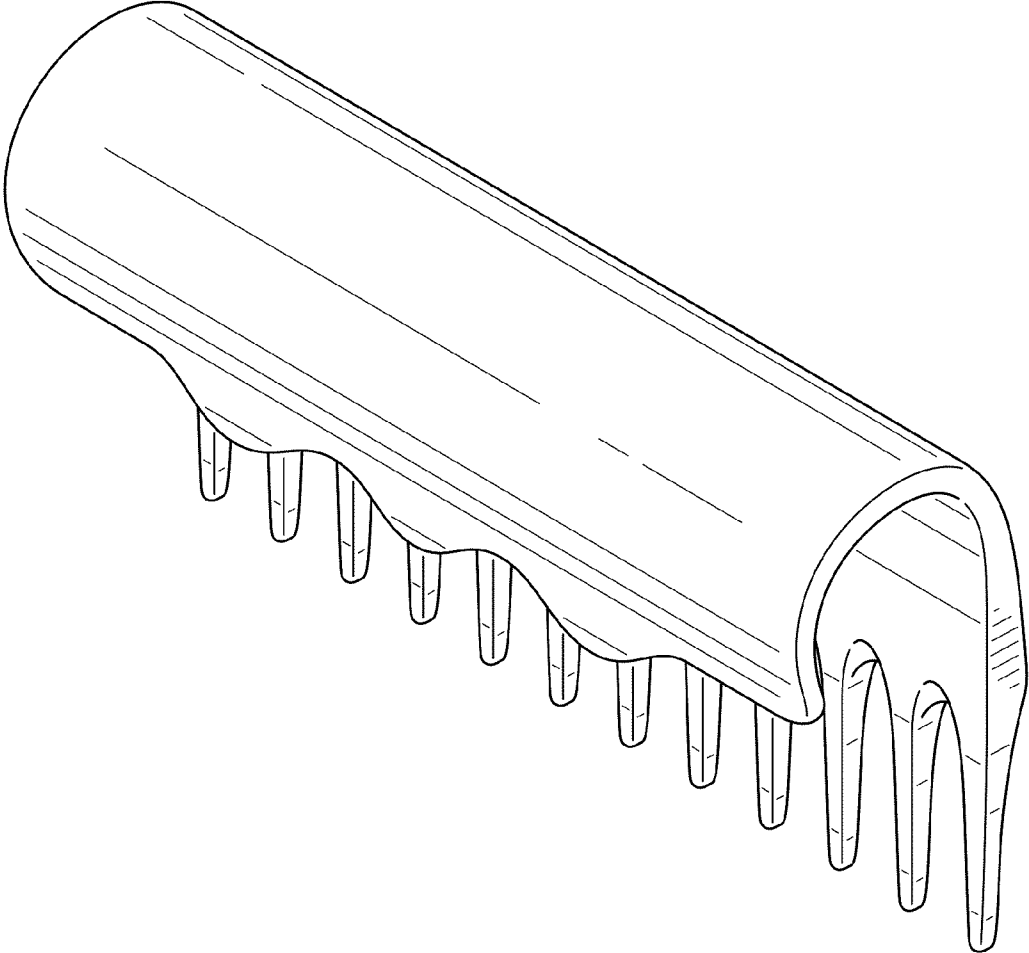


FIG. 2

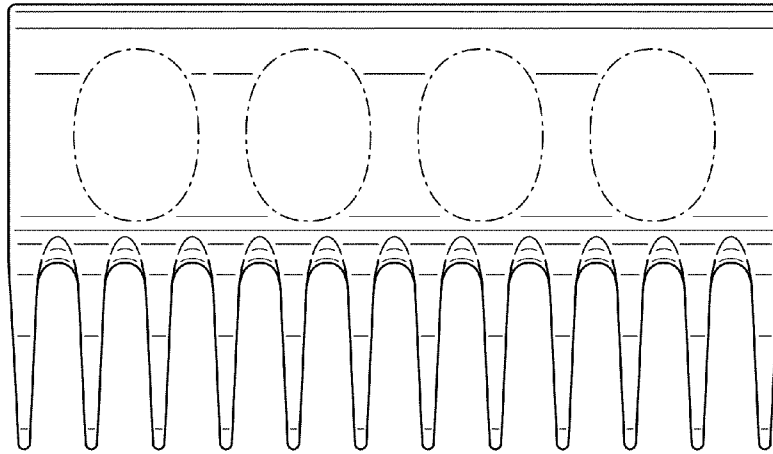


FIG. 3

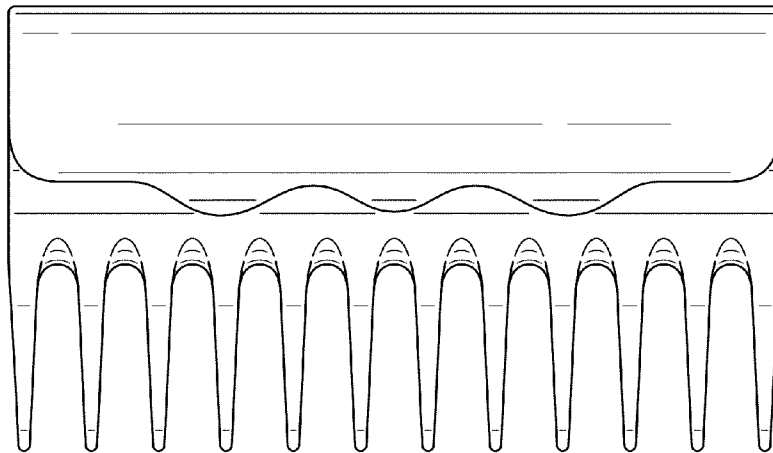


FIG. 4

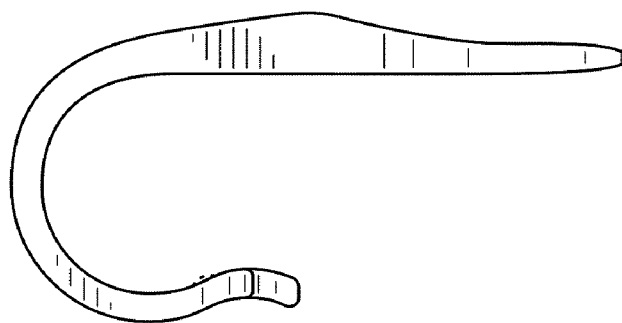


FIG. 5

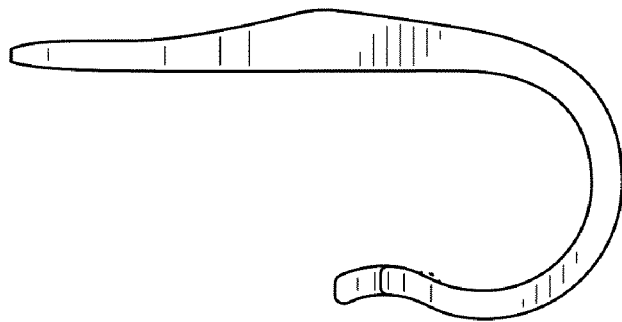


FIG. 6

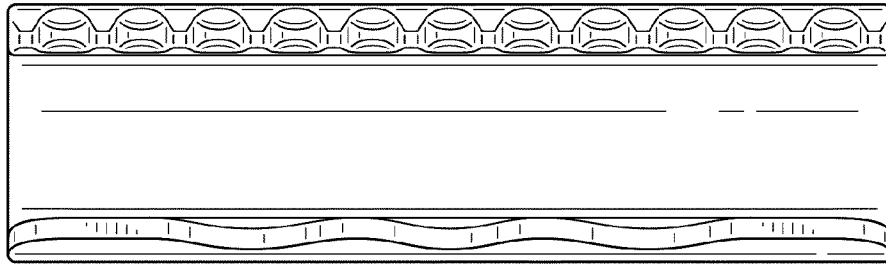


FIG. 7

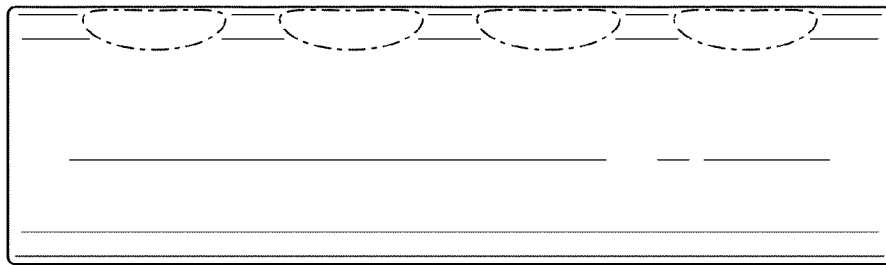


FIG. 8