



US00D934086S

(12) **United States Design Patent**
Hugo

(10) **Patent No.:** **US D934,086 S**

(45) **Date of Patent:** **** Oct. 26, 2021**

- (54) **DISPENSER TUBE**
- (71) Applicant: **Edgar Hugo**, Miami, FL (US)
- (72) Inventor: **Edgar Hugo**, Miami, FL (US)
- (**) Term: **15 Years**
- (21) Appl. No.: **29/751,589**
- (22) Filed: **Sep. 22, 2020**
- (51) **LOC (13) Cl.** **09-01**
- (52) **U.S. Cl.**
USPC **D9/727**
- (58) **Field of Classification Search**
USPC D6/542; D9/500, 502-504, 516, 520,
D9/529, 535, 549, 552, 556, 558, 723,
D9/724, 726, 727, 728, 729
CPC A45D 34/04; A45D 34/045; A45D 34/047;
A45D 2034/005; A45D 40/0087; A45D
40/02; A45D 40/12; A45D 2040/208;
A45D 40/06; A45D 40/14; A45D 40/16;
A45D 40/00; E03D 9/037; E03D
2009/024
See application file for complete search history.

D463,271 S	9/2002	Miranda	
D477,216 S *	7/2003	Gronwall	D9/727
D604,544 S *	11/2009	Daams	D6/542
D674,708 S *	1/2013	Dietvorst	D9/734
D806,475 S *	1/2018	Pisarevsky	D7/507
D835,519 S	12/2018	Blake	
D835,520 S	12/2018	Petrus	
D867,069 S *	11/2019	Wang	D7/515
D902,723 S *	11/2020	Shiota	D9/504
D906,761 S *	1/2021	Lundstrom	D7/511
D913,786 S *	3/2021	Groffsky	D9/434

* cited by examiner

Primary Examiner — Wan Laymon

Assistant Examiner — Mark Booker

(74) *Attorney, Agent, or Firm* — Christopher J. Vandam, PA; Chris Van Dam

(57) **CLAIM**

The ornamental design for a dispenser tube, as shown and described.

DESCRIPTION

FIG. 1 shows an exploded perspective view of a dispenser tube.

FIG. 2 shows an exploded perspective view of the dispenser tube.

FIG. 3 shows an exploded perspective view of the dispenser tube.

FIG. 4 shows a side elevation view of the dispenser tube; and,

FIG. 5 shows a top plan view of the dispenser tube.

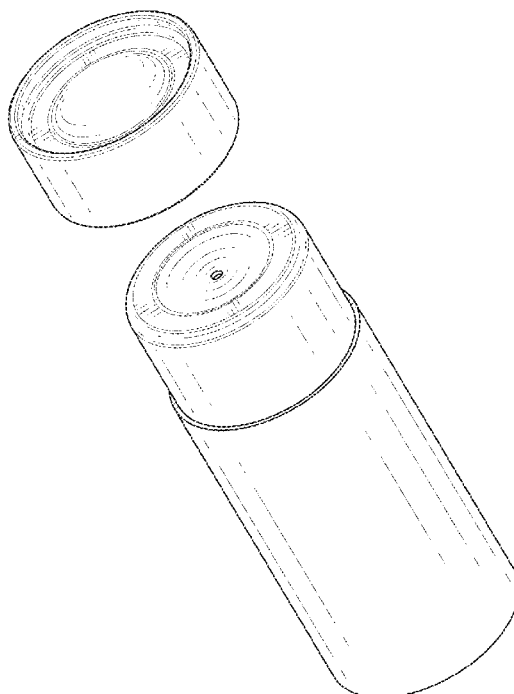
The characteristic feature of the design resides in the overall appearance as shown in the drawing.

1 Claim, 5 Drawing Sheets

(56) **References Cited**

U.S. PATENT DOCUMENTS

D272,046 S	1/1984	Mattheis
D278,751 S	5/1985	Seager
D289,858 S	5/1987	Duval
D310,779 S	9/1990	Gloeckler
D322,395 S	12/1991	Sommer
D338,155 S	8/1993	Sullivan
D438,459 S	3/2001	Holthaus
D449,524 S	10/2001	Kieras



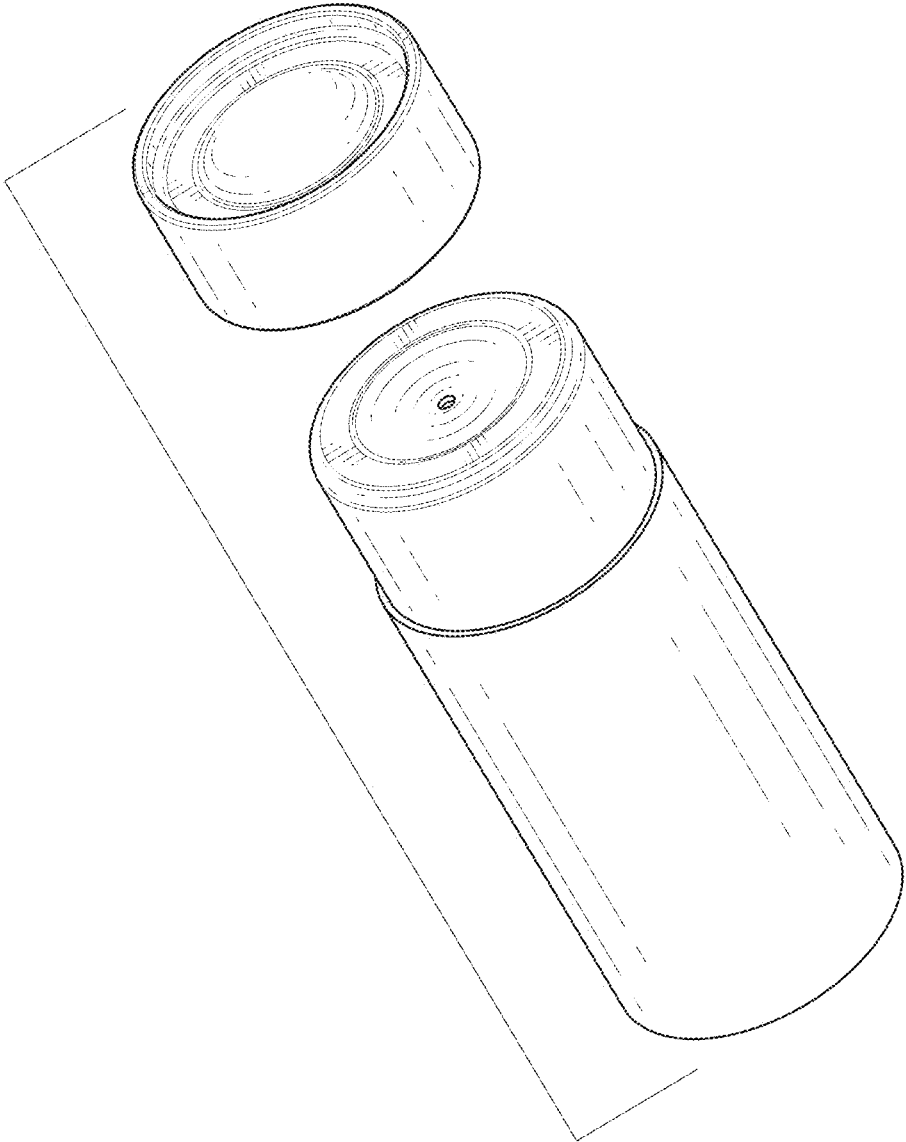


FIG. 1

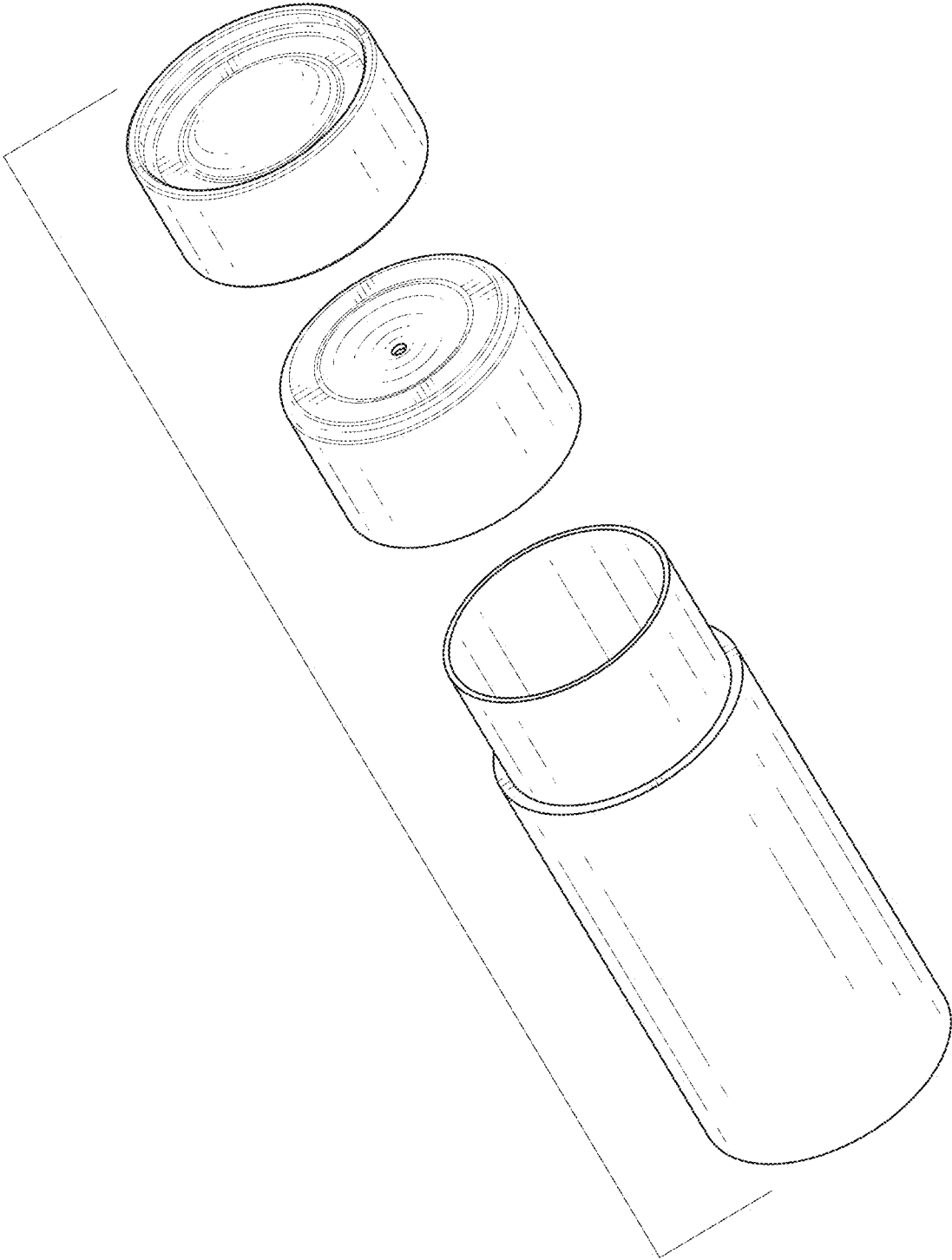


FIG. 2

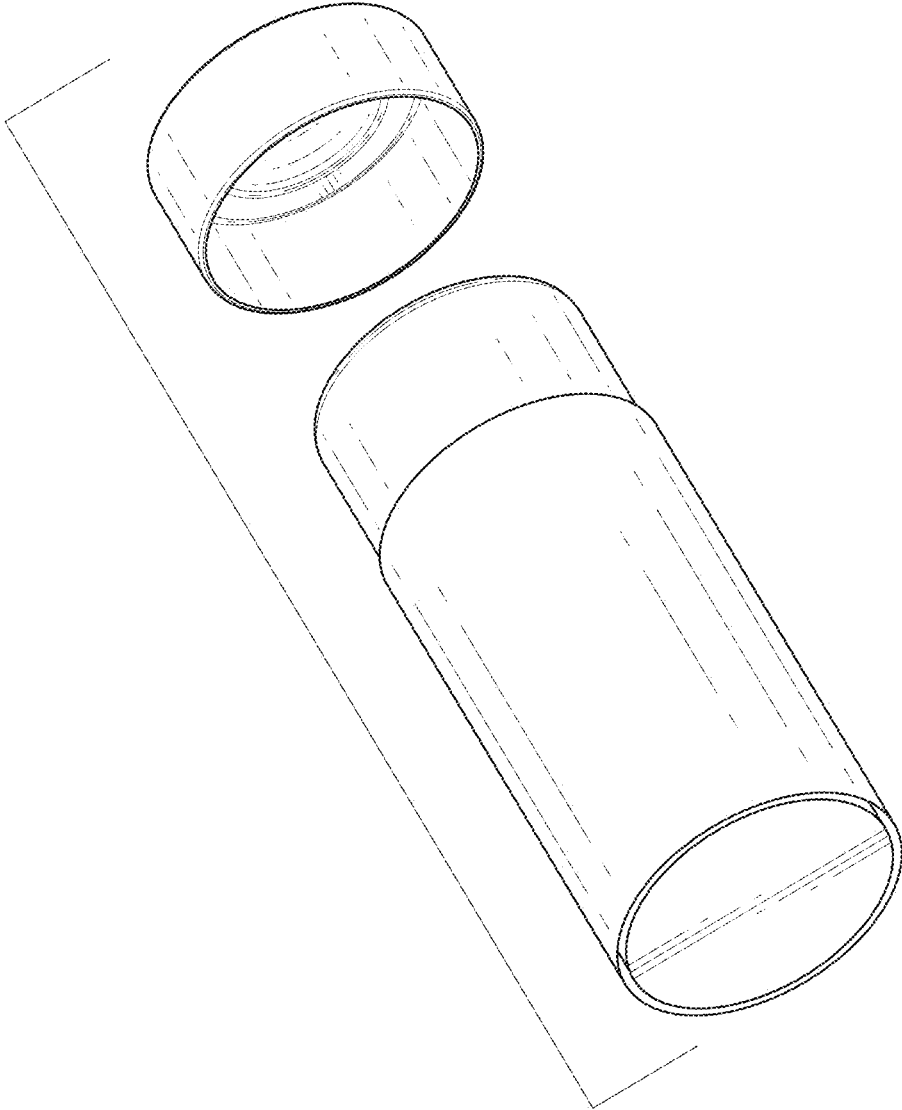


FIG. 3

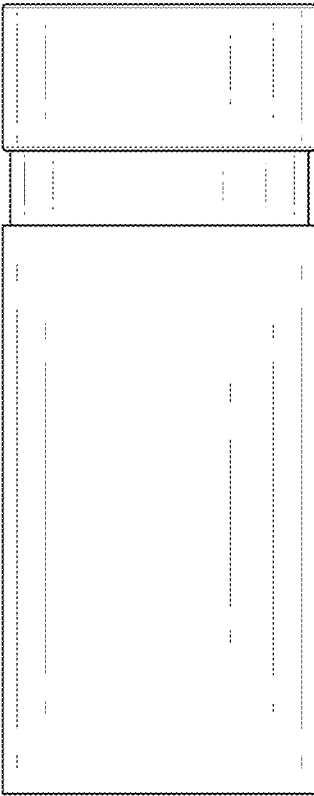


FIG. 4

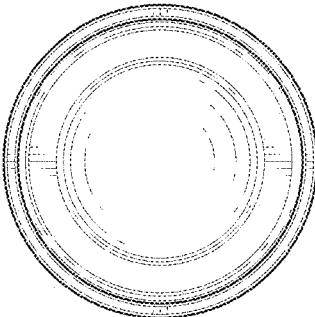


FIG. 5