



US00D750854S

(12) **United States Design Patent**
Lee et al.

(10) **Patent No.:** **US D750,854 S**
(45) **Date of Patent:** **** Mar. 1, 2016**

(54) **NOZZLE FOR DISHWASHER**
(71) Applicant: **Samsung Electronics Co., Ltd.**,
Suwon-si, Gyeonggi-do (KR)
(72) Inventors: **Jae-Moon Lee**, Seoul (KR); **Jae-Jun Kim**, Seoul (KR); **Ji-Young Shin**, Seoul (KR)
(73) Assignee: **SAMSUNG ELECTRONICS CO., LTD.** (KR)
(**) Term: **14 Years**

(21) Appl. No.: **29/494,751**
(22) Filed: **Jun. 24, 2014**

(30) **Foreign Application Priority Data**
Dec. 26, 2013 (KR) 30-2013-0065408
(51) **LOC (10) Cl.** **15-05**
(52) **U.S. Cl.**
USPC **D32/3**
(58) **Field of Classification Search**
USPC D32/1, 2, 3, 25, 28
CPC A47L 15/4221; A47L 15/4223
See application file for complete search history.

(56) **References Cited**
U.S. PATENT DOCUMENTS
1,408,077 A * 2/1922 Clinton 239/227
1,733,249 A * 10/1929 Clinton 239/255
3,160,164 A * 12/1964 Constance et al. 134/176
4,884,585 A * 12/1989 Oh 134/176

D314,255 S * 1/1991 Brito D32/3
5,427,129 A * 6/1995 Young et al. 134/176
5,546,968 A * 8/1996 Jeon et al. 134/179
D376,451 S * 12/1996 Osborn D32/3
5,579,789 A * 12/1996 Spiegel 134/104.1
5,673,714 A * 10/1997 Campagnolo et al. 134/57 D
5,944,037 A * 8/1999 Sinyong et al. 134/176
D461,284 S * 8/2002 Hegeman et al. D32/3
7,980,260 B2 * 7/2011 Bertsch et al. 134/181
8,287,660 B2 * 10/2012 Chen et al. 134/56 D
D675,386 S * 1/2013 Burrows et al. D32/3
D675,387 S * 1/2013 Burrows et al. D32/3
D718,007 S * 11/2014 Baldwin et al. D32/3
D720,509 S * 12/2014 Baldwin et al. D32/3

* cited by examiner

Primary Examiner — T. Chase Nelson
Assistant Examiner — Michelle E Wilson
(74) *Attorney, Agent, or Firm* — Cantor Colburn LLP

(57) **CLAIM**
The ornamental design for a nozzle for dishwasher, as shown and described.

DESCRIPTION
FIG. 1 is a perspective view of a nozzle for dishwasher, showing our new design;
FIG. 2 is a front elevation view thereof;
FIG. 3 is a rear elevation view thereof;
FIG. 4 is a side elevation view thereof;
FIG. 5 is a another side elevation view thereof;
FIG. 6 is a top plan view thereof; and,
FIG. 7 is a bottom plan view thereof.
The broken lines are for environmental purpose only and form no part of the claimed design.

1 Claim, 4 Drawing Sheets

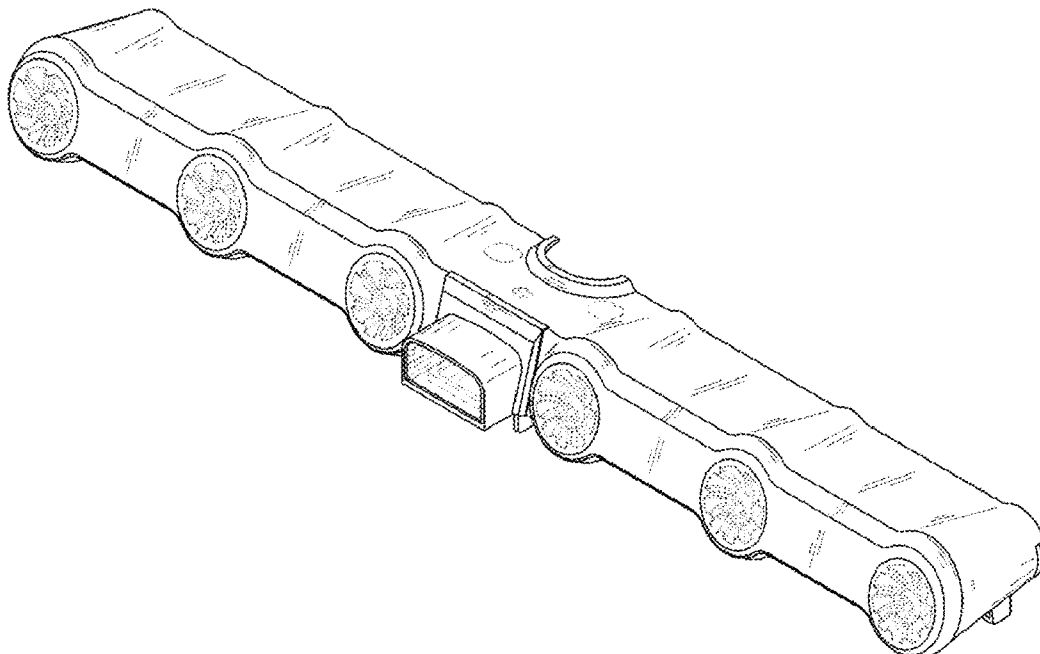


FIG. 1

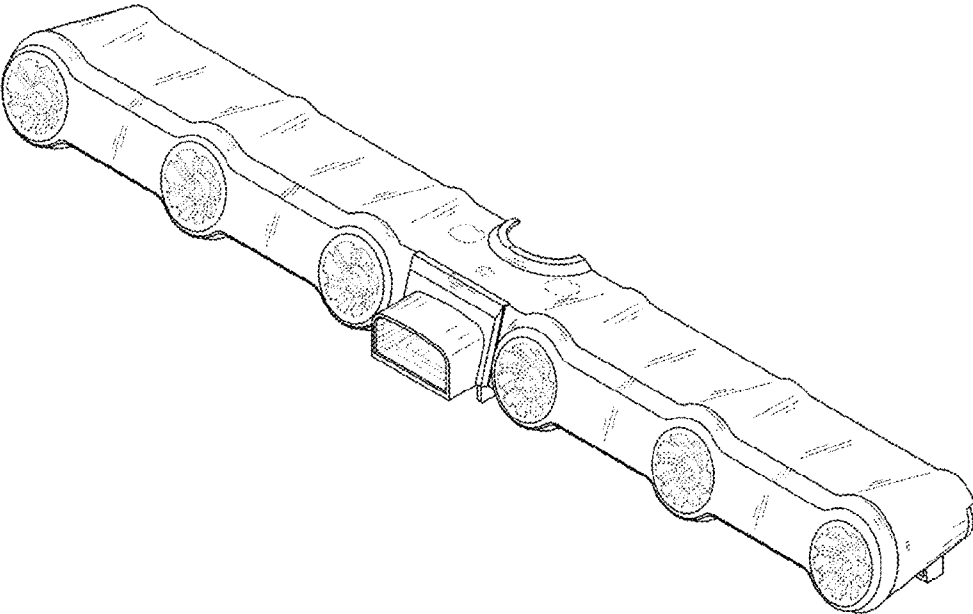


FIG. 2

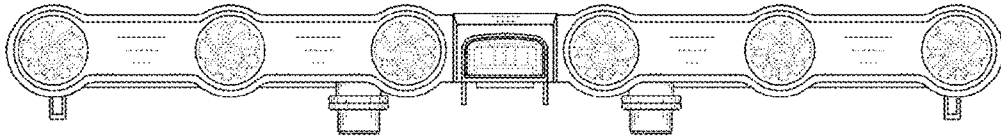


FIG. 3

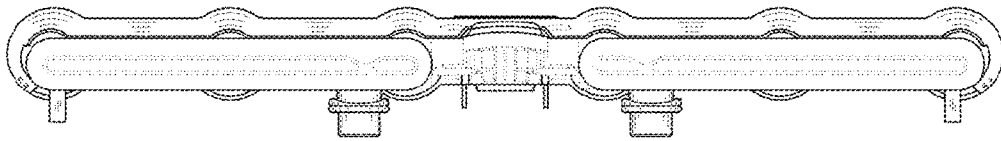


FIG. 4

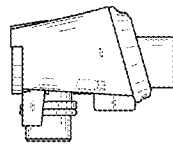


FIG. 5

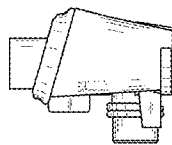


FIG. 6

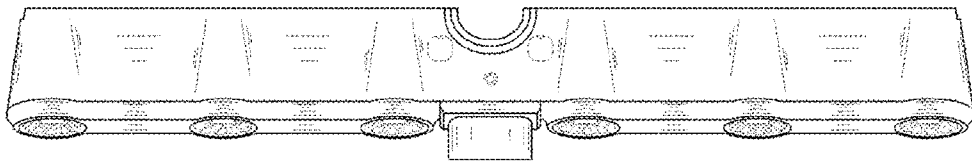


FIG. 7

