



US0D1026668S

(12) **United States Design Patent**
Albert

(10) **Patent No.:** **US D1,026,668 S**

(45) **Date of Patent:** **** May 14, 2024**

- (54) **DOZEN PASTRY TRAY**
- (71) Applicant: **Julia Michelle Albert**, Castro Valley, CA (US)
- (72) Inventor: **Julia Michelle Albert**, Castro Valley, CA (US)
- (**) Term: **15 Years**
- (21) Appl. No.: **29/714,484**
- (22) Filed: **Nov. 22, 2019**
- (51) **LOC (14) Cl.** **09-03**
- (52) **U.S. Cl.**
USPC **D9/761; D9/456; D7/553.8**
- (58) **Field of Classification Search**
USPC D9/737, 751, 752, 755, 756-758, 761, D9/762, 455, 456; D3/304, 313, 314, D3/315, 319; D7/550.1, 553.1, 553.8, D7/555, 701, 708
CPC B65D 5/5038; B65D 2571/0066; B65D 5/2033; B65D 5/503; B65D 85/36; B65D 85/60; Y10S 229/932; A47G 23/065
See application file for complete search history.

- 3,162,077 A 12/1964 Brummer B29C 51/24 83/99
- 3,209,980 A * 10/1965 Festa B65D 71/72 206/521.1
- 3,407,079 A 10/1968 Griffith B65D 85/62 426/124
- D219,058 S * 10/1970 Kaczur 211/74
- D222,950 S * 2/1972 Majewski D7/708
- 3,840,171 A * 10/1974 Waters B65D 71/72 206/139
- 3,899,119 A 8/1975 Roccaforte B65D 5/5021 229/164
- 3,949,930 A * 4/1976 Giordano B65D 5/4802 206/139
- 4,053,099 A * 10/1977 Lock B65D 71/72 229/905

(Continued)

FOREIGN PATENT DOCUMENTS

TR DM-075166 1/2011
Primary Examiner — W. A. Teddy Falloway
 (74) *Attorney, Agent, or Firm* — Adibi IP Group, PC; Amir V. Adibi; Andrew C. Palmer

(57) **CLAIM**

The ornamental design for a dozen pastry tray, as shown and described.

(56) **References Cited**

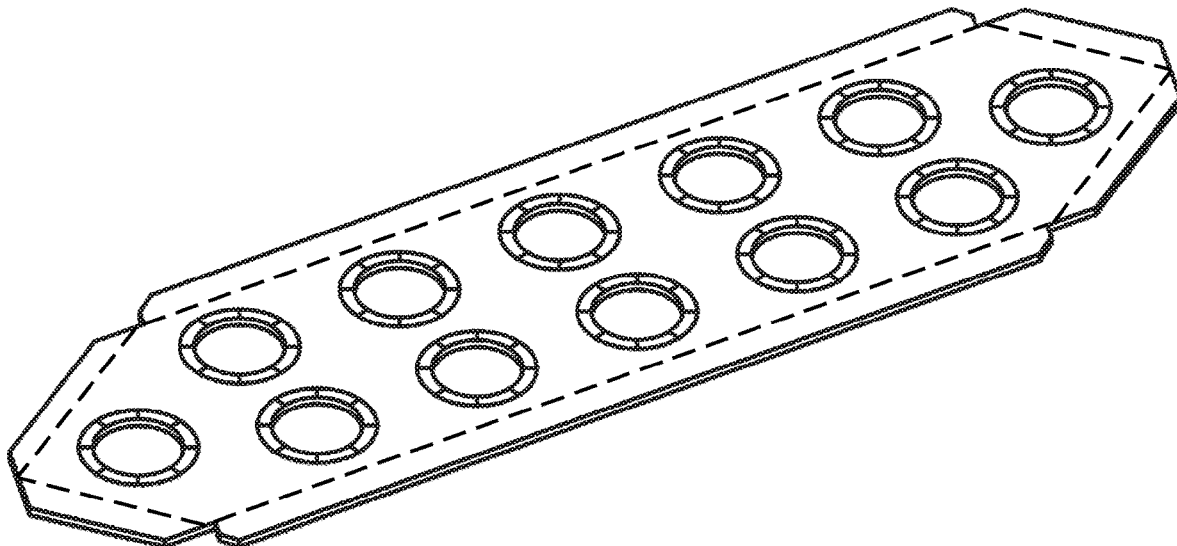
U.S. PATENT DOCUMENTS

- D20,928 S * 7/1891 Kannel D7/553.6
- 1,499,369 A 7/1924 Holland B65D 5/5038 206/499
- 1,565,952 A * 12/1925 Phillips A47G 23/065 294/143
- 1,607,024 A 11/1926 Thomson B65D 5/48024 326/116
- 1,702,199 A * 2/1929 Cunningham A47G 23/065 229/932
- D122,774 S 10/1940 Frederick D7/553.4
- 2,547,716 A * 4/1951 Murphy B65D 71/72 229/932
- 2,761,785 A * 9/1956 Steger B65D 71/16 229/905

DESCRIPTION

FIG. 1 is a front perspective view of a dozen pastry tray showing my new design.
 FIG. 2 is a top view thereof, the bottom view being a mirror image thereof.
 FIG. 3 is a left side view thereof, the right side view being a mirror image thereof; and,
 FIG. 4 is a front view thereof, the back view being a mirror image thereof.
 The broken lines of FIGS. 1-2 depict fold lines that form part of the claimed design.

1 Claim, 4 Drawing Sheets



(56)

References Cited

U.S. PATENT DOCUMENTS

4,216,241	A	8/1980	Thompson	A21B 3/132	D729,589	S	5/2015	Logan	D7/558
					126/390.1	D734,075	S	7/2015	Tapper	D6/672
4,394,905	A *	7/1983	Hackenberg	B65D 5/5014	9,108,780	B2 *	8/2015	Monti	B65D 5/5019
					206/427	D789,788	S	6/2017	Rossiter	D9/433
5,186,321	A *	2/1993	Fadus	B65D 71/42	D793,252	S	8/2017	Prince	D9/755
					206/199	D803,701	S	11/2017	Sellari	D9/756
D334,885	S	4/1993	Eastin	D9/414	D843,224	S	3/2019	Alatryste	D9/703
5,259,750	A *	11/1993	Lewandowski	A21B 3/132	D871,924	S *	1/2020	Vanderwell	D9/755
					425/316	10,575,678	B1	3/2020	Anderson	A47J 37/01
5,320,216	A *	6/1994	Pangborn	B65D 71/48	D881,718	S *	4/2020	Bandinu	D9/755
					206/148	D918,058	S *	5/2021	L'Heureux	D9/752
D348,378	S	7/1994	Crane	D7/610	D921,483	S *	6/2021	Albert	D9/433
D349,615	S	8/1994	McLaughlin	47/86	D941,684	S *	1/2022	García	D9/752
D365,502	S	12/1995	Runge	D7/610	D949,006	S *	4/2022	Albert	D9/418
5,540,334	A *	7/1996	Haas	B65D 25/2885	D949,007	S *	4/2022	Albert	D9/418
					422/561	D966,885	S *	10/2022	Greene	D9/425
5,765,690	A *	6/1998	Baxter	B65D 71/72	11,655,097	B1 *	5/2023	Albert	B65D 85/60
					229/198.2						229/120.07
5,975,412	A	11/1999	Guillin	B65D 5/325	2002/0108880	A1 *	8/2002	Krupa	B65D 5/5038
					220/DIG. 25						206/223
6,296,120	B1	10/2001	Danko	B65D 5/503	2005/0238773	A1	10/2005	Stease	A21B 3/132
					229/906						426/505
6,527,123	B1	3/2003	Ausaf	B65D 81/113	2006/0278559	A1 *	12/2006	Hamblin	B65D 71/72
					206/541						206/562
D487,673	S	3/2004	Mishan	D7/553.4	2010/0127058	A1 *	5/2010	Bates	B65D 71/004
6,758,008	B1	7/2004	Thebolt	A01M 23/24						229/117.13
					43/58	2011/0226635	A1 *	9/2011	Boiteau	A47G 23/0641
6,973,872	B2	12/2005	Morgan	A21B 3/13						206/139
					99/428	2015/0034664	A1	2/2015	Baecher	A21B 3/135
D515,941	S *	2/2006	Hamblin	D9/756						220/780
D519,387	S *	4/2006	Liukko	D9/756	2015/0344216	A1	12/2015	Petty	B65D 5/6626
7,303,115	B1	12/2007	McClymont	B65D 5/6664						206/589
					229/152	2019/0177031	A1 *	6/2019	Vanderwell	B65D 5/5038
7,517,933	B2	4/2009	Holmes	A21B 3/136	2020/0122910	A1	4/2020	Cruz	B65D 5/0015
					524/588	2023/0101163	A1 *	3/2023	Garnier	B65D 71/42
											206/153
						2023/0192377	A1 *	6/2023	Merzeau	B65D 71/42
											206/140

* cited by examiner

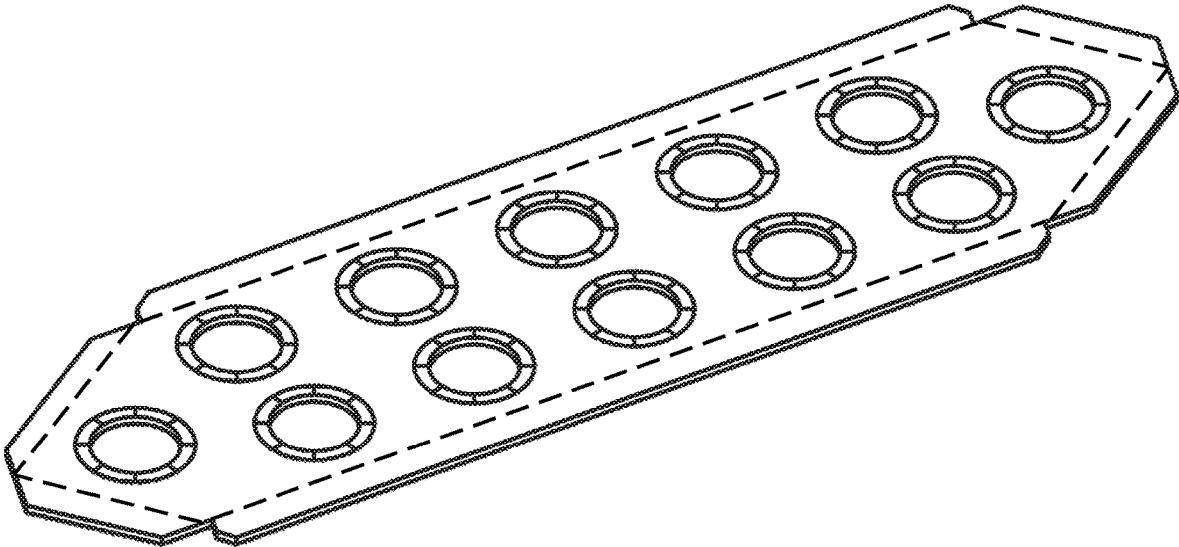


FIG. 1

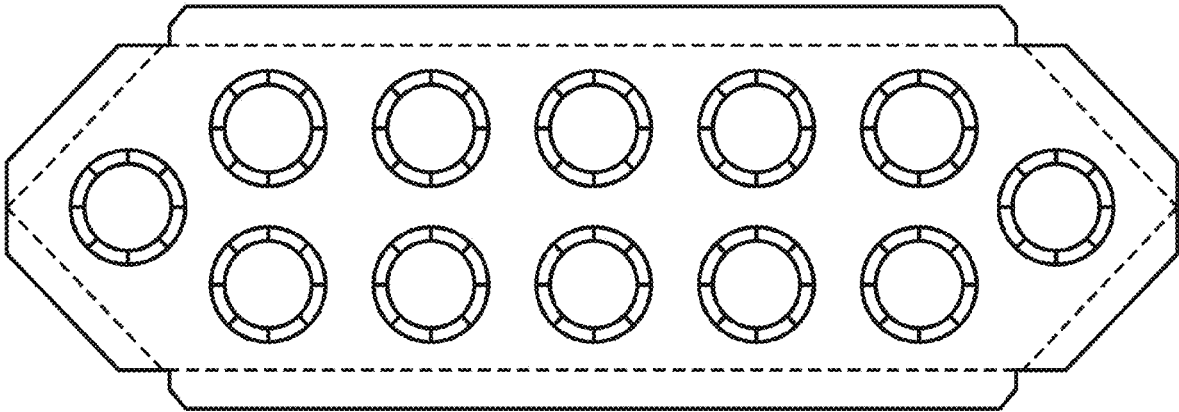


FIG. 2



FIG. 3



FIG. 4