



US0D1018324S

(12) **United States Design Patent**  
**Buck**

(10) **Patent No.:** **US D1,018,324 S**

(45) **Date of Patent:** **\*\* Mar. 19, 2024**

- (54) **JAR**
- (71) Applicant: **Central Bag & Burlap Co.**, Denver, CO (US)
- (72) Inventor: **Jeremiah Buck**, Denver, CO (US)
- (73) Assignee: **CENTRAL BAG & BURLAP CO.**, Denver, CO (US)
- (\*\*) Term: **15 Years**

5,197,616 A 3/1993 Buono  
 D441,284 S 5/2001 Saur et al.  
 D442,864 S 5/2001 Davies  
 D453,473 S 2/2002 Del Bianco  
 D484,646 S 12/2003 Ditrichstein  
 (Continued)

**FOREIGN PATENT DOCUMENTS**

CN 301921442 5/2012  
 CN 303603019 3/2016  
 (Continued)

**OTHER PUBLICATIONS**

Child Proof 9ml Cube Jar Glass Containers. Date first available: Aug. 6, 2020. Site visited: Aug. 24, 2022. Available online: [https://www.amazon.com/dp/B08QVHGY82/ref=sspa\\_dk\\_detail\\_0](https://www.amazon.com/dp/B08QVHGY82/ref=sspa_dk_detail_0) (Year: 2020).\*

(Continued)

*Primary Examiner* — Catherine S Posthauer  
*Assistant Examiner* — Joan E. Diehl  
 (74) *Attorney, Agent, or Firm* — Sheridan Ross P.C.

(57) **CLAIM**

The ornamental design for a jar, as shown and described.

**DESCRIPTION**

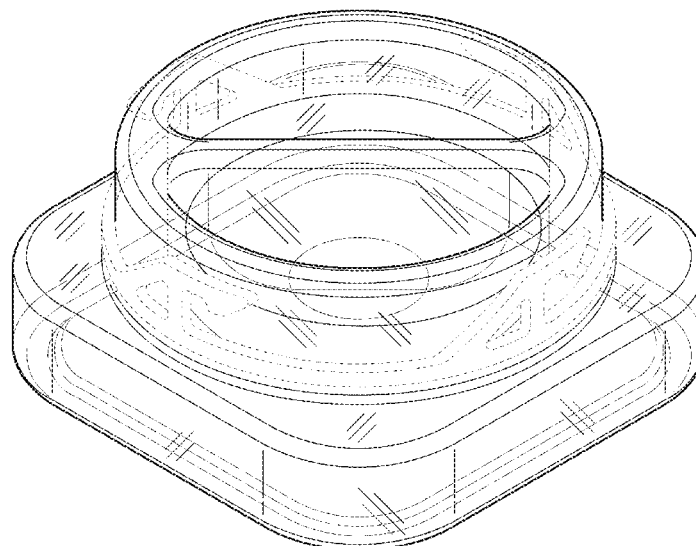
FIG. 1 is a perspective view of a jar of the claimed design; FIG. 2 is a front elevation view of the jar of FIG. 1; FIG. 3 is a rear elevation view of the jar of FIG. 1; FIG. 4 is a right elevation view of the jar of FIG. 1; FIG. 5 is a left elevation view of the jar of FIG. 1; FIG. 6 is a top plan view of the jar of FIG. 1; and, FIG. 7 is a bottom plan view of the jar of FIG. 1. The broken lines in the figures are for the purposes of illustrating portions of the jar or environmental structure and form no part of the claimed design.

**1 Claim, 7 Drawing Sheets**

- (21) Appl. No.: **29/766,527**
- (22) Filed: **Jan. 15, 2021**
- (51) **LOC (14) Cl.** ..... **09-01**
- (52) **U.S. Cl.**  
USPC ..... **D9/738**
- (58) **Field of Classification Search**  
USPC ..... D9/516, 529, 546, 558, 559, 560–561, D9/564, 565, 574, 715, 744, 738, 743; D28/4–7, 76–77, 82–83  
CPC ..... B65D 5/16; B65D 5/0209; B65D 2 501/0081; B65D 1/10; B65D 23/02; B65D 65/46; B65D 21/0204; A45D 33/006; A45D 33/003; A45D 40/0068; A45D 40/07; A45D 40/26; A45D 2040/0006  
See application file for complete search history.

(56) **References Cited**  
**U.S. PATENT DOCUMENTS**

D34,061 S	2/1901	Scattergood	
D65,326 S	7/1924	Cahalane	
2,076,551 A	4/1937	Conner	
2,077,215 A	4/1937	Conner	
2,077,216 A	4/1937	Conner	
D171,516 S *	2/1954	Otto	D9/560
2,711,766 A	6/1955	Archer	
3,311,248 A	3/1967	Marchant	
D237,361 S	10/1975	Picker	
4,020,965 A	5/1977	Northup	



(56)

References Cited

U.S. PATENT DOCUMENTS

D493,721 S 8/2004 Puigbo  
 D498,424 S 11/2004 Moretti  
 D505,625 S 5/2005 Servaux et al.  
 D506,128 S 6/2005 Foi  
 D519,837 S 5/2006 Sturk  
 D540,688 S 4/2007 Lascaux  
 D554,367 S 11/2007 Chou et al.  
 D555,013 S \* 11/2007 Bartolone ..... D9/738  
 D563,235 S 3/2008 Canamasas Puigbo  
 D563,795 S 3/2008 Canamasas Puigbo  
 D570,221 S 6/2008 Moretti  
 D574,240 S 8/2008 Szczesniak  
 D577,292 S 9/2008 Moretti  
 D575,891 S 10/2008 Canamasas  
 D579,784 S 11/2008 Verlet  
 7,527,159 B2 5/2009 Brozell  
 D595,577 S \* 7/2009 Uneno ..... D9/504  
 D598,297 S \* 8/2009 Rica ..... D9/560  
 D604,630 S \* 11/2009 Canamasas Puigbo ..... D9/560  
 7,815,061 B1 10/2010 Robinson et al.  
 D633,386 S 3/2011 Taber et al.  
 D634,202 S 3/2011 Zamberian et al.  
 D635,030 S 3/2011 L'Abbate  
 D638,300 S 5/2011 L'Abbate  
 D641,257 S 7/2011 Thiebaut et al.  
 D645,749 S 9/2011 Lee  
 D652,301 S 1/2012 Pelkey  
 8,205,761 B2 6/2012 Stull, Sr. et al.  
 D672,554 S 12/2012 Penttinen  
 D679,990 S 4/2013 O'Brien et al.  
 D687,299 S 8/2013 Peykoff et al.  
 8,672,158 B2 3/2014 Taber et al.  
 9,045,265 B2 6/2015 Adamczak  
 D739,741 S 9/2015 Staab  
 D742,593 S 11/2015 Corey et al.  
 D742,756 S \* 11/2015 DeVore ..... D9/575  
 D746,627 S 1/2016 Puigbo  
 D755,051 S 5/2016 Otani et al.  
 D768,936 S 10/2016 Yoshida  
 D768,937 S 10/2016 Yoshida  
 D781,151 S 3/2017 Lerman  
 D786,078 S 5/2017 Futagami  
 D787,895 S \* 5/2017 Kilduff ..... D7/629  
 D795,705 S \* 8/2017 Huang ..... D9/500  
 D797,559 S 9/2017 Lerman  
 D799,328 S 10/2017 Canamasas Puigbo  
 D803,687 S \* 11/2017 Fernandez ..... D9/558  
 D808,080 S 1/2018 Corey et al.  
 D821,216 S \* 6/2018 Weinrich ..... D9/560  
 D837,094 S 1/2019 Hung  
 D853,240 S \* 7/2019 Steel ..... D9/500  
 D869,279 S \* 12/2019 Stoneberg ..... D9/516  
 D870,560 S \* 12/2019 Yoshioka ..... D9/560  
 D901,305 S 11/2020 Buck  
 D902,103 S 11/2020 Al Attar  
 D920,104 S \* 5/2021 Griffin ..... D9/434  
 D966,720 S 10/2022 Lu  
 2005/0074528 A1 4/2005 Servaux et al.  
 2005/0082180 A1 4/2005 Smouha  
 2008/0308518 A1 12/2008 Sprishen  
 2008/0314900 A1 12/2008 Biesecker et al.  
 2010/0307521 A1 12/2010 Pires et al.  
 2011/0147334 A1 6/2011 Mettu et al.  
 2015/0076103 A1 3/2015 Koller et al.  
 2015/0122767 A1 5/2015 Mettu et al.  
 2015/0122769 A1 5/2015 Taber et al.  
 2015/0298866 A1 10/2015 Hagen  
 2016/0030285 A1 2/2016 Miceli et al.  
 2021/0298451 A1 \* 9/2021 Coquard ..... B65D 77/0493

FOREIGN PATENT DOCUMENTS

FR 2720376 12/1995  
 FR 3062375 B1 \* 11/2020 ..... A45D 33/003  
 JP 2001-158455 6/2001

KR 20170123946 A \* 11/2017 ..... A45D 2040/0006  
 SI 9650055-0001 10/1996  
 TR 2005-01421 7/2005  
 WO 83/02763 8/1983

OTHER PUBLICATIONS

7ML Cube Jar Glass Containers W/Dual Compartments. Date first available: 2022. Site visited: Aug. 24, 2022. Available online: <https://www.premiumvials.com/7ml-cube-jar-glass-containers-w-dual-compartments-3-5ml-each-compartment-60-pack-square-jar-black-lid/> (Year: 2022).\*

53 Dram (6.6oz) White HDPE 80MM CRC Jar. Date first available: 2022. Site visited: Aug. 30, 2022. Available online: <https://www.burchbottle.com/53-Dram-6.6oz-White-HDPE-80mm-CRC-Jar> (Year: 2022).\*

Qube Split. Date first available: 2022. Site visited: Aug. 24, 2022. Available online: <https://www.mmcdot.com/qube-concentrates/> (Year: 2022).\*

Official Action for U.S. Appl. No. 29/757,600, dated Jun. 29, 2021, 10 pages.

U.S. Appl. No. 29/757,600, filed Nov. 6, 2020, Buck.

"25 Cosmetic Containers Thick Wall Square Plastic Beauty Lip Balm Jars Makeup Packaging—10 Gram MI (Black Lids) 3088-25 | Free US Shipping," Etsy.com, 2017, retrieved from <https://www.etsy.com/listing/178816741/25-cosmetic-containers-thick-wall-square?ref=reviews>, 10 pages.

"3 Pcs Clear Acrylic Square Cosmetic Jar with Black Cap Empty Upscale Sample Bottles Containers for Storage Lotton Facial Cream Mask size 50ML/1.7Oz," Amazon.com, 2020, retrieved from <https://www.amazon.com/Acrylic-Cosmetic-Upscale-Bottles-Containers/dp/B07RSDWXWZ>, 7 pages.

"5g 15g 30g 50g Square Cosmetic Acrylic Jar Face Cream Container," Songmile, 2020, retrieved from [https://www.song-mile.com/products/products-view\\_783.html](https://www.song-mile.com/products/products-view_783.html), 4 pages.

"7 mL Clear Glass Low Profile Jar 38-400," Container & Packaging Supply, INC., Mar. 2016, retrieved from [www.containerandpackaging.com/item/G009C](http://www.containerandpackaging.com/item/G009C), 3 pages.

"Child Resistant Plastic Caps," Alameda Packaging, 2016, retrieved from [https://www.alamedapackaging.com/Catalog/Caps/Plastic\\_Caps/NonDispensing\\_Caps/181/Child\\_Resistant\\_Plastic\\_Caps.html](https://www.alamedapackaging.com/Catalog/Caps/Plastic_Caps/NonDispensing_Caps/181/Child_Resistant_Plastic_Caps.html), 19 pages.

"Clear color 5ml glass jar tempered glass storage jars dab wax jar container oil concentrate & cosmetic cream container," Dhgate.com © 2015, retrieved from [www.dhgate.com/product/clear-color-5ml-glass-jar-tempered-glass/238531495.html](http://www.dhgate.com/product/clear-color-5ml-glass-jar-tempered-glass/238531495.html), 2 pages.

"EL-28595 Drawings," Distributed by McKernan Packaging Clearing House to Customers starting Mar. 21, 2011, 2 pages.

"EL-28595," McKernan Packaging Clearing House Website as it appeared on Archive.org, Oct. 30, 2013, retrieved from <https://web.archive.org/web/20131030045106/http://mckernan.com/store/images/D/EL-28595.jpg>, 1 page.

"EL-32315," McKernan Packaging Clearing House, 2017, retrieved from [mckernan.com/products/glass-jars/ei-32315](http://mckernan.com/products/glass-jars/ei-32315), 6 pages.

"Feb. 2012 Hot Deais," McKernan Packaging Clearing House Catalog, Feb. 2012. 1 page.

"Frosted Glass Low Profile Jar—7ml," Saffire Blue, Inc. © 2016, retrieved from [www.saffireblue.ca/shop/glass-jars/frosted-glass-jars/frosted-glass-low-profile-jar-7-ml](http://www.saffireblue.ca/shop/glass-jars/frosted-glass-jars/frosted-glass-low-profile-jar-7-ml), 2 pages.

"HOLISTICPackaging Company website," Holistic Packaging Company, © 2011, retrieved from <http://holisticpackaging.com>, 4 pages.

"McKernan Adds Low Profile, Frosted Glass Jars," Beauty Packaging, Jun. 2006, retrieved from [http://www.beutypackaging.com/issues/2012-06/view\\_design-center/mckernan-adds-low-profile-frosted-glass-jars](http://www.beutypackaging.com/issues/2012-06/view_design-center/mckernan-adds-low-profile-frosted-glass-jars), 7 pages.

"Thick Wall Glass Concentrate Jars—Not CR Clear," eBottles.com, Jul. 2014, retrieved from [https://www.ebottles.com/showbottles-bottle-1689-kw-THICK\\_WALL\\_GLASS\\_CONCENTRATE\\_JARS\\_NOT\\_CR\\_CLEAR.htm#](https://www.ebottles.com/showbottles-bottle-1689-kw-THICK_WALL_GLASS_CONCENTRATE_JARS_NOT_CR_CLEAR.htm#), 2 pages.

"Two Piece Plastic, Saf-Cap IIIA, ASTM Type: IA," Van Blarcom Closures Inc., 2004, 4 pages.

(56)

**References Cited**

## OTHER PUBLICATIONS

“White Child Resistant PE Lined “Push Down” Caps,” SKS Science Products, 2007, retrieved from: [www.sks-science.com/closures-p-2756.html](http://www.sks-science.com/closures-p-2756.html), 1 page.

Official Action for Canada Patent Application No. 182997, dated Apr. 25, 2019 2 pages.

Official Action for U.S. Appl. No. 29/637,411, dated Mar. 6, 2019 6 pages Restriction Requirement.

Official Action for U.S. Appl. No. 29/637,411, dated May 16, 2019 6 pages.

Official Action for U.S. Appl. No. 29/637,411, dated Mar. 17, 2020 8 pages.

Official Action for U.S. Appl. No. 29/637,411, dated Sep. 25, 2020, 5 pages.

Official Action for U.S. Appl. No. 29/757,600, dated Jan. 1, 2021, 12 pages.

Official Action for Canada Patent Application No. 204953, dated Mar. 6, 2023, 3 pages.

“(200 Pack) 9ml Thick Black Glass Square Cube Containers with Black Child Resistant Lids,” Premium Vials, Aug. 18, 2023, retrieved from <https://www.premiumvials.com/250-pack-9ml-thick-black-glass-square-cube-containers-with-black-child-resistant-lids-concentrate-jars-for-oil-lip-balm-wax-cosmetics/>, 5 pages.

“(50 Packs) Green Nexus 5ML Square Clear Glass Jars for Lip Balm, Cosmetics (5ML),” Amazon.com, Jun. 7, 2021, retrieved from <https://www.amazon.com/Packs-Green-Nexus-Square-Cosmetics/dp/B091BWMMP?th=1>, 8 pages.

“1PCS 30G/1oz Empty Refill Upscale Acrylic Lotion Vial Bottle Face Cream Eye Cream Jar Cosmetic Makeup Sample Packing Pot Storage Container with PP Liner,” Amazon.com, publication date unknown, retrieved Dec. 7, 2023 from <https://www.amazon.com/upscale-acrylic-cosmetic-packing-container/dp/B07P3HPBQK>, 3 pages.

“30Pcs Plastic Tiny Jars Square Shape Cosmetic Sample Empty Jar Bottles Vials Storage Container Case with Screw Cap for Make Up, Eye Shadow, Nails, Powder, Paint, Jewelry (5G),” Amazon.com, publication date unknown retrieved Aug. 30, 2023 from <https://www.amazon.com/Plastic-Cosmetic-Bottles-Storage-Container/dp/B07C4THTXL>, 7 pages.

“9ml Square Glass Concentrate Jars (Child Resistant)—Medicine Lip Balm Makeup (Black, 16),” Amazon.com, Aug. 30, 2023, retrieved from <https://www.amazon.com/SQUARE-Glass-Concentrate-Child-Resistant/dp/B089ZMD4Q3?th=1>, 6 pages.

“Skylety 200 Pcs Glass 5 ml Cosmetic Jars Cosmetic Containers Bulk Cream Jars Black Lids Sample Jars Bulk Empty Cosmetic Containers for Lotion Lip Balm Makeup Wax Cosmetics Powder Supplies (Square),” Amazon.com, Apr. 13, 2023, retrieved from <https://www.amazon.com/Skylety-Cosmetic-Containers-Cosmetics-Supplies/dp/B0C2BSGM8F>, 7 pages.

“Square Glass Jar Thick with Child Resistant Lids Compact Travel Concentrate Jars for Oil Lip Balm Wax Cosmetics 20Pack 5ml 9ml,” AliExpress, Aug. 15, 2023, retrieved from <https://www.aliexpress.com/item/1005005862844849.html>, 5 pages.

Official Action for U.S. Appl. No. 29/771,145, dated Sep. 14, 2023, 14 pages.

\* cited by examiner

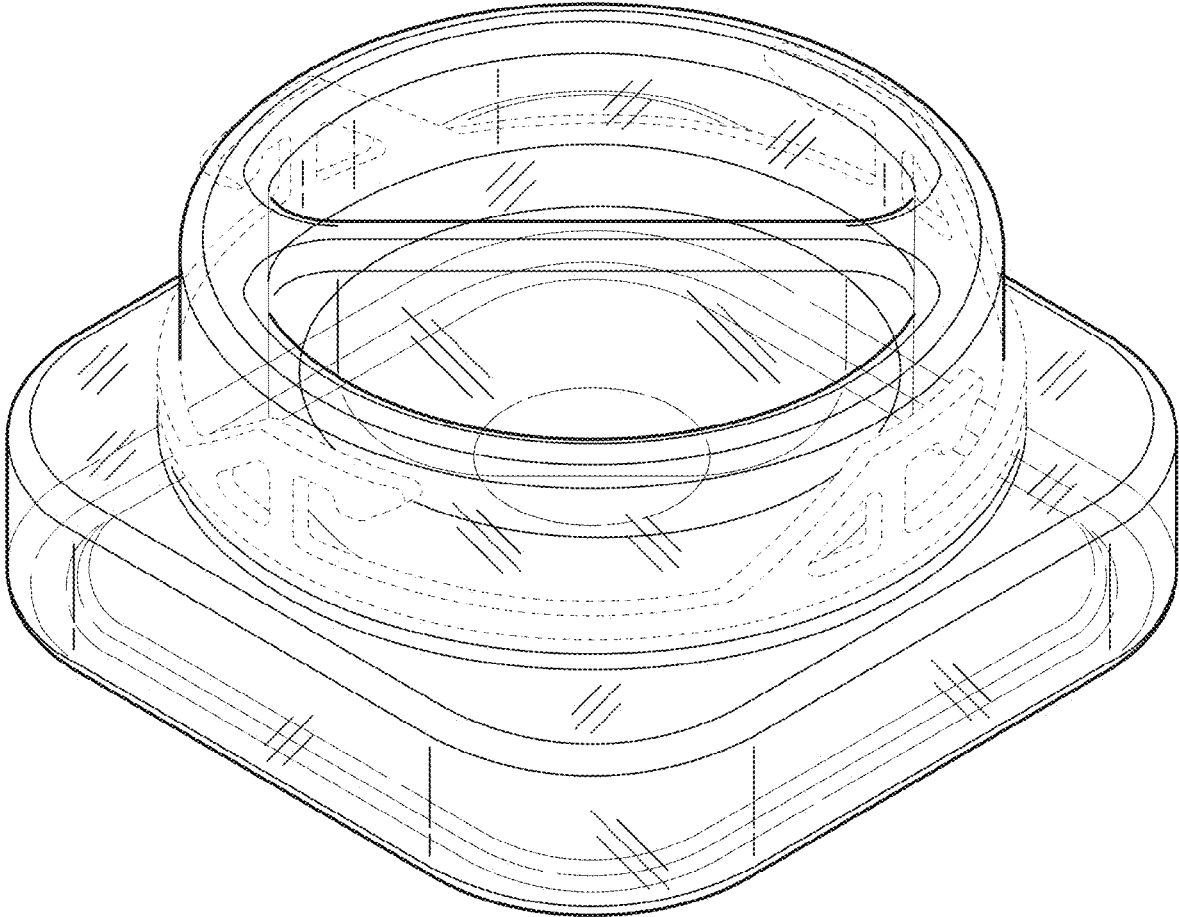


FIG.1

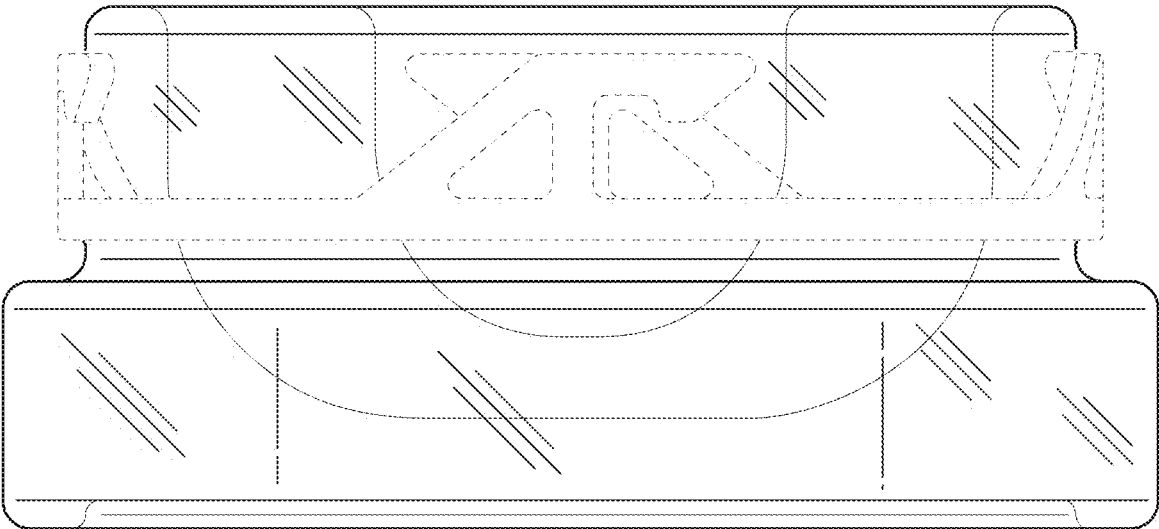


FIG.2

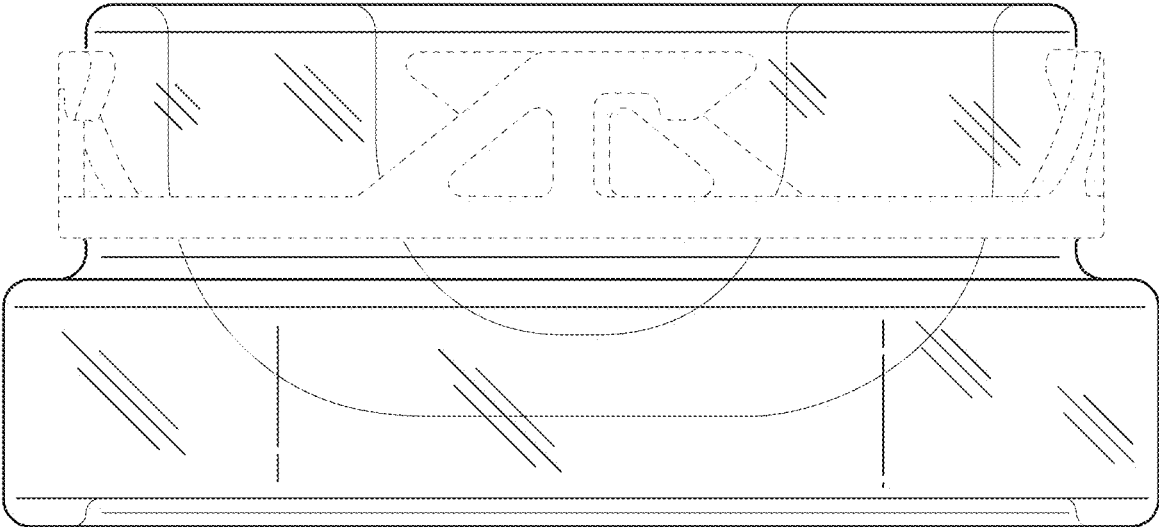


FIG.3

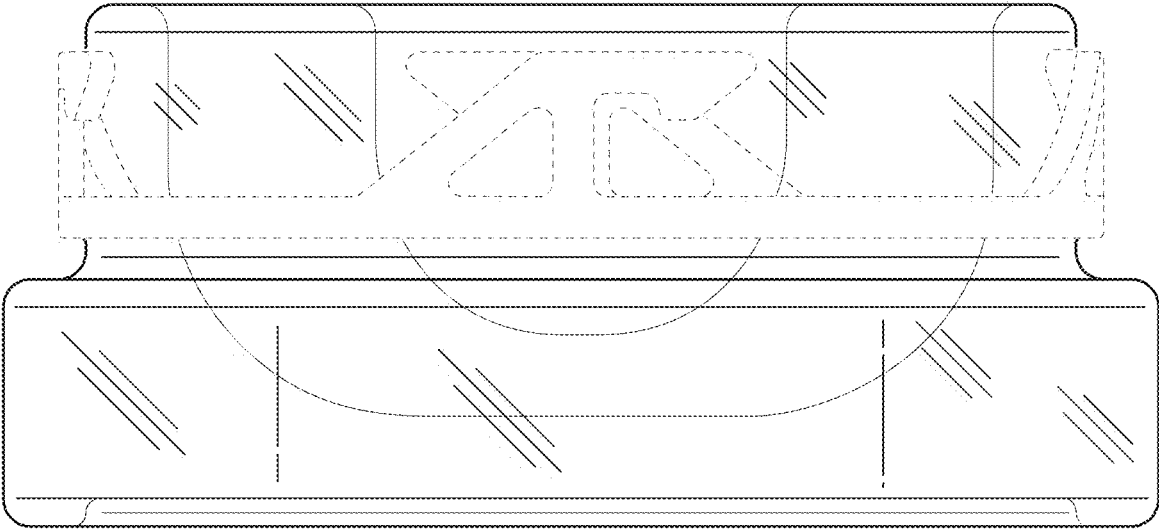


FIG.4

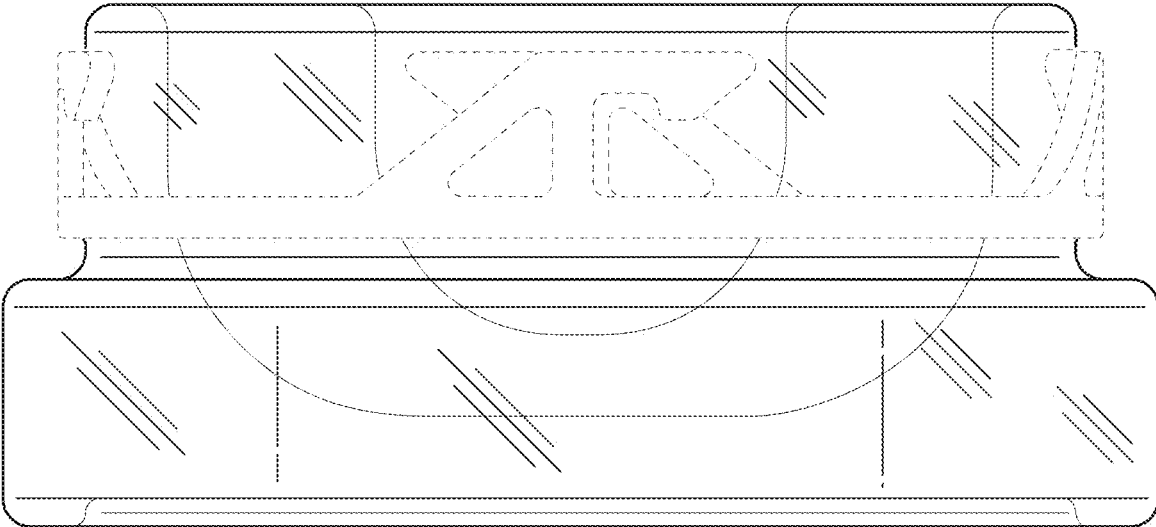


FIG.5



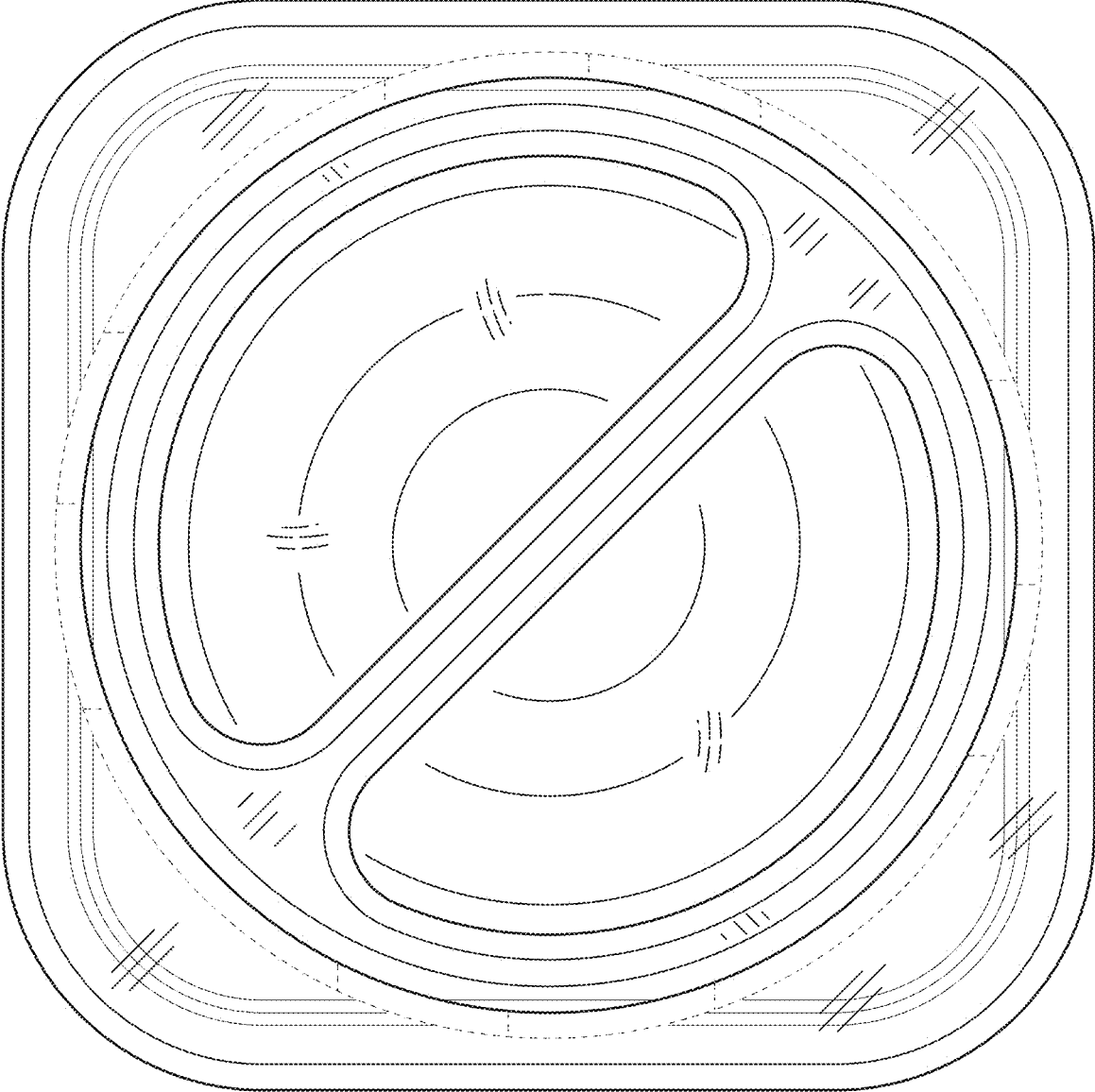


FIG.6



FIG.7