



US00D941581S

(12) **United States Design Patent**  
**Yamashiro et al.**

(10) **Patent No.:** **US D941,581 S**  
(45) **Date of Patent:** **\*\* Jan. 25, 2022**

(54) **STORAGE CASE**

FOREIGN PATENT DOCUMENTS

(71) Applicant: **Iris Ohyama Inc.**, Sendai (JP)

JP 1541256 S 1/2016  
KR 30-0887500 S 12/2016

(72) Inventors: **Shuhei Yamashiro**, Kakuda (JP);  
**Susumu Kobayashi**, Kakuda (JP)

OTHER PUBLICATIONS

(73) Assignee: **IRIS OHYAMA INC.**, Sendai (JP)

Amazon, "Iris USA DF-S Shoe Box, Large Clear", First reviewed Sep. 28, 2014. (<https://www.amazon.com/dp/B00CP52TEI>) (Year: 2014).\*

(\*\*) Term: **15 Years**

(Continued)

(21) Appl. No.: **29/716,566**

*Primary Examiner* — April Rivas

(22) Filed: **Dec. 10, 2019**

(74) *Attorney, Agent, or Firm* — Studebaker & Brackett PC

(30) **Foreign Application Priority Data**

Jun. 20, 2019 (JP) ..... 2019-013660

(51) **LOC (13) Cl.** ..... **03-01**

(57) **CLAIM**

(52) **U.S. Cl.**  
USPC ..... **D3/294**; D3/298

The ornamental design for a storage case, as shown and described.

(58) **Field of Classification Search**  
USPC ..... D3/201, 217, 273, 276, 279, 283, 285,  
D3/289, 290, 900, 902, 905, 257, 258,  
D3/278, 318, 303, 254, 321, 216, 901,  
D3/294, 298; D6/663, 569  
CPC ..... A45C 2003/008; A45C 2005/035; A45C  
2003/007; A45C 13/02; A45C 11/02;  
A45C 2200/10; A45C 2013/026; A45C  
2013/025; A45C 2011/002; B25H 3/02;  
B65F 1/04; B65F 1/08; A47B 81/00

**DESCRIPTION**

See application file for complete search history.

FIG. 1 is a front, top and right-side perspective view of a storage case showing our new design in an open configuration;  
FIG. 2 is a front view thereof;  
FIG. 3 is a rear view thereof;  
FIG. 4 is a top view thereof;  
FIG. 5 is a bottom view thereof;  
FIG. 6 is a right-side view thereof;  
FIG. 7 is a left-side view thereof;  
FIG. 8 is a rear, top and left-side perspective view thereof;  
FIG. 9 is a closed front perspective view thereof;  
FIG. 10 is an open front perspective view thereof, with the lid partially retracted; and,  
FIG. 11 is an open front perspective view thereof, with the lid fully retracted.  
The broken lines illustrate portions of the storage case and form no part of the claimed design.

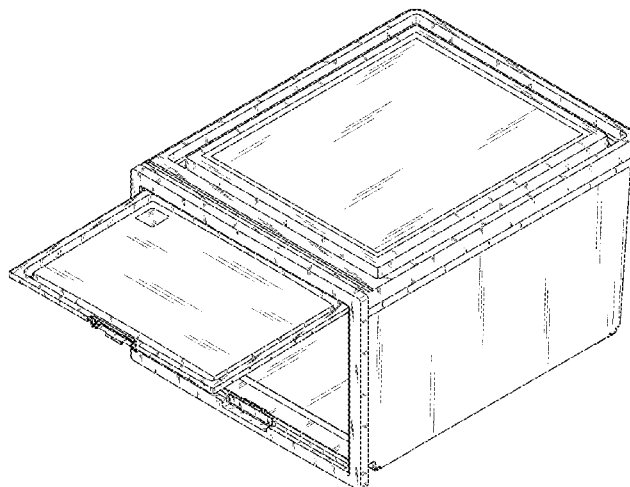
(56) **References Cited**

U.S. PATENT DOCUMENTS

D445,568 S \* 7/2001 Lippisch ..... D3/273  
D518,708 S \* 4/2006 Ohayon ..... D3/298  
D643,628 S \* 8/2011 Monarch ..... D3/302  
D676,238 S \* 2/2013 Wu ..... D3/294  
D719,731 S \* 12/2014 Burgess ..... D3/302  
9,365,321 B2 \* 6/2016 Wu ..... B65D 25/38  
D777,428 S \* 1/2017 Hsu ..... D3/273  
D778,608 S \* 2/2017 Hsu ..... D3/294

(Continued)

**1 Claim, 11 Drawing Sheets**



(56)

**References Cited**

U.S. PATENT DOCUMENTS

D838,479 S \* 1/2019 Felsenthal ..... D3/294  
D841,327 S \* 2/2019 Hsu ..... D3/297  
D841,980 S \* 3/2019 Hsu ..... D3/273  
D851,933 S \* 6/2019 Hsu ..... D3/294  
2008/0308447 A1 \* 12/2008 Boland ..... B65D 25/005  
206/512

OTHER PUBLICATIONS

Amazon.jp, "Iris Ohyama MSB-S Shoe Box . . . ", First on sale Jul. 25, 2019. (<https://www.amazon.co.jp/dp/B07W5YQJFV>)(Year: 2019).\*  
Office Action issued in JP 2019-013660; mailed by the Japanese Patent Office dated Nov. 5, 2019.

An Office Action issued by the Japanese Patent Office dated Mar. 3, 2020, which corresponds to Japanese Application No. 2019-013660 and is related to U.S. Appl. No. 29/716,566, with English language concise explanation.

\* cited by examiner

FIG. 1

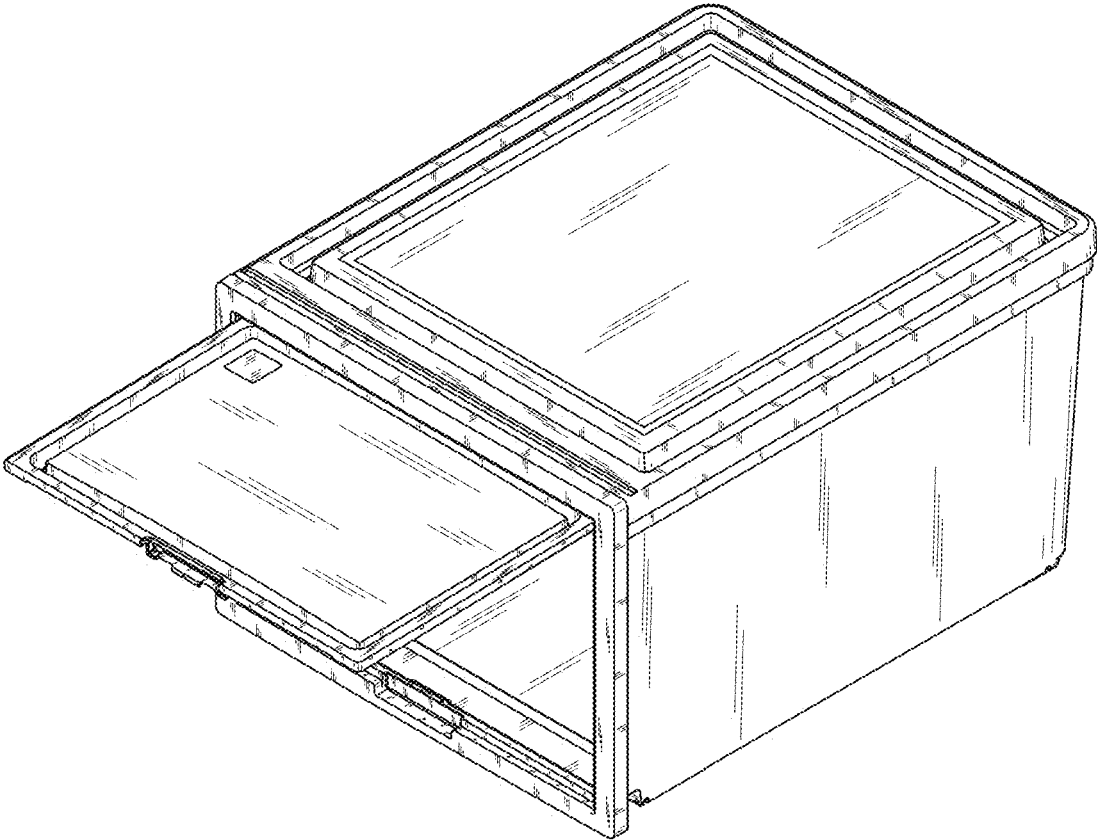


FIG.2

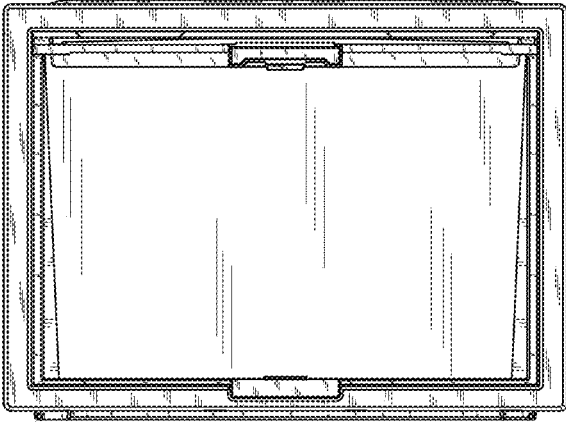


FIG.3

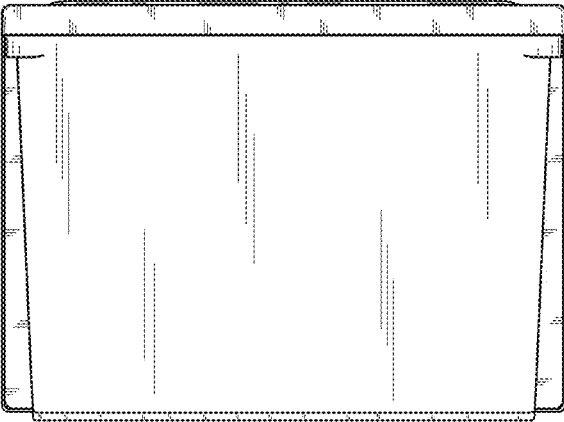


FIG.4

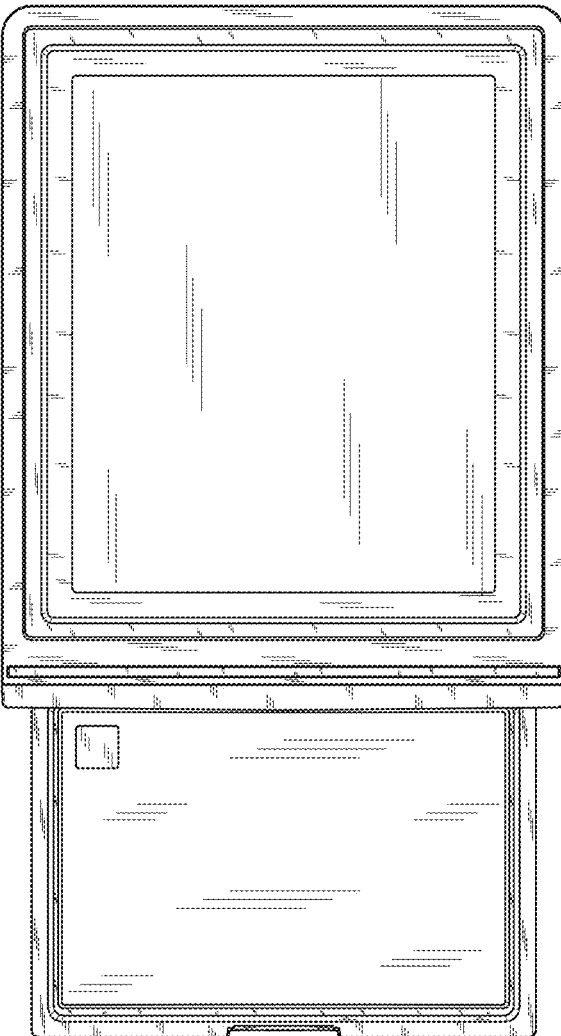


FIG.5

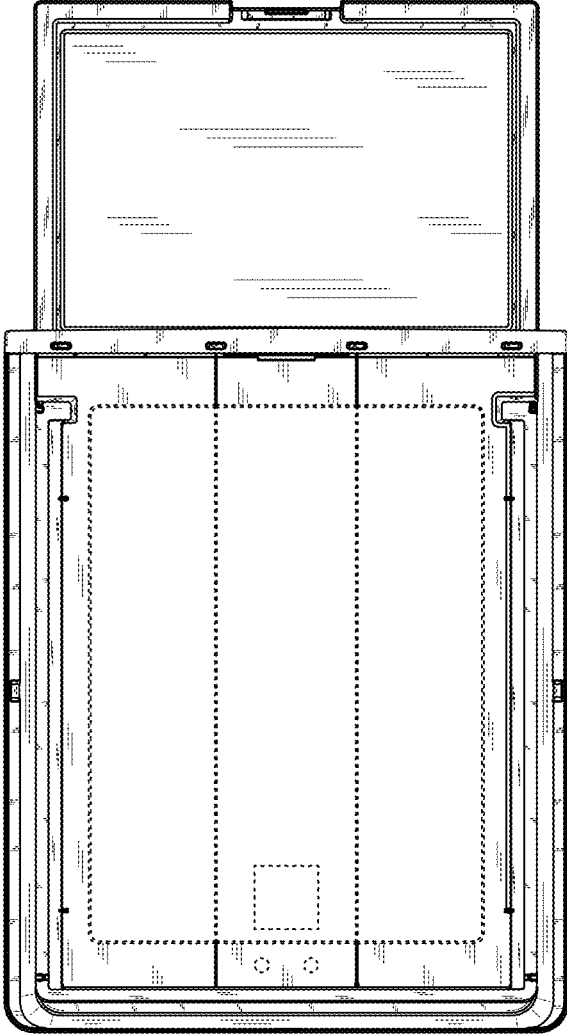


FIG.6

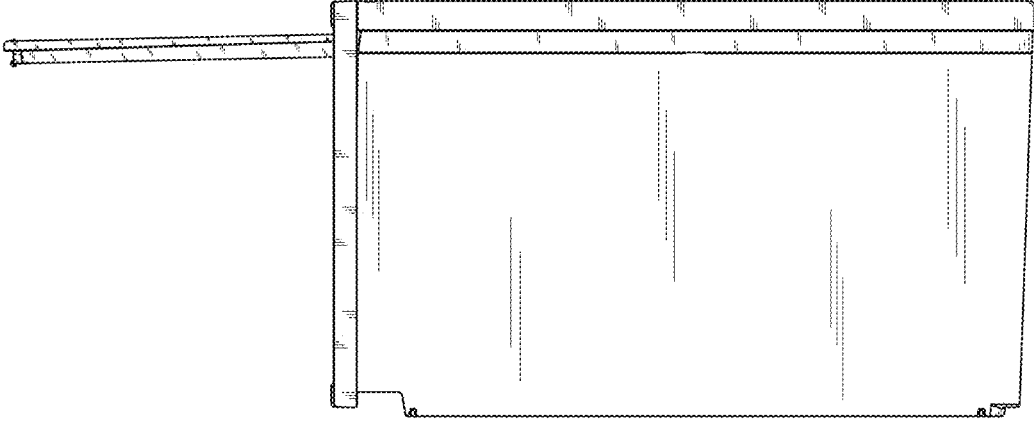




FIG. 7

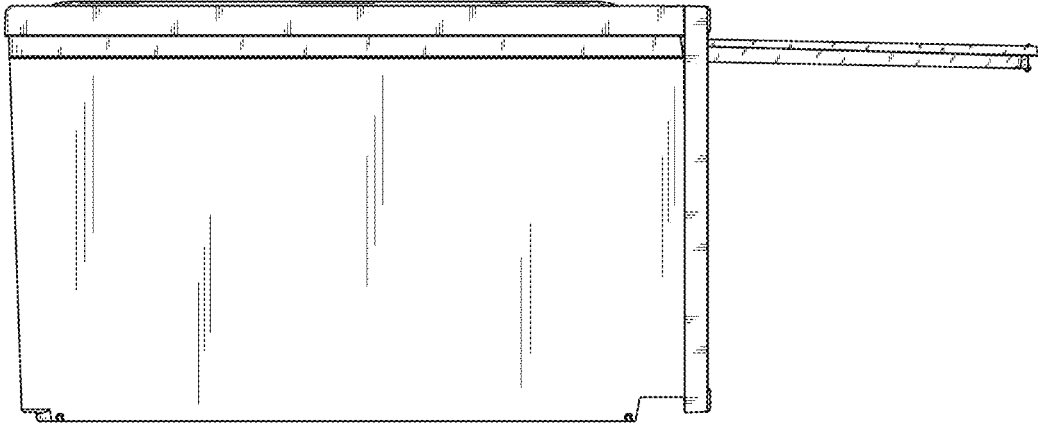


FIG.8

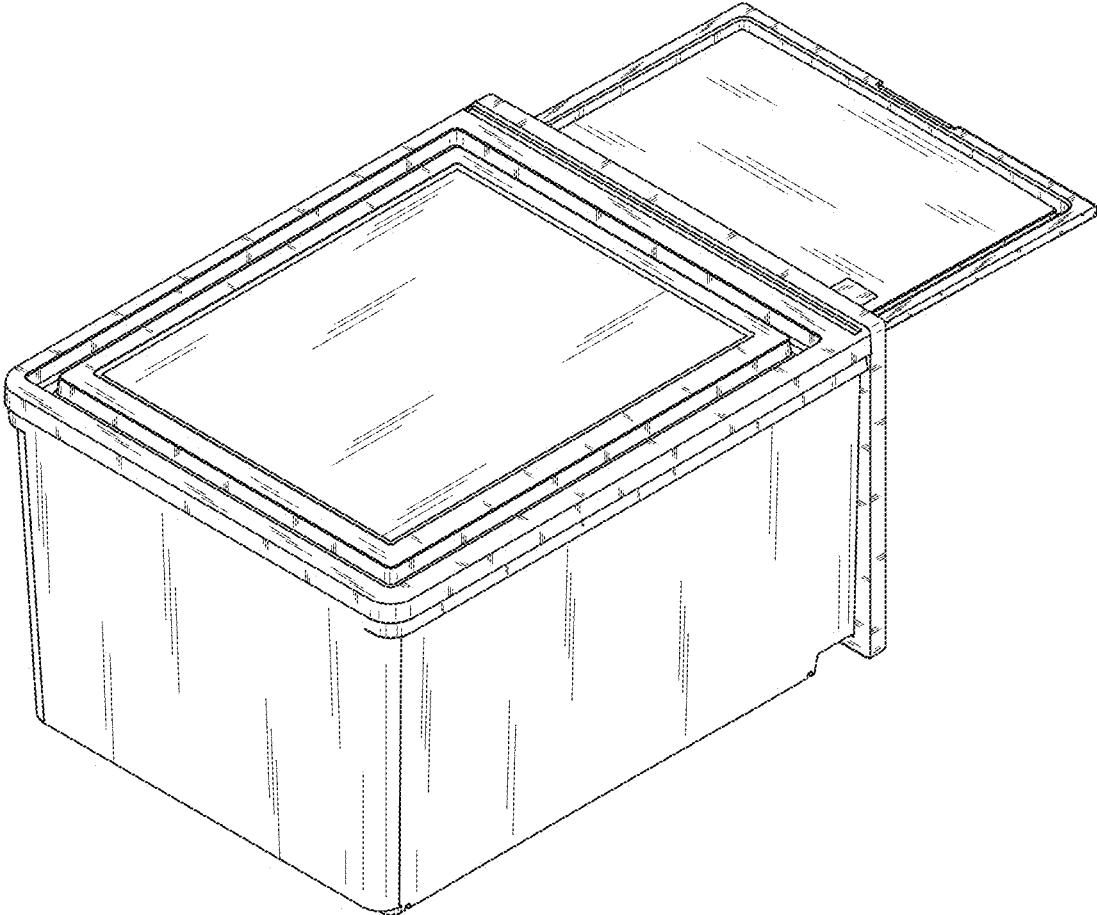


FIG.9

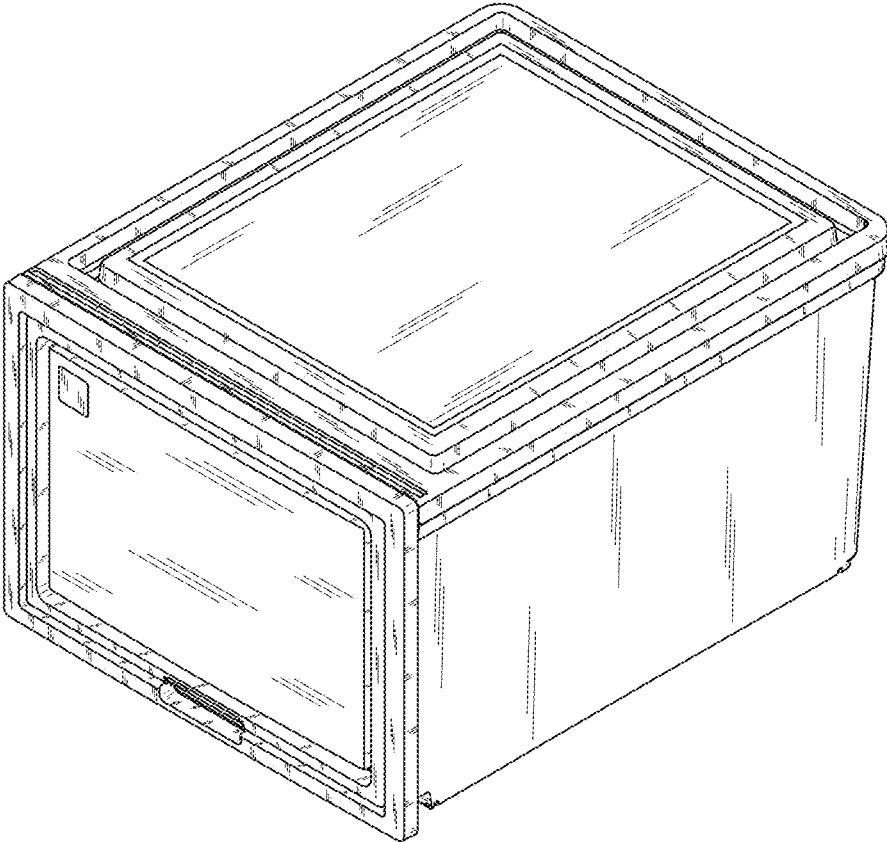


FIG.10

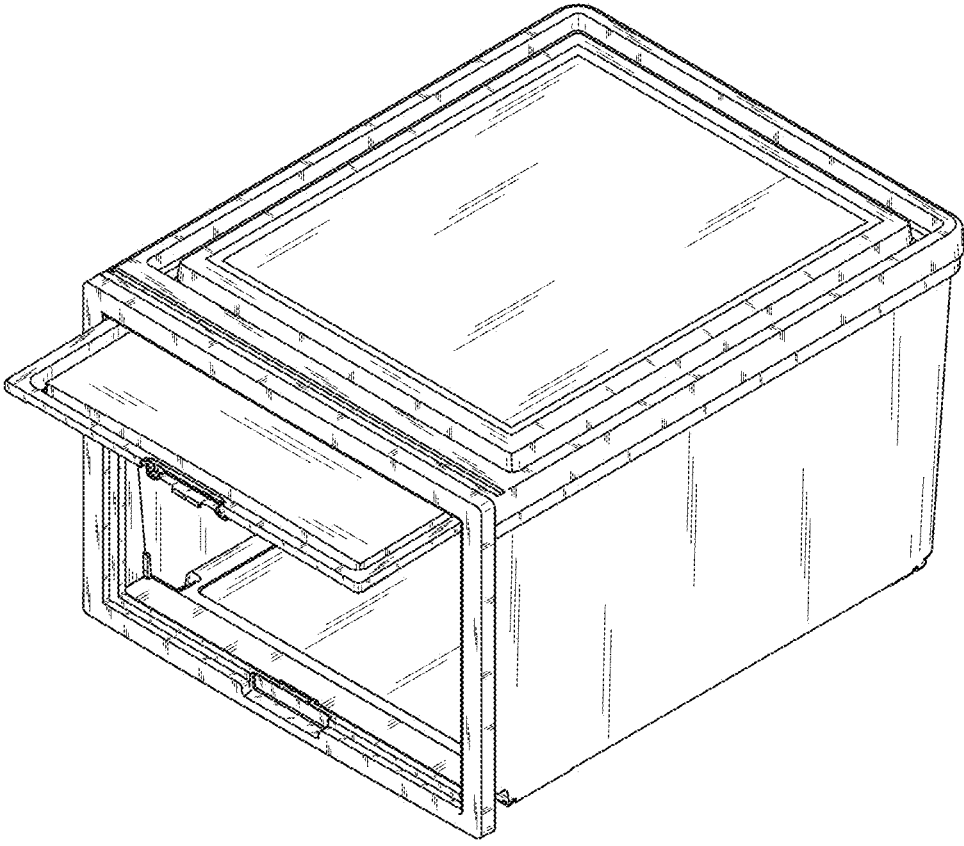


FIG. 11

