



(12) **United States Design Patent**  
**Lee et al.**

(10) **Patent No.:** **US D799,389 S**  
(45) **Date of Patent:** **\*\* Oct. 10, 2017**

(54) **AUTOMOBILE DASHBOARD DISPLAY**

FOREIGN PATENT DOCUMENTS

(71) Applicant: **Bentley Motors Limited**, Cheshire (GB)

EM 003008754-0006 \* 3/2016  
EM 003008754-0007 \* 3/2016

(72) Inventors: **Sang Yup Lee**, Chester (GB); **Luc Donckerwolke**, Cheshire (GB)

OTHER PUBLICATIONS

(73) Assignee: **Bentley Motors Limited**, Cheshire (GB)

NPL #1: F15 X6 6WB Digital Display Gauge Cluster Retrofit, posted at bimmerpost.com, posting Sep. 26, 2014, © 2000-2016 Jelsoft Enterprises Ltd., [online], [site visited Dec. 22, 2016]. Available from Internet, <URL:http://f15.bimmerpost.com/forums/showthread.php?t=1039855>.\*

(\*\*) Term: **15 Years**

*Primary Examiner* — Lakiya Rogers  
*Assistant Examiner* — Altaira Swangin  
(74) *Attorney, Agent, or Firm* — Tarolli, Sundheim, Covell & Tummino LLP; John A. Yirga, Esq.

(21) Appl. No.: **29/556,539**

(22) Filed: **Mar. 1, 2016**

(51) **LOC (10) Cl.** ..... **12-16**

(52) **U.S. Cl.**  
USPC ..... **D12/192**

(58) **Field of Classification Search**  
USPC ..... D21/477; D10/102; D12/192; 296/97.1, 296/37.18; 362/492; 702/165  
CPC ..... B60R 21/045; B60K 35/00  
See application file for complete search history.

(57) **CLAIM**

The ornamental design for an automobile dashboard display, as shown and described.

**DESCRIPTION**

FIG. 1 is a front perspective view of an automobile dashboard display in accordance with the present disclosure; FIG. 2 is a rear perspective view thereof; FIG. 3 is a front elevation view thereof; FIG. 4 is a top plan view thereof; FIG. 4A is a magnified view of an encircled portion of a view in FIG. 4 identified by reference character 4A; FIG. 4B is a magnified view of an encircled portion of a view in FIG. 4 identified by reference character 4B; FIG. 5 is a left side elevation view thereof; FIG. 6 is a right side elevation view thereof; FIG. 6A is a magnified view of an encircled portion of a view in FIG. 6 identified by reference character 6A; and, FIG. 7 is a rear elevation view thereof. Those portions of the Figures shown in broken lines are included for environmental purposes only and form no part of the claimed design.

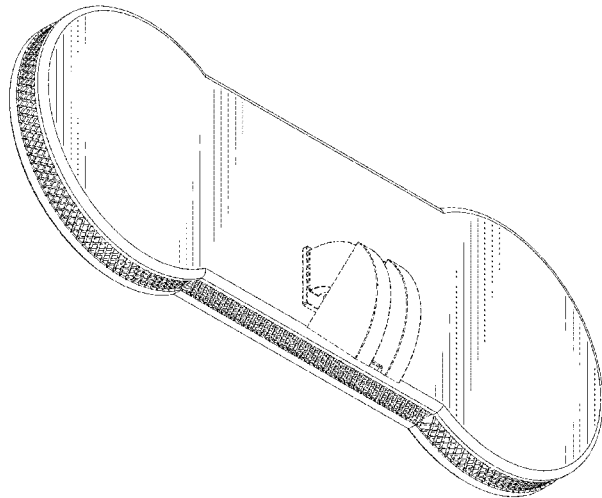
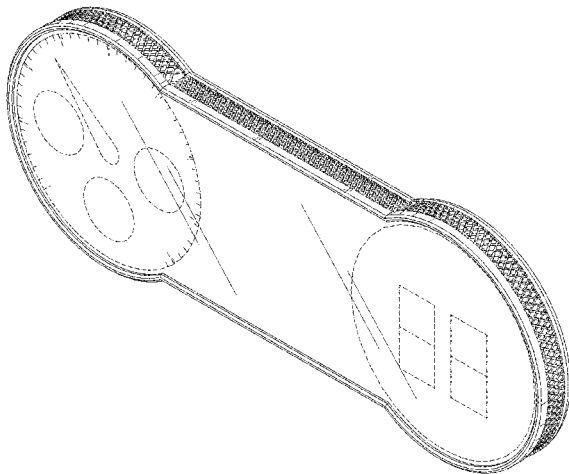
(56) **References Cited**

U.S. PATENT DOCUMENTS

D152,997 S *	3/1949	Macauley	.....	D12/192
D195,783 S *	7/1963	Woods, Jr.	.....	D10/102
D261,752 S *	11/1981	Iwakura	.....	D10/102
5,824,949 A *	10/1998	Schach	.....	B60K 35/00 174/378
D467,845 S *	12/2002	Pfeiffer	.....	D12/192
D474,294 S *	5/2003	Smith	.....	D26/37
D513,485 S *	1/2006	Pfeiffer	.....	D12/192
D514,041 S *	1/2006	Pfeiffer	.....	D12/192
D516,482 S *	3/2006	Pfeiffer	.....	D12/192
D529,847 S *	10/2006	Montijo	.....	D12/192
D542,721 S *	5/2007	Kraus	.....	D12/192
D546,744 S *	7/2007	Fukumoto	.....	D12/192
D553,619 S *	10/2007	Mak	.....	D14/401

(Continued)

**1 Claim, 7 Drawing Sheets**



(56)

**References Cited**

## U.S. PATENT DOCUMENTS

D554,015 S \* 10/2007 Shimizugami ..... D10/102  
D575,647 S \* 8/2008 Lobermeier ..... D10/102  
D607,945 S \* 1/2010 Guinchard ..... D21/324  
D635,073 S \* 3/2011 Nield ..... D12/192  
8,878,662 B2 \* 11/2014 Fuke ..... B60K 35/00  
340/438  
8,933,799 B2 \* 1/2015 Katoh ..... B60K 35/00  
340/425.5  
8,939,869 B2 \* 1/2015 Fuke ..... F02D 29/02  
340/439  
D727,814 S \* 4/2015 Paulke ..... D12/192  
9,031,770 B2 \* 5/2015 Yamasaki ..... B60W 50/14  
340/439  
9,302,585 B2 \* 4/2016 Funada ..... B60K 35/00  
D763,359 S \* 8/2016 Kwong ..... D14/401  
D777,631 S \* 1/2017 Webb ..... D12/192  
D779,405 S \* 2/2017 Arceo ..... D12/192  
D780,079 S \* 2/2017 Webb ..... D12/192  
D786,759 S \* 5/2017 Webb ..... D12/192  
2015/0149040 A1 \* 5/2015 Hueger ..... B62D 13/06  
701/41  
2015/0343902 A1 \* 12/2015 Horton ..... B60K 37/04  
296/70  
2016/0052392 A1 \* 2/2016 Terashima ..... B60K 35/00  
359/601  
2016/0252373 A1 \* 9/2016 Fujita ..... G01D 13/04  
2017/0096097 A1 \* 4/2017 Koch ..... B60Q 3/044  
2017/0106628 A1 \* 4/2017 Hattori ..... B32B 15/08  
2017/0106810 A1 \* 4/2017 Hattori ..... B60K 35/00  
2017/0129337 A1 \* 5/2017 Sano ..... B29C 33/42  
2017/0151874 A1 \* 6/2017 Tollis ..... B60K 35/00

\* cited by examiner

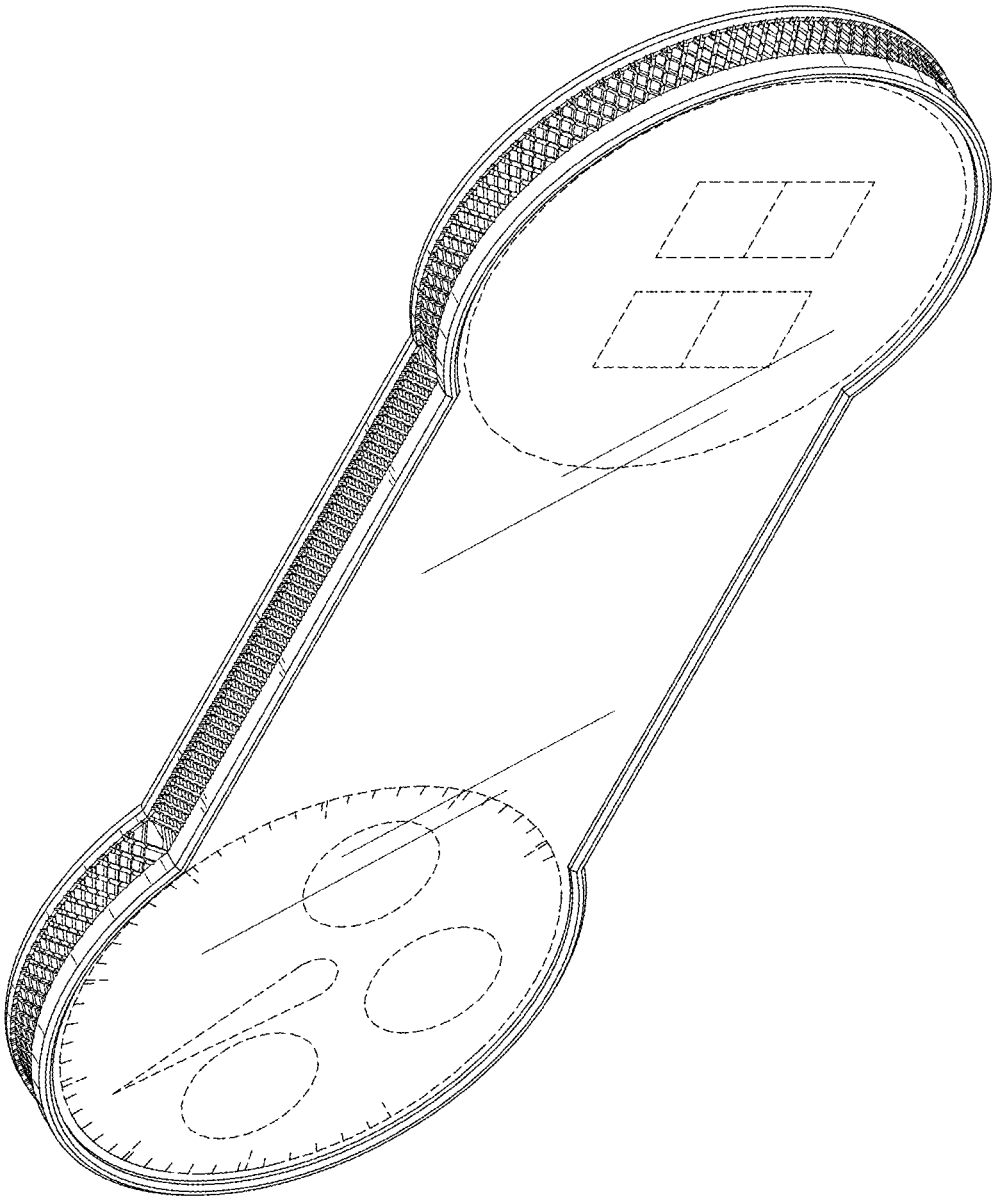


FIG. 1

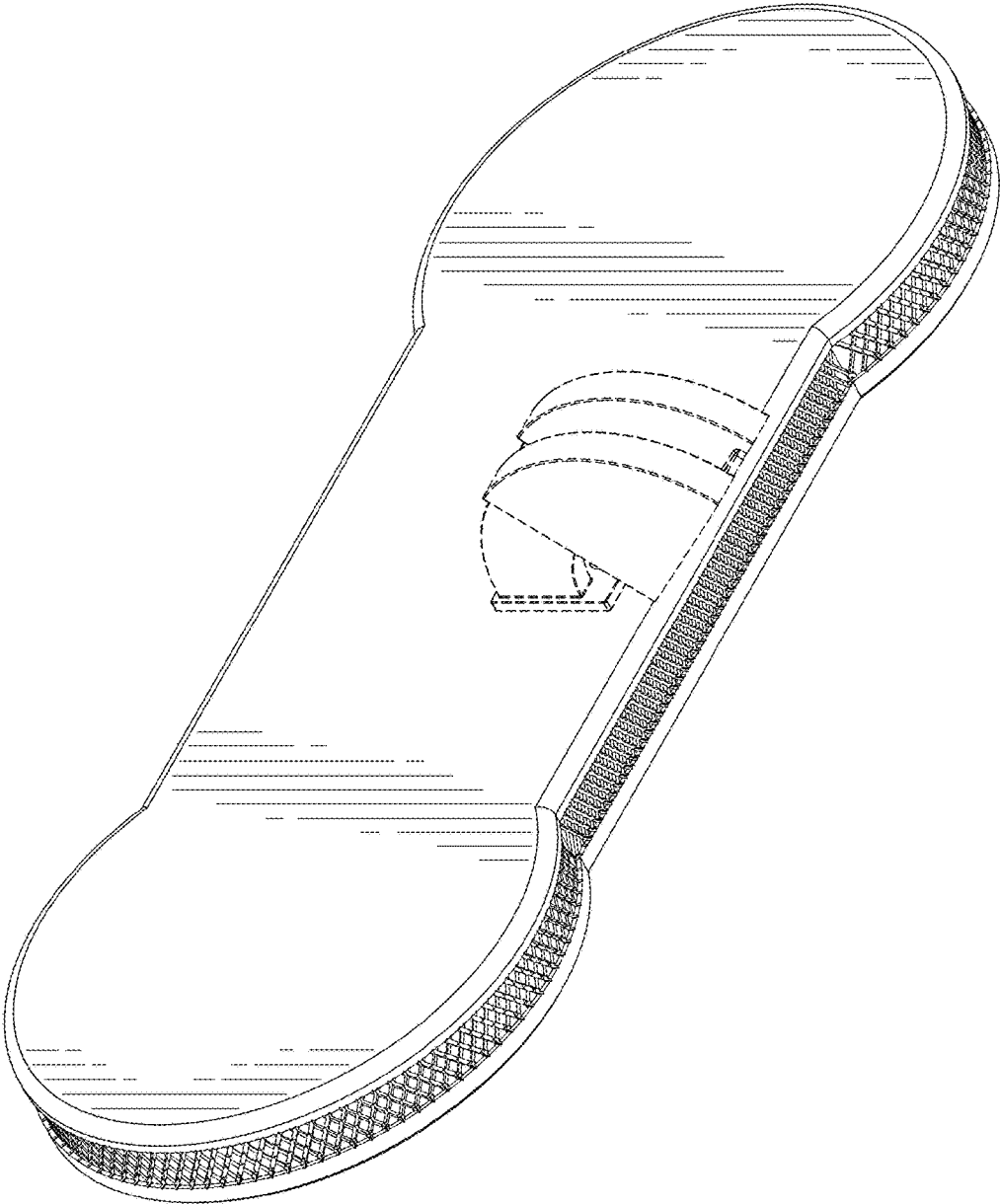


FIG. 2

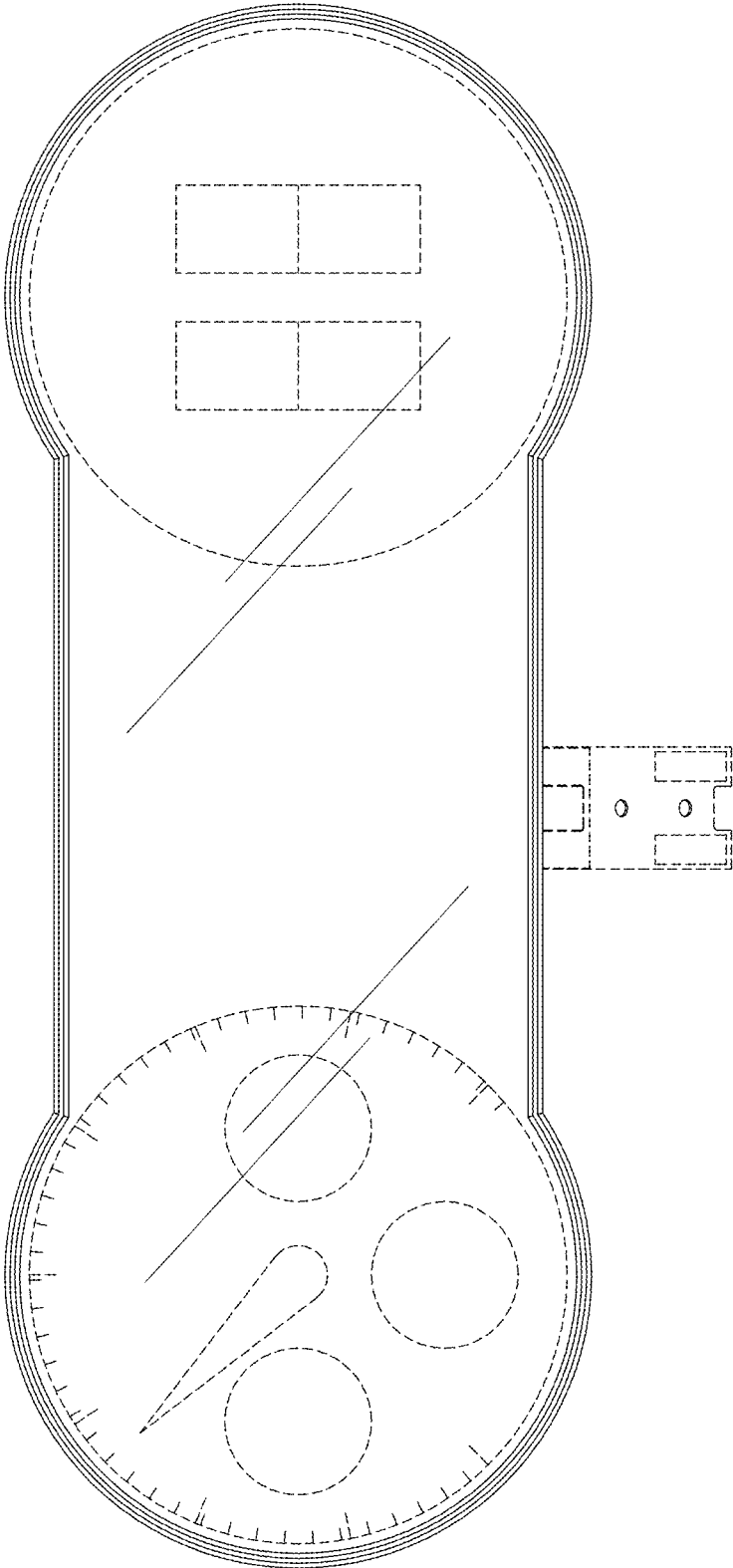


FIG. 3

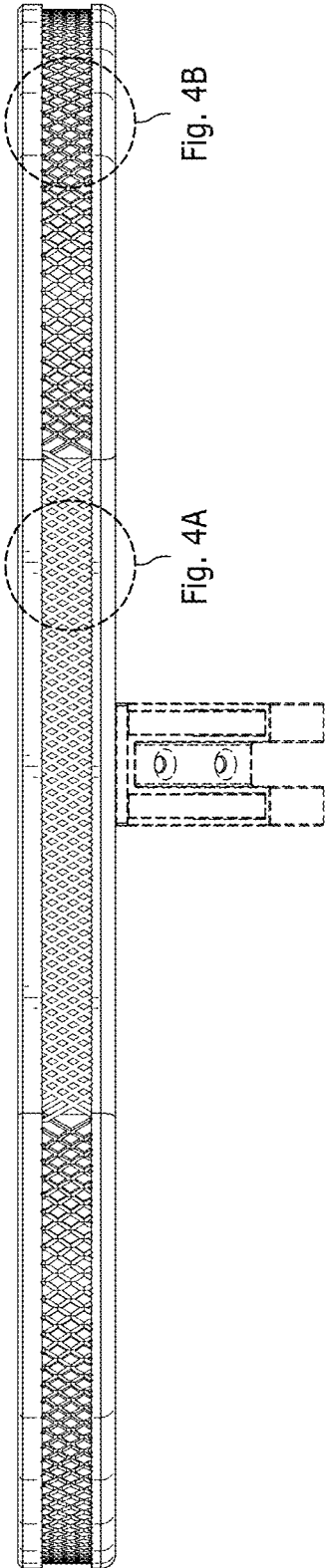


FIG. 4

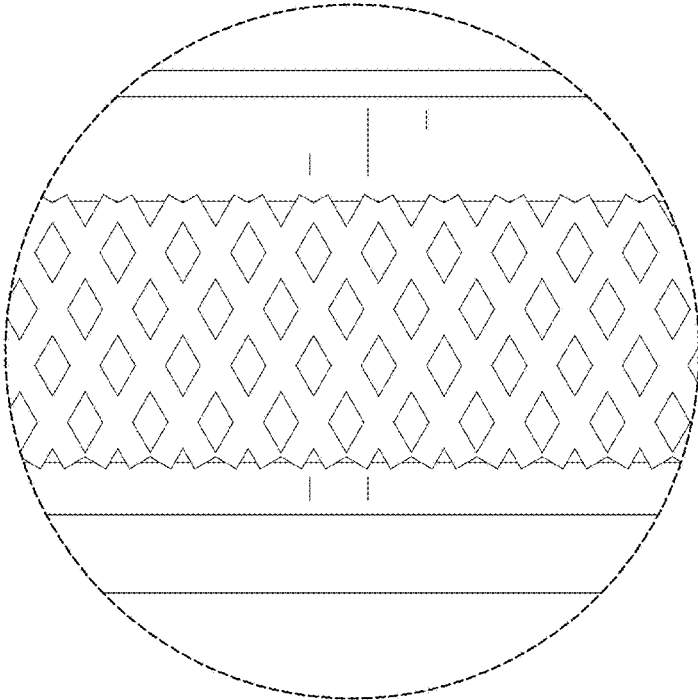


FIG. 4A

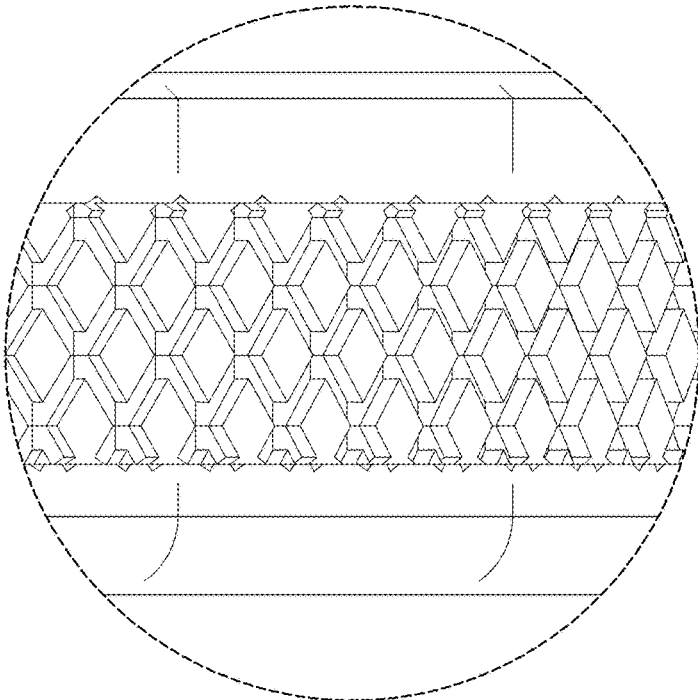


FIG. 4B

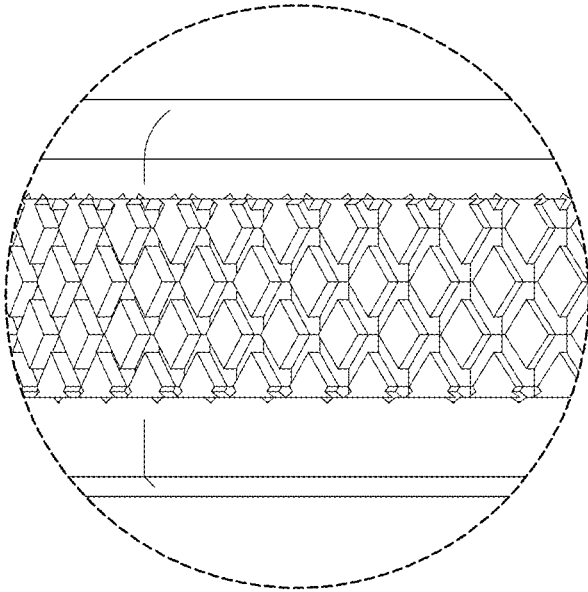


FIG. 6A

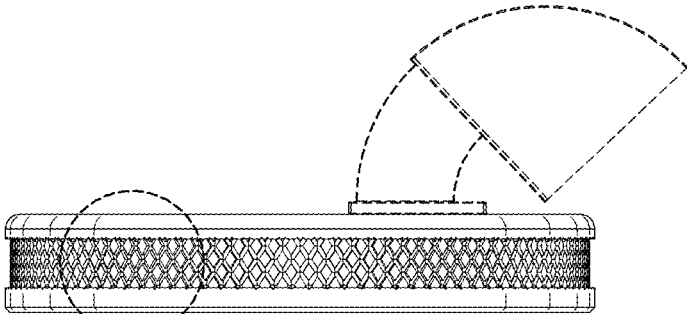


FIG. 6A

FIG. 6

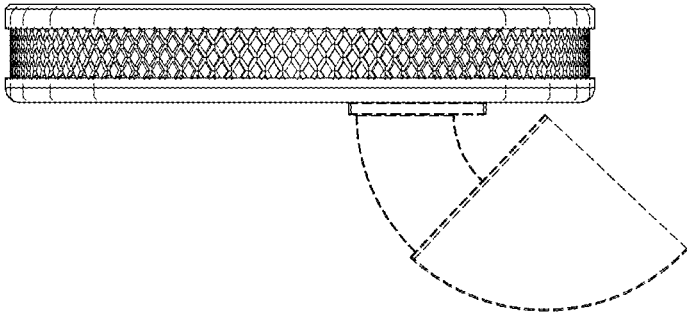


FIG. 5



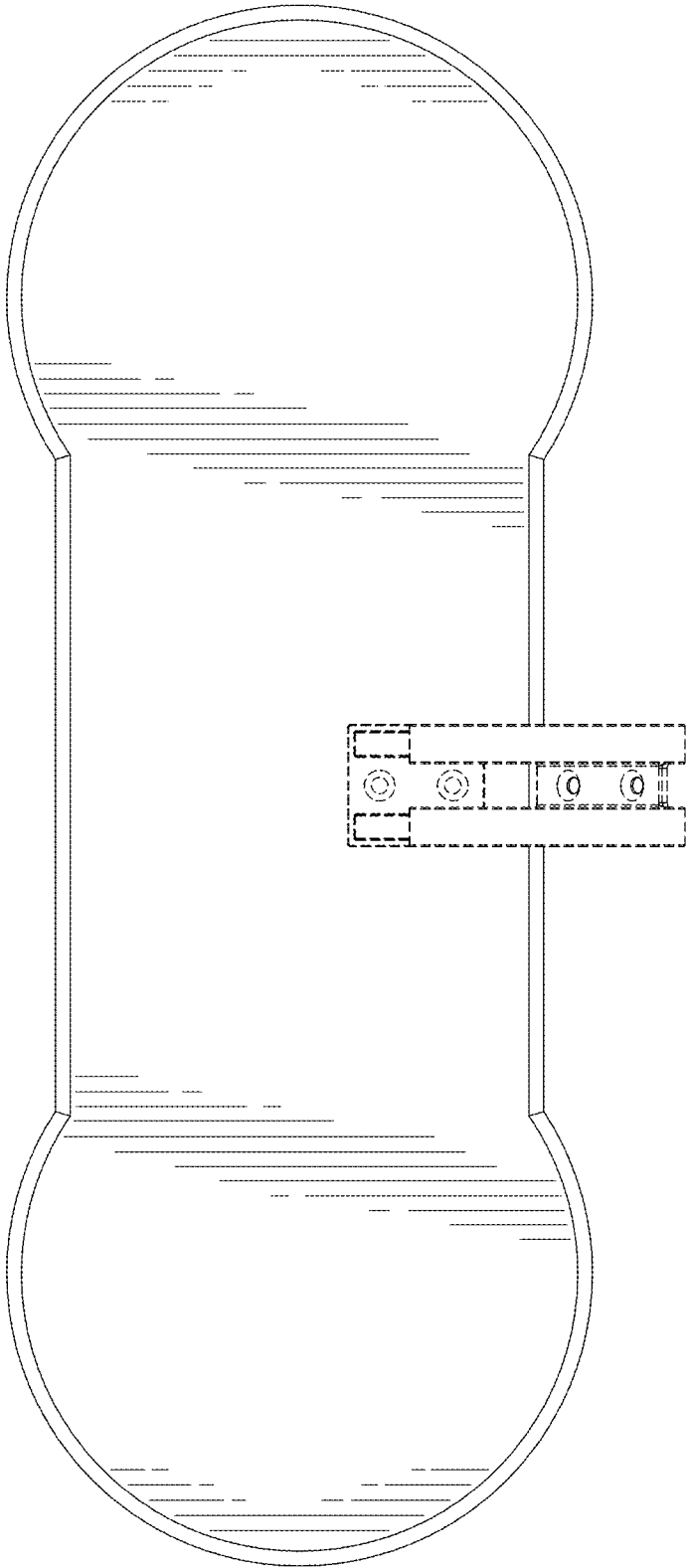


FIG. 7