



US00D392294S

United States Patent [19]

[11] Patent Number: **Des. 392,294**

Kato et al.

[45] Date of Patent: ****Mar. 17, 1998**

[54] **SEWING MACHINE**

D. 338,021	8/1993	Uchida	D15/69
D. 372,720	8/1996	Hattori et al.	D15/69
D. 377,357	1/1997	Tseng	D15/69

[75] Inventors: **Shigemasa Kato; Sanae Takada**, both of Chofu, Japan

Primary Examiner—Sandra L. Morris
Attorney, Agent, or Firm—Morgan & Finnegan LLP

[73] Assignee: **Juki Corporation**, Chofu, Japan

[**] Term: **14 Years**

[57] CLAIM

[21] Appl. No.: **62,050**

The ornamental design for a sewing machine, as shown and described.

[22] Filed: **Nov. 6, 1996**

DESCRIPTION

[30] Foreign Application Priority Data

May 7, 1996 [JP] Japan 8-13098

FIG. 1 is a perspective view of a sewing machine showing or new design;

[51] LOC (6) Cl. **15-06**

FIG. 2 is a front view thereof;

[52] U.S. Cl. **D15/69**

FIG. 3 is a rear view thereof;

[58] Field of Search D15/66-70; 112/217.1-217.4,
112/258-261

FIG. 4 is a left side view thereof;

FIG. 5 is a right side view thereof;

FIG. 6 is a top view thereof; and,

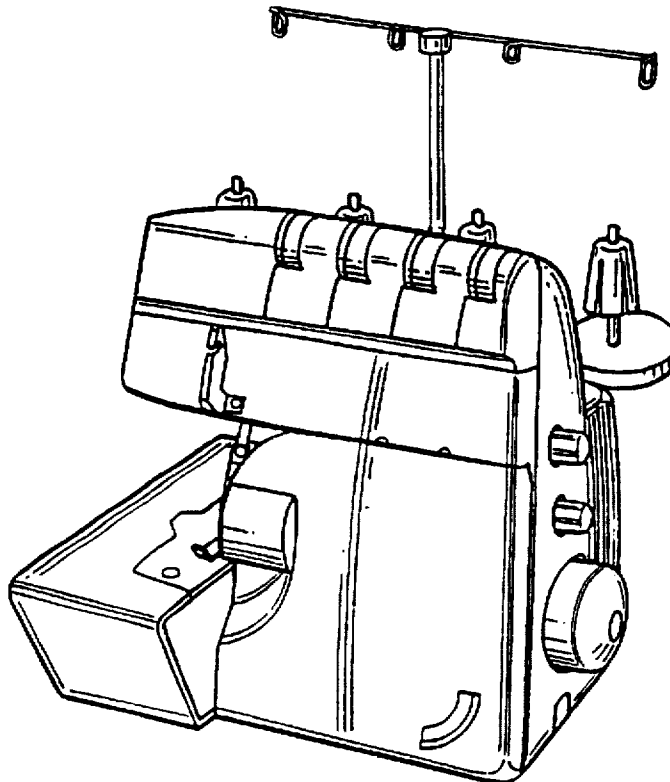
FIG. 7 is a bottom view thereof.

[56] References Cited

U.S. PATENT DOCUMENTS

D. 321,518 11/1991 Uchida D15/69

1 Claim, 3 Drawing Sheets



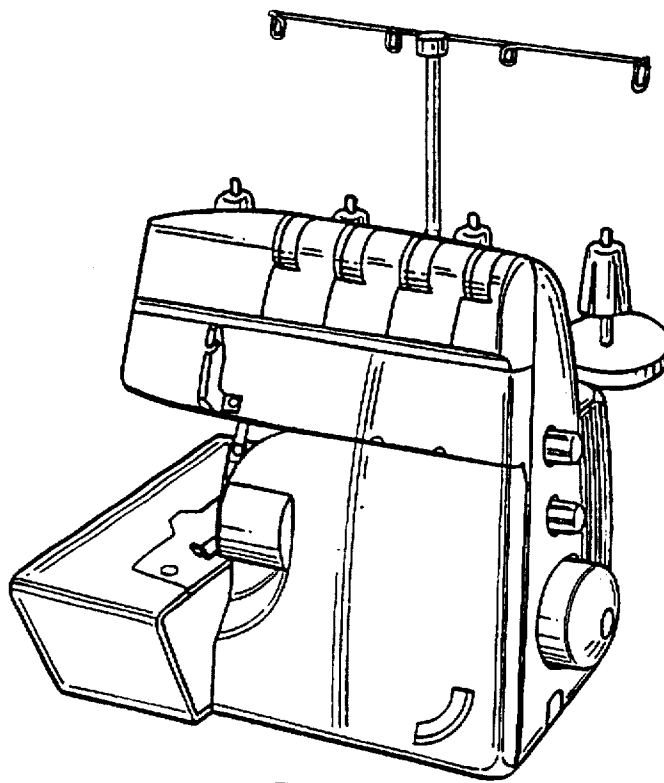


Fig. 1

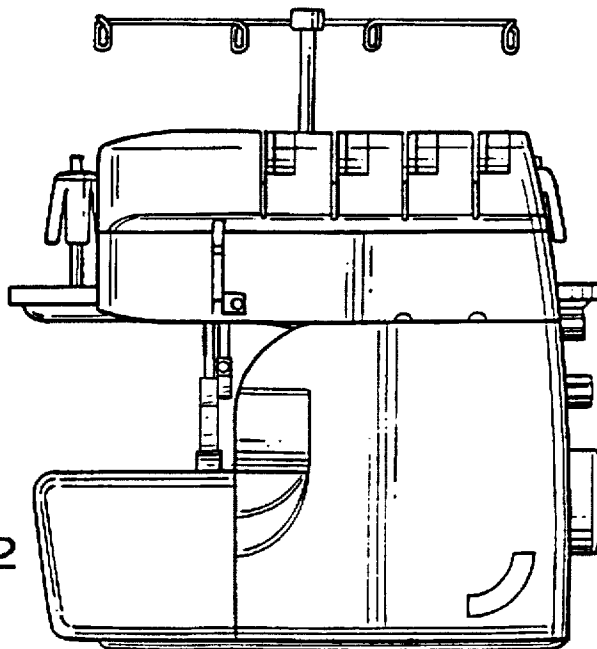


Fig. 2

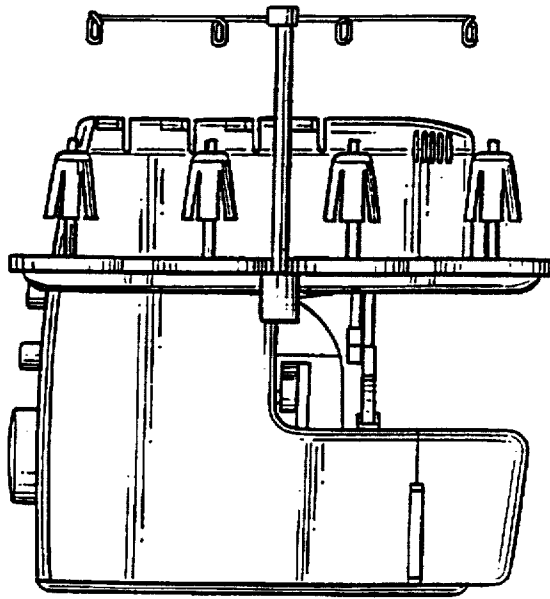


Fig.3

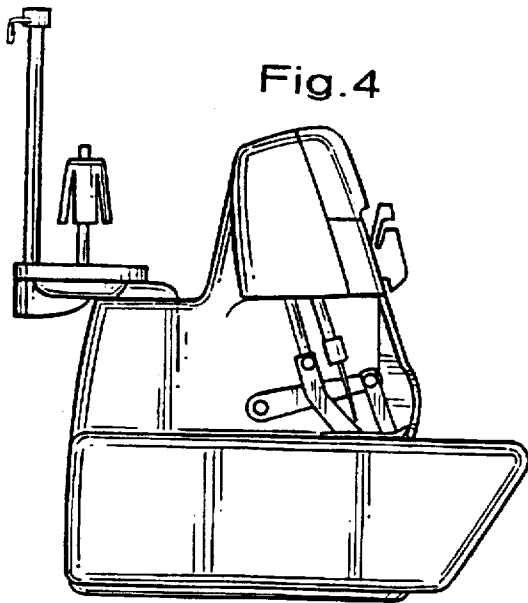


Fig.4

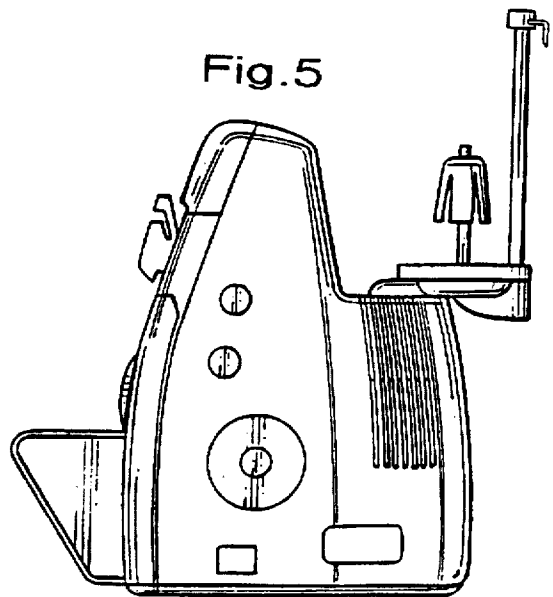


Fig.5

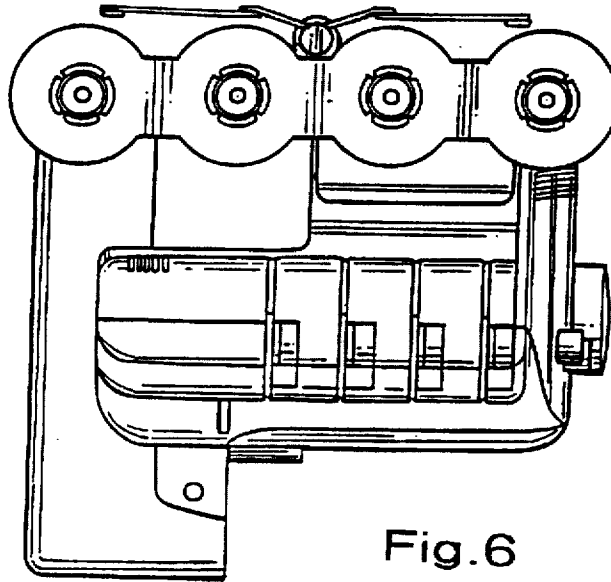


Fig. 6

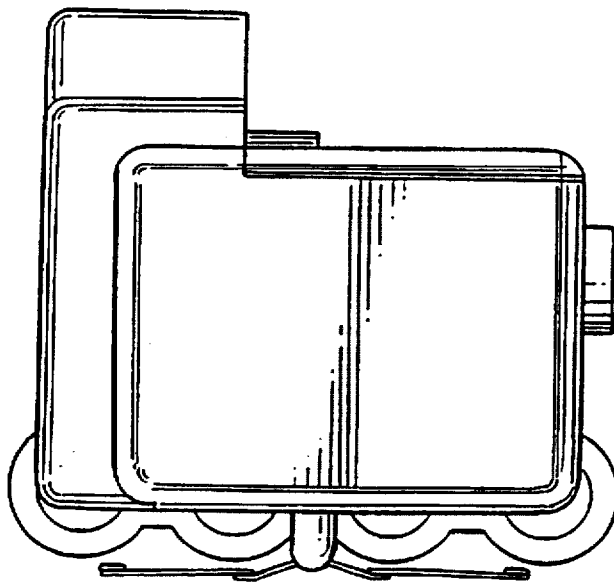


Fig. 7