



US0D1008177S

(12) **United States Design Patent**  
**Mori et al.**

(10) **Patent No.:** **US D1,008,177 S**

(45) **Date of Patent:** **\*\* Dec. 19, 2023**

- (54) **WIRELESS CHARGER STAND**
- (71) Applicant: **Belkin International, Inc.**, Playa Vista, CA (US)
- (72) Inventors: **Ken Mori**, Playa Vista, CA (US);  
**Mitchell Suckle**, Playa Vista, CA (US);  
**Oliver Seil**, Playa Vista, CA (US);  
**John Wadsworth**, Playa Vista, CA (US);  
**David Kleeman**, Playa Vista, CA (US)

- D955,331 S \* 6/2022 Wang ..... D13/108
- D957,329 S \* 7/2022 Turksu ..... D13/108
- D960,094 S \* 8/2022 Jiang ..... D13/108
- D960,095 S \* 8/2022 Chen ..... D13/108
- D962,860 S \* 9/2022 Wang ..... D13/108
- D962,861 S \* 9/2022 Wang ..... D13/108
- D964,274 S \* 9/2022 Liao ..... D13/108
- D965,519 S \* 10/2022 Wang ..... D14/224
- D967,020 S \* 10/2022 Wu ..... D13/108
- D967,764 S \* 10/2022 Jiang ..... D13/103

(Continued)

- (73) Assignee: **BELKIN INTERNATIONAL, INC.**, Playa Vista, CA (US)

“Belkin Boost Charge Pro 2-in-1 Wireless Charger Stand with MagSafe”, published on arigato-ipod.com, dated Apr. 10, 2021. Retrieved from the internet: <<https://arigato-ipod.com/2021/04/review-belkin-boost-up-charge-pro-2-in-1-wireless-charger-stand-with-magsafe.html>>. (Year: 2021).\*

(Continued)

- (\*\*) Term: **15 Years**

- (21) Appl. No.: **29/804,962**

- (22) Filed: **Aug. 24, 2021**

- (51) **LOC (14) Cl.** ..... **13-02**

- (52) **U.S. Cl.** ..... **D13/108**

- (58) **Field of Classification Search**  
USPC ..... D13/107–108, 110, 118–119, 184, 199;  
D14/251, 253, 432, 434, 447  
CPC .. H02J 7/025; H02J 7/005; H02J 50/00; H02J  
50/10; H02J 50/12; H02J 50/80; H02J  
7/00

See application file for complete search history.

- (56) **References Cited**

**U.S. PATENT DOCUMENTS**

- D638,789 S \* 5/2011 Markowitz ..... D13/108
- D851,587 S \* 6/2019 Schmidt ..... D13/108
- D884,622 S \* 5/2020 Huang ..... D13/108
- D904,978 S \* 12/2020 Liao ..... D13/108
- D928,701 S \* 8/2021 Liao ..... D13/108
- D928,703 S \* 8/2021 Liao ..... D13/108
- D942,389 S \* 2/2022 Sun ..... D14/447
- D951,864 S \* 5/2022 Chen ..... D13/108

**OTHER PUBLICATIONS**

*Primary Examiner* — Rosemary K Tarcza  
(74) *Attorney, Agent, or Firm* — K&L Gates LLP

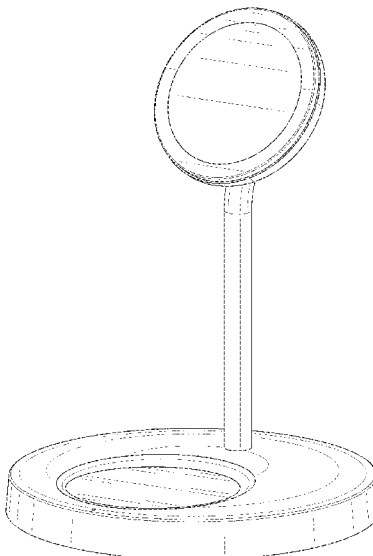
(57) **CLAIM**

The ornamental design for a wireless charger stand, as shown and described herein.

**DESCRIPTION**

FIG. 1 is a perspective view of a wireless charger stand showing the new design;  
FIG. 2 is a front view thereof;  
FIG. 3 is a rear view thereof;  
FIG. 4 is a left-side view thereof;  
FIG. 5 is a right-side view thereof;  
FIG. 6 is a top view thereof; and,  
FIG. 7 is a bottom view thereof.  
The broken lines in the drawings are for the purpose of illustrating portions of the wireless charger stand that form no part of the claimed design.

**1 Claim, 7 Drawing Sheets**



(56)

**References Cited**

U.S. PATENT DOCUMENTS

D967,766 S \* 10/2022 Wang ..... D13/108  
D971,139 S \* 11/2022 Lin ..... D13/108

OTHER PUBLICATIONS

Office Action for related Japanese Application No. 2022-003558;  
action dated Jun. 28, 2022; (3 pages).

Office Action for related Japanese Application No. 2022-003560  
action dated Jun. 28, 2022; (3 pages).

Office Action for related Korean Application No. 30-2022-0007442;  
action dated Oct. 20, 2022; (3 pages).

Belkin; "Review: Belkin's MagSafe 2-in-1 Is The Best Charging  
Solution for iPhone 12 & AirPods!—YouTube"; <https://www.youtube.com/watch?v=qH6PB-6ltTA>; Mar. 2, 2021.

\* cited by examiner

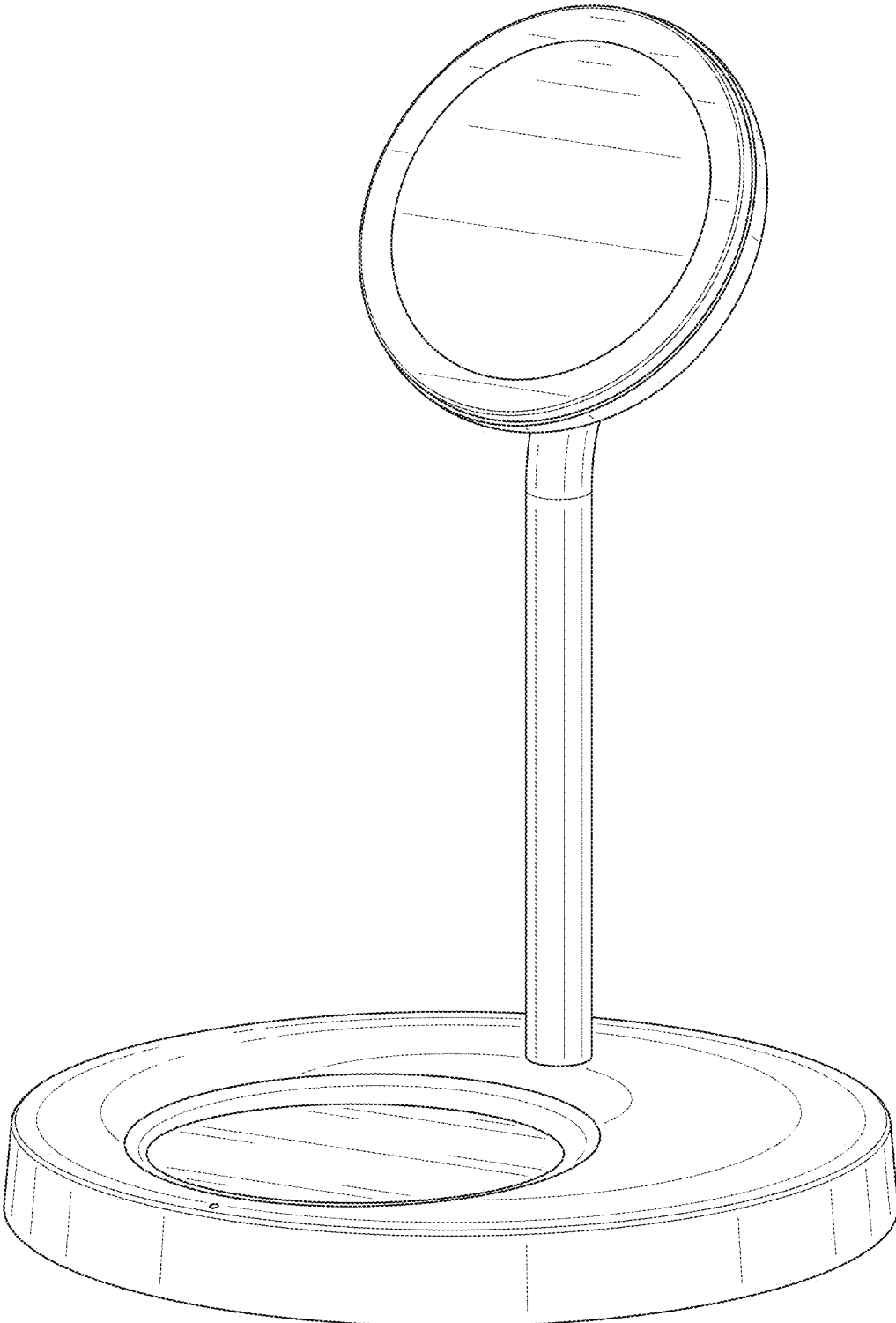


FIG. 1

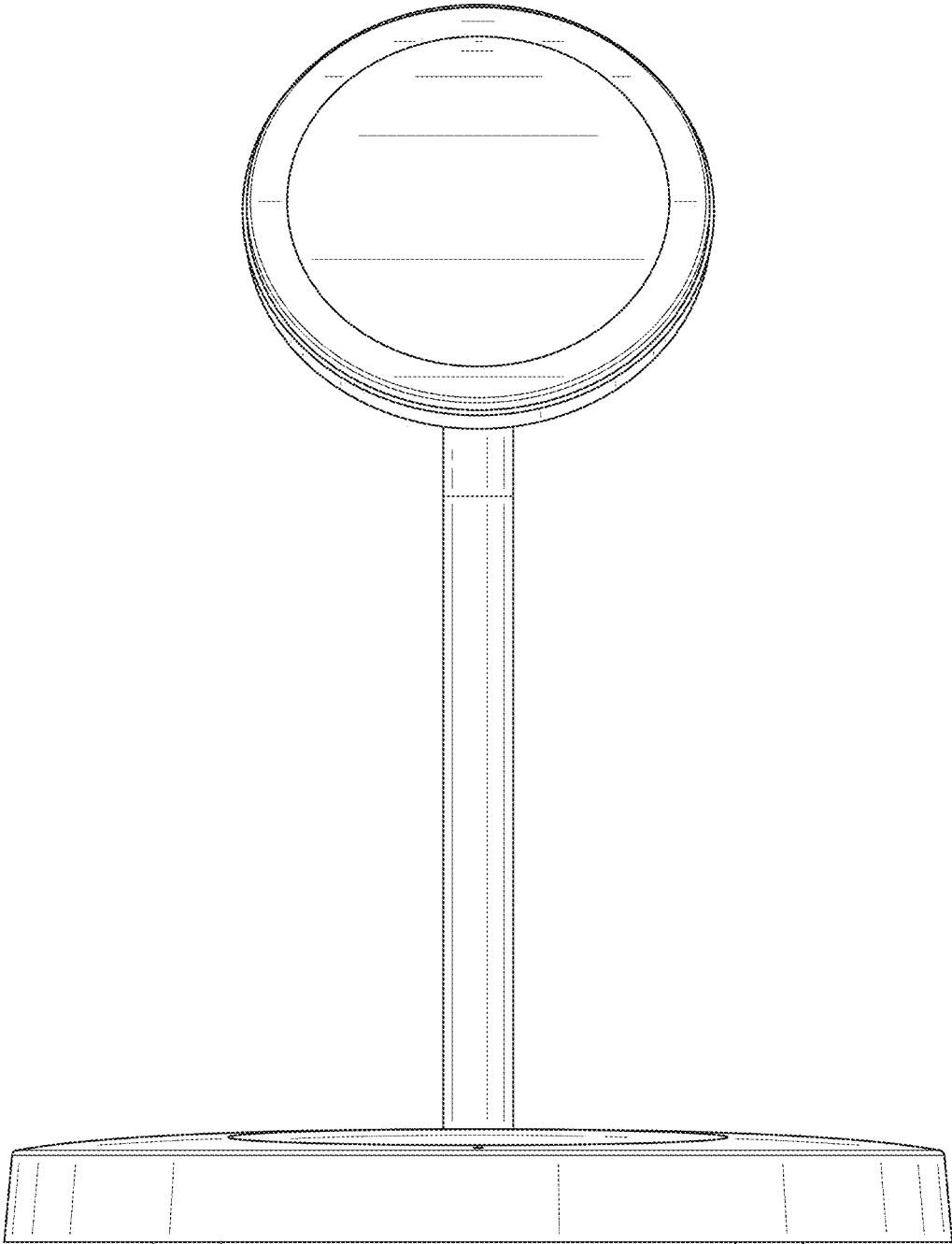


FIG. 2

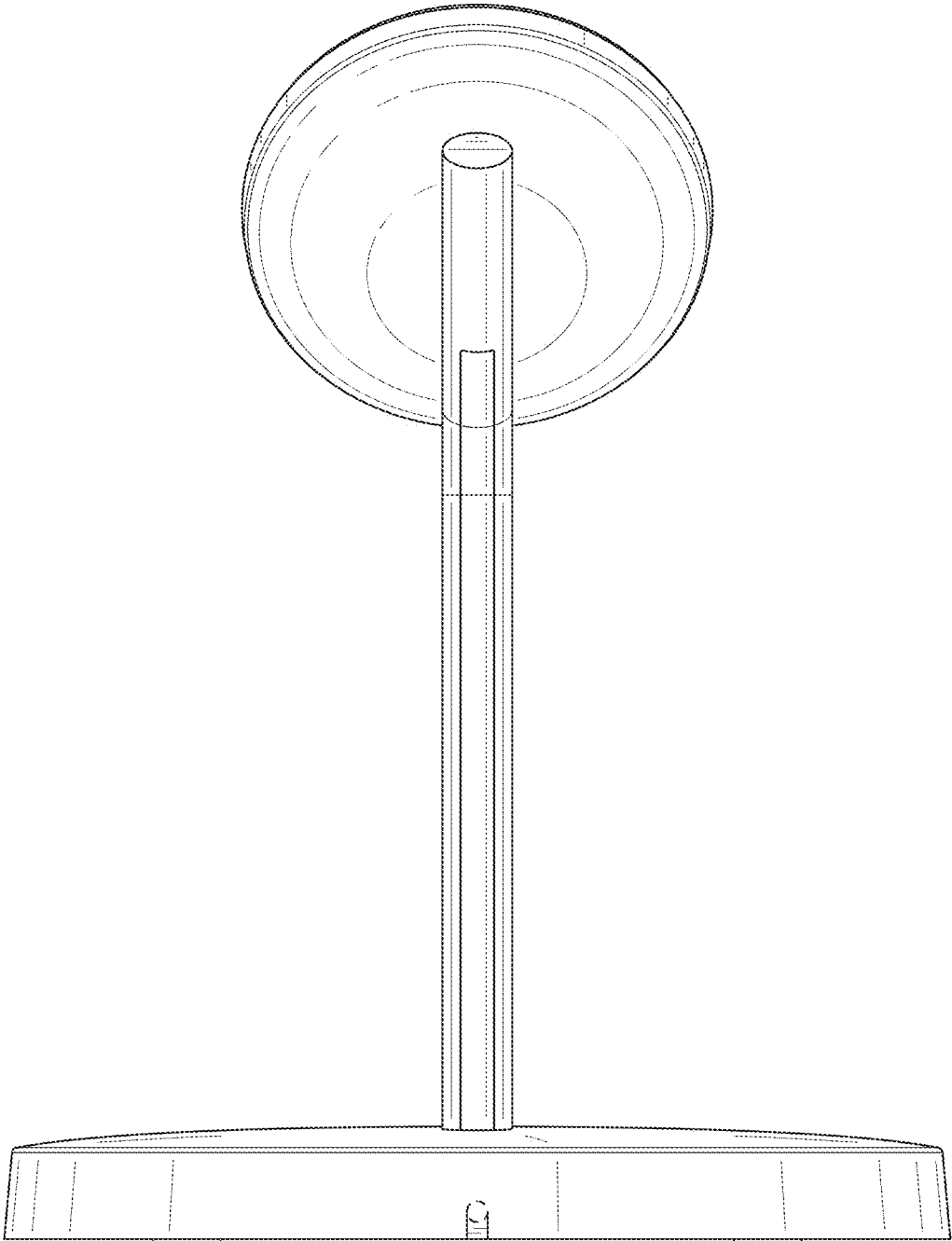


FIG. 3

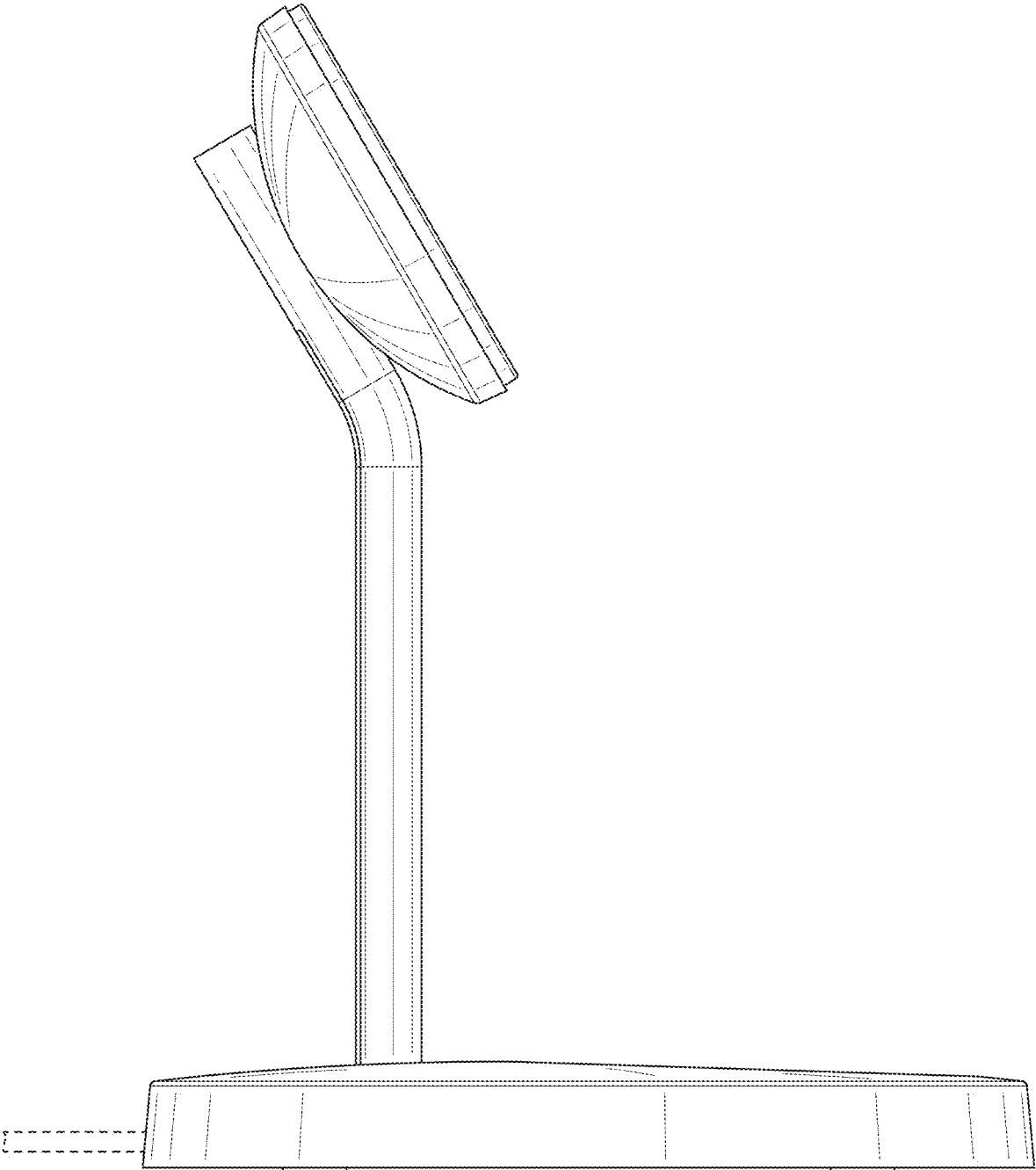


FIG. 4

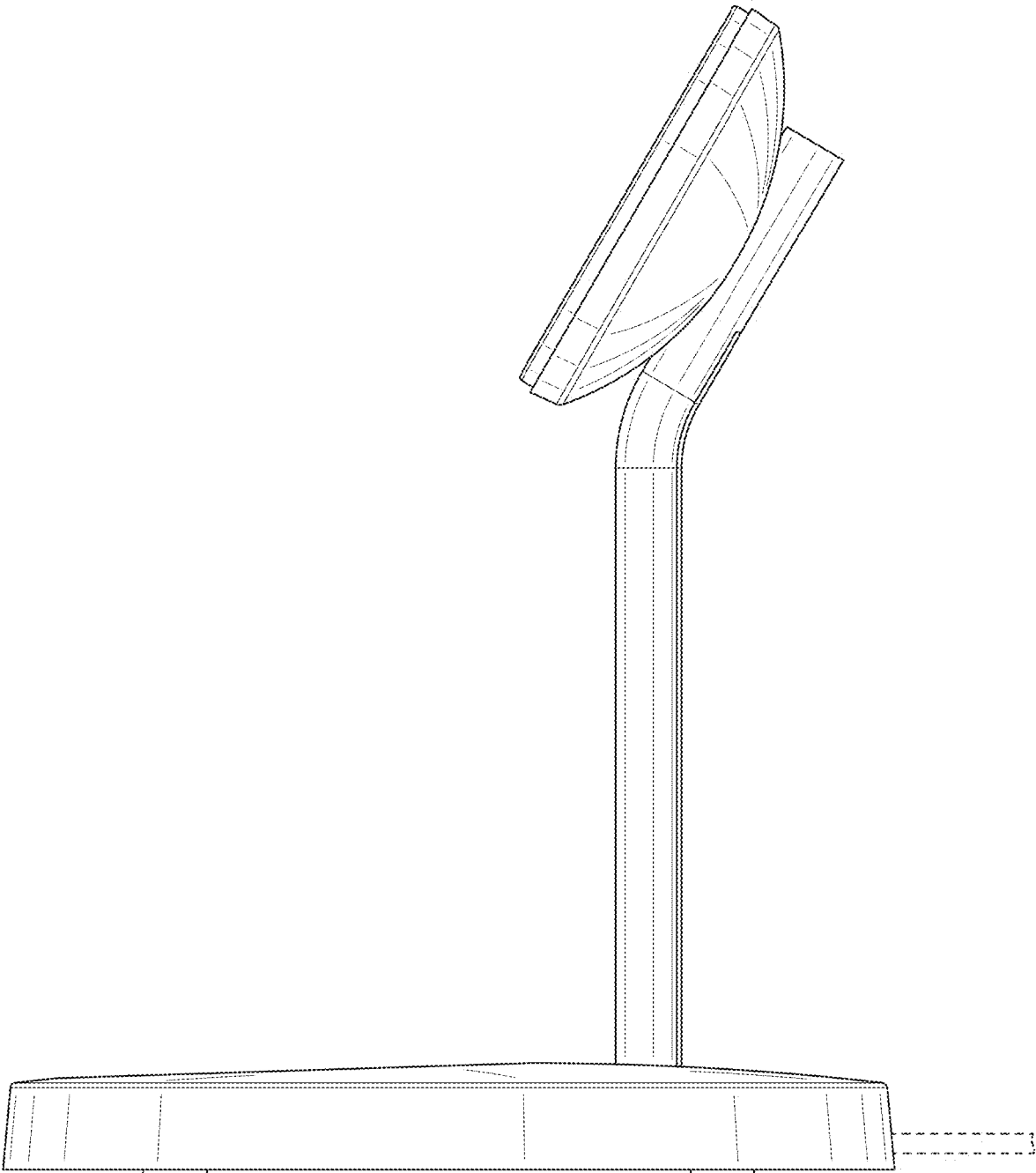


FIG. 5

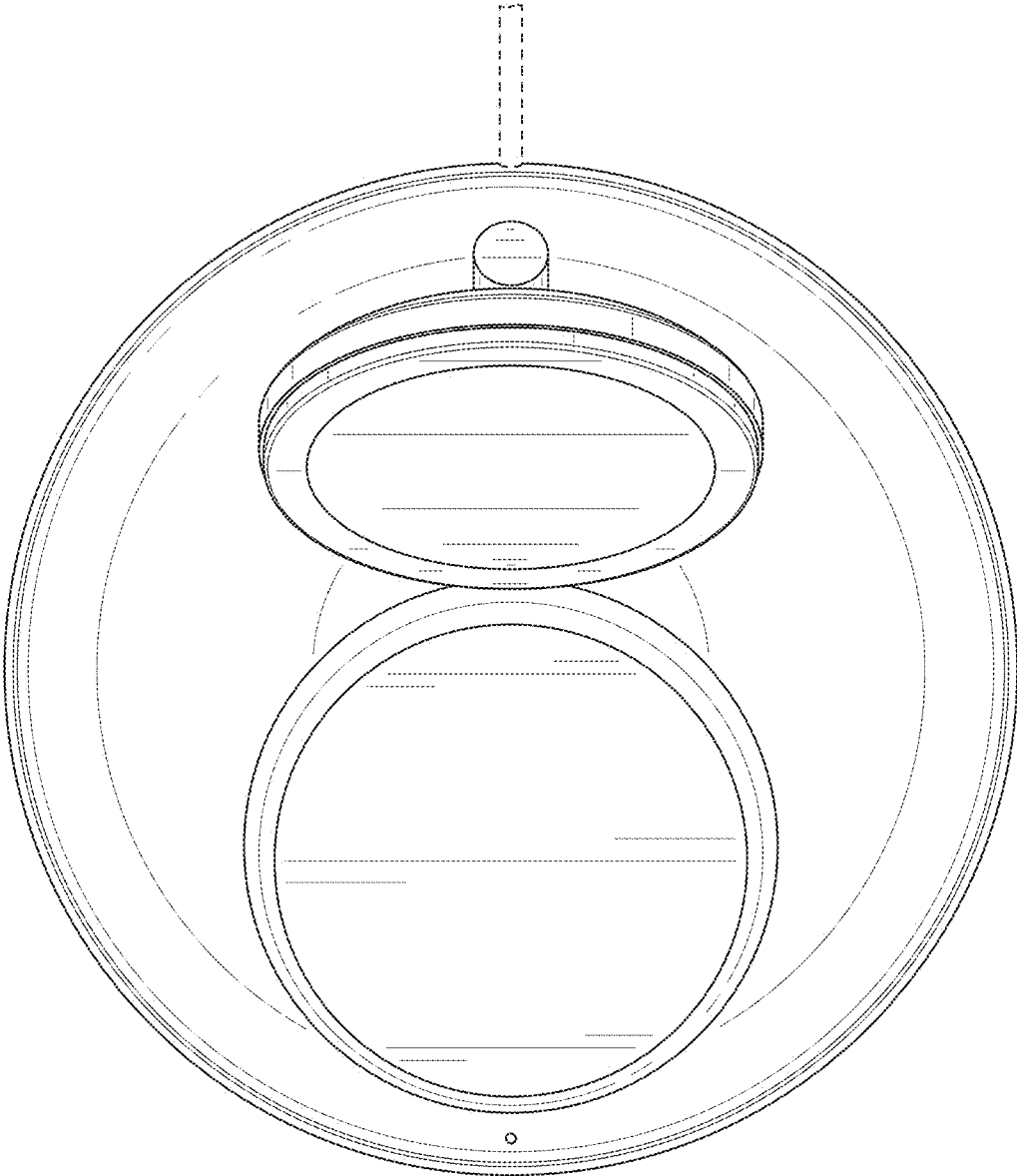


FIG. 6



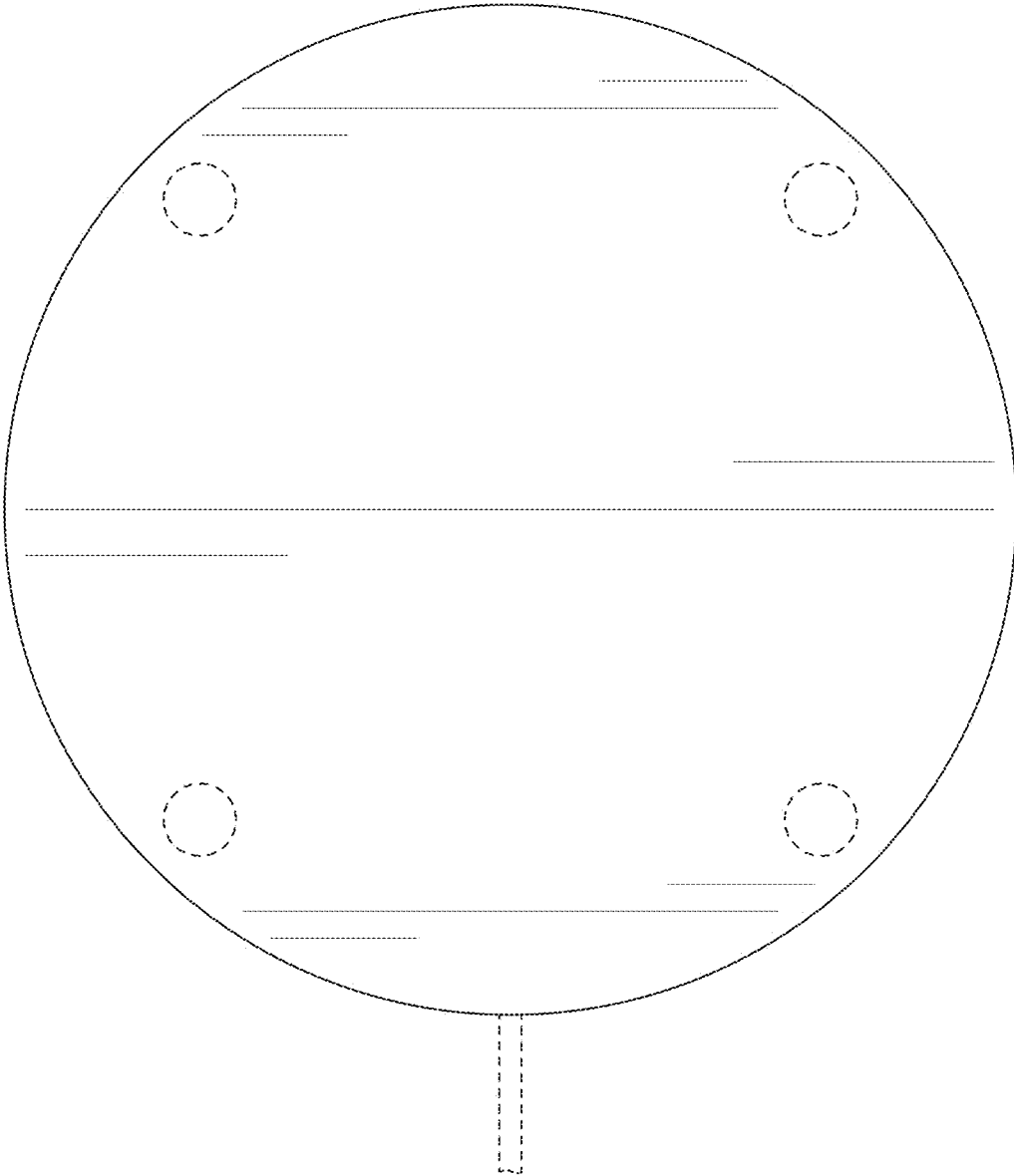


FIG. 7