



US00RE45162E

(19) **United States**
(12) **Reissued Patent**
Hierzer

(10) **Patent Number:** **US RE45,162 E**
(45) **Date of Reissued Patent:** **Sep. 30, 2014**

(54) **LIGHT**
(71) Applicant: **XAL GmbH**, Graz (AT)
(72) Inventor: **Andreas Hierzer**, Graz (AT)
(73) Assignee: **XAL GmbH**, Graz (AT)
(21) Appl. No.: **29/439,750**
(22) Filed: **Dec. 14, 2012**

D248,184 S 6/1978 Roberts
D394,518 S 5/1998 Burrow
D408,576 S 4/1999 Crosby
6,283,616 B1 9/2001 Zoroufy
D545,465 S 6/2007 Bachynsky et al.
D548,872 S 8/2007 Dubbeldam et al.
D567,426 S 4/2008 Chiu
7,740,367 B2 6/2010 Koren
D628,733 S 12/2010 Cobb et al.
D629,146 S * 12/2010 van den Akker D26/89
D633,638 S 3/2011 Vincent
D635,711 S 4/2011 Scutella'
D640,821 S * 6/2011 Kocks D26/89

Related U.S. Patent Documents

Reissue of:
(64) Patent No.: **Des. 669,208**
Issued: **Oct. 16, 2012**
Appl. No.: **29/389,390**
Filed: **Apr. 11, 2011**

OTHER PUBLICATIONS

Forecast, "Ovalle Collection 15", Retrieved Aug. 5, 2012, <eurostylelighting.com>.
Forecast "Ovalle" Collection 15" ceiling lights. Found at eurostylelighting.com visited Aug. 5, 2010.*

(30) **Foreign Application Priority Data**

Oct. 11, 2010 (EM) 001766031-0004
Oct. 11, 2010 (EM) 001766031-0006
Oct. 11, 2010 (EM) 001766122-0001
Oct. 11, 2010 (EM) 001766122-0002
Oct. 11, 2010 (EM) 001766122-0003
Oct. 11, 2010 (EM) 001766122-0004
Oct. 11, 2010 (EM) 001766122-0005

* cited by examiner

Primary Examiner — Phillip S Hyder
(74) *Attorney, Agent, or Firm* — Maschoff Brennan

(51) **LOC (10) Cl.** **26-03**
(52) **U.S. Cl.**
USPC **D26/89; D26/74**
(58) **Field of Classification Search**
USPC D26/59, 71, 72, 74, 76, 85, 87, 89, 90;
D23/377, 379, 411; 362/147, 148, 365,
362/453, 454, 456, 455, 479, 483, 488, 490
See application file for complete search history.

(57) **CLAIM**
The ornamental design for a light, as shown and described.

DESCRIPTION

FIG. 1 is a lower perspective view of the light showing [our] my new design;
FIG. 2 is an upper perspective view thereof;
FIG. 3 is a side view thereof;
FIG. 4 is a top view thereof; and,
FIG. 5 is a bottom view thereof.

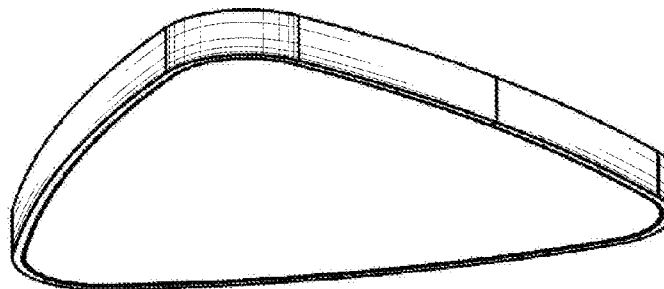
(56) **References Cited**

1 Claim, 5 Drawing Sheets

U.S. PATENT DOCUMENTS

D187,082 S 1/1930 Parker et al.
D165,738 S 1/1952 Brochstein

Matter enclosed in heavy brackets [] appears in the original patent but forms no part of this reissue; matter printed in italics indicates the additions made by reissue.



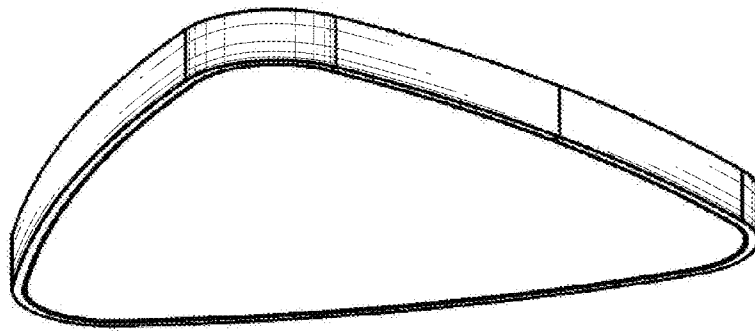


Fig. 1

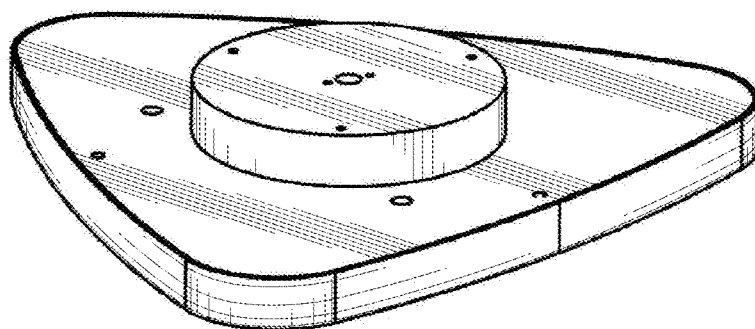


Fig. 2



Fig. 3

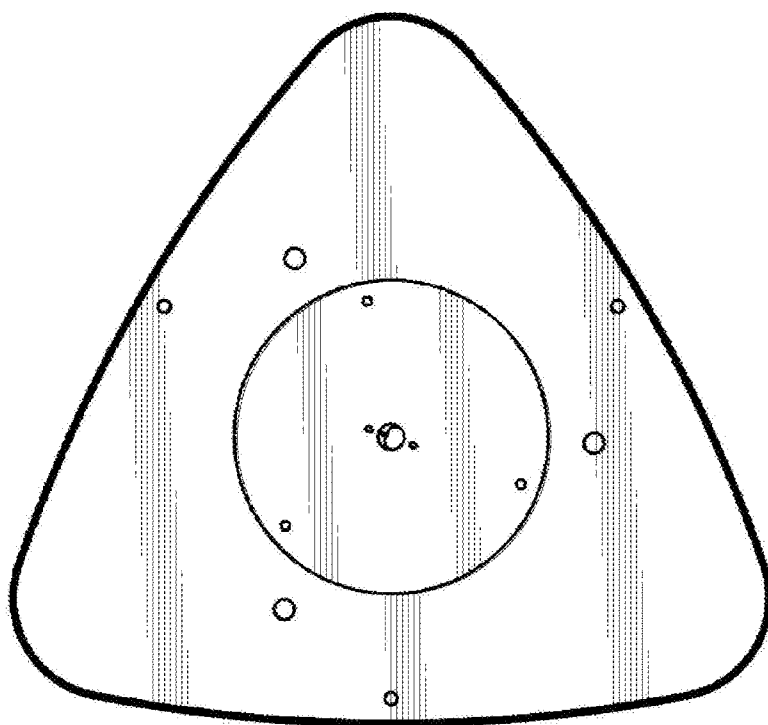


Fig. 4

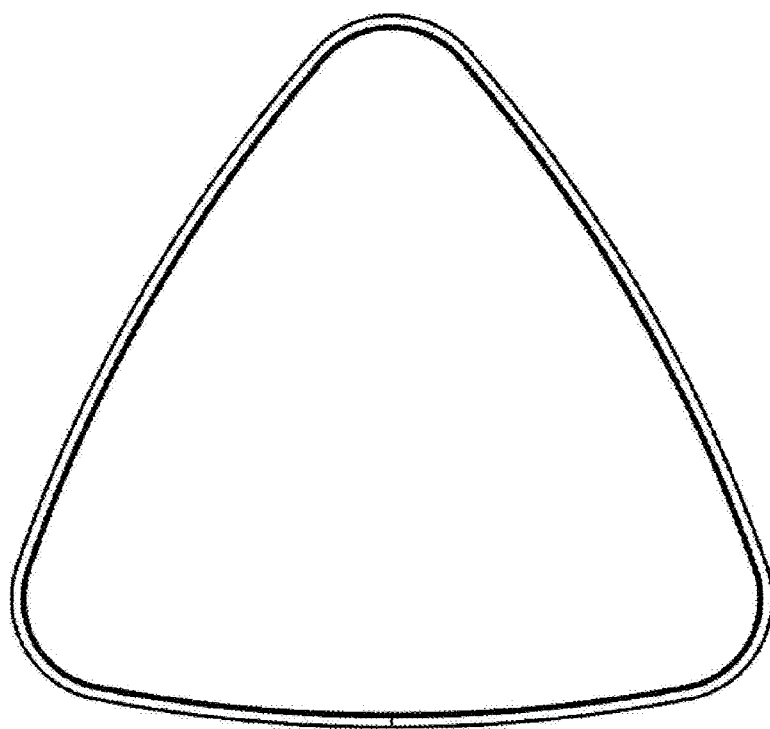


Fig. 5