

(12) **United States Design Patent** (10) **Patent No.:** **US D858,462 S**
Lu (45) **Date of Patent:** **** Sep. 3, 2019**

(54) **TOUCH CONTROL BOX FOR LIFT TABLE**

- (71) Applicant: **Dong Guan Song Wei Electric Technology Co., Ltd.**, Dongguan, Guangdong (CN)
 (72) Inventor: **Weilin Lu**, Dongguan (CN)
 (73) Assignee: **DONG GUAN SONG WEI ELECTRIC TECHNOLOGY CO., LTD.**, Dongguan, Guangdong (CN)
 (**) Term: **15 Years**
 (21) Appl. No.: **29/650,807**
 (22) Filed: **Jun. 10, 2018**
 (51) **LOC (12) CL.** **13-03**
 (52) **U.S. CL.**
 USPC **D13/164**
 (58) **Field of Classification Search**
 USPC D13/139.4, 158, 162, 164; D14/305
 CPC .. H01H 3/00; H01H 3/02; H01H 3/04; H01H 3/06; H01H 9/02; H01H 13/02; H01H 13/04; H01H 13/10; H01H 13/86; H01H 21/22; H01H 21/24; A47C 1/0345; A47C 1/035; A47B 21/02; A47B 9/00; A61G 13/02; A61G 7/018; G05B 15/02
 See application file for complete search history.

(56) **References Cited**

U.S. PATENT DOCUMENTS

4,440,096	A *	4/1984	Rice	A47B 9/04 108/147
6,595,144	B1 *	7/2003	Doyle	A47B 9/00 108/147
7,538,284	B2 *	5/2009	Nielsen	A47B 9/00 200/296
D678,847	S *	3/2013	Helm	D13/162
D820,221	S *	6/2018	Yang	D13/164
10,028,576	B1 *	7/2018	Yao	A47B 21/02
D825,493	S *	8/2018	Chen	D13/164
D833,981	S *	11/2018	Seal	D13/162
D846,503	S *	4/2019	Yang	D13/162
D846,504	S *	4/2019	Yang	D13/162
2008/0245279	A1 *	10/2008	Pan	A47B 9/00 108/144.11

OTHER PUBLICATIONS

ErgoDirect, Workrite Programmable Switch, Jan. 24, 2017, 1 pg.; https://www.google.com/search?q=switch+for+adjustable++desk&hl=en&biw=1536&bih=813&source=Int&tbs=cd%3A1%2Ccd_min%3A%2Ccd_max%3A1%2F24%2F2017&tbm=isch#imgrc=L6PII4QEQa4OnM:&spf=1556137803444.*
 Linak Height Adjustable Control, prior to Jun. 10, 2018; 1 pg.; https://www.google.com/search?hl=en&biw=1536&bih=813&tbs=cd%3A1%2Ccd_max%3A6%2F10%2F2018&tbm=isch&sa=1&ei=hMzAXI-ANsnZ5gLbtLTICw&q=control+panel+for+height+adjustable+desk&oq=control+panel+for+height+adjustable+desk&gs_l=img.3...15916.29285..29898.*
 Edesk Hand Control Panel, prior to Jun. 10, 2018, 1 pg.; https://www.google.com/search?hl=en&biw=1536&bih=813&tbs=cd%3A1%2Ccd_max%3A6%2F10%2F2018&tbm=isch&sa=1&ei=hMzAXI-ANsnZ5gLbtLTICw&q=control+panel+for+height+adjustable+desk&oq=control+panel+for+height+adjustable+desk&gs_l=img.3...15916.29285..29898...6.0.*
 Digital Control Panel; prior to Jun. 10, 2018, 1 pg.; https://www.google.com/search?hl=en&biw=1536&bih=813&tbs=cd%3A1%2Ccd_max%3A6%2F10%2F2018&tbm=isch&sa=1&ei=hMzAXI-ANsnZ5gLbtLTICw&q=control+panel+for+height+adjustable+desk&oq=control+panel+for+height+adjustable+desk&gs_l=img.3...15916.29285..29898...6.0.0.*

* cited by examiner

Primary Examiner — Selina Sikder

(74) *Attorney, Agent, or Firm* — Leong C. Lei

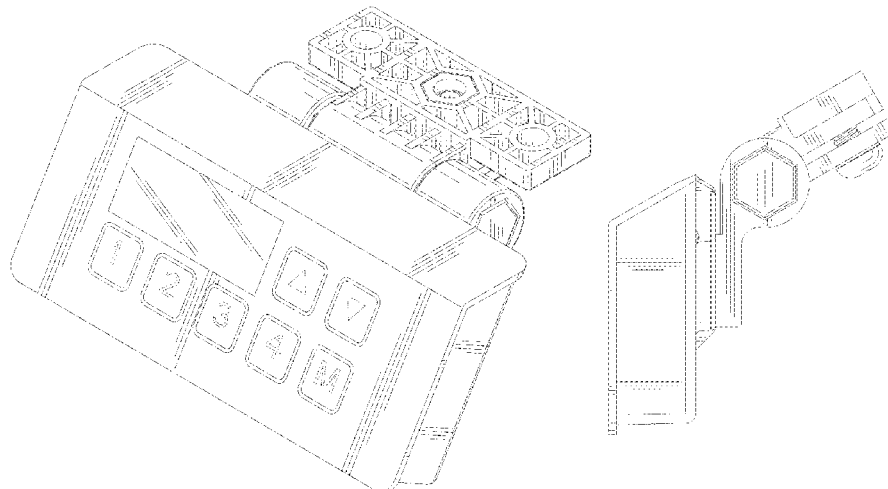
(57) **CLAIM**

The ornamental design for a touch control box for lift table, as shown and described.

DESCRIPTION

FIG. 1 is a perspective view of a touch control box for lift table showing my present design; FIG. 2 is a front view thereof; FIG. 3 is a left side view thereof; FIG. 4 a right side view thereof; FIG. 5 is a top view thereof; FIG. 6 is a bottom view thereof; and, FIG. 7 is a perspective view showing that the touch control box is mounted to the lift table. The broken lines showing of the lift table is for illustrative purposes only and forms not part of the claimed design.

1 Claim, 7 Drawing Sheets



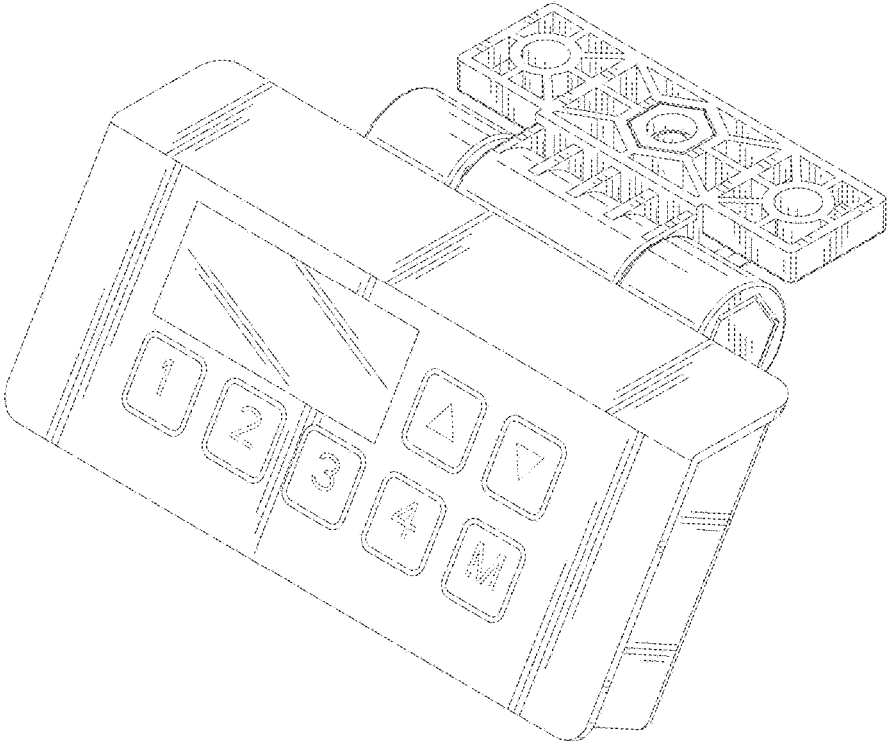


FIG. 1

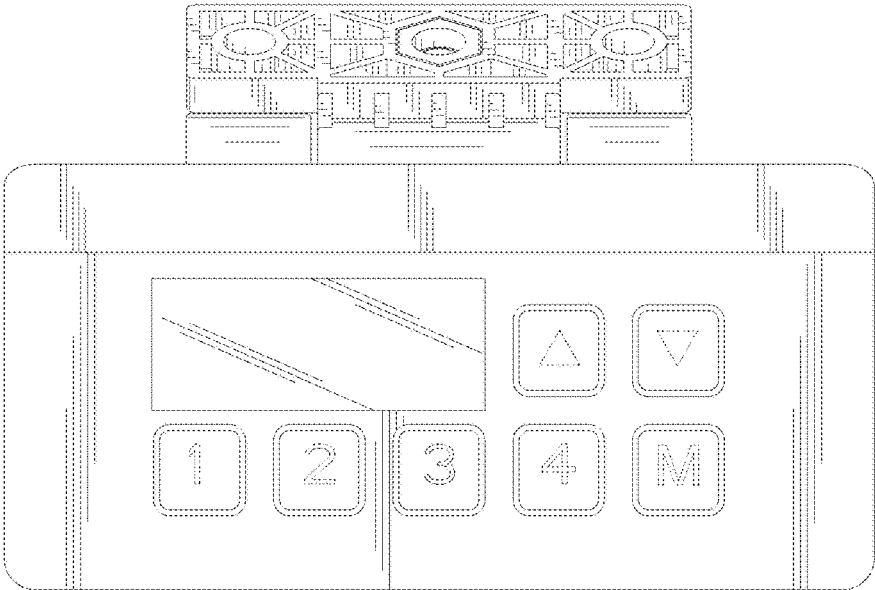


FIG. 2

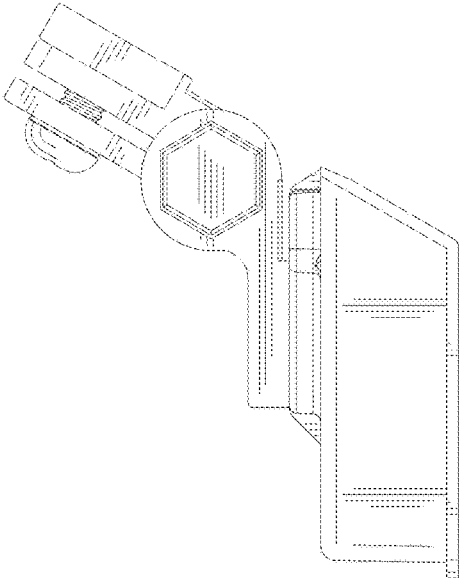


FIG. 3

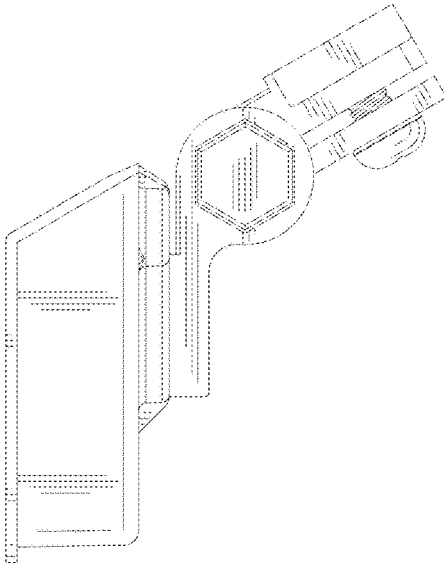


FIG. 4

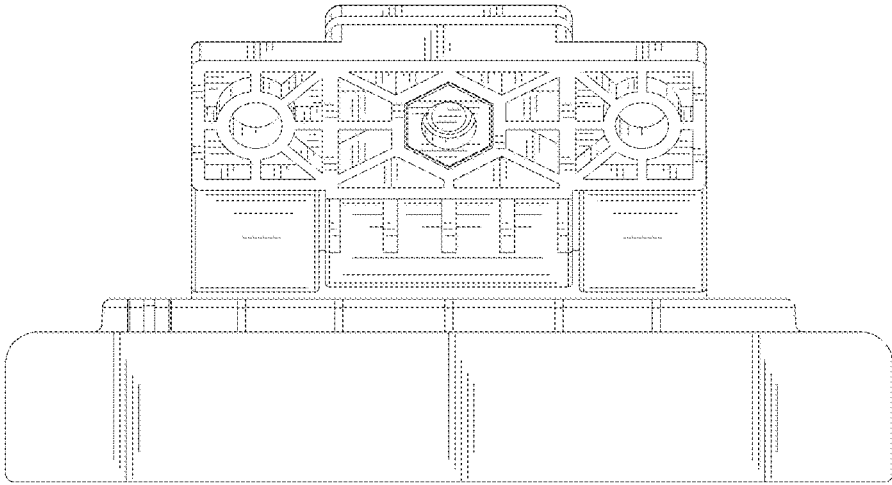


FIG. 5

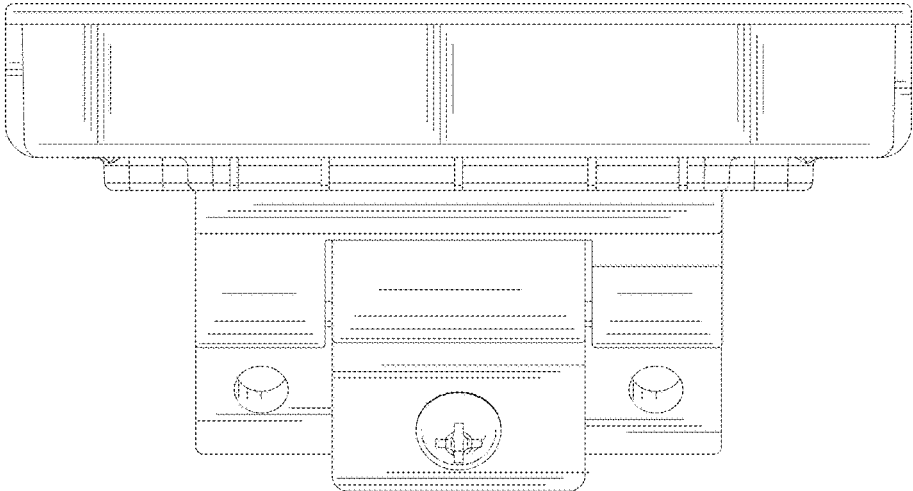


FIG. 6

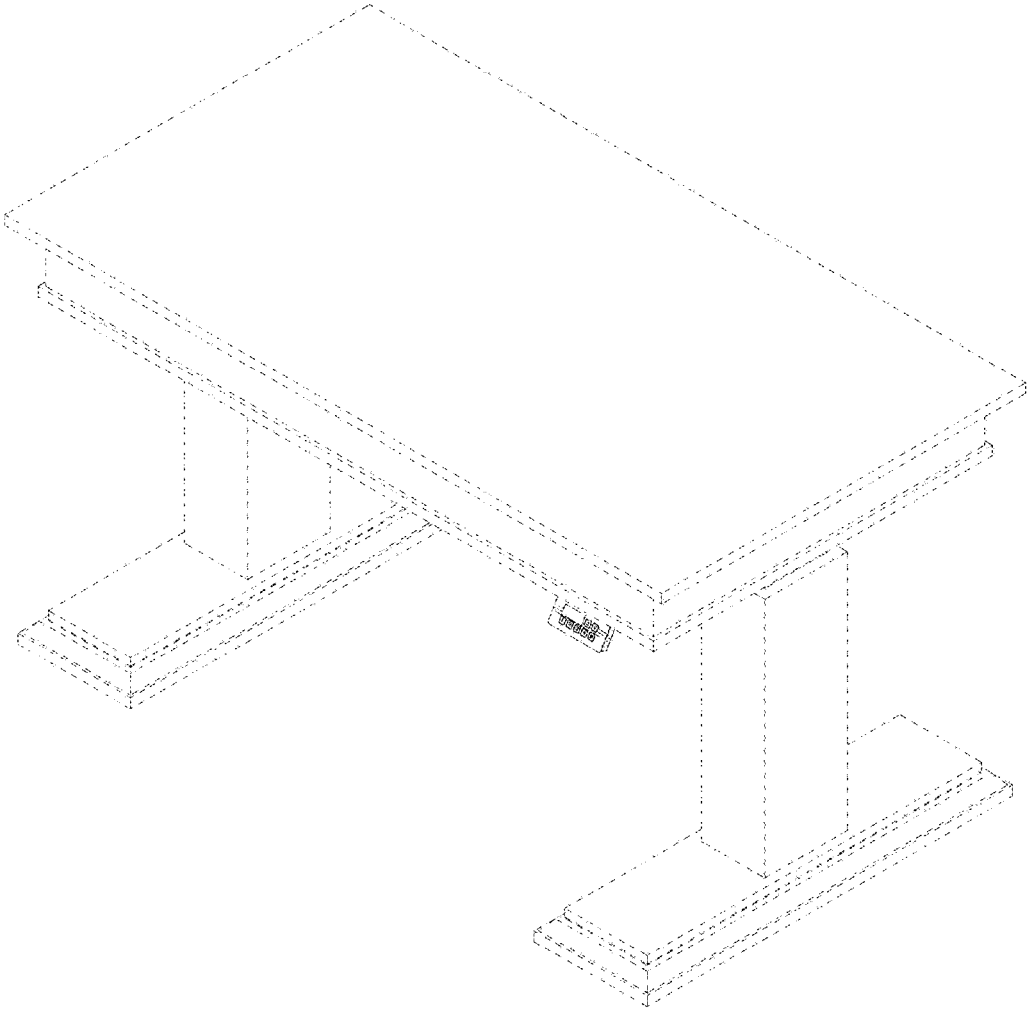


FIG. 7