



US00D912828S

(12) **United States Design Patent**
Huang et al.

(10) **Patent No.:** **US D912,828 S**

(45) **Date of Patent:** **** Mar. 9, 2021**

(54) **PATIENT TABLE**

(71) Applicant: **Siemens Healthcare GmbH**, Erlangen (DE)

(72) Inventors: **Jian Bin Huang**, Shanghai (CN); **Hong Shang**, Shanghai (CN); **Zhong Yang Yu**, Shanghai (CN)

(73) Assignee: **Siemens Healthcare GmbH**, Erlangen (DE)

(**) Term: **15 Years**

(21) Appl. No.: **29/672,857**

(22) Filed: **Dec. 10, 2018**

(30) **Foreign Application Priority Data**

Jun. 11, 2018 (CN) 201830292400.3

(51) **LOC (13) Cl.** **24-02**

(52) **U.S. Cl.** **D24/183**
USPC **D24/183**

(58) **Field of Classification Search**

USPC D24/107, 158-179, 183-186; D6/691
CPC A61G 13/12; A61G 13/0054; A61G 2210/50; A61B 6/0457; A61B 6/4447; A61B 6/484; A61B 6/0407

See application file for complete search history.

(56) **References Cited**

U.S. PATENT DOCUMENTS

D553,246 S * 10/2007 Banryu D24/183
D726,319 S * 4/2015 Sul D24/159
D727,509 S * 4/2015 Tan D24/159
D736,934 S * 8/2015 Kim D24/183
D745,971 S * 12/2015 Sharps D24/183
D770,049 S * 10/2016 Yanagihara D24/159

(Continued)

OTHER PUBLICATIONS

United Imaging Announces First U.S. Clinical Install of uMI 550 Digital PET/CT. Online, published date Jun. 19, 2019. Retrieved on

Feb. 9, 2020 from URL: <https://www.itnonline.com/content/united-imaging-announces-first-us-clinical-install-umi-550-digital-petct>.*

Primary Examiner — Susan Bennett Hattan

Assistant Examiner — Omeed Agilee

(74) *Attorney, Agent, or Firm* — Schiff Hardin LLP

(57) **CLAIM**

The ornamental design for a patient table, as shown and described.

DESCRIPTION

FIG. 1 is a front view of a patient table showing our new design;

FIG. 2 is a back elevational view thereof;

FIG. 3 is a top plan view thereof;

FIG. 4 is a bottom plan view thereof;

FIG. 5 is a right side elevational view thereof;

FIG. 6 is a left side elevational view thereof;

FIG. 7 is a perspective view taken generally from the upper, front, left-hand side thereof;

FIG. 8 is a perspective view taken generally from the upper, front, right-hand side thereof;

FIG. 9 is a perspective view taken generally from the upper, front, left-hand side thereof showing the table surface of the patient table in an alternative lateral position;

FIG. 10 is an enlarged view of the patient table as shown in FIG. 5;

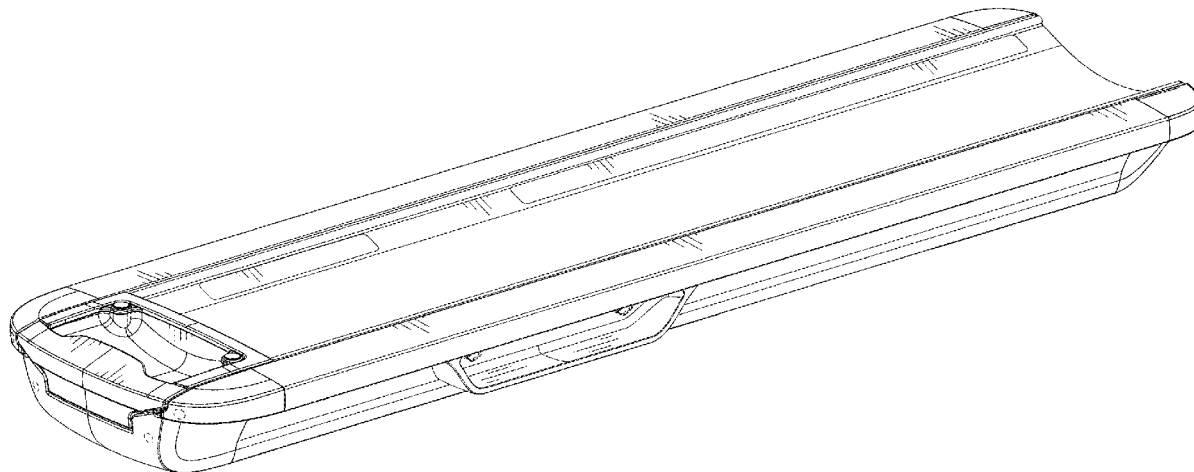
FIG. 11 is an enlarged view of the patient table as shown in FIG. 6; and,

FIG. 12 is an enlarged view of area 12 circumscribed within FIG. 8.

The alternating long-short dashed broken lines depict the boundary of the enlarged view that form no part of the claimed design.

The other broken lines depict portions of the patient table that form no part of the claimed design.

1 Claim, 12 Drawing Sheets



(56)

References Cited

U.S. PATENT DOCUMENTS

D820,459 S *	6/2018	Eenboom	D24/183
D829,913 S *	10/2018	Kitayama	D24/159
D841,170 S *	2/2019	Sul	D24/183
D844,789 S *	4/2019	Hetz	D24/183
D855,185 S *	7/2019	Chang	D24/159
D855,189 S *	7/2019	Doerrfuss	D24/183
D861,870 S *	10/2019	Chang	D24/159

* cited by examiner

FIG. 1

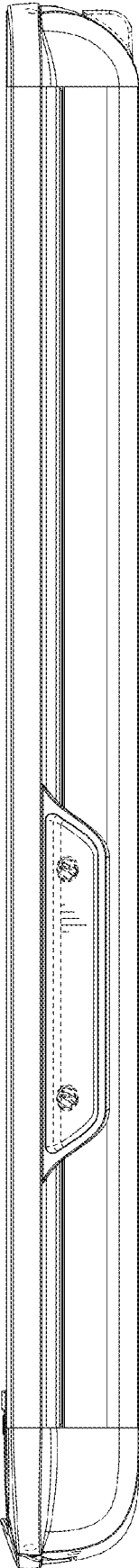


FIG. 2

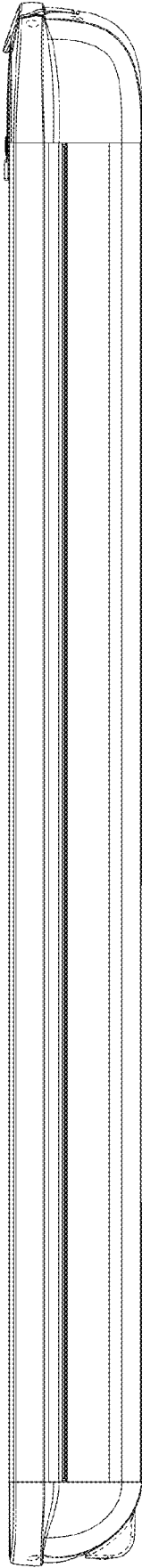


FIG. 3

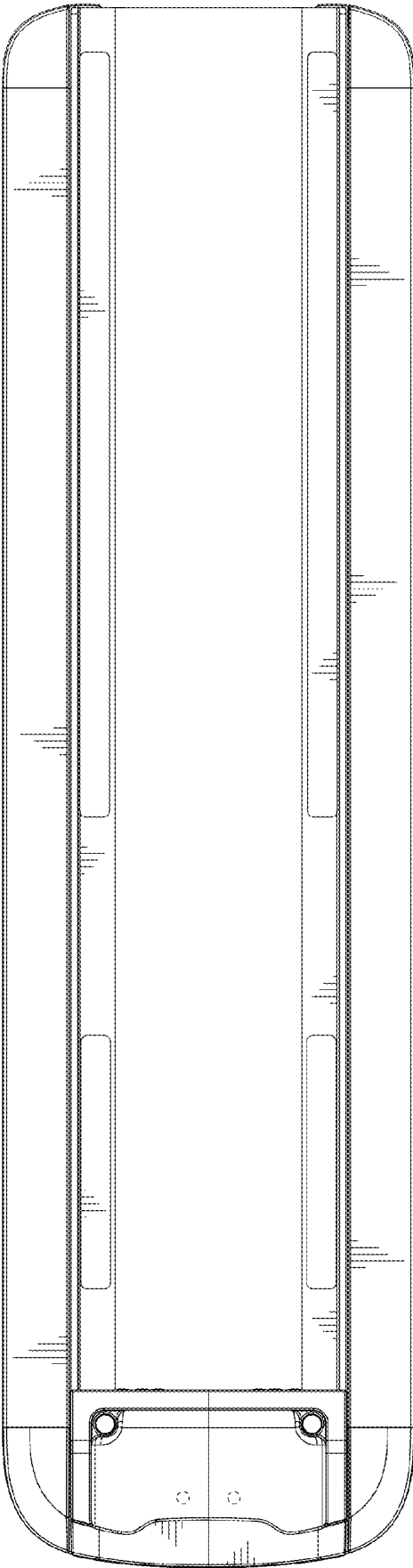


FIG. 4

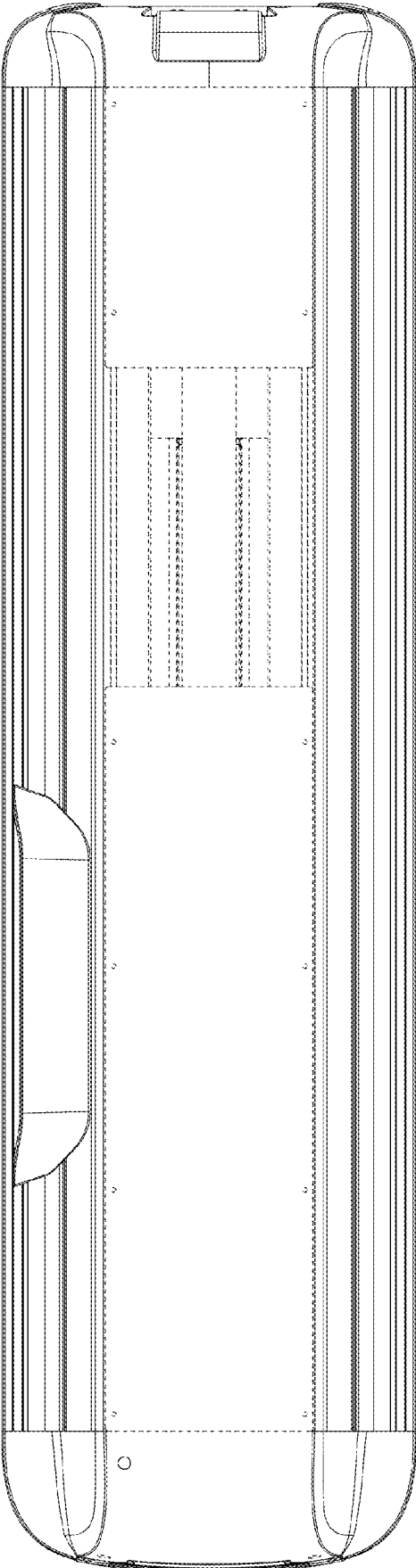


FIG. 5

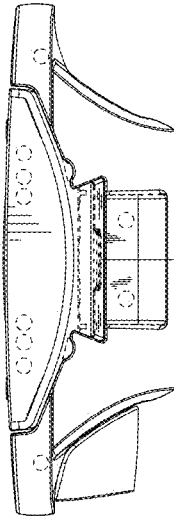


FIG. 6

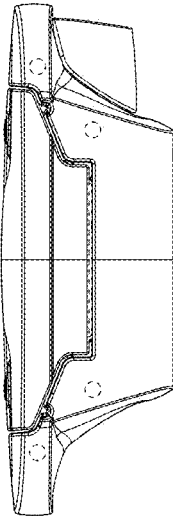


FIG. 7

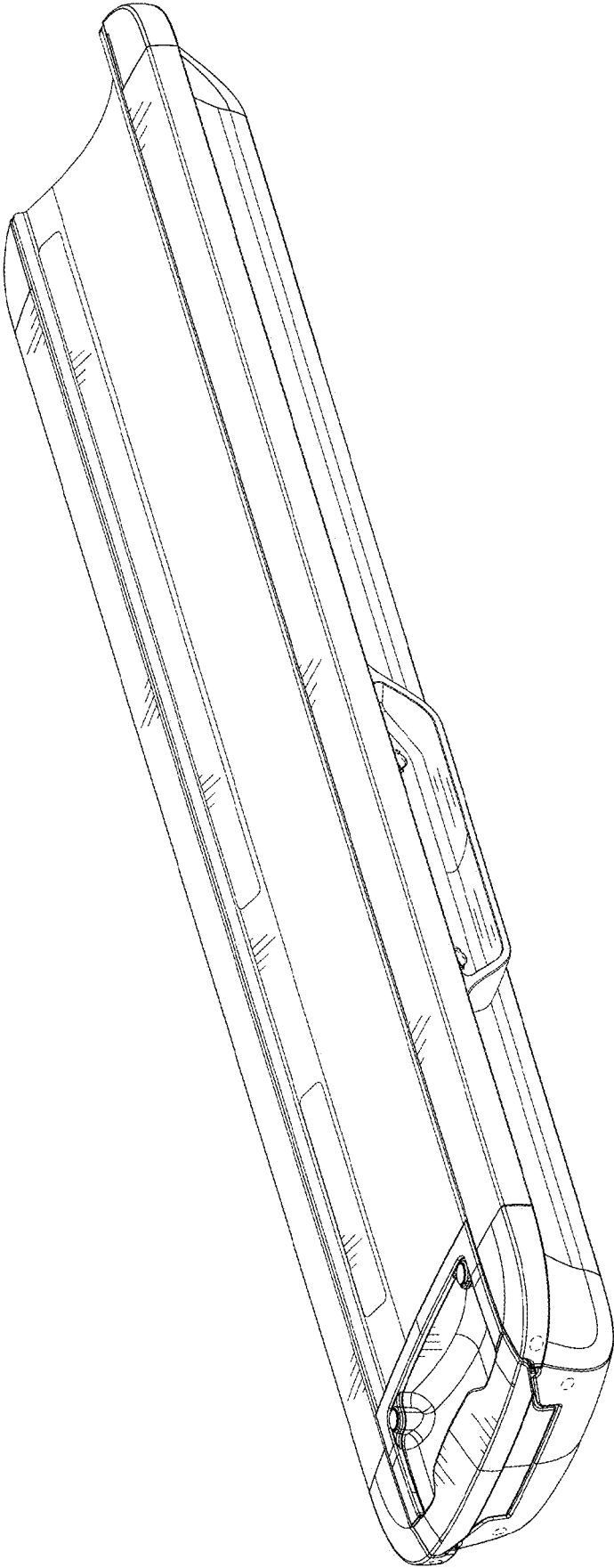


FIG. 8

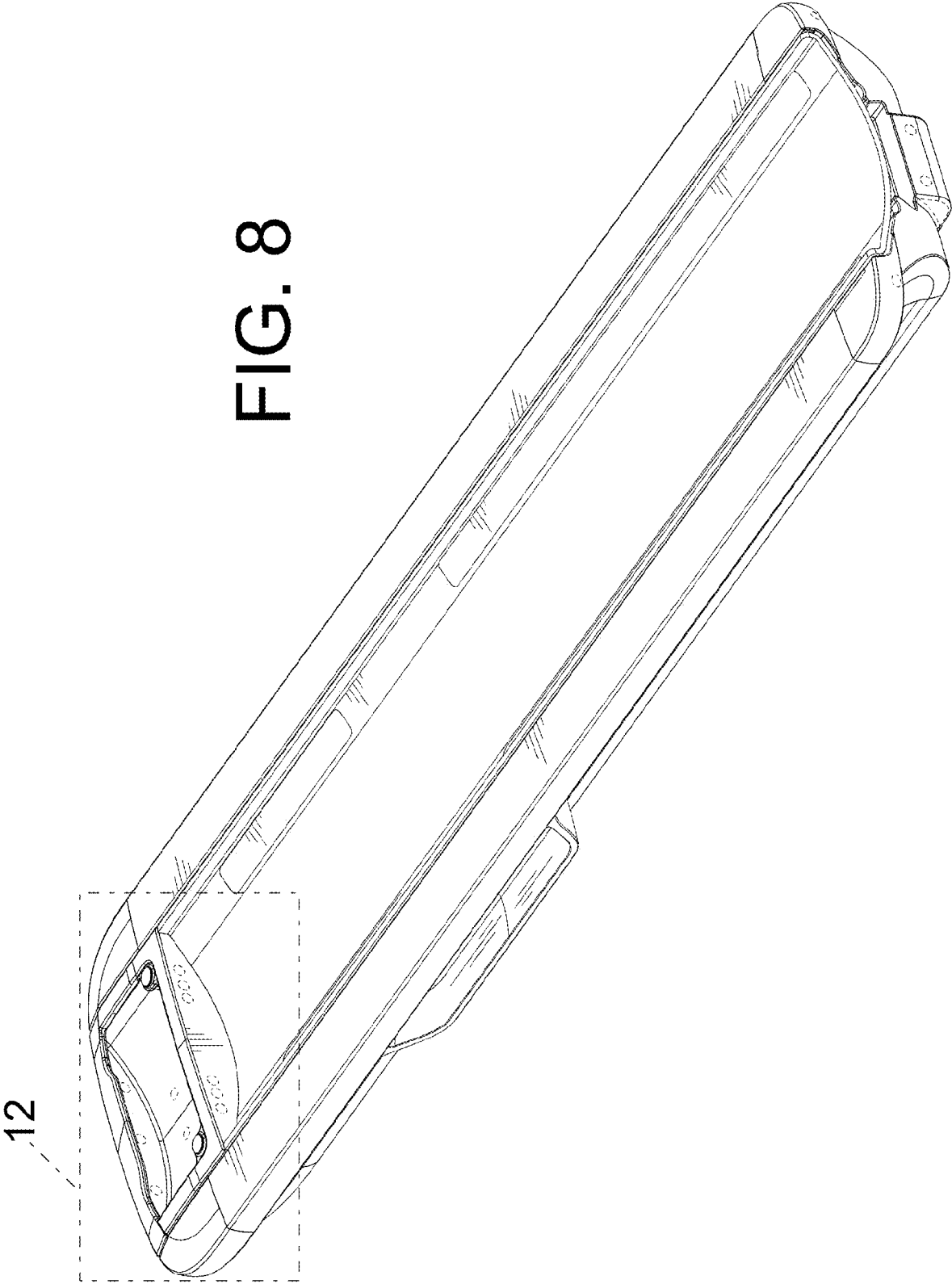


FIG. 9

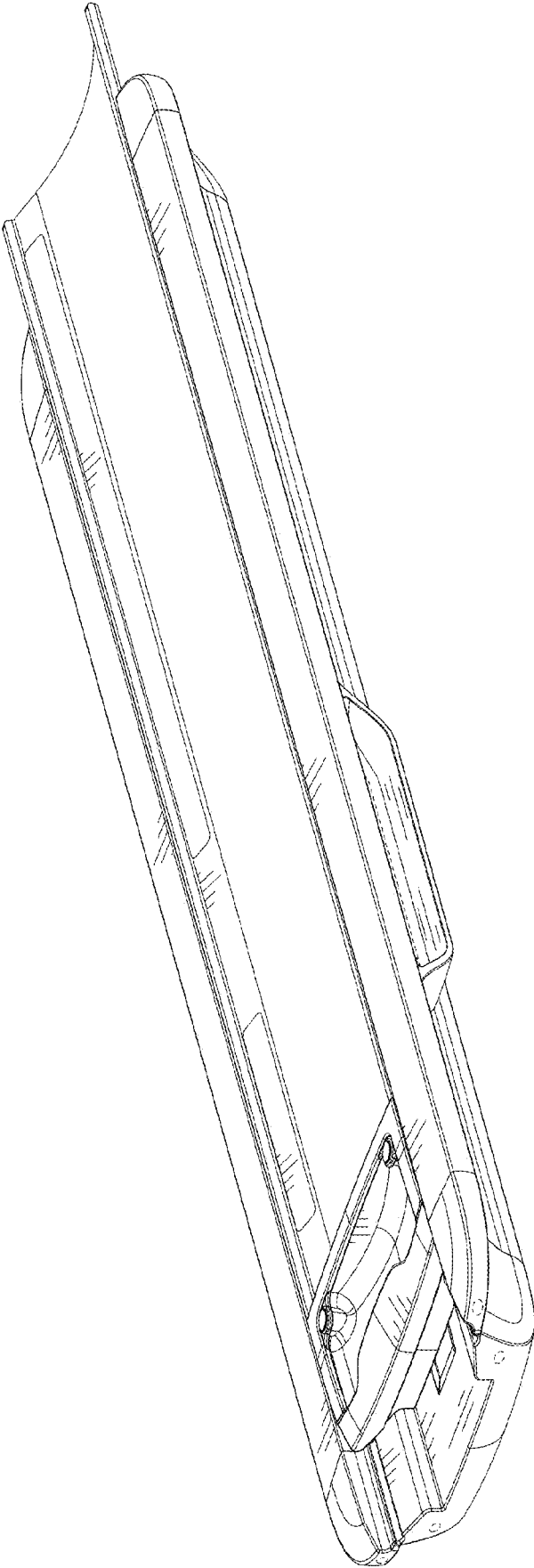


FIG. 10

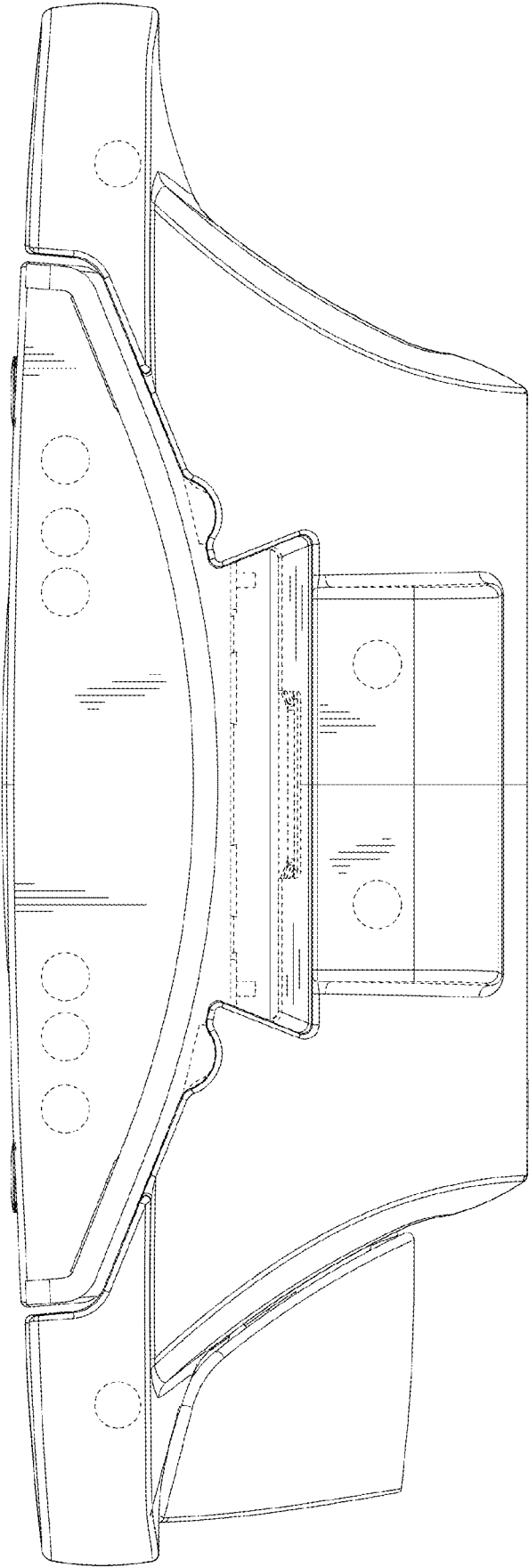


FIG. 11

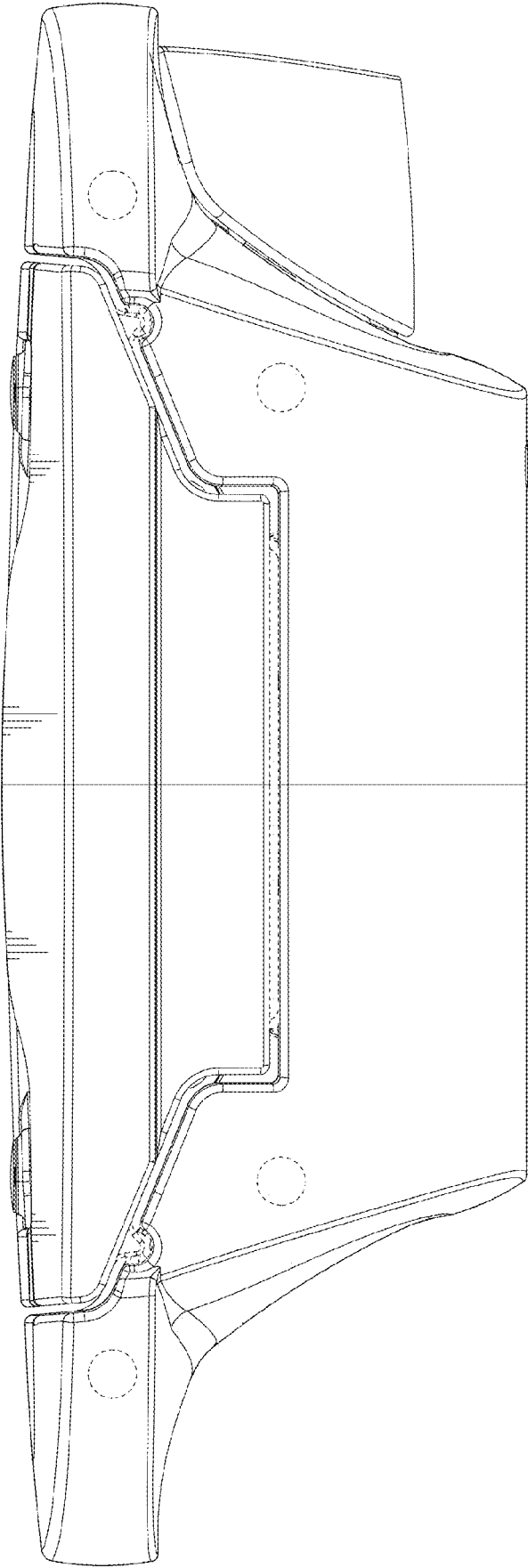


FIG. 12

