



US00D323268S

# United States Patent [19]

[11] Patent Number: Des. 323,268

Reiman

[45] Date of Patent: \*\* Jan. 21, 1992

[54] **PLANT FEEDER**

[75] Inventor: Roy Reiman, Greendale, Wis.

[73] Assignee: Reiman Associates, Inc., Greendale, Wis.

[\*\*] Term: 14 Years

[21] Appl. No.: 425,100

[22] Filed: Oct. 23, 1989

[52] U.S. Cl. .... D8/1

[58] Field of Search ..... D8/1; D11/164; 47/9, 47/27, 28.1, 32, 25, 48.5

[56] **References Cited**

**U.S. PATENT DOCUMENTS**

3,005,287	10/1961	Dudley	47/25
3,287,851	11/1966	Cramer	47/25
4,268,992	5/1981	Scharf, Sr.	47/23
4,336,666	6/1982	Caso	47/48.5
4,348,831	9/1982	Chambers	47/32

**OTHER PUBLICATIONS**

A catalog page of square plant feeder, source and lot unknown; date unknown.

*Primary Examiner*—B. J. Bullock  
*Attorney, Agent, or Firm*—Quarles & Brady

[57] **CLAIM**

The ornamental design for a plant feeder, as shown.

**DESCRIPTION**

FIG. 1 is a perspective view of my plant feeder showing my new design;

FIG. 2 is an enlarged top view thereof;

FIG. 3 is an enlarged front view thereof, the rear being identical;

FIG. 4 is an enlarged side view thereof, both sides being identical;

FIG. 5 is a sectional view taken in the direction of the arrows on line 5—5 of FIG. 2; and

FIG. 6 is a partial sectional view taken in the direction of the arrows on line 6—6 of FIG. 2.

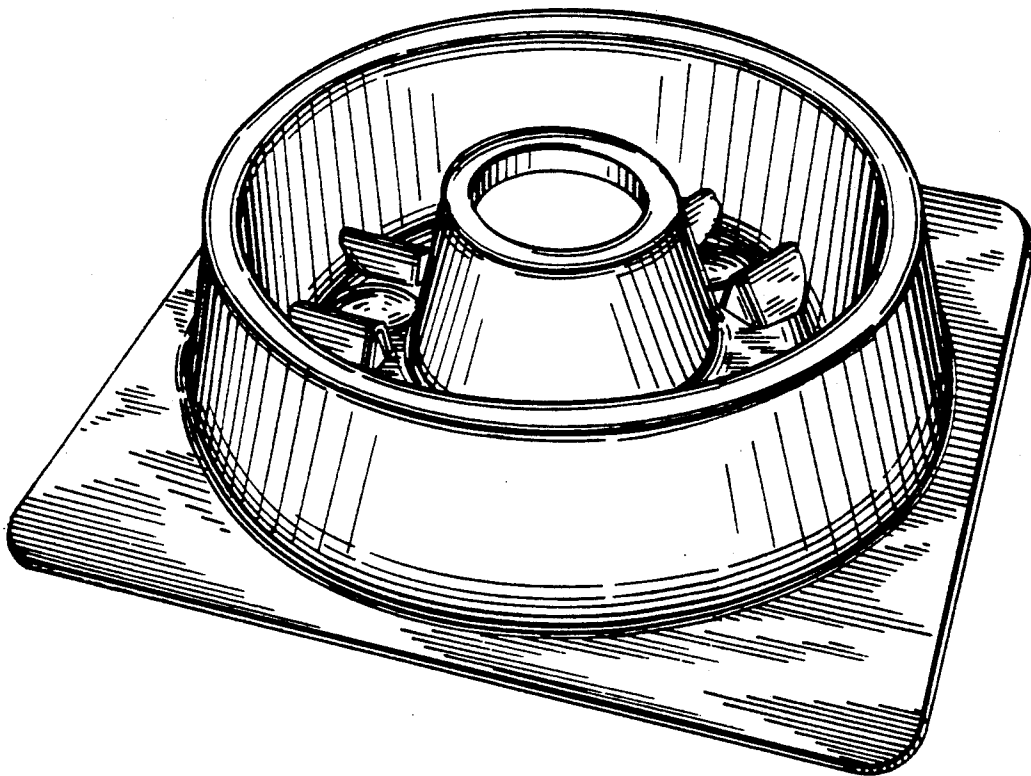


FIG. 1

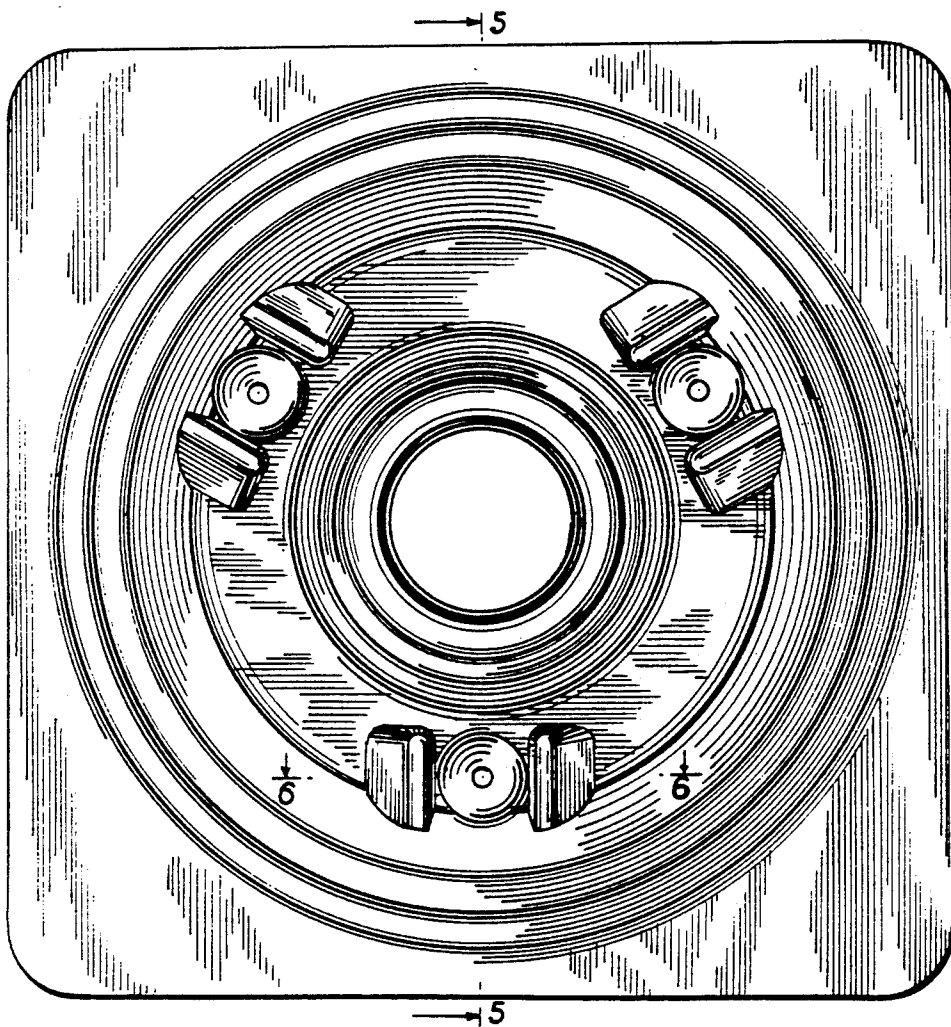
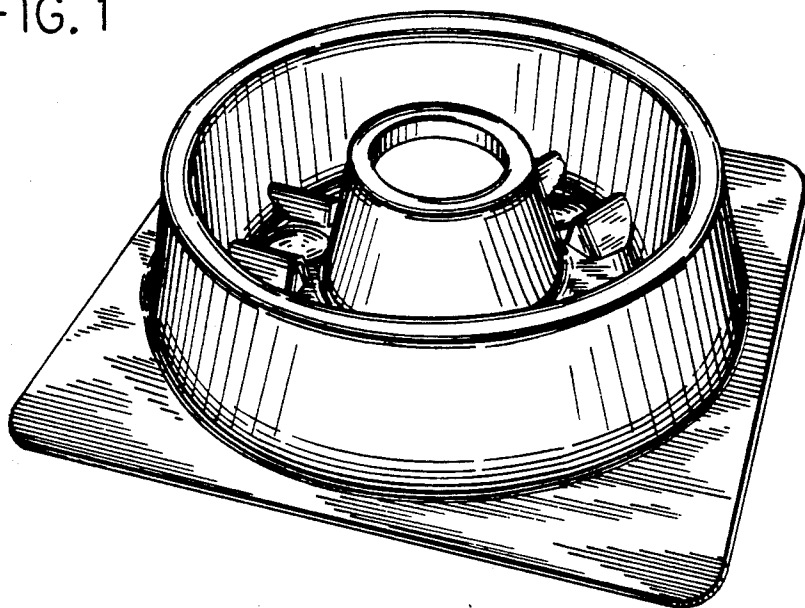


FIG. 2

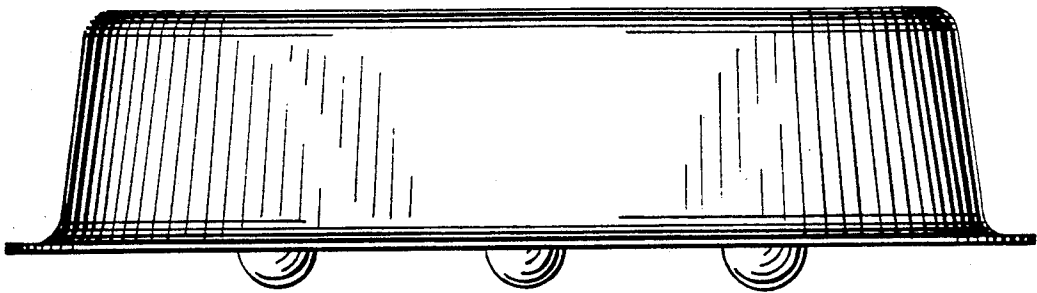


FIG. 3

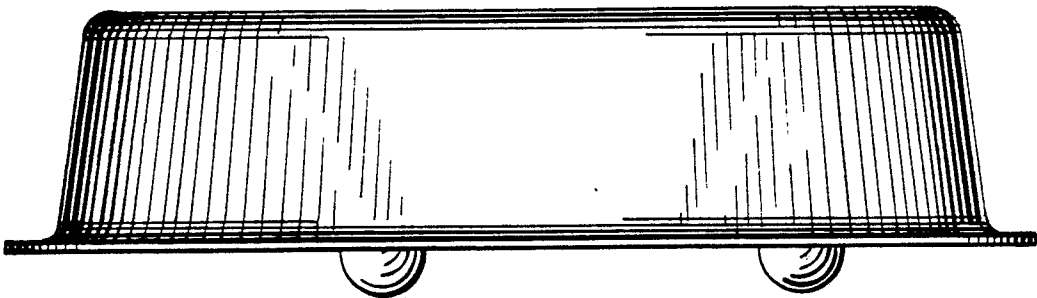


FIG. 4

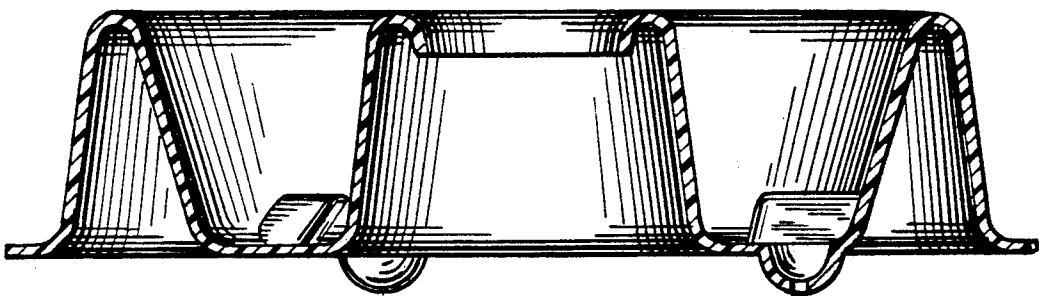


FIG. 5

FIG. 6

