



US00D864794S

(12) **United States Design Patent**
Waters et al.

(10) **Patent No.:** **US D864,794 S**

(45) **Date of Patent:** **** Oct. 29, 2019**

- (54) **ELECTRIC MOTORCYCLE**
- (71) Applicant: **Segway Inc.**, Bedford, NH (US)
- (72) Inventors: **Scott M. Waters**, Hollis, NH (US);
Michael Slate, Merrimack, NH (US);
Derek Hugger, Goffstown, NH (US);
Anthony Foale, Alicante (ES)
- (73) Assignee: **SEGWAY INC.**, Bedford, NH (US)
- (**) Term: **15 Years**
- (21) Appl. No.: **29/606,925**
- (22) Filed: **Jun. 8, 2017**
- (51) **LOC (12) Cl.** **12-11**
- (52) **U.S. Cl.**
USPC **D12/110**
- (58) **Field of Classification Search**
USPC D12/110, 111, 117; D21/432, 538
CPC B62K 11/00; B62K 11/02; B62K 11/04;
B62K 11/10; B62K 17/00; B62K 19/00;
B62K 2202/00
See application file for complete search history.

- D698,702 S * 2/2014 Kubanek D12/110
- D724,496 S * 3/2015 Takeda D12/110
- D735,086 S * 7/2015 Talios D12/110
- D798,195 S * 9/2017 Yu D12/110
- D803,103 S * 11/2017 Clyde D12/110
- D810,629 S * 2/2018 Ytterborn D12/110
- D814,359 S * 4/2018 Nishimoto D12/110
- D814,978 S * 4/2018 Niu D12/110
- D815,990 S * 4/2018 Jane Santamaria D12/110
- D815,991 S * 4/2018 Clyde D12/110
- D820,732 S * 6/2018 Francis D12/110

* cited by examiner

Primary Examiner — Darlington Ly

(74) *Attorney, Agent, or Firm* — Anova Law Group, PLLC

(57) **CLAIM**

The ornamental design for an electric motorcycle, as shown and described.

DESCRIPTION

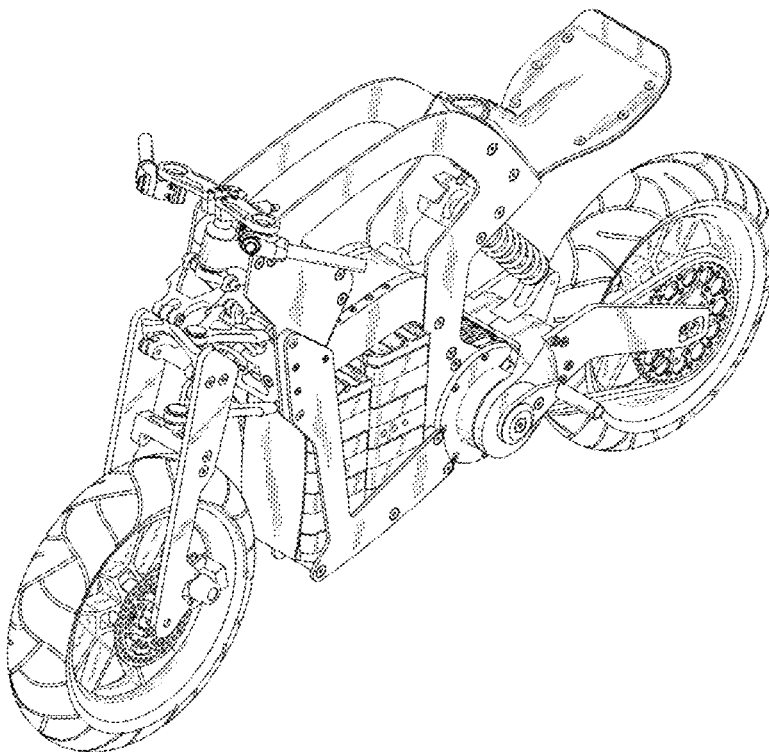
FIG. 1 is a top, front, and left side perspective view of an electric motorcycle showing our new design;
FIG. 2 is a left side elevation view thereof;
FIG. 3 is a top plan view thereof;
FIG. 4 is a rear elevation view thereof;
FIG. 5 is a front elevation view thereof;
FIG. 6 is a right side elevation view thereof; and,
FIG. 7 is a top, rear, and left side perspective view thereof.

1 Claim, 7 Drawing Sheets

(56) **References Cited**

U.S. PATENT DOCUMENTS

- D645,791 S * 9/2011 Lee D12/110
- D653,590 S * 2/2012 Patterson D12/110



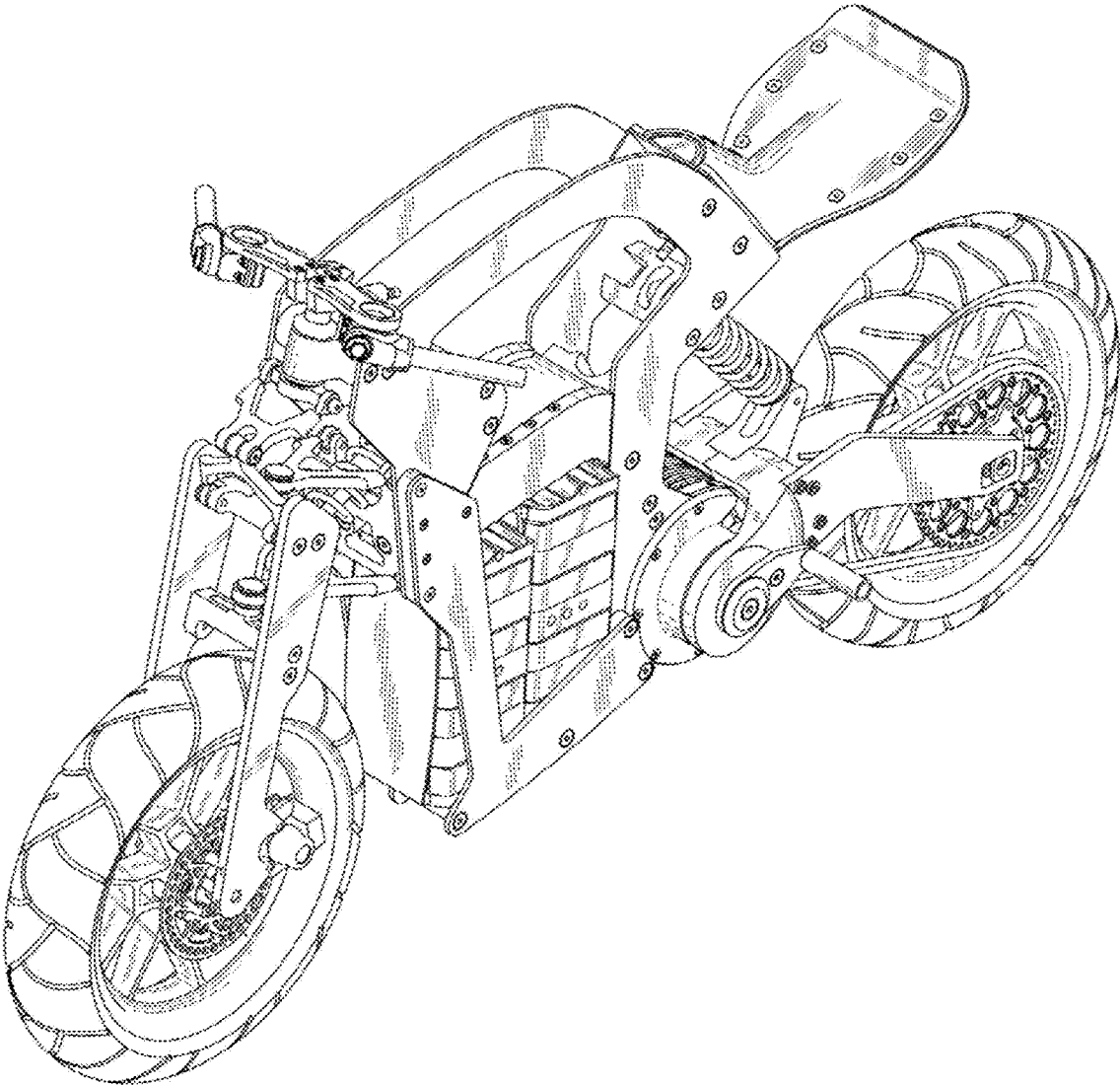


FIG. 1

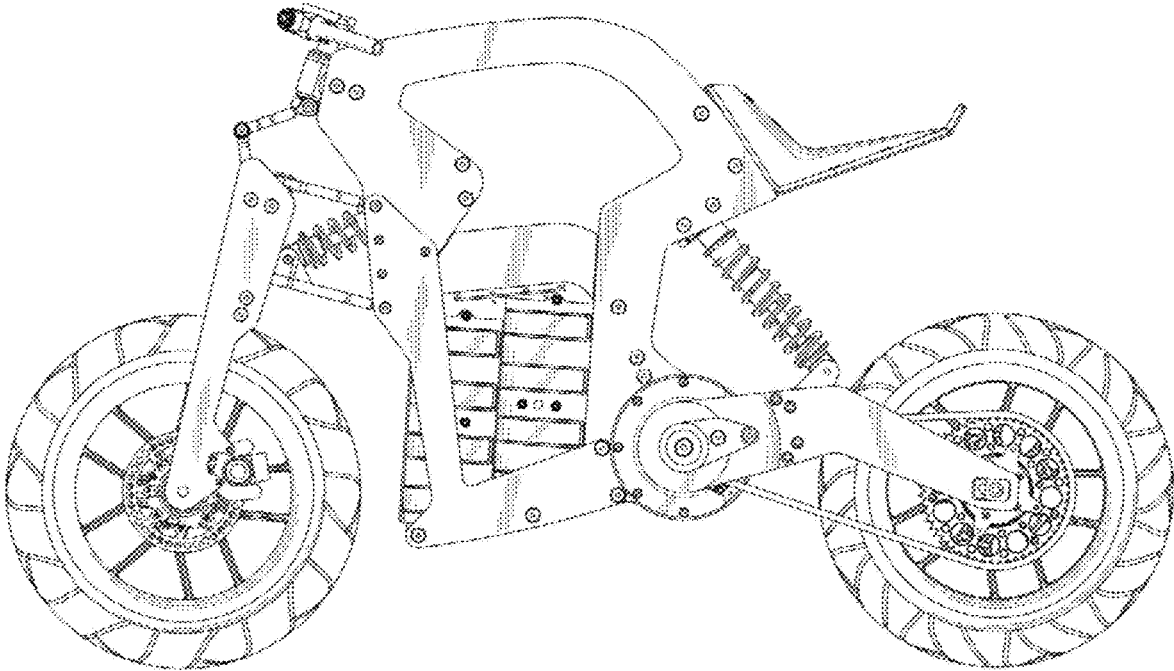


FIG. 2

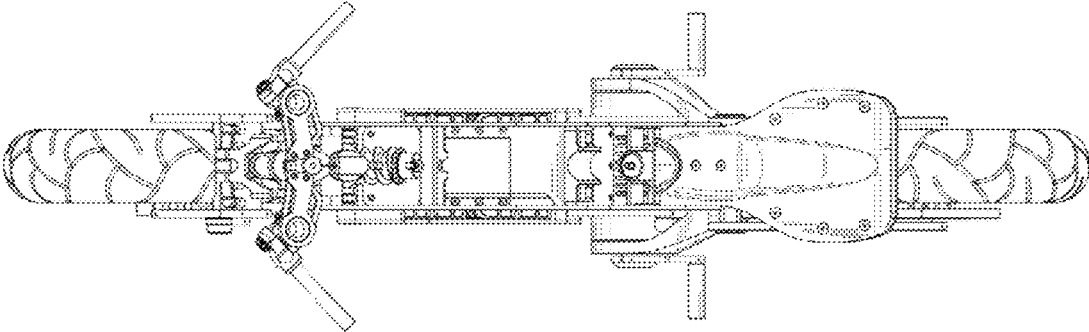


FIG. 3

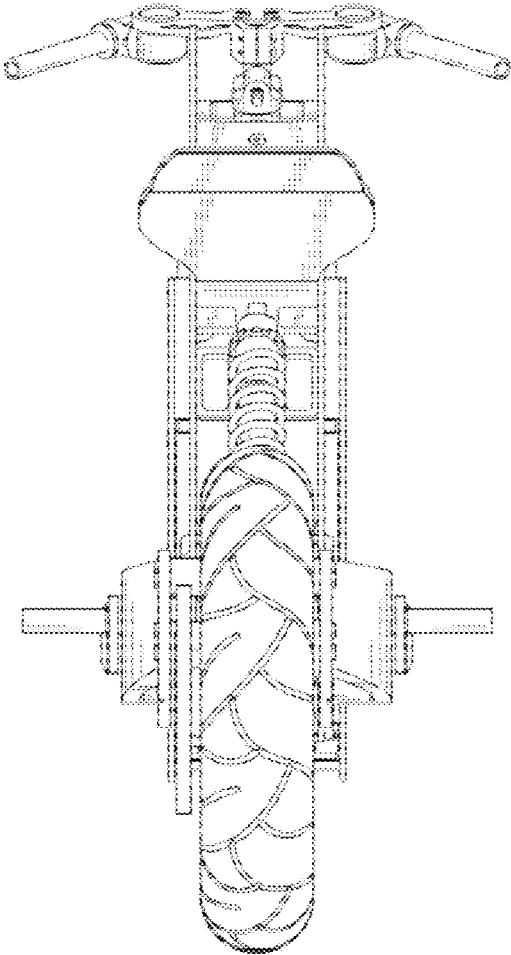


FIG. 4

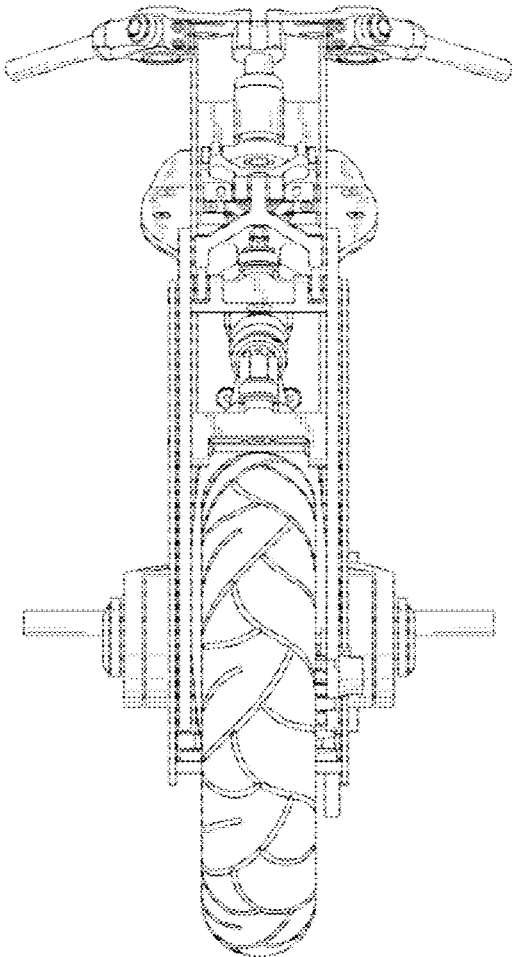


FIG. 5

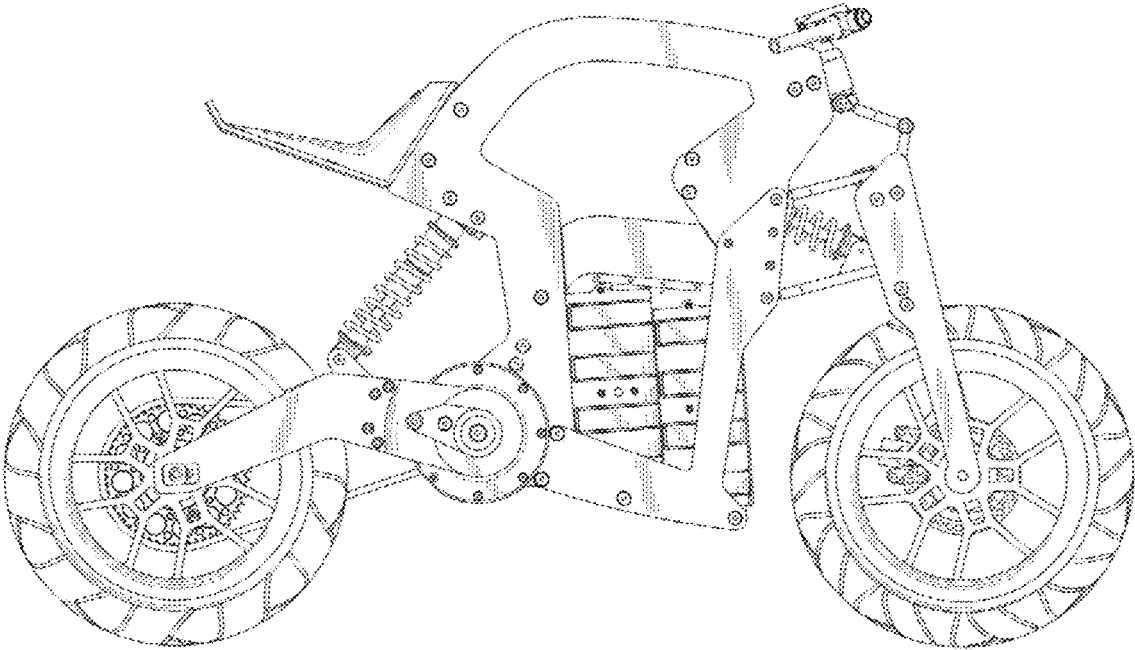


FIG. 6

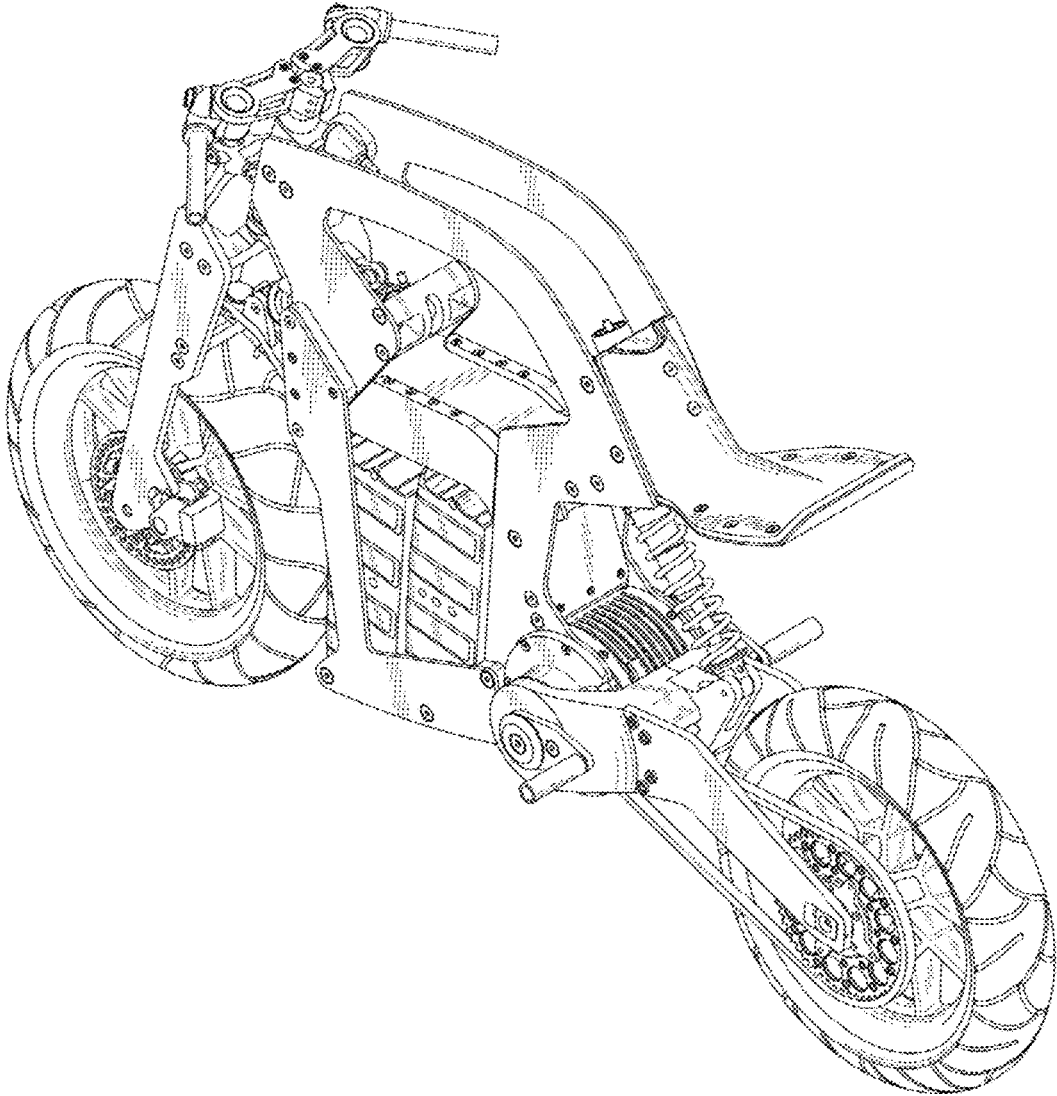


FIG. 7