



US00D856969S

(12) **United States Design Patent**
Tang

(10) **Patent No.:** **US D856,969 S**

(45) **Date of Patent:** **** Aug. 20, 2019**

- (54) **EARPHONE**
- (71) Applicant: **Mengneng Tang**, Hunan (CN)
- (72) Inventor: **Mengneng Tang**, Hunan (CN)
- (73) Assignee: **DONGGUAN KOTION ELECTRONICS TECH CO., LTD**, Hengli Town Dongguan (CN)
- (**) Term: **15 Years**
- (21) Appl. No.: **29/622,844**
- (22) Filed: **Oct. 20, 2017**
- (51) **LOC (12) Cl.** **14-01**
- (52) **U.S. Cl.**
USPC **D14/206; D14/226**
- (58) **Field of Classification Search**
USPC D14/206, 205, 188, 192, 372, 225, 226; D29/112; 2/209; 181/129, 130, 135; 379/430, 431; 381/380, 381, 370, 74; 455/90.3, 575.1, 569.1; 345/7, 8
CPC H04R 1/1066; H04R 1/1016; H04R 5/033; H04R 5/0335; H04R 25/00; H04R 25/02; H04R 1/08; H04R 19/04
See application file for complete search history.

- D645,023 S * 9/2011 Brandis D14/206
- 8,139,807 B2 * 3/2012 Reiss H04R 1/1083
381/371
- D672,744 S * 12/2012 Scarpa D14/205
- 8,443,467 B2 * 5/2013 Chiang A61F 11/06
2/209
- D689,464 S * 9/2013 Bonahoom D14/206
- D690,284 S * 9/2013 Brennwald D14/205
- D691,111 S * 10/2013 Lee D14/206
- 8,559,665 B2 * 10/2013 Schmidt H04R 1/1066
381/370
- D693,327 S * 11/2013 Chiu D14/206
- D699,216 S * 2/2014 Bonahoom D14/205
- D713,375 S * 9/2014 Dedinas D14/206
- D723,509 S * 3/2015 Garland D14/205
- 9,036,849 B2 * 5/2015 Thompson H04R 1/083
381/122
- D733,677 S * 7/2015 Ling D14/206
- D766,208 S * 9/2016 Paterson D14/205
- D788,071 S * 5/2017 Logan D14/205
- D791,734 S * 7/2017 Ou D14/206

(Continued)

Primary Examiner — Paula Allen Greene
(74) *Attorney, Agent, or Firm* — Justin Lampel

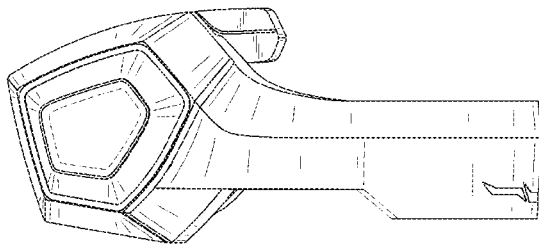
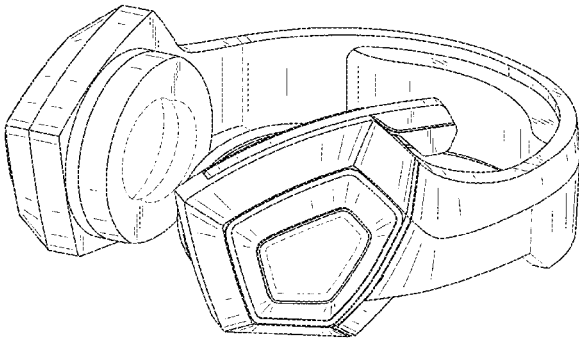
(57) **CLAIM**
The ornamental design for earphone, as shown and described.

DESCRIPTION

FIG. 1 is a perspective view of an earphone showing my new design;
FIG. 2 is a top plan view thereof;
FIG. 3 is a rear elevational view thereof;
FIG. 4 is a bottom plan view thereof;
FIG. 5 is a right side view thereof;
FIG. 6 is a front elevational view thereof; and,
FIG. 7 is a left side view thereof.
The broken lines depict environment that forms no part of the claimed design.

1 Claim, 7 Drawing Sheets

- (56) **References Cited**
U.S. PATENT DOCUMENTS
- 5,185,807 A * 2/1993 Bergin H04R 1/1066
181/128
- D344,730 S * 3/1994 Gattety D14/206
- D423,012 S * 4/2000 Yasutomi D14/205
- D431,550 S * 10/2000 Yoneda D14/205
- D517,527 S * 3/2006 Suzuki D14/205
- D517,528 S * 3/2006 Skulley D14/206
- D531,165 S * 10/2006 Rath D14/206
- D589,492 S * 3/2009 Mistry D14/205
- D604,266 S * 11/2009 Milde D14/205
- D641,727 S * 7/2011 Krauss D14/206



(56)

References Cited

U.S. PATENT DOCUMENTS

D800,092	S *	10/2017	Paterson	D14/206
D815,614	S *	4/2018	Tzeng	D14/205
D820,813	S *	6/2018	Sharp	D14/206
D824,362	S *	7/2018	Probst	D14/206
D841,620	S *	2/2019	Liu	D14/206
D845,927	S *	4/2019	Wang	D14/206
2001/0017925	A1 *	8/2001	Ceravolo	H04M 1/05 381/370
2011/0194721	A1 *	8/2011	Schmidt	H04R 1/1066 381/370

* cited by examiner

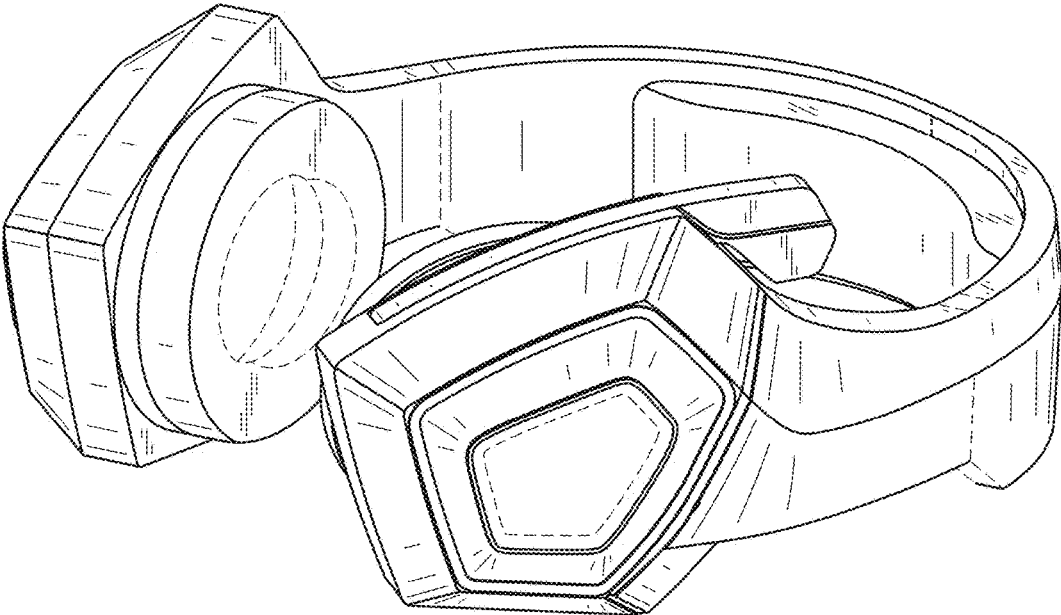


FIG. 1

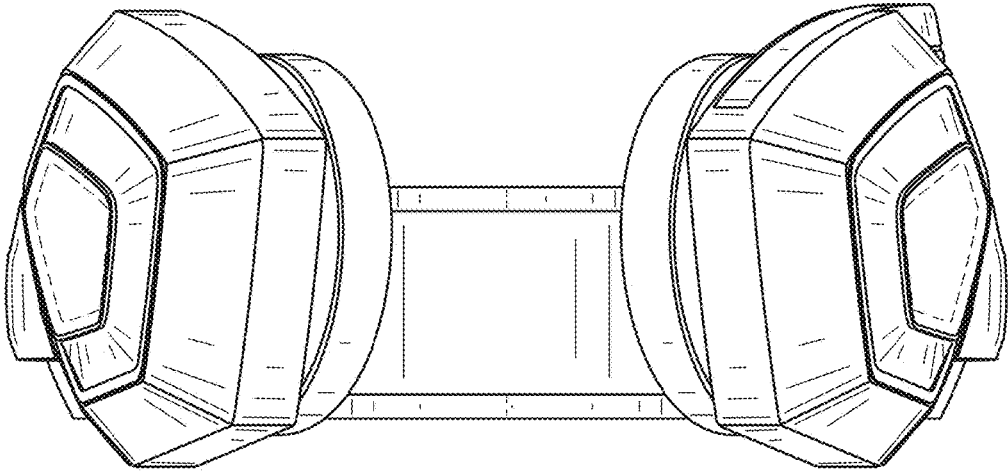


FIG. 2

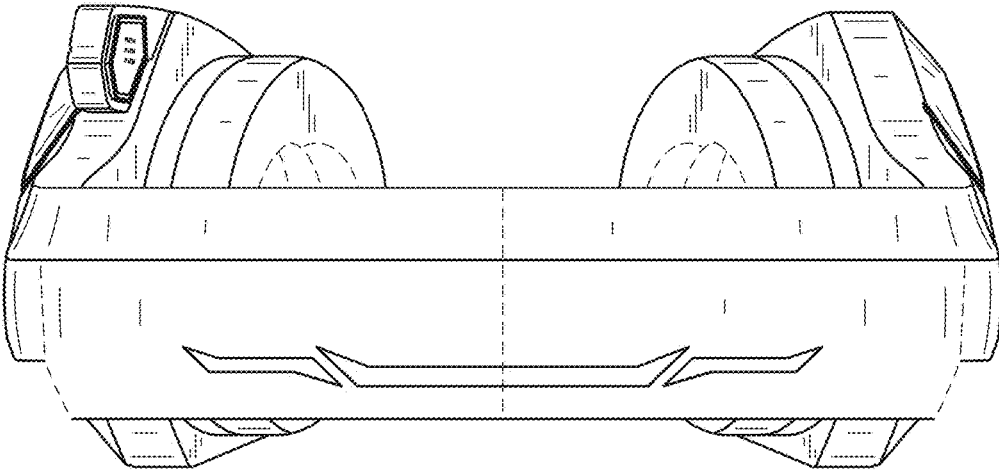


FIG. 3

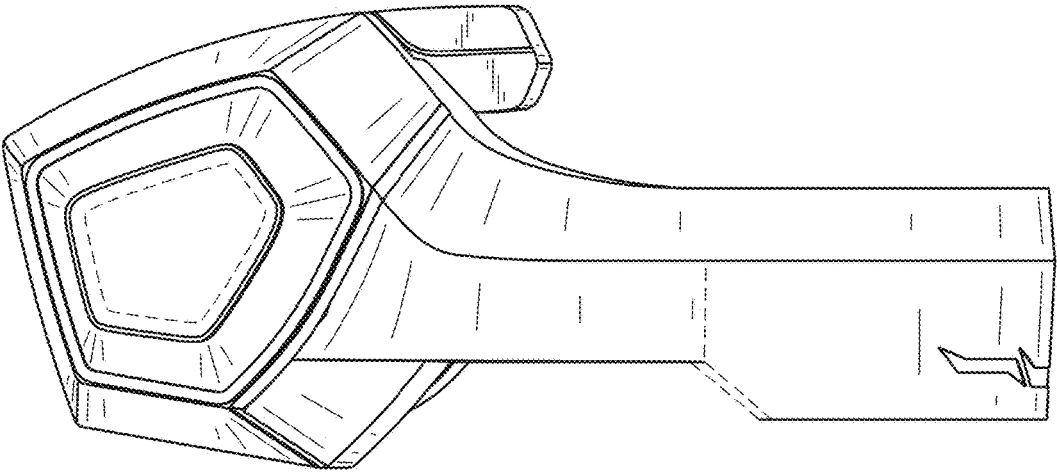


FIG. 4

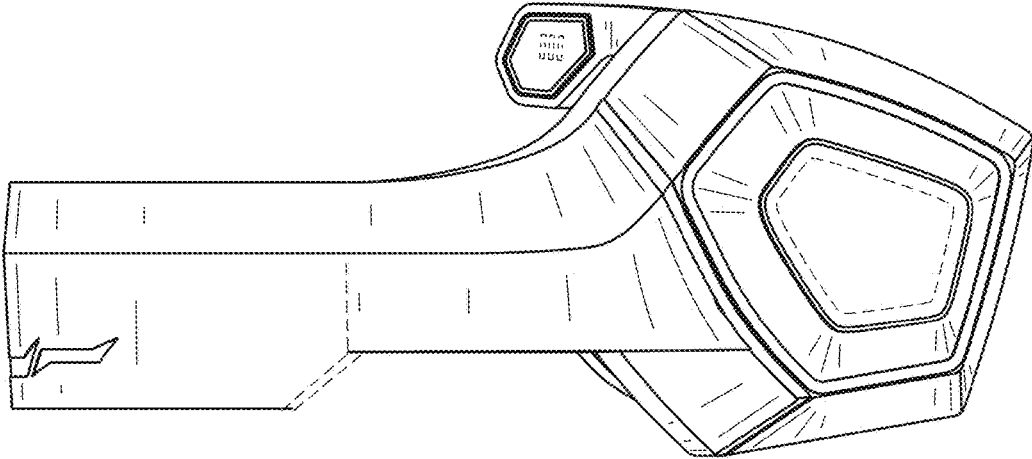


FIG. 5

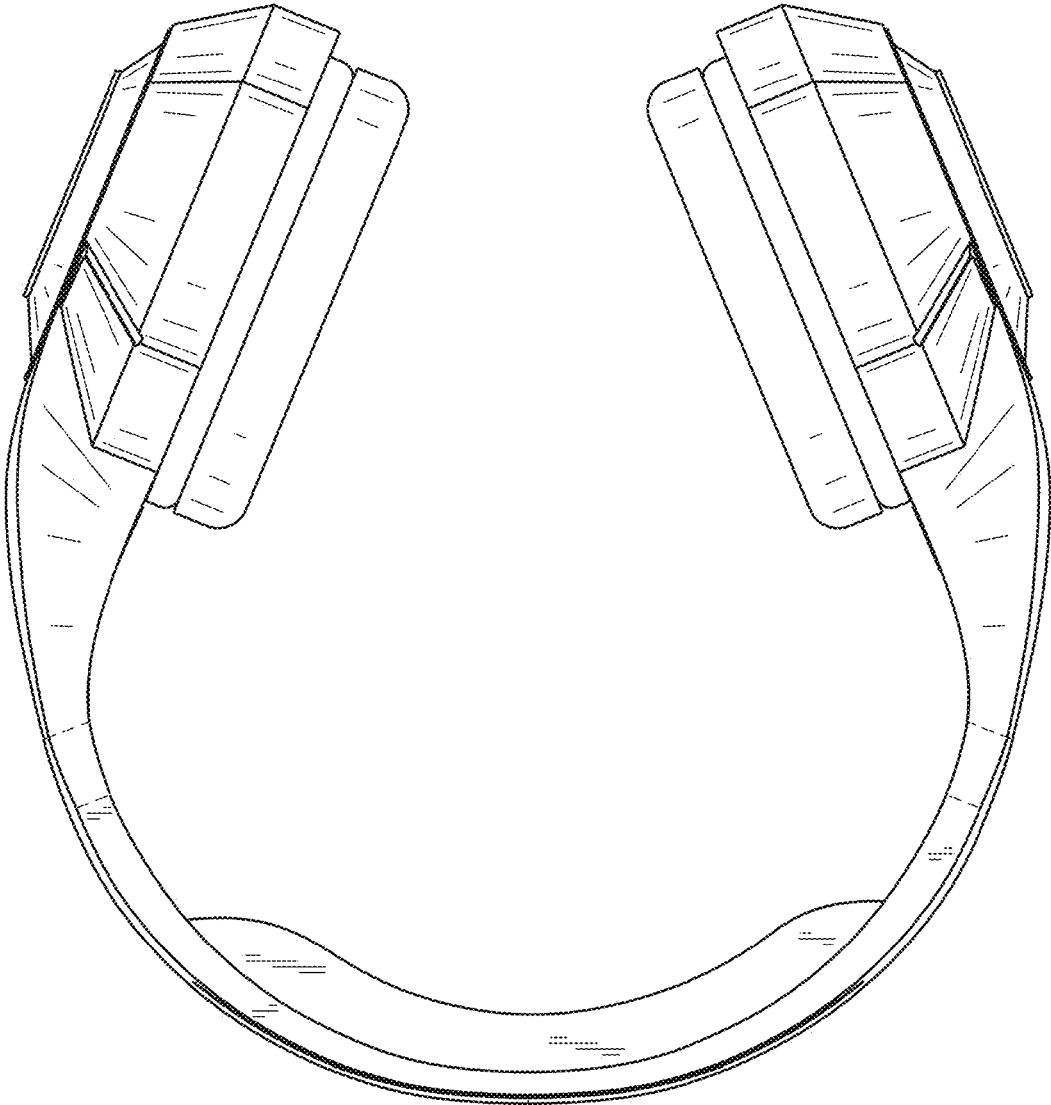


FIG. 6



FIG. 7