



US0D1014812S

(12) **United States Design Patent**
Li

(10) **Patent No.:** **US D1,014,812 S**

(45) **Date of Patent:** **** Feb. 13, 2024**

(54) **LED TABLE LAMP**

(71) Applicant: **Shenzhen Aspiron Technology Co. Ltd.**, Shenzhen (CN)

(72) Inventor: **Yuxian Li**, Shenzhen (CN)

(73) Assignee: **Shenzhen Aspiron Technology Co. Ltd.**, Shenzhen (CN)

(**) Term: **15 Years**

(21) Appl. No.: **29/853,407**

(22) Filed: **Sep. 15, 2022**

(30) **Foreign Application Priority Data**

Mar. 18, 2022 (CN) 202230143792.3

(51) **LOC (14) Cl.** **26-05**

(52) **U.S. Cl.**
USPC **D26/63**; D26/65

(58) **Field of Classification Search**
USPC D26/24, 44, 61, 63, 64, 65, 66, 87, 93,
D26/102, 106, 107; D16/237, 239
CPC F21S 6/00; F21S 6/002; F21S 6/003; F21S
6/006; F21S 8/031; F21V 21/14; F21V
21/26; F21V 21/30; F21V 21/088; F21V
21/0885

See application file for complete search history.

(56) **References Cited**

U.S. PATENT DOCUMENTS

D337,843	S	*	7/1993	Huang	D26/65
D382,362	S	*	8/1997	Huang	D26/65
D523,164	S	*	6/2006	Ng	D26/65
D599,929	S	*	9/2009	Huang	D26/63
D600,844	S	*	9/2009	Thomson	D26/65
D612,087	S	*	3/2010	Huang	D26/65
D619,746	S	*	7/2010	Huang	D26/65
D620,165	S	*	7/2010	Huang	D26/65
D622,882	S	*	8/2010	Lee	D26/65

D623,329	S	*	9/2010	Huang	D26/63
D623,788	S	*	9/2010	Huang	D26/65
D637,331	S	*	5/2011	Lee	D26/63
D637,332	S	*	5/2011	Lee	D26/63
D641,916	S	*	7/2011	Witsch	D26/107
D651,734	S	*	1/2012	Li	D26/63
D654,199	S	*	2/2012	Xie	D26/63
D665,938	S	*	8/2012	Kim	D26/63

(Continued)

OTHER PUBLICATIONS

Desk Lamp; Retrieved from from www.amazon.com at https://www.amazon.com/LED-Dimmable-Brightness-Adjustable-Eye-Caring/dp/B09Q2RNM9Q; Retrieved on Nov. 3, 2023; First available on Jan. 21, 2021 (Year: 2021).*

(Continued)

Primary Examiner — Clint A Samuel

(74) *Attorney, Agent, or Firm* — ScienBiziP, P.C.

(57) **CLAIM**

The ornamental design for a LED table lamp, as shown and described.

DESCRIPTION

FIG. 1 is a front, right and top perspective view of a LED table lamp, showing my design.

FIG. 2 is a rear, left and bottom perspective view thereof.

FIG. 3 is a front elevation view thereof.

FIG. 4 is a rear elevation view thereof.

FIG. 5 is a left side elevation view thereof.

FIG. 6 is a right side elevation view thereof.

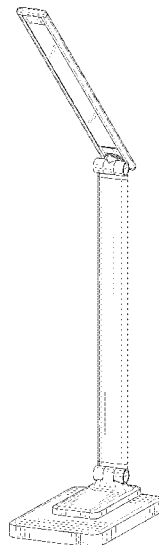
FIG. 7 is a top plan view thereof.

FIG. 8 is a bottom plan view thereof; and,

FIG. 9 is another front, right and top perspective view of the LED table lamp in another state.

The broken lines shown in the drawings are included for the purpose of illustrating portions of the LED table lamp that form no part of the claimed design.

1 Claim, 9 Drawing Sheets



(56)

References Cited

U.S. PATENT DOCUMENTS

D689,642 S * 9/2013 Huang D26/63
 D758,631 S * 6/2016 Cai D26/63
 D759,282 S * 6/2016 Lee D26/65
 D803,450 S * 11/2017 Xie D26/63
 D804,071 S * 11/2017 Xu D26/63
 D804,072 S * 11/2017 Xu D26/63
 D850,686 S * 6/2019 Wang D26/65
 D858,835 S * 9/2019 Xiao D26/93
 D873,463 S * 1/2020 Wang D26/65
 D876,699 S * 2/2020 Tang D26/65
 D936,885 S * 11/2021 Yang D26/63
 D937,463 S * 11/2021 Zheng D26/65
 D945,048 S * 3/2022 Zhou D26/106
 D950,138 S * 4/2022 Huang D26/65
 D952,236 S * 5/2022 Zhang D26/93
 D963,932 S * 9/2022 Chen D26/107
 D965,850 S * 10/2022 Huang D26/107
 D968,013 S * 10/2022 Huang D26/107
 D973,935 S * 12/2022 Tang D26/63
 D982,206 S * 3/2023 Cheng D26/60
 D983,432 S * 4/2023 Wang D26/65

D988,562 S * 6/2023 Liu D26/63
 D997,416 S * 8/2023 Li D26/107
 D997,417 S * 8/2023 Zhu D26/106
 D999,429 S * 9/2023 Wu D26/63
 D1,000,670 S * 10/2023 Sun D26/65
 2009/0180284 A1 * 7/2009 Lin F21V 29/763
 362/294
 2013/0051025 A1 * 2/2013 Lai F21S 6/002
 362/269
 2018/0058647 A1 * 3/2018 He F21V 21/116

OTHER PUBLICATIONS

LED Desk Lamp with Wireless Charger; Retrieved from from
 www.amazon.com at <https://www.amazon.com/Wireless-Charger-Charging-Brightness-Temperature/dp/B0BQHXGLX8>; Retrieved on
 Nov. 3, 2023; First available on Dec. 19, 2022 (Year: 2022).*
 Gliti LED Desk Lamp; Retrieved from www.amazon.com at <https://www.amazon.com/GLITI-Dimmable-Brightness-Charging-Eye-Caring/dp/B09XM5MYV7?th=1>; Retrieved on Nov. 3, 2023; First
 available on Jun. 1, 2022 (Year: 2022).*

* cited by examiner

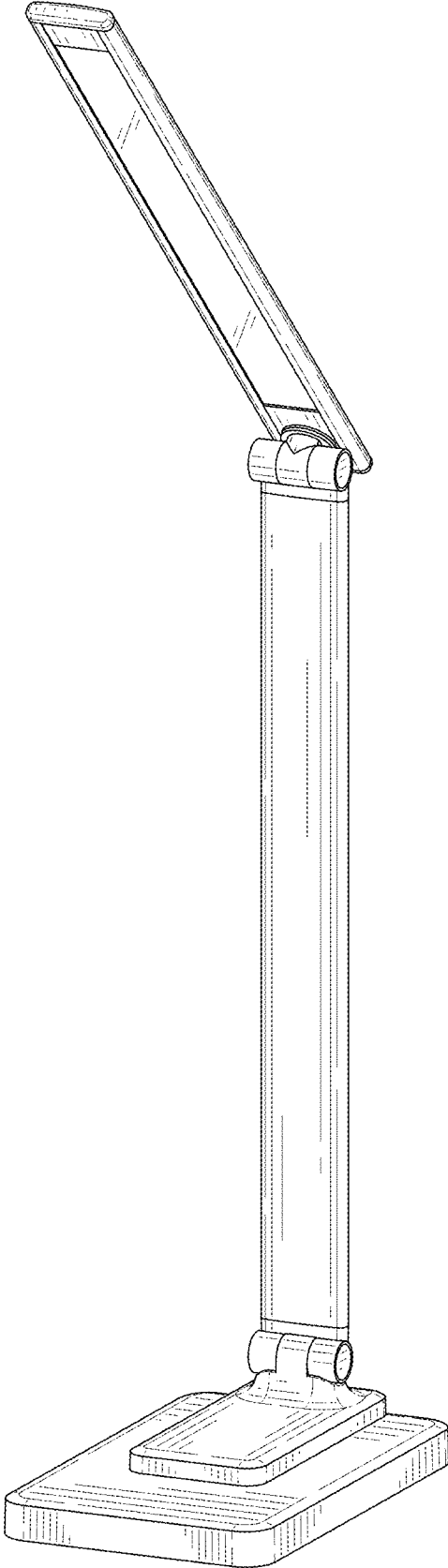


FIG. 1

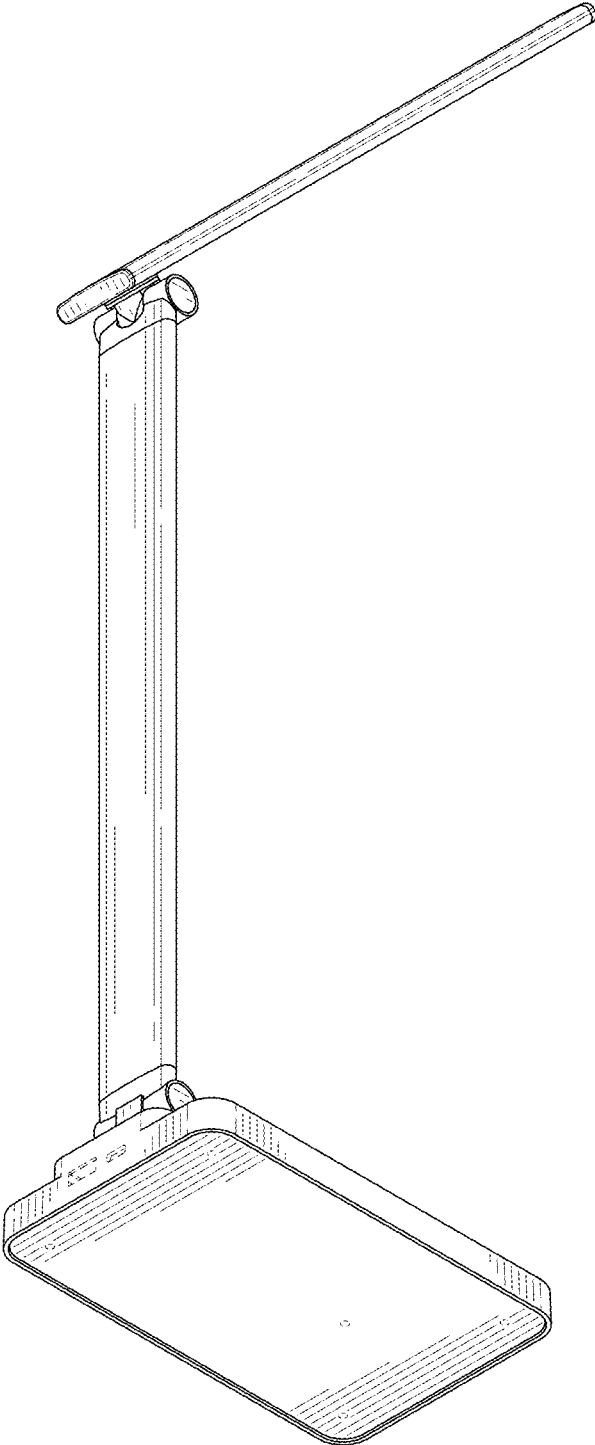


FIG. 2

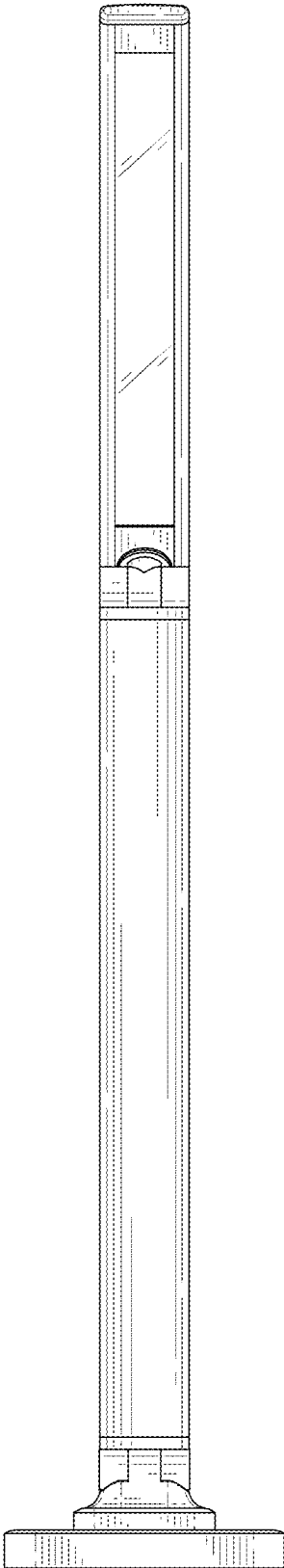


FIG. 3

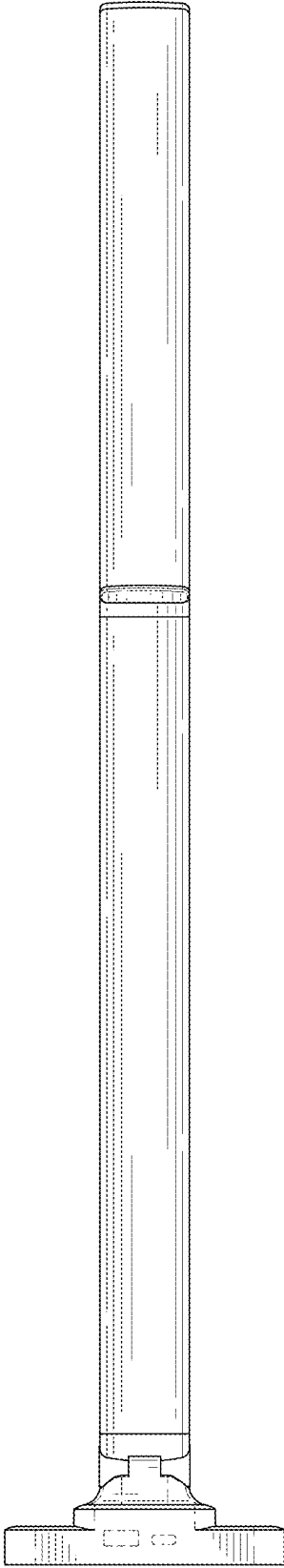


FIG. 4

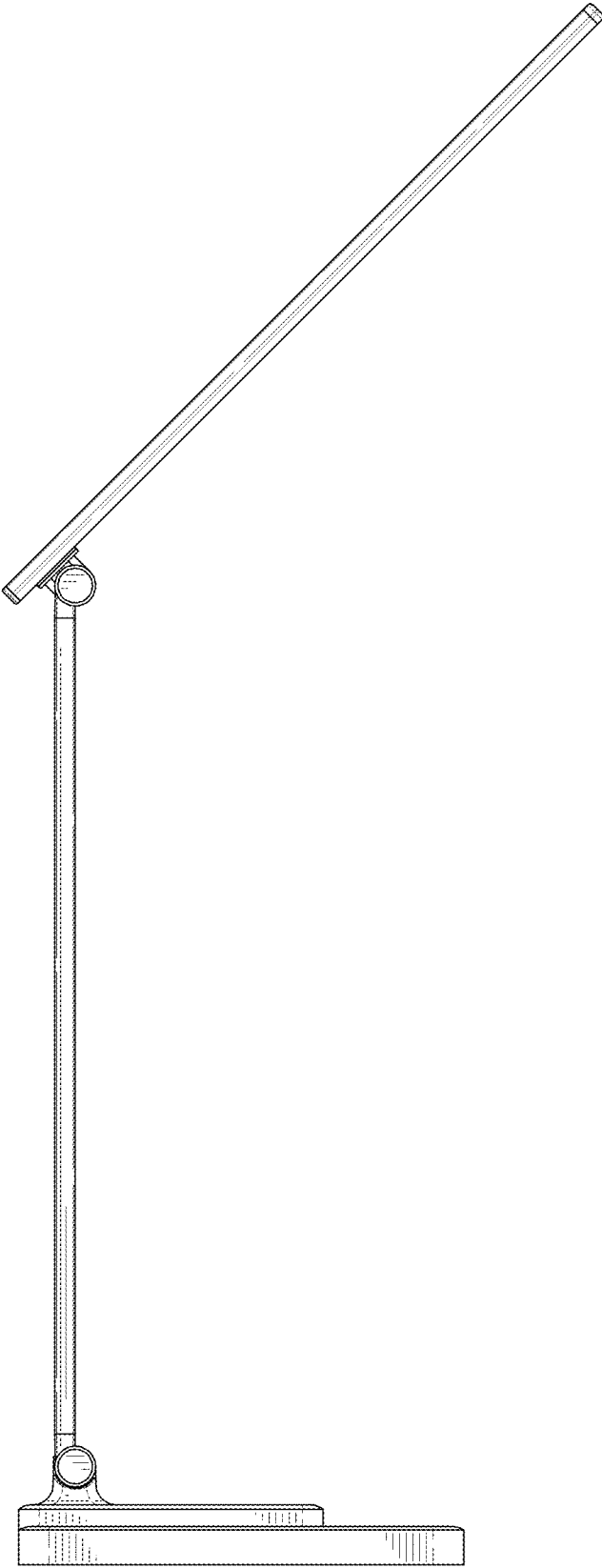


FIG. 5

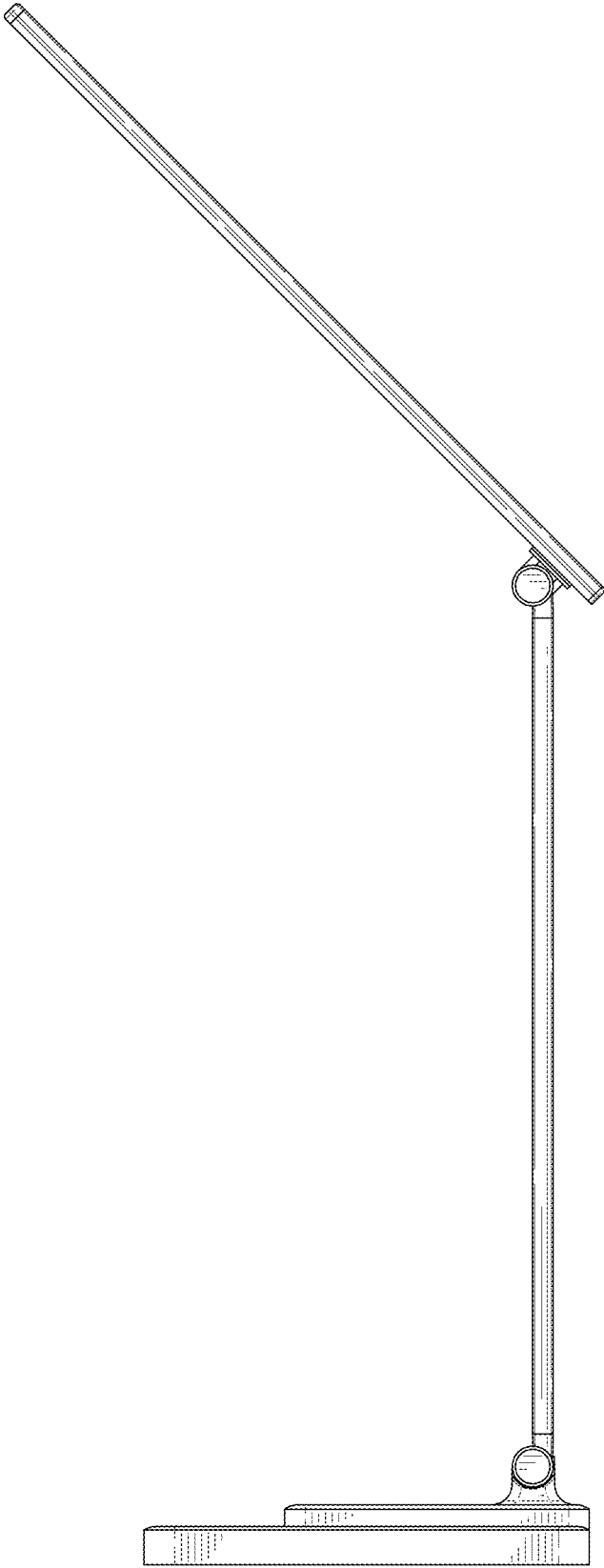


FIG. 6

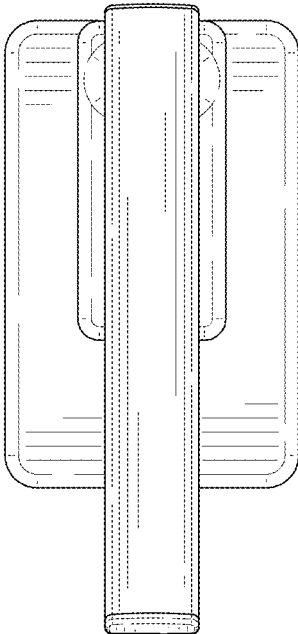


FIG. 7

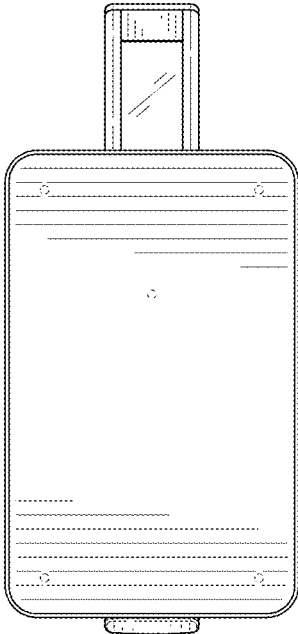


FIG. 8

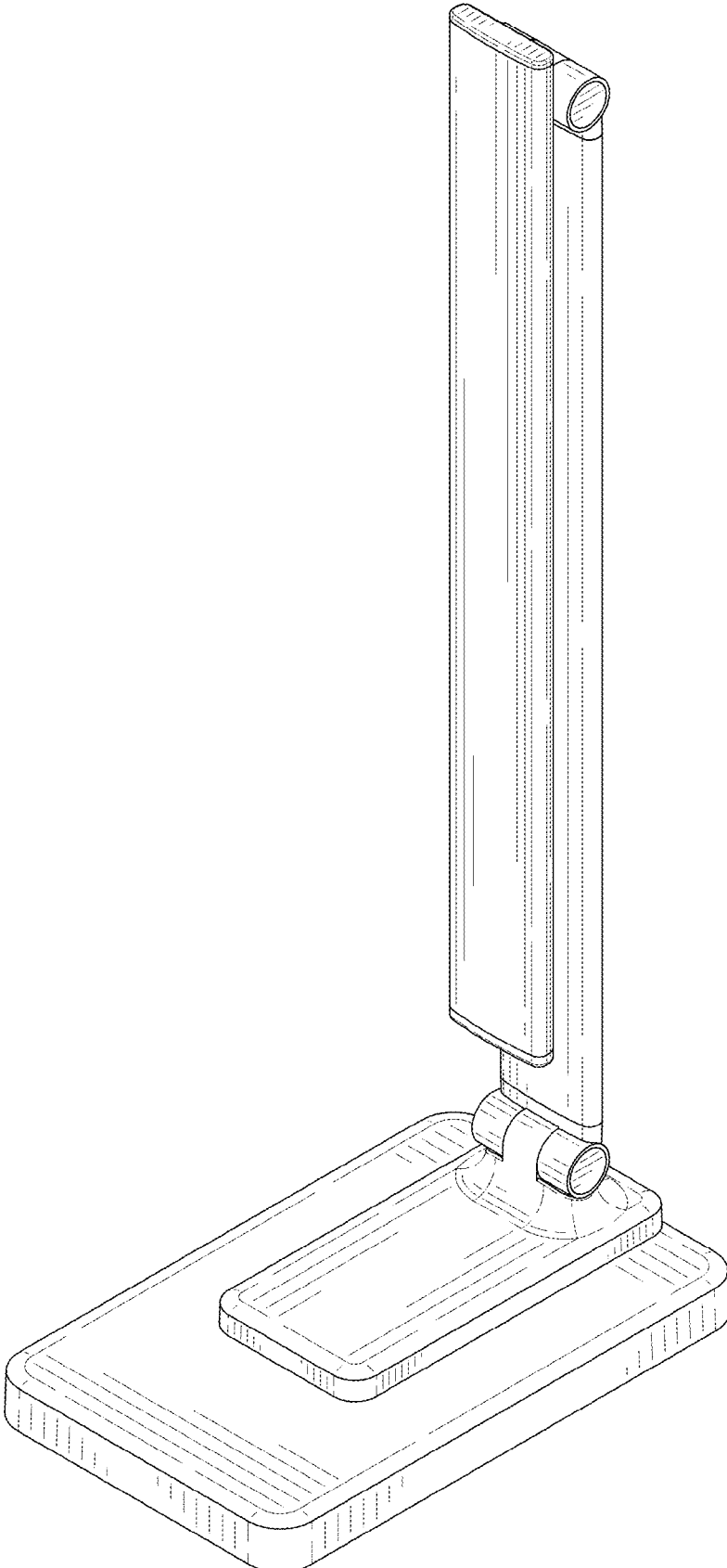


FIG. 9