



US00D742138S

(12) **United States Design Patent**  
**Chou**

(10) **Patent No.:** **US D742,138 S**

(45) **Date of Patent:** **\*\* Nov. 3, 2015**

- (54) **RAINBOW BLIND STRUCTURE**
- (71) Applicant: **Tser Wen Chou**, Taipei (TW)
- (72) Inventor: **Tser Wen Chou**, Taipei (TW)
- (\*\*) Term: **14 Years**
- (21) Appl. No.: **29/507,998**
- (22) Filed: **Oct. 31, 2014**
- (51) **LOC (10) Cl.** ..... **06-10**
- (52) **U.S. Cl.**  
USPC ..... **D6/580**
- (58) **Field of Classification Search**  
USPC ..... D6/575, 576, 577, 578, 579, 580, 581;  
D8/19, 349, 354, 363, 368, 369, 376,  
D8/387, 395, 399; 160/84.01, 84.02,  
160/84.03, 84.04, 84.05, 84.06, 84.07,  
160/84.08, 107, 108, 111, 113, 130, 133,  
160/166.1, 168.1 R, 330  
CPC ..... E06B 3/30; E06B 9/00; E06B 9/02;  
E06B 9/24; E06B 9/262; A47H 1/00; A47H  
1/02; A47H 21/00; A47H 23/00; A47H 23/02;  
A47H 23/04; A47H 2001/0205; A47H  
2023/025  
See application file for complete search history.

6,527,034	B1 *	3/2003	Liu	.....	160/177 R
6,582,794	B1 *	6/2003	Fransen	.....	428/101
D486,340	S *	2/2004	Sudano	.....	D6/577
D491,055	S *	6/2004	Chou	.....	D8/382
D530,558	S *	10/2006	Damiano	.....	D6/580
7,174,940	B2 *	2/2007	Nien	.....	160/120
7,438,115	B2 *	10/2008	Bohlen	.....	160/238
D592,944	S *	5/2009	Kollman et al.	.....	D8/376
D600,401	S *	9/2009	Varrin	.....	D26/138
D639,098	S *	6/2011	Bosgoed	.....	D6/580
D692,685	S *	11/2013	Chou	.....	D6/580
8,646,509	B2 *	2/2014	Chu	.....	160/123
2009/0205791	A1 *	8/2009	Sans Folch	.....	160/368.1
2012/0097346	A1 *	4/2012	Ng	.....	160/264
2014/0251558	A1 *	9/2014	Chou	.....	160/323.1
2014/0367052	A1 *	12/2014	Cha	.....	160/84.01
2015/0075726	A1 *	3/2015	Byun	.....	160/84.04

\* cited by examiner

*Primary Examiner* — Karen S Acker  
*Assistant Examiner* — Wendy Arminio  
(74) *Attorney, Agent, or Firm* — Guice Patents PLLC

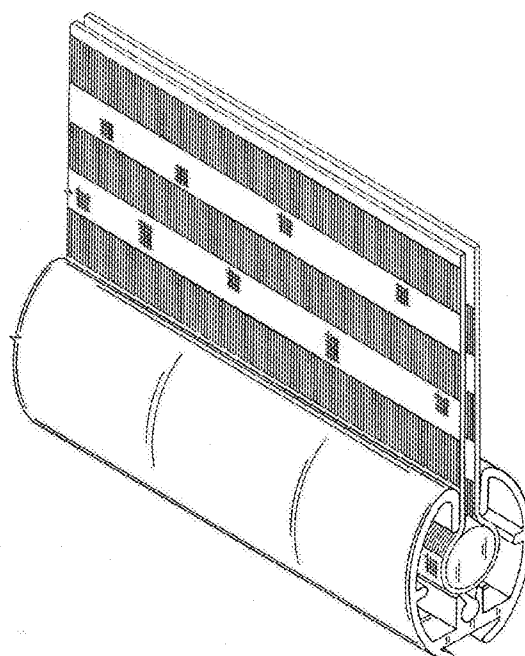
(57) **CLAIM**  
The ornamental design for a rainbow blind structure, as shown and described.

**DESCRIPTION**

FIG. 1 is a perspective view of a rainbow blind structure;  
FIG. 2 is a front view thereof;  
FIG. 3 is a rear view thereof;  
FIG. 4 is a left side view thereof;  
FIG. 5 is a right side view thereof;  
FIG. 6 is a top view thereof; and,  
FIG. 7 is a bottom view thereof.

**1 Claim, 4 Drawing Sheets**

- (56) **References Cited**  
U.S. PATENT DOCUMENTS  
2,029,675 A \* 2/1936 Schlamp ..... 160/121.1  
5,573,052 A \* 11/1996 Liu ..... 160/177 R  
6,095,222 A \* 8/2000 Voss ..... 160/84.05  
6,189,592 B1 \* 2/2001 Domel ..... 160/85  
6,279,642 B1 \* 8/2001 Liu ..... 160/177 R



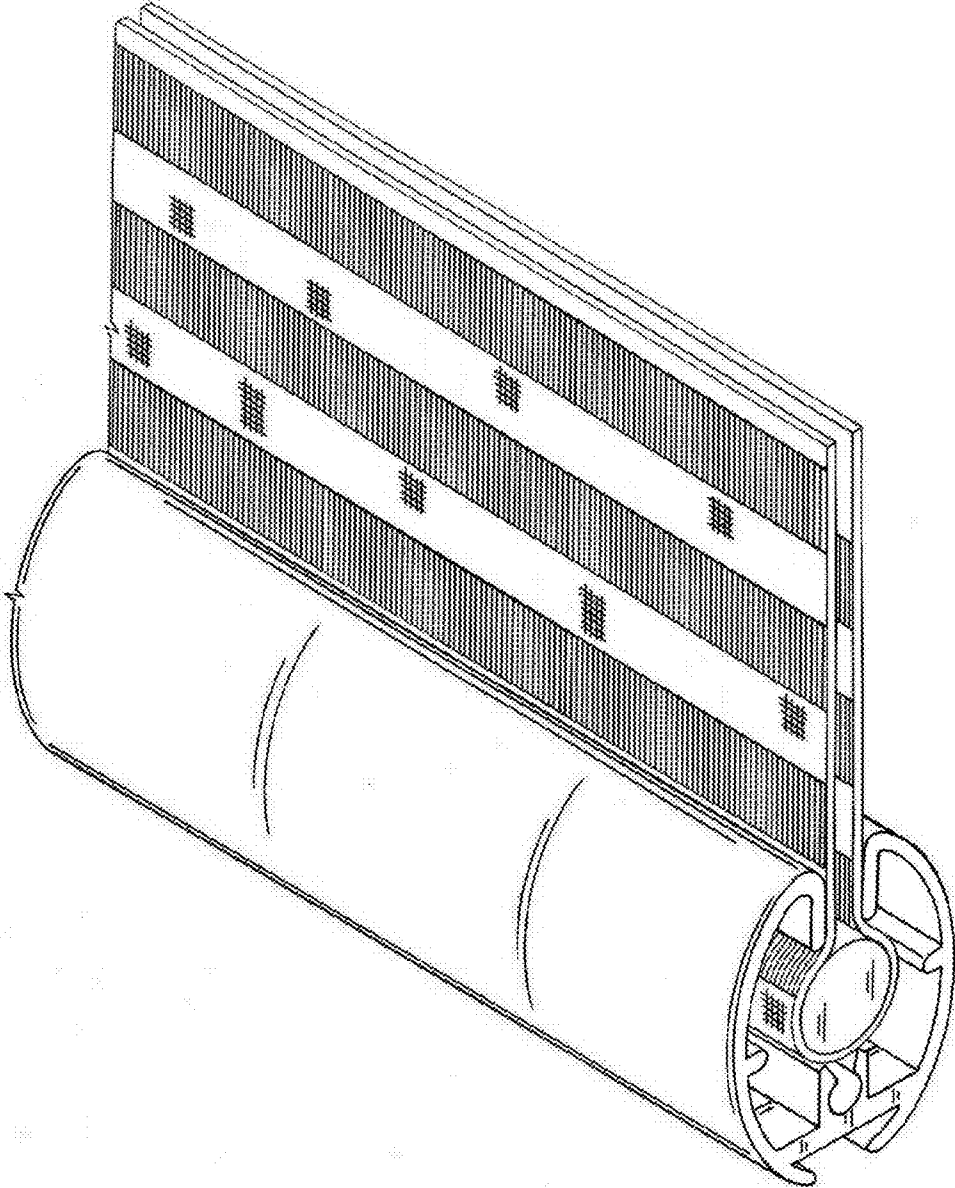


FIG.1

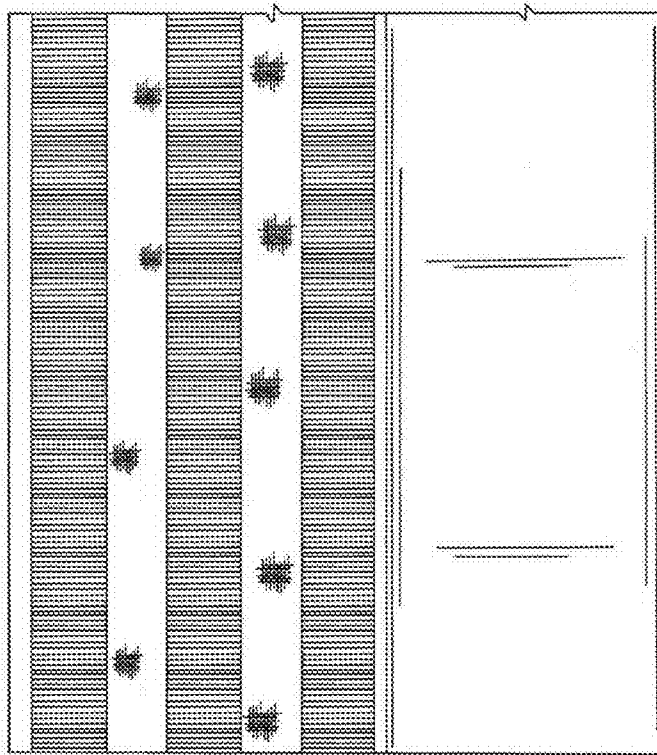


FIG.2

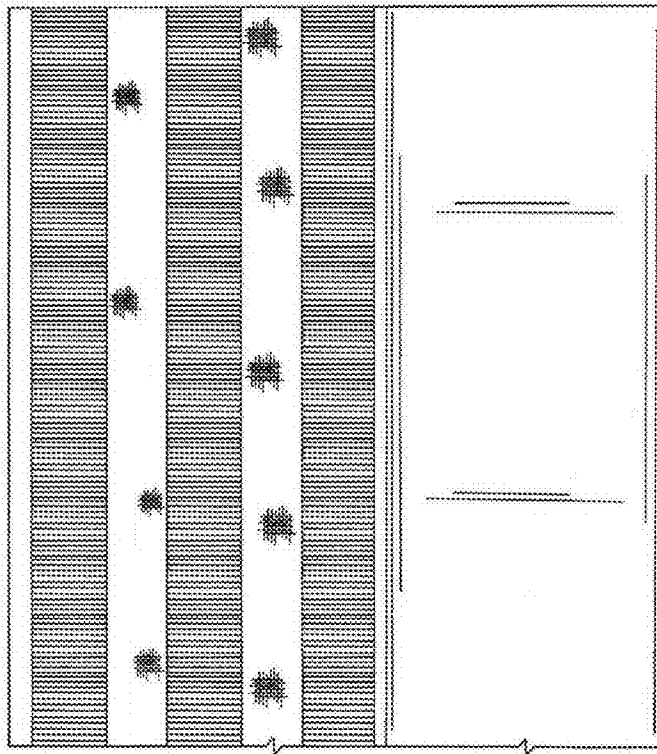


FIG.3

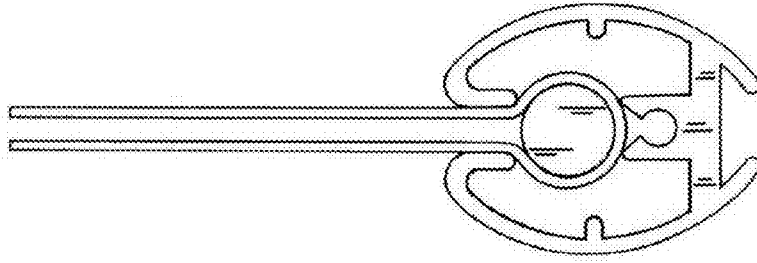


FIG. 5

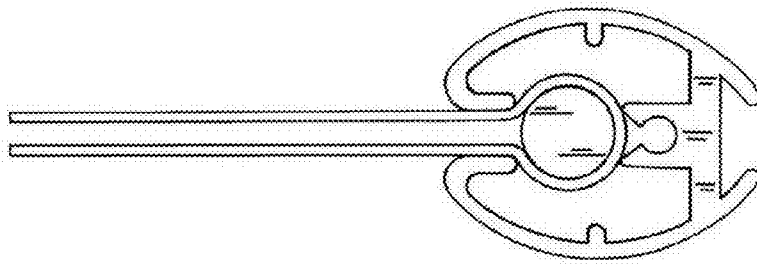


FIG. 4

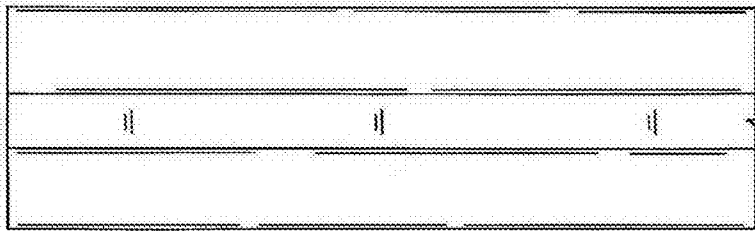


FIG. 7

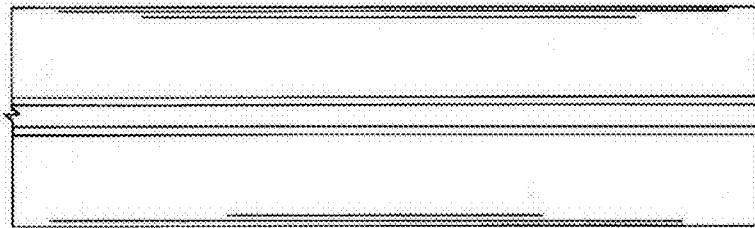


FIG. 6