



(51) International Patent Classification:

G01B 9/02 (2006.01) G01N 29/30 (2006.01)  
G01B 17/00 (2006.01) G02B 27/00 (2006.01)

(21) International Application Number:

PCT/US2009/044600

(22) International Filing Date:

20 May 2009 (20.05.2009)

(25) Filing Language:

English

(26) Publication Language:

English

(30) Priority Data:

61/054,803 20 May 2008 (20.05.2008) US  
12/468,165 19 May 2009 (19.05.2009) US

(71) Applicant (for all designated States except US): **IPHOTON SOLUTIONS LLC** [US/US]; 514 N. Beach Street, Fort Worth, TX 76111 (US).

(72) Inventors; and

(75) Inventors/Applicants (for US only): **DRAKE, Thomas, E.** [US/US]; 2530 Ryan Place Drive, Fort Worth, TX 76110 (US). **DUBOIS, Marc** [US/US]; 312 Foxcroft Lane, Keller, TX 76248 (US).

(74) Agents: **RAHMAN, Ashek et al.**; Storm LLP, 901 Main Street, Suite 7100, Dallas, TX 75202 (US).

(81) Designated States (unless otherwise indicated, for every kind of national protection available): AE, AG, AL, AM,

AO, AT, AU, AZ, BA, BB, BG, BH, BR, BW, BY, BZ, CA, CH, CN, CO, CR, CU, CZ, DE, DK, DM, DO, DZ, EC, EE, EG, ES, FI, GB, GD, GE, GH, GM, GT, HN, HR, HU, ID, IL, IN, IS, JP, KE, KG, KM, KN, KP, KR, KZ, LA, LC, LK, LR, LS, LT, LU, LY, MA, MD, ME, MG, MK, MN, MW, MX, MY, MZ, NA, NG, NI, NO, NZ, OM, PG, PH, PL, PT, RO, RS, RU, SC, SD, SE, SG, SK, SL, SM, ST, SV, SY, TJ, TM, TN, TR, TT, TZ, UA, UG, US, UZ, VC, VN, ZA, ZM, ZW.

(84) Designated States (unless otherwise indicated, for every kind of regional protection available):

ARIPO (BW, GH, GM, KE, LS, MW, MZ, NA, SD, SL, SZ, TZ, UG, ZM, ZW), Eurasian (AM, AZ, BY, KG, KZ, MD, RU, TJ, TM), European (AT, BE, BG, CH, CY, CZ, DE, DK, EE, ES, FI, FR, GB, GR, HR, HU, IE, IS, IT, LT, LU, LV, MC, MK, MT, NL, NO, PL, PT, RO, SE, SI, SK, TR), OAPI (BF, BJ, CF, CG, CI, CM, GA, GN, GQ, GW, ML, MR, NE, SN, TD, TG).

Published:

- with international search report (Art. 21(3))
- before the expiration of the time limit for amending the claims and to be republished in the event of receipt of amendments (Rule 48.2(h))

(88) Date of publication of the international search report:  
11 March 2010

(54) Title: ADJUSTABLE INTERFEROMETER FOR LASER ULTRASONIC MEASUREMENT

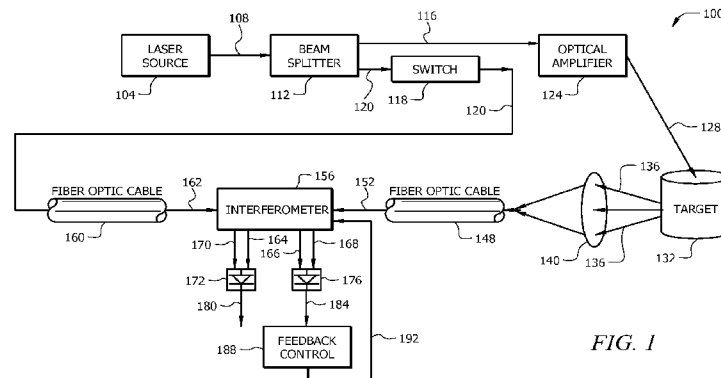
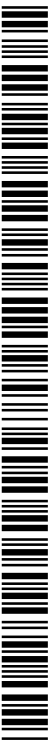


FIG. 1

(57) Abstract: An interferometer includes a cavity including a pair of mirrors defining a cavity length. An input beam and a counter-propagating reference beam are directed into the cavity. The interferometer generates a feedback control signal and an ultrasound signal for optimal performance and measurement of a target, respectively.



## INTERNATIONAL SEARCH REPORT

International application No.  
**PCT/US2009/044600****A. CLASSIFICATION OF SUBJECT MATTER***G01B 9/02(2006.01)i, G01B 17/00(2006.01)i, G01N 29/30(2006.01)i, G02B 27/00(2006.01)i*

According to International Patent Classification (IPC) or to both national classification and IPC

**B. FIELDS SEARCHED**

Minimum documentation searched (classification system followed by classification symbols)

G01B 9/02; G01B 11/02; G01N 21/00

Documentation searched other than minimum documentation to the extent that such documents are included in the fields searched

Korean utility models and applications for utility models since 1975.  
Japanese utility models and applications for utility models since 1975.

Electronic data base consulted during the international search (name of data base and, where practicable, search terms used)

eKOMPASS(KIPO internal) &amp; Keywords: interferometer, ultrasonic, detect, feedback, cavity, mirror

**C. DOCUMENTS CONSIDERED TO BE RELEVANT**

Category*	Citation of document, with indication, where appropriate, of the relevant passages	Relevant to claim No.
A	US 2002-0186380 A1 (THOMAS E. DRAKE) 12 December 2002 See the entire documents	1-37
A	US 6633384 B1 (DRAKE, JR.; THOMAS E. et al.) 14 October 2003 See the entire documents	1-37
A	US 5585921 A1 (PEPPER; DAVID M. et al.) 17 December 1996 See the entire documents	1-37

 Further documents are listed in the continuation of Box C. See patent family annex.

\* Special categories of cited documents:

"A" document defining the general state of the art which is not considered to be of particular relevance

"E" earlier application or patent but published on or after the international filing date

"L" document which may throw doubts on priority claim(s) or which is cited to establish the publication date of citation or other special reason (as specified)

"O" document referring to an oral disclosure, use, exhibition or other means

"P" document published prior to the international filing date but later than the priority date claimed

"T" later document published after the international filing date or priority date and not in conflict with the application but cited to understand the principle or theory underlying the invention

"X" document of particular relevance; the claimed invention cannot be considered novel or cannot be considered to involve an inventive step when the document is taken alone

"Y" document of particular relevance; the claimed invention cannot be considered to involve an inventive step when the document is combined with one or more other such documents, such combination being obvious to a person skilled in the art

"&amp;" document member of the same patent family

Date of the actual completion of the international search

23 DECEMBER 2009 (23.12.2009)

Date of mailing of the international search report

**28 DECEMBER 2009 (28.12.2009)**

Name and mailing address of the ISA/KR

Korean Intellectual Property Office  
Government Complex-Daejeon, 139 Seonsa-ro, Seo-gu, Daejeon 302-701, Republic of Korea

Facsimile No. 82-42-472-7140

Authorized officer

CHUNG, Sang Tae

Telephone No. 010-9908-9225



**INTERNATIONAL SEARCH REPORT**

Information on patent family members

International application No.

**PCT/US2009/044600**

Patent document cited in search report	Publication date	Patent family member(s)	Publication date
US 2002-0186380 A1	12. 12. 2002	AT 287585 T	15. 02. 2005
		AU 779998 B2	24. 02. 2005
		AU 7982500 A	09. 01. 2001
		CA 2366590 C	02. 09. 2008
		CA 2366590-A1	28. 12. 2000
		DE 60017576 D1	24. 02. 2005
		DE 60017576 T2	22. 12. 2005
		EP 1208621 A2	29. 05. 2002
		EP 1208621 B1	19. 01. 2005
		JP 2003-502875 T	21. 01. 2003
		JP 2007-295013 A	08. 11. 2007
		TW 451537 B	21. 08. 2001
		US 2002-186380 A1	12. 12. 2002
		US 6483859 B1	19. 11. 2002
		US 7286241 B2	23. 10. 2007
		WO 00-79656A2	28. 12. 2000
		WO 00-79656A3	19. 07. 2001
US 6633384 B1	14. 10. 2003	US 2004-027578 A1	12. 02. 2004
		US 6633384 B1	14. 10. 2003
		US 7463363 B2	09. 12. 2008
US 5585921 A1	17. 12. 1996	None	