



(22) **Date de dépôt/Filing Date:** 2017/12/04

(41) **Mise à la disp. pub./Open to Public Insp.:** 2018/06/22

(45) **Date de délivrance/Issue Date:** 2020/08/25

(30) **Priorité/Priority:** 2016/12/22 (US15/387,876)

(51) **Cl.Int./Int.Cl.** **A47J 37/07** (2006.01),
A47J 36/00 (2006.01), **F16B 1/00** (2006.01),
F24C 15/12 (2006.01)

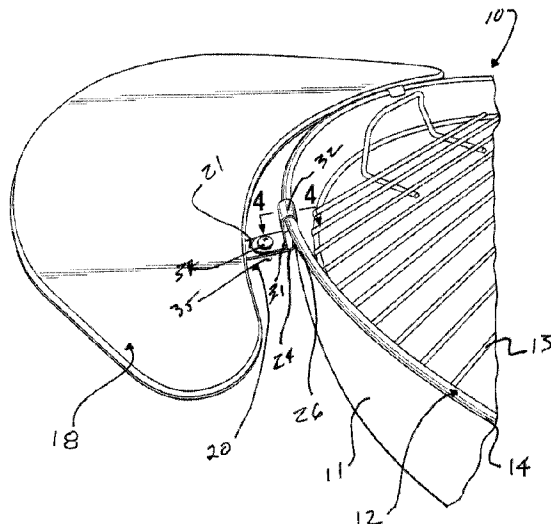
(72) **Inventeurs/Inventors:**
POLACZEK, KAROL, US;
SIAZON, ROMUALDO SONNY, US

(73) **Propriétaire/Owner:**
WEBER-STEPHEN PRODUCTS LLC, US

(74) **Agent:** FINLAYSON & SINGLEHURST

(54) **Titre :** PINCE ACCESSOIRE DESTINEE A UN GRILL

(54) **Title :** ACCESSORY CLAMP FOR GRILL



(57) **Abrégé/Abstract:**

A clamp for securing a side table or other accessory to a grill, the grill having a grill body and an upper rim and a rolled lip creating a downwardly facing exterior recess, without modifying or damaging the grill is provided. A hook portion of a hanger member of the clamp engages the rolled lip. A base member of the clamp, having a lateral portion with a grill attachment end with an upwardly extending flange terminating in an upper edge, fits within the exterior recess of the rim. The hanger member, having a base portion and a vertical portion which includes the hook portion, is securable to the base member such that the clamp may be secured to the grill. The side table, or other accessory, may be releasably attached at an accessory support end of the base member of the clamp.

ABSTRACT OF THE INVENTION

A clamp for securing a side table or other accessory to a grill, the grill having a grill body and an upper rim and a rolled lip creating a downwardly facing exterior recess, without modifying or damaging the grill is provided. A hook portion of a hanger member of the clamp engages the
5 rolled lip. A base member of the clamp, having a lateral portion with a grill attachment end with an upwardly extending flange terminating in an upper edge, fits within the exterior recess of the rim. The hanger member, having a base portion and a vertical portion which includes the hook portion, is securable to the base member such that the clamp may be secured to the grill. The side table, or other accessory, may be releasably attached at an accessory support end of the base
10 member of the clamp.

ACCESSORY CLAMP FOR GRILL**FIELD OF THE INVENTION**

The present invention relates to clamps for use on articles such as a grill. More particularly, the present invention relates to clamps that easily and releasably attach a side table or other accessory to a grill or other article without the need to modify, damage or otherwise alter the body
5 of the grill.

BACKGROUND OF THE INVENTION

The use of gas and charcoal grills is extremely popular. Many users desire the convenience of a side table or other accessories to hold food, plates, cooking utensils and the like. Many grills are available with stands or carts for such purposes, either as part of the grill purchased or as after-
10 market accessories. However, some users may not have the space available for typical carts and/or stands that are on the market. Other users may find the carts and/or stands too expensive for their budget. Thus, there is a need for a low cost and effective way to connect a side table or other accessory to a grill.

It is also important that the integrity of the grill not be compromised. For example, many
15 users do not desire to drill holes in their grills for safety, longevity and aesthetic reasons. Similarly, many users do not want to scratch or otherwise mar the exterior finish of their grill. In addition, many users desire that the shelf or other accessory attached to the grill be removable if its use is not desired or the user desires to transport the grill to other locations. Thus, there is also a need to removably secure a side table or other accessory to a grill without damaging or modifying the grill
20 itself.

SUMMARY OF THE INVENTION

The present invention preserves the advantages of known clamps and also provide new features and advantages.

Accordingly, an aspect of the present invention seeks to provide a clamp to secure a side table or other accessory to a grill or other article.

An additional aspect of the present invention seeks to provide a clamp that does not require the modification of the grill.

5 Another aspect of the present invention seeks to provide a clamp that does not scratch or otherwise mar the finish of the grill.

A further aspect of the present invention seeks to provide a clamp that is easy to attach to and remove from the grill.

10 Still another aspect of the present invention seeks to provide a clamp that is inexpensive and can be used on a variety of articles or grill types and support a variety of accessories.

In accordance with a preferred embodiment of the present invention, a clamp for securing an accessory to the exterior of a grill is provided. The grill typically includes a grill body, an upper rim and a rolled lip creating a downwardly facing exterior recess. The preferred clamp includes a base member, the base member having a lateral portion with a grill attachment end and an
15 accessory support end, the grill attachment end having an upwardly extending flange terminating in an upper edge. A hanger member securable to the base member is also provided. The hanger member includes a base portion and a vertical portion, the vertical portion including a hook portion, wherein the upper edge of the base member fits within the exterior recess on the rim of the grill and the hook portion of the hanger member engages the rolled lip of the rim of the grill.
20 A bolt and a wing nut may be used to secure the hanger member to the base member and thus, to the grill. The accessory secured by the clamp may be a side table or other accessory, which may be secured to the accessory support end of the base member.

The present invention also seeks to provide for a clamp used to secure an accessory to an article, the article having an upper rim and a rolled lip creating an exterior recess. The clamp includes a base member having a lateral portion, one end of the lateral portion being an accessory support end and the other end being the article attachment end, the article attachment end including an upwardly extending flange and an upper edge, the upper edge capable of engaging the exterior recess of the rolled lip of the article. Also included is a hanger member, the hanger member having a base portion that is parallel to the lateral portion capable of engaging the rolled lip of the rim of the article. A bolt and nut may be used to secure the hanger portion to the base portion, whereby the clamp is secured to the exterior of the article. In a preferred embodiment, the article is a grill and the accessory is a side table.

In a broad aspect, the present invention pertains to a clamp for securing an accessory to the exterior of a grill. The grill has a grill body, an upper rim and a rolled lip creating a downwardly facing exterior recess. The clamp comprises a base member, the base member having a lateral portion with a grill attachment end and an accessory support end. The lateral portion of the base member includes an attachment hole, the accessory support end extending laterally outward from the grill body. The grill attachment end has an upwardly extending flange terminating in an upper edge wherein the grill attachment end engages the grill body. There is provided a hanger member, the hanger member having a base portion and a vertical portion. The base portion of the hanger member is parallel to the lateral portion of the grill attachment end of the base

member and includes an attachment hole, and the vertical portion includes a downwardly facing hook portion, the shape of which substantially conforms to the shape of the rolled rim of the grill body. The base portion is securable to and mates with the lateral portion of the base member between the vertical portion and the accessory. A securing member extends through the attachment hole in the base member and the attachment hole in the hanger member to securely attach the base member to the hanger member. The upper edge of the base member fits and is engaged within the exterior recess on the rim of the grill body and a hook portion of the hanger member engages the rolled lip of the rim of the grill body such that the clamp cannot be removed from the grill body without at least partially unsecuring the base member from the hanger member.

In a further aspect, the present invention provides a clamp for securing an accessory to an article. The article has an upper rim and a rolled lip creating a downwardly facing exterior recess. The clamp comprises a base member having a lateral portion, one end of the lateral portion being an accessory support end and the other end being an article attachment end. The lateral portion of the base member includes an attachment hole, and the article attachment end includes an upwardly extending flange and terminates in an upper edge. The upper edge fits within and is engaged by the downwardly facing exterior recess of the rolled lip of the article. The article attachment end extends laterally outward and generally horizontal from the article parallel to the ground. A hanger member is securable to the base member, the hanger member having a base portion that is parallel to the lateral portion of the base member, and there is a

vertical portion having an upper hook portion. The base portion of the hanger member includes an attachment hole, the upper hook portion having a shape substantially conforming to and capable of engaging the rolled lip of the rim of the article. A bolt and nut extends through the attachment hole in the lateral portion of the base member and the attachment hole in the base portion of the hanger member, to secure the hanger portion to the base portion, whereby the clamp is secured to the exterior of the article by the upper hook portion and the upwardly extending flange.

INVENTORS' DEFINITION OF THE TERMS

The terms used in the claims of this patent are intended to have their broadest meaning consistent with the requirements of law. Where alternative meanings are possible, the broadest meaning is intended. All words used in the claims are intended to be used in the normal, customary usage of grammar and the English language.

BRIEF DESCRIPTION OF THE DRAWINGS

The stated and unstated aspects, features and advantages of the present invention will become apparent from the following descriptions and drawings, wherein like reference numerals represent like elements in the various views, and in which:

Figure 1 is a perspective view of a preferred embodiment of the clamp of the present invention shown attached to a representative grill and supporting a representative accessory such as a side table;

Figure 2 is an exploded perspective view showing the components of a preferred embodiment of the clamp of the present invention;

Figure 3 is a perspective view of the clamp of Figure 2 shown in an assembled condition;

Figure 4 is a side elevational view of a preferred clamp of the present invention shown
5 installed on a representative grill and with a side table attached as the accessory, taken along line 4-4 of Figure 1;

Figure 5 is a top perspective view showing installation of a preferred clamp of the present invention on a representative grill supporting a representative side table.

DETAILED DESCRIPTION OF PREFERRED EMBODIMENTS

10 Set forth below is a description of what is currently believed to be the preferred embodiments or best representative examples of the invention claimed. Future and present alternatives and modifications to the embodiments and preferred embodiments are contemplated. Any alternatives or modifications which make insubstantial changes in function, purpose, structure or result are intended to be covered by the claims of this patent.

15 A preferred clamp 20 of the present invention is shown Figure 1 installed on a representative grill 10. The grill 10 includes a generally bowl shaped grill body 11 terminating in an upper rim 12. The inside of the grill body supports a cooking grate 13. Upper rim 12 includes an exterior facing rolled lip 14 that creates an exterior recess 15 which faces downward (see Figure 4). Clamp 20 is shown supporting a representative accessory 18, here a side table.

20 Clamp 20 is shown installed on a typical Weber kettle® grill manufactured and sold by Weber-Stephen Products LLC. It will be understood by those of skill in the art that clamp 20 of the present invention may be used on a wide variety of charcoal, gas or electric grills, or even other appliances or articles. In addition, clamp 20 is shown supporting a side table as accessory 18. It

will be understood by those of skill in the art that a wide variety of accessories, such as shelves, hooks and the like, may be attached to grill 10 with clamp 20.

A preferred embodiment of clamp 20 may be seen by reference to Figures 2, 3 and 4. Clamp 20 includes a base member 21 and a hanger member 22. Base member 21 includes a lateral
5 portion 23. Lateral portion 23 further includes a grill attachment end 24 and an accessory support end 25. Grill attachment end 24 is proximal grill body 11 and accessory support end 25 extends distally from grill body 11. In a preferred embodiment, the lateral portion 23 extends outwardly from grill body 11 so that it is generally parallel to the ground or other support surface of the grill
10 member 21 may be used depending upon the desired orientation of the accessory 18 that is attached to grill 10.

Grill attachment end 24 of lateral portion 23 of base member 21 includes an upwardly extending flange 26 terminating in an upper edge 27. In a preferred embodiment, upwardly extending flange 26 is at a generally right angle to lateral portion 23. Upwardly extending flange
15 26 terminates in an upper edge 27. Lateral portion 23 of base member 21 also includes an attachment hole 28 near the proximal end and one or more bores 29 at its distal end so that it may be secured to hanger member 22 as hereinafter described.

Preferred hanger member 22 includes a base portion 30, a generally vertical portion 31 and a hook portion 32. Base portion 30 may include an attachment hole 33 that aligns with attachment
20 hole 28 of lateral portion 23 of base member 21. An assembly bolt 34 and a wing nut 35 are also provided in the preferred embodiment.

To install clamp 20 to support accessory 18, the accessory or table 18 is attached to accessory support end 25 of base member 21 as shown in Figure 4. A screw or bolt 19 may be

used to secure accessory 18 to base member 21 through a hole or holes 29 on accessory attachment end 25. It will be understood by those of skill in the art that other methods of attaching accessory 18 to base member 21 may be used, including adhesives, nails or other forms of attachment.

The attachment of clamp 20 to grill body 11 is best seen by reference to Figures 1, 4 and 5. Specifically, the upper edge 27 of upwardly extending flange 26 of base member 21 is inserted into the exterior recess 15 created by rolled lip 14 of upper rim 12. This prevents the downward rotation of base member 21. The hook portion 32 of hanger member 22 is placed over rolled lip 14. Hanger member 22 is then secured to base member 21 using assembly bolt 34 and wing nut 35 which passes through connecting bore 28 of base member 21 and bore 33 of hanger member 22. In this manner, clamp 20 secures accessory 18 to grill 11 without the need for holes or other modifications to the grill.

In practice, the preferred installation of clamp 20 on grill 11 is best shown in Figure 5. Hanger member 22 is loosely attached to base member 21 with bolt 34 and wing nut 35. The upper edge 27 of upwardly extending flange 26 is inserted into the exterior recess 15 of rolled lip 14. Hanger member 22 is then rotated over rolled lip 14 until hook portion 32 engages the rolled lip 14. The base member 21 and hanger member 22 are then firmly secured using bolt 34 and wing nut 35. In this manner, the accessory 18 is securely yet removably secured to grill 10 via clamp 20 without altering the grill body.

It will be understood by those of skill in the art that clamp 20 and its components may be made from a variety of materials, such as steel, stainless steel or plastic, as long as the material is capable of withstanding the heat generated by the grill. In addition, those portions of clamp 20 that come in contact with the grill may be covered in silicone or some other temperature resistant material to avoid scratching or otherwise damaging the finish of the grill.

The above description is not intended to limit the meaning of the words used in or the scope of the following claims that define the invention. Rather, it is contemplated that future modifications in structure, function or result will exist that are not substantial changes and that all such insubstantial changes in what is claimed are intended to be covered by the claims. Thus, while preferred embodiments of the present invention have been illustrated and described, it will be understood that changes and modifications can be made without departing from the claimed invention. In addition, although the term "claimed invention" or "present invention" is sometimes used herein in the singular, it will be understood that there is a plurality of embodiments of the invention as described and claimed.

10 Various features of the present invention are set forth in the following claims.

WHAT IS CLAIMED IS:

1. A clamp for securing an accessory to the exterior of a grill, the grill having a grill body, an upper rim and a rolled lip creating a downwardly facing exterior recess, the clamp comprising:

a base member, the base member having a lateral portion with a grill attachment end and an accessory support end, the lateral portion of the base member including an attachment hole, the accessory support end extending laterally outward from the grill body, the grill attachment end having an upwardly extending flange terminating in an upper edge wherein the grill attachment end engages the grill body;

a hanger member, the hanger member having a base portion and a vertical portion, the base portion of the hanger member being parallel to the lateral portion of the grill attachment end of the base member, the base portion of the hanger member including an attachment hole, and the vertical portion including a downwardly facing hook portion, the shape of which substantially conforms to the shape of the rolled rim of the grill body, and the base portion securable to and mating with the lateral portion of the base member between the vertical portion and the accessory;

a securing member extending through the attachment hole in the base member and the attachment hole in the hanger member to securely attach the base member to the hanger member; and

wherein the upper edge of the base member fits and is engaged within the exterior recess on the rim of the grill body and a hook portion of the hanger member engages the rolled lip of the rim of the grill body such that said clamp cannot be removed from said grill body without at least partially unsecuring the base member from the hanger member.

2. The clamp of Claim 1 wherein the securing member comprises a bolt and a wing nut to secure the hanger member to the base member.

3. The clamp of Claim 1 wherein the accessory is a side table.

4. The clamp of Claim 3 wherein the side table is secured to the accessory support end of the base member.

5. A clamp for securing an accessory to an article, the article having an upper rim and a rolled lip creating a downwardly facing exterior recess, the clamp comprising:

a base member having a lateral portion, one end of the lateral portion being an accessory support end and the other end being an article attachment end, the lateral portion of the base member including an attachment hole, the article attachment end including an upwardly extending flange and terminating in an upper edge, the upper edge fitting within and being engaged by the downwardly facing exterior recess of the rolled lip of the article, the article attachment end extending laterally outward and generally horizontal from the article parallel to the ground;

a hanger member securable to the base member, the hanger member having a base portion that is parallel to the lateral portion of the base member and a vertical portion having an upper hook portion, the base portion of the hanger member including an attachment hole, the upper hook portion having a shape substantially conforming to and capable of engaging the rolled lip of the rim of the article; and,

a bolt and nut extending through the attachment hole in the lateral portion of the base member and the attachment hole in the base portion of the hanger member to secure the hanger portion to the base portion, whereby the clamp is secured to the exterior of the article by the upper hook portion and the upwardly extending flange.

6. The clamp of Claim 5 wherein the article is a grill.

7. The clamp of Claim 6 wherein the accessory is a side table.

Fig. 1

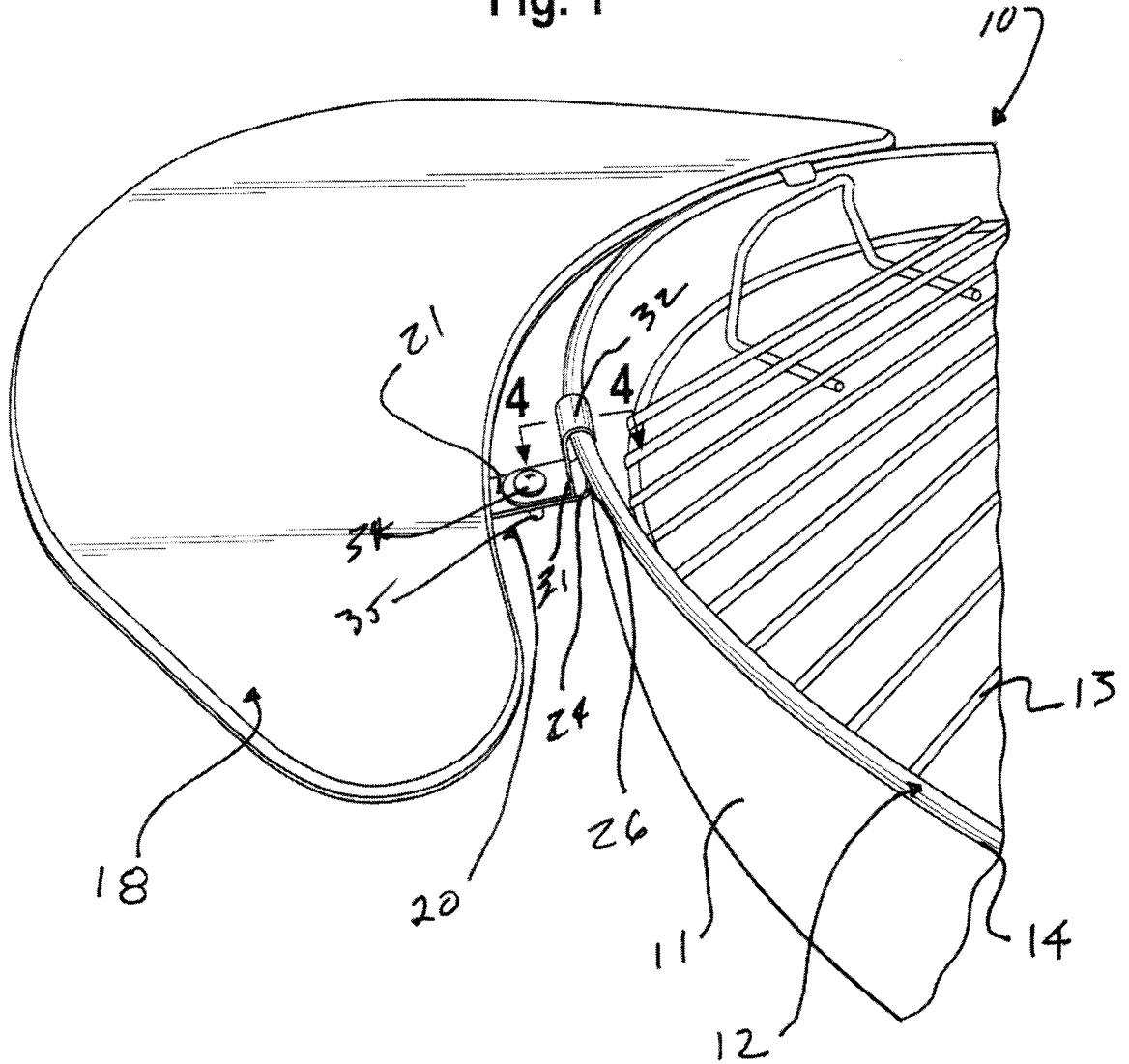


Fig. 2

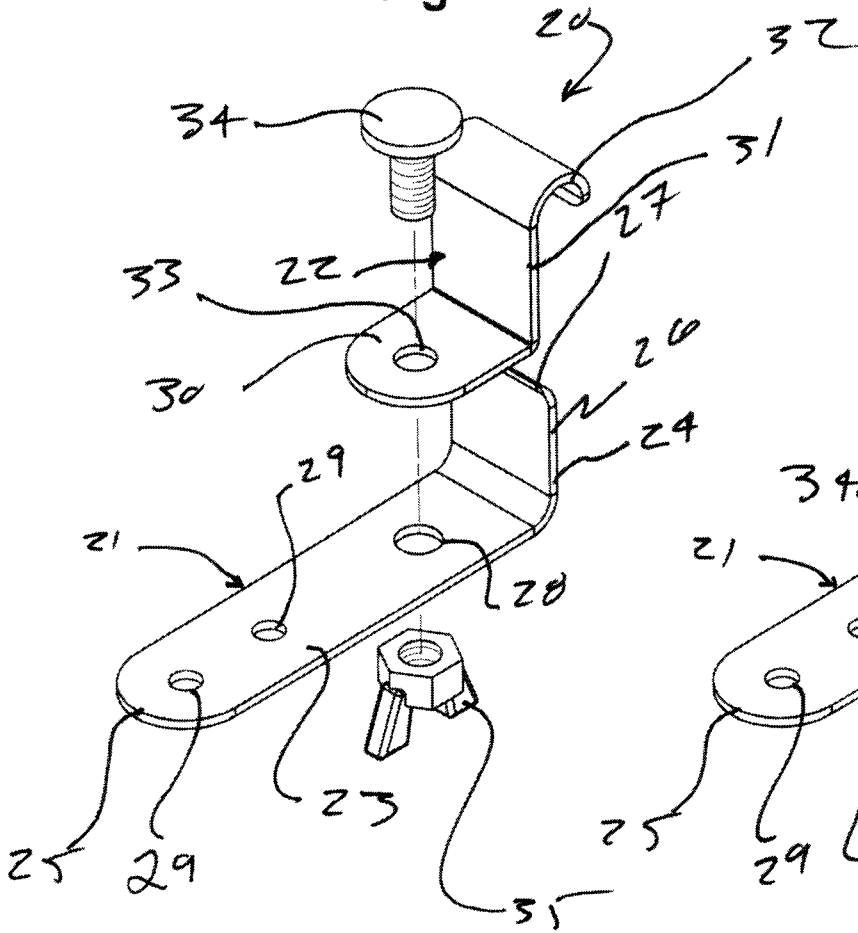
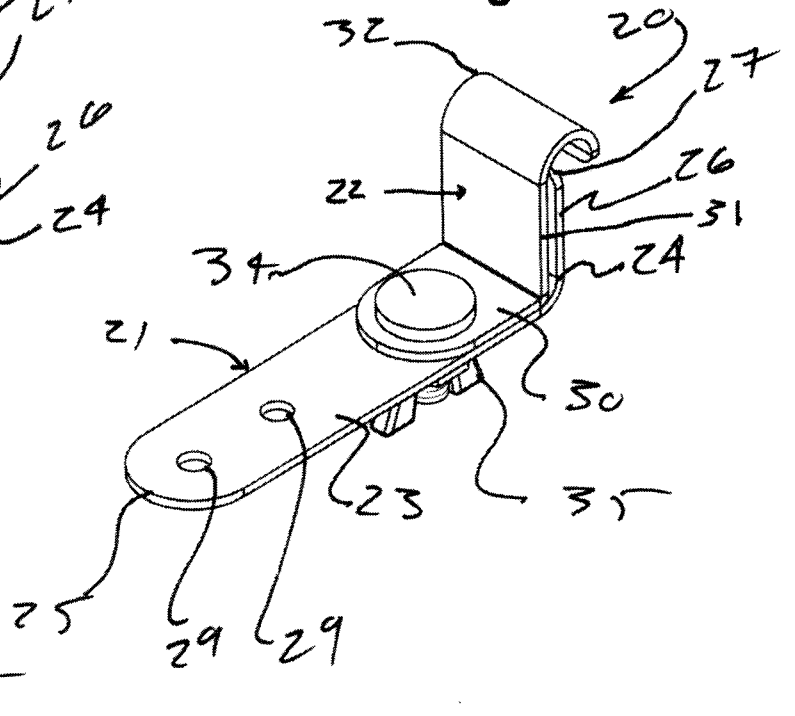


Fig. 3



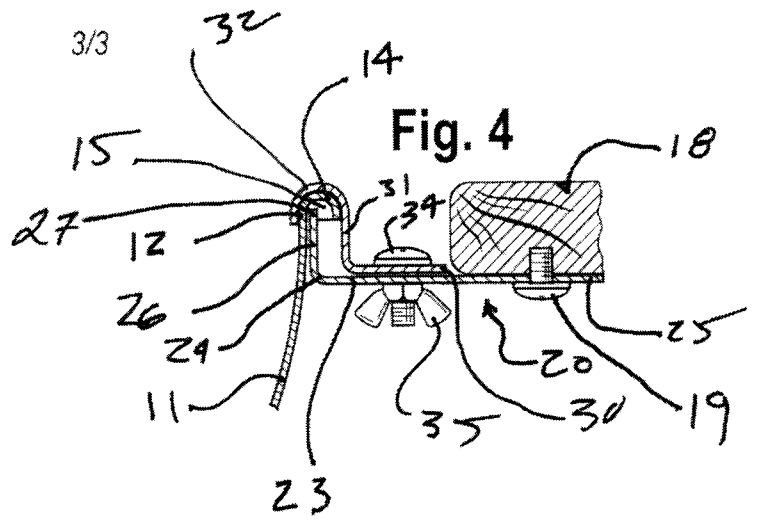


Fig. 5

