

[54] KNIFE BLADE CONTAINER

[75] Inventor: C. Kenard Roberts, Clinton, Conn.

[73] Assignee: The Stanley Works, New Britain, Conn.

[\*\*] Term: 14 Years

[21] Appl. No.: 876,906

[22] Filed: Jun. 20, 1986

[52] U.S. Cl. .... D9/425

[58] Field of Search ..... D9/342, 414, 340, 418, D9/424, 425, 423, 432, 455; D7/70, 73, 137; D8/93; D28/73; 206/349-360, 470, 228, 382, 564, 364, 1.5, 822, 207, 208; 220/339, 356; 229/87 J

[56] References Cited

U.S. PATENT DOCUMENTS

D. 53,367	5/1919	Kaniff .....	D9/423
D. 239,696	4/1976	Glaberson .....	D9/342
1,501,528	7/1924	Davis .....	206/228
1,632,840	6/1927	Kaufman .....	206/228
2,408,222	3/1944	Muros .	
2,844,244	7/1958	Hanson .	
3,082,903	11/1960	Stevens et al. .	
3,339,781	3/1965	Schurman et al. .	
3,463,309	8/1969	Szostek .	

3,511,433	5/1970	Andrews et al. .	
3,954,179	5/1976	Warmath .	
4,169,531	10/1979	Wood .	
4,339,041	7/1982	Roberts et al. ....	206/822
4,574,951	3/1986	Weaver .	

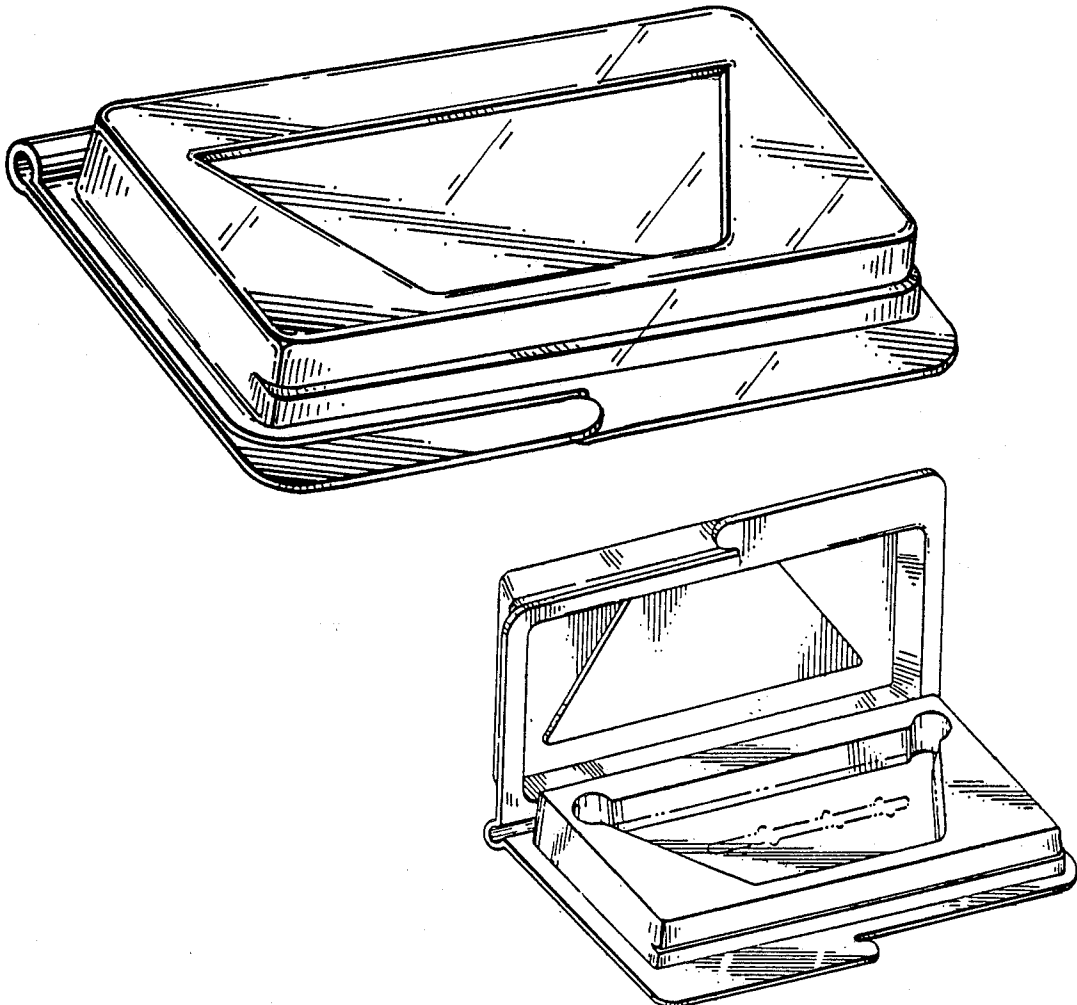
Primary Examiner—Bernard Ansher  
Assistant Examiner—Prabhakar Deshmukh

[57] CLAIM

The ornamental design for a knife blade container, as shown and described.

DESCRIPTION

FIG. 1 is a perspective view of a knife blade container showing my new design;  
 FIG. 2 is a top plan view thereof;  
 FIG. 3 is a left side elevation thereof, the right side elevation is a mirror image of the left side elevation shown;  
 FIG. 4 is a bottom plan view thereof;  
 FIG. 5 is a rear elevation thereof;  
 FIG. 6 is a perspective view thereof, shown in open position; and  
 FIG. 7 is a top plan view thereof, shown in open position.  
 The broken lines of a knife blade shown in FIG. 6 is for illustrative purposes only and forms no part of claimed design.



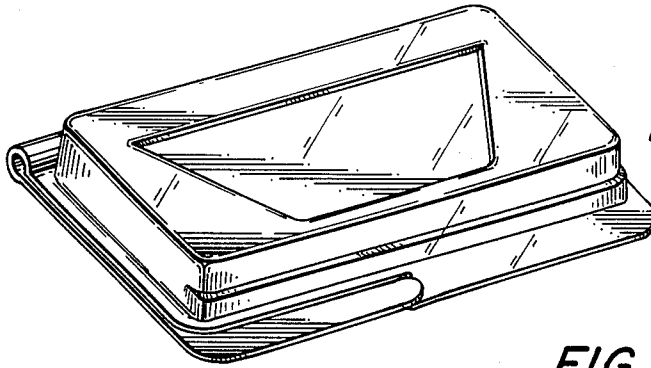


FIG. 1

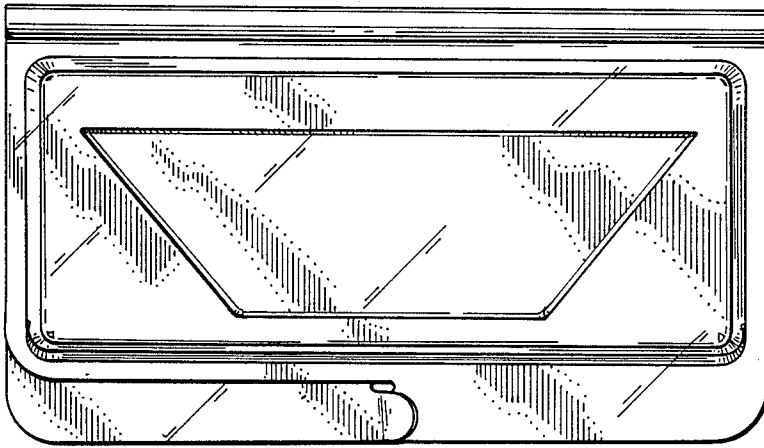


FIG. 2

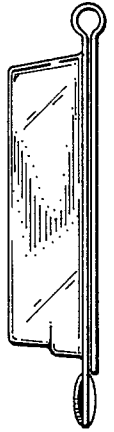


FIG. 3

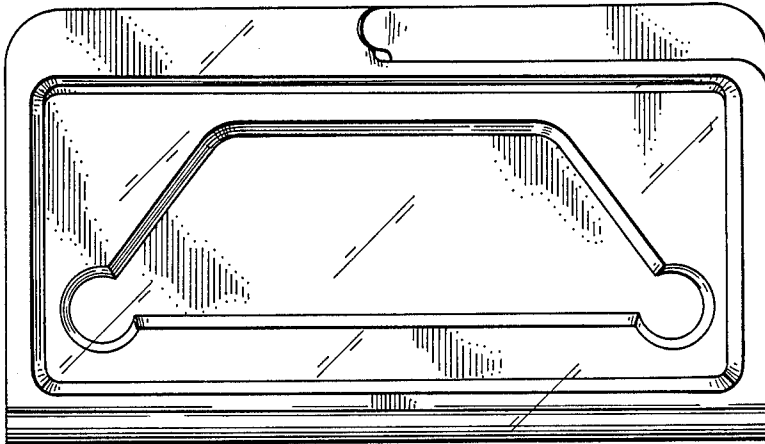


FIG. 4

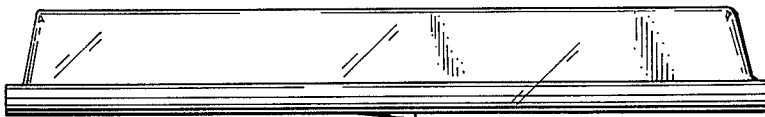


FIG. 5

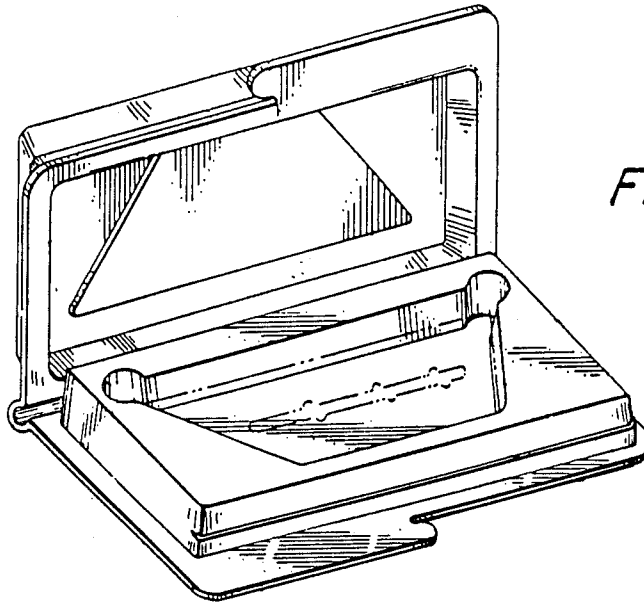


FIG. 6

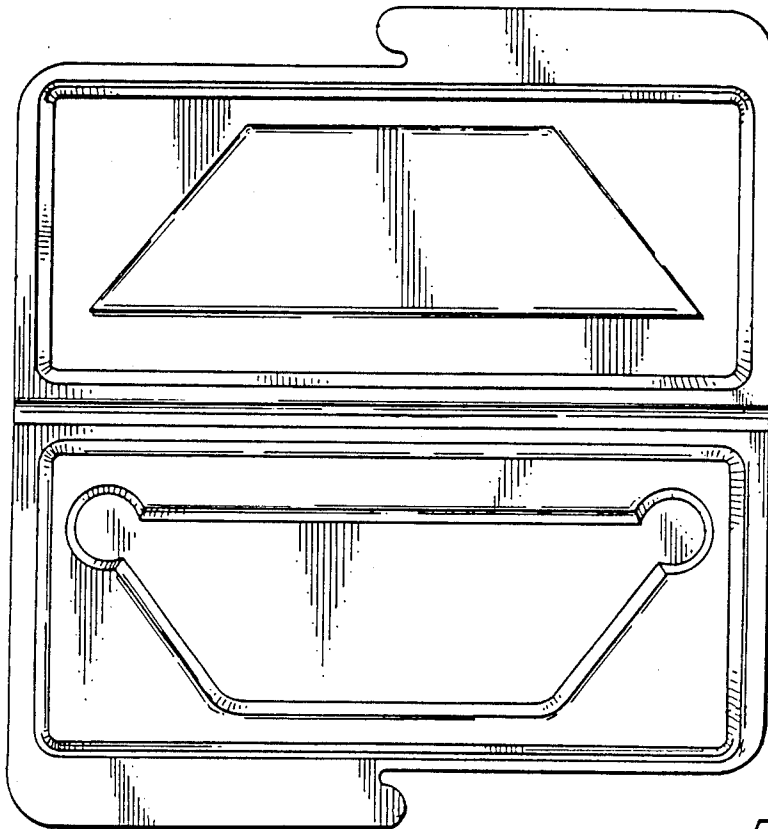


FIG. 7