



US00D972527S

(12) **United States Design Patent** (10) **Patent No.:** **US D972,527 S**
DeLuna (45) **Date of Patent:** **** Dec. 13, 2022**

(54) **LOUDSPEAKER**

(71) Applicant: **Harman International Industries, Incorporated**, Northridge, CA (US)

(72) Inventor: **Jose Tomas DeLuna**, Detroit, MI (US)

(73) Assignee: **Harman International Industries, Incorporated**, Northridge, CA (US)

(**) Term: **15 Years**

(21) Appl. No.: **29/704,256**

(22) Filed: **Sep. 3, 2019**

(51) **LOC (13) Cl.** **14-03**

(52) **U.S. Cl.**
USPC **D14/204**

(58) **Field of Classification Search**
USPC D14/167, 168, 170–172, 188, 194–196,
D14/204, 209.1, 210–216, 219, 221, 222,
D14/224, 239, 496

CPC H04R 2420/07; H04R 3/005; H04R
2499/11; H04R 5/04; H04R 1/1041;
H04R 3/12; H04R 3/00; H04R 1/028;
H04R 27/00; H04R 3/04; H04R 1/1016;
H04R 5/02; H04R 2499/13; H04R 5/033;
H04R 1/025; H04R 1/406; H04R
2430/01; H04R 9/06; H04R 2499/15;
H04R 1/1083; H04R 25/554; H04R
29/001; H04R 1/02; H04R 9/025; H04R
1/1008; H04R 2227/005; H04R 1/403;
H04R 17/00; H04R 2227/003; H04R
2460/13; H04R 1/1091; H04R 2201/107;
H04R 1/345; H04R 25/505; H04R 1/026;
H04R 1/105; H04R 1/08; H04R 1/26;
H04R 29/00; H04R 25/70; H04R
2201/401; H04R 1/023; H04R 2460/01;
H04R 3/02; H04R 1/1075; H04R 1/1066;
H04R 2430/20; H04R 1/24; H04R
5/0335; H04R 2225/43; H04R 2225/55;
H04R 1/1058; H04R 3/007; H04R
2430/03; H04R 2420/09; H04R 7/045;
H04R 1/2811; H04R 2410/05; H04R

1/1025; H04R 25/552; H04R 5/027;
H04R 25/606; H04R 1/1033; H04R
25/407; H04R 7/04; H04R 25/558; H04R
2420/01; H04R 3/002; H04R 1/10; H04R
31/006; H04R 2400/11; H04R 1/021;
H04R 29/004; H04R 2201/003; H04R
1/04; H04R 3/14; H04R 2201/021; H04R
2420/05; H04R 2225/41; H04R 31/00;
H04R 1/323; H04R 31/003; H04R
2460/03; H04R 2420/03; H04R 1/06;

(Continued)

(56) **References Cited**

U.S. PATENT DOCUMENTS

D222,072 S * 9/1971 Levitt D14/211
D718,280 S 11/2014 Yoon

(Continued)

Primary Examiner — Khawaja Anwar

(74) *Attorney, Agent, or Firm* — Plumsea Law Group,
LLC

(57) **CLAIM**

The ornamental design for a loudspeaker, as shown and described.

DESCRIPTION

FIG. 1 is a top perspective view of a loudspeaker showing the new design;

FIG. 2 is a front elevational view thereof;

FIG. 3 is a rear elevational view thereof;

FIG. 4 is a side elevational view thereof;

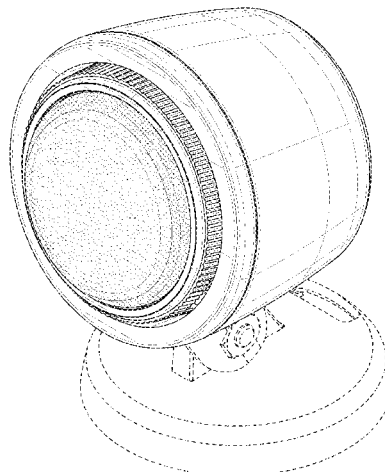
FIG. 5 is an opposite side elevational view thereof;

FIG. 6 is a top view thereof; and,

FIG. 7 is a bottom view thereof.

The broken lines illustrate portions of the loudspeaker that form no part of the claimed design. The shading is provided merely to represent contours of the design and does not connote the character of the surfaces such as any specific

(Continued)



texture, material, gloss, translucence, transparency, surface treatment, or surface decoration.

1 Claim, 7 Drawing Sheets

(58) **Field of Classification Search**

CPC ... H04R 7/18; H04R 1/083; H04R 2201/023; H04R 19/005; H04R 1/30; H04R 1/288; H04R 19/04; H04R 2201/403; H04R 2400/03; H04R 29/007; H04R 2460/07; H04R 2225/61; H04R 1/2834; H04R 2225/025; H04R 7/12; H04R 2201/028; H04R 9/045; H04R 5/023; H04R 7/20; H04R 25/453; H04R 9/02; H04R 2205/024; H04R 9/063; H04R 25/604; H04R 29/008; H04R 1/283; H04R 25/30; H04R 25/652; H04R 19/02; H04R 2203/12; H04R 25/00; H04R 25/43; H04R 2430/23; H04R 2225/51; H04R 2205/021; H04R 2205/022; H04R 25/65; H04R 29/005; H04R 1/2857; H04R 1/2819; H04R 25/602; H04R 11/02; H04R 1/00; H04R 1/326; H04R 2217/03; H04R 1/086; H04R 9/022; H04R 1/2826; H04R 25/305; H04R 2201/025; H04R 2307/025; H04R 25/603; H04R 9/046; H04R 25/658; H04R 1/22; H04R 29/002; H04R 25/405; H04R 7/127; H04R 2225/31; H04R 2410/07; H04R 17/005; H04R 2460/11; H04R 1/2842; H04R 9/043; H04R 2201/029; H04R 2225/67; H04R 1/44; H04R 1/46; H04R 25/60; H04R 2440/05; H04R 1/2888; H04R 2460/17; H04R 2225/023; H04R 7/16; H04R 9/066; H04R 2410/01; H04R 25/656; H04R 25/356; H04R 7/10; H04R 25/50; H04R 25/609; H04R 17/02; H04R 5/00; H04R 2225/0216; H04R 7/06;

H04R 9/04; H04R 2460/15; H04R 2430/21; H04R 7/02; H04R 2201/405; H04R 2307/029; H04R 25/607; H04R 25/55; H04R 11/00; H04R 1/227; H04R 1/342; H04R 2460/09; H04R 9/047; H04R 1/28; H04R 2225/021; H04R 25/353; H04R 2307/207; H04R 1/2896; H04R 29/003; H04R 2209/022; H04R 23/008; H04R 2201/103; H04R 2307/023; H04R 2225/39; H04R 7/125; H04R 25/02; H04R 7/122; H04R 7/14; H04R 2307/027; H04R 25/456; H04R 25/75; H04R 25/654; H04R 1/40; H04R 2430/25; H04R 1/34; H04R 2400/01; H04R 2201/109; H04R 2201/34; H04R 2410/00; H04R 25/556; H04R 2225/49; H04R 1/2873; H04R 2225/0213; H04R 23/00; H04R 1/2849; H04R 2227/009; H04R 1/2807; H04R 2205/041; H04R 1/005; H04R 1/20; H04R 2460/05; H04R 2209/024; H04R 2225/57; H04R 2225/33; H04R 1/222; H04R 1/2865; H04R 1/32; H04R 2227/001; H04R 3/08; H04R 2227/007; H04R 1/2876; H04R 7/26; H04R 2209/041; H04R 2400/00; H04R 1/38; H04R 2307/204; H04R 25/48; H04R 29/006; H04R 2307/021

See application file for complete search history.

(56)

References Cited

U.S. PATENT DOCUMENTS

D718,281	S	11/2014	Schmiedbauer	
D736,743	S *	8/2015	Kowaki	D14/215
D749,059	S *	2/2016	Hinokio	D14/216
D749,060	S *	2/2016	Hinokio	D14/216
D781,266	S *	3/2017	Ahn	D14/215
D836,595	S	12/2018	DeLuna et al.	
D928,119	S *	8/2021	Walter	D14/216

* cited by examiner

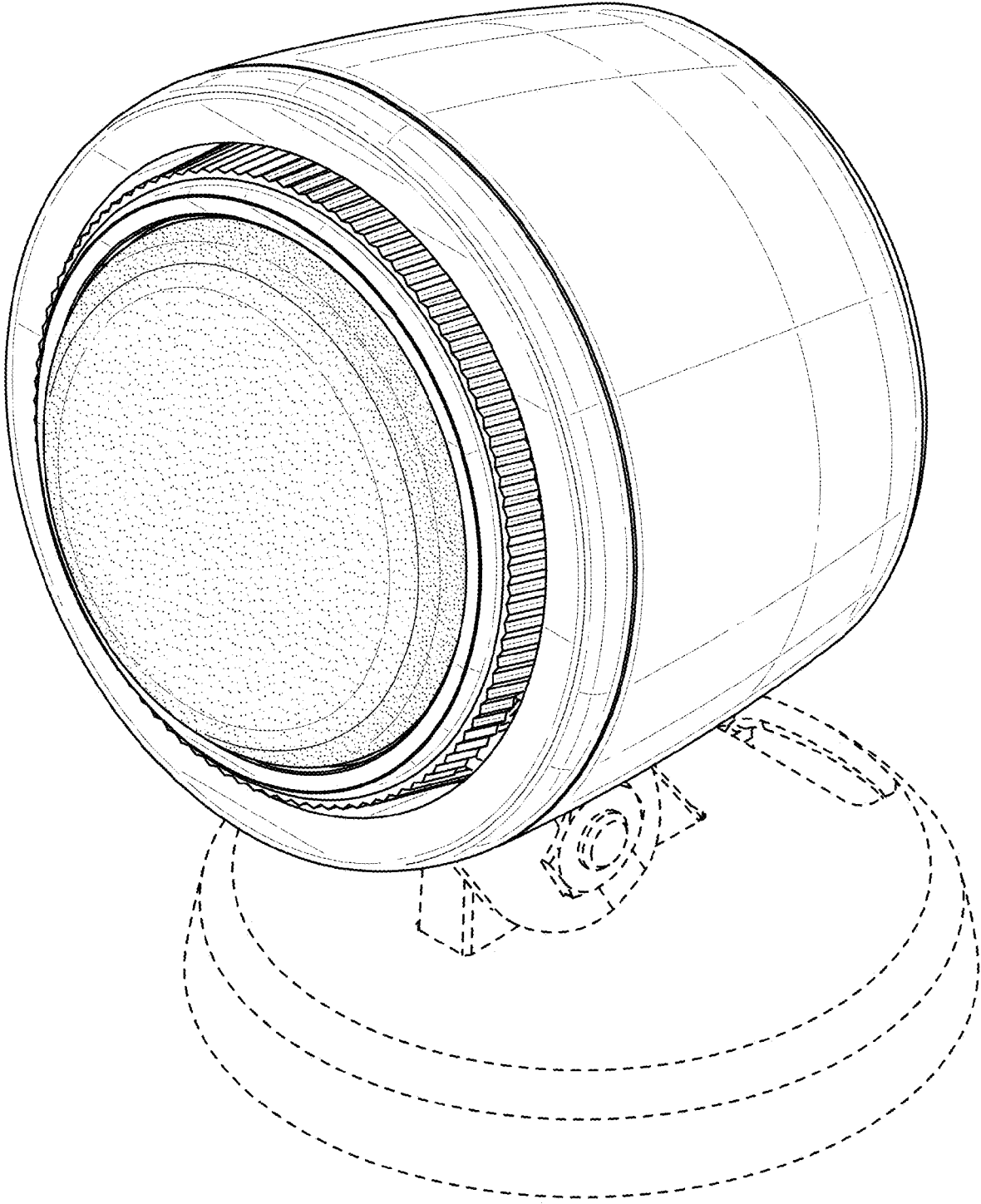


FIG. 1

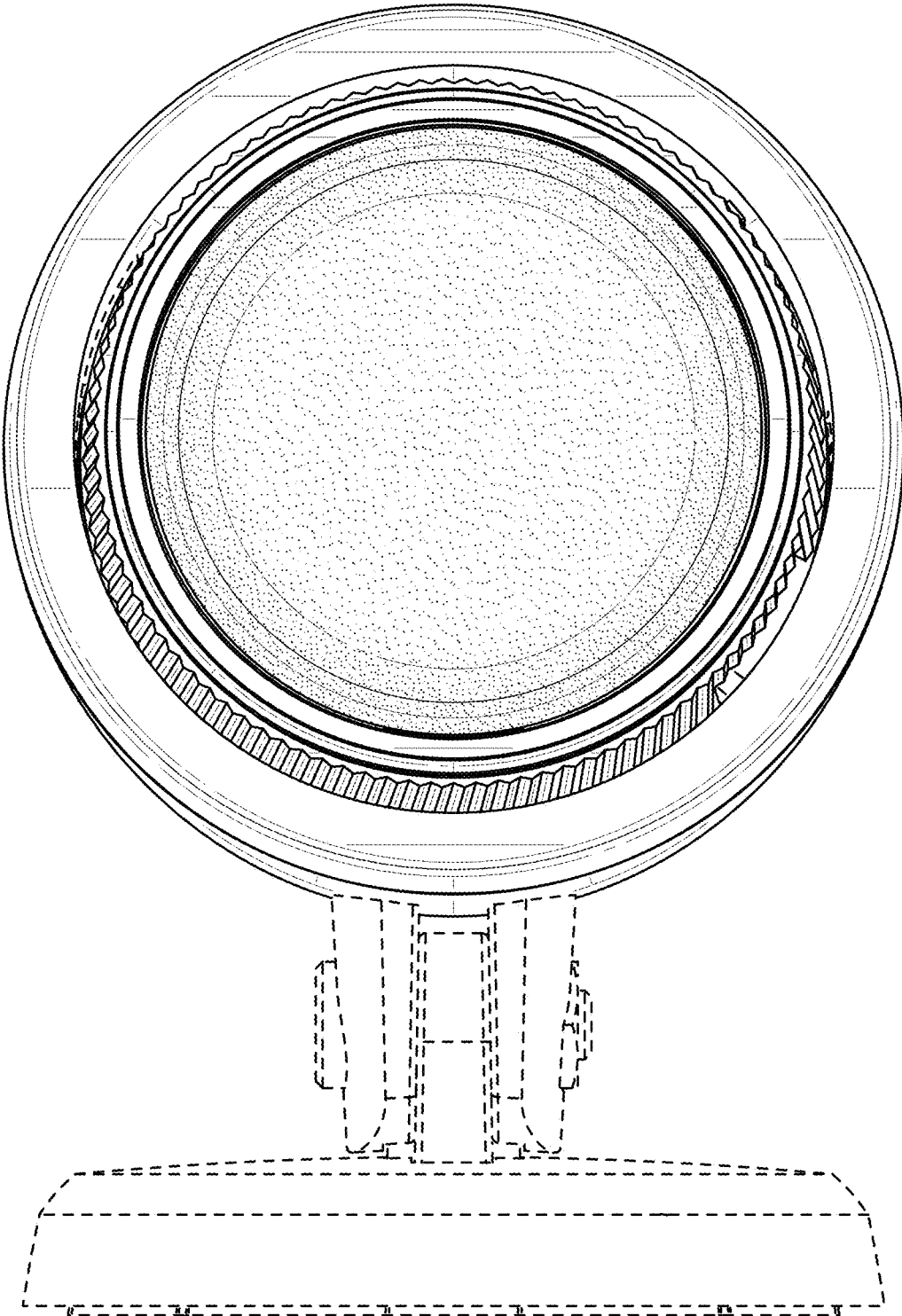


FIG. 2

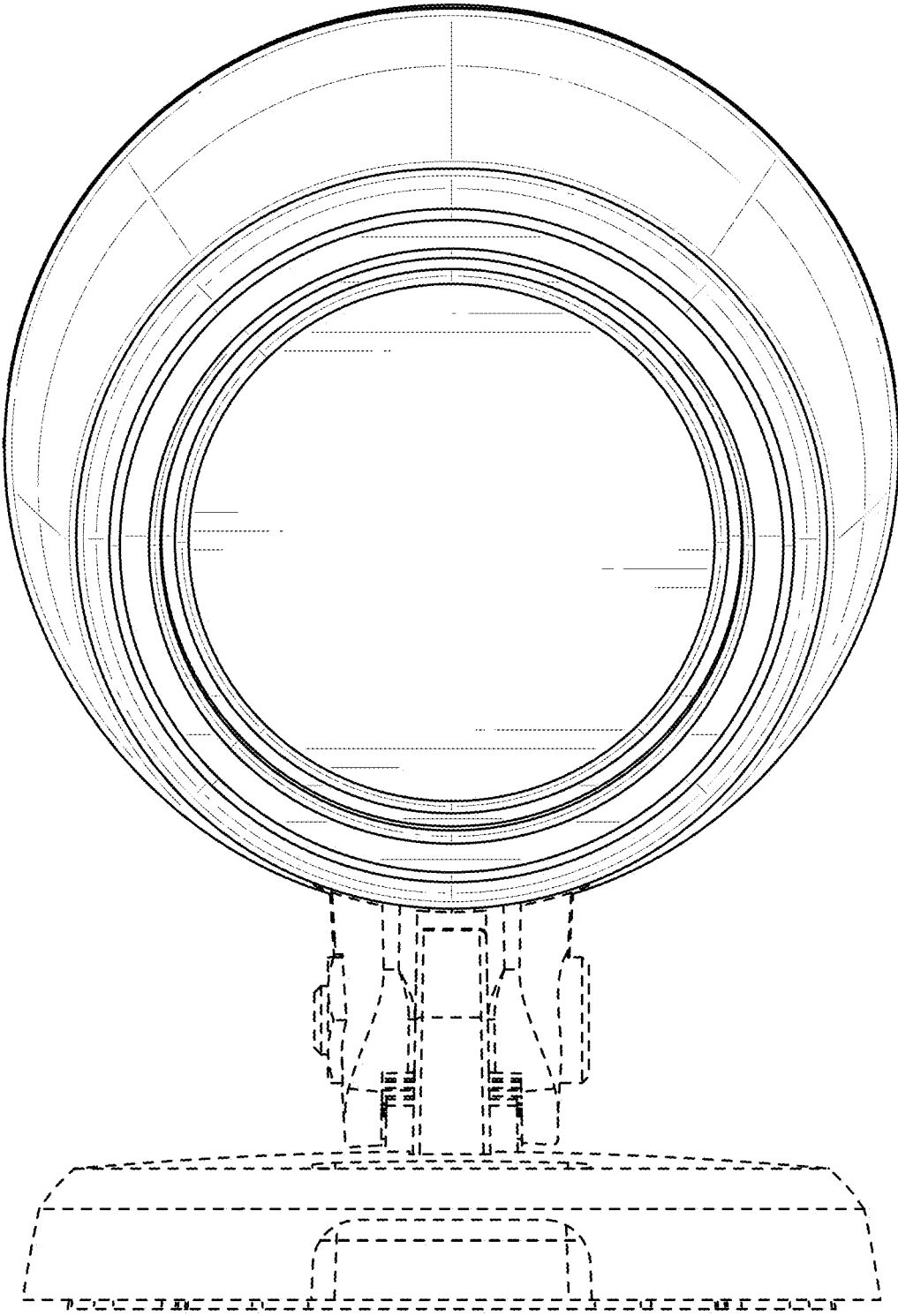


FIG. 3

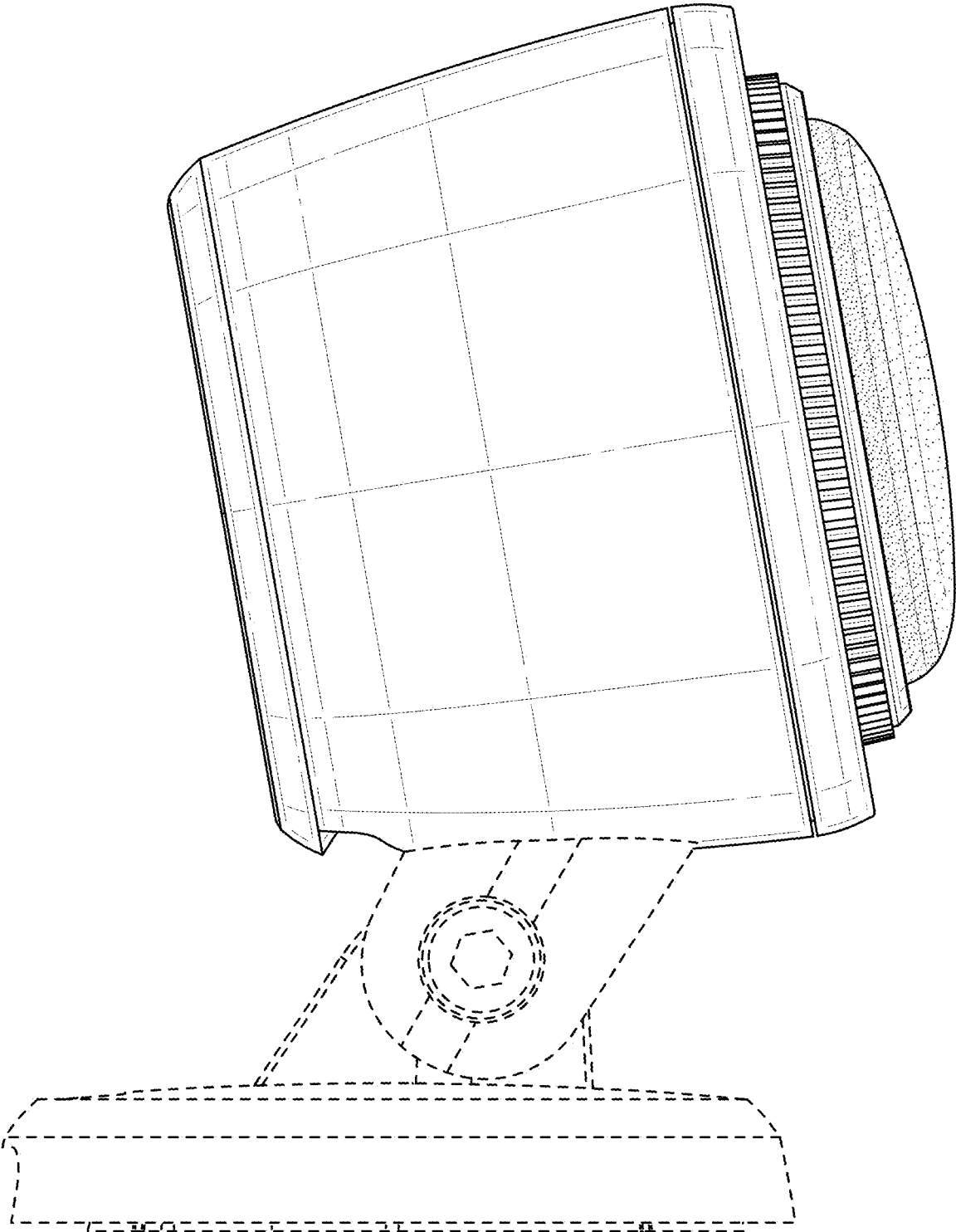


FIG. 4

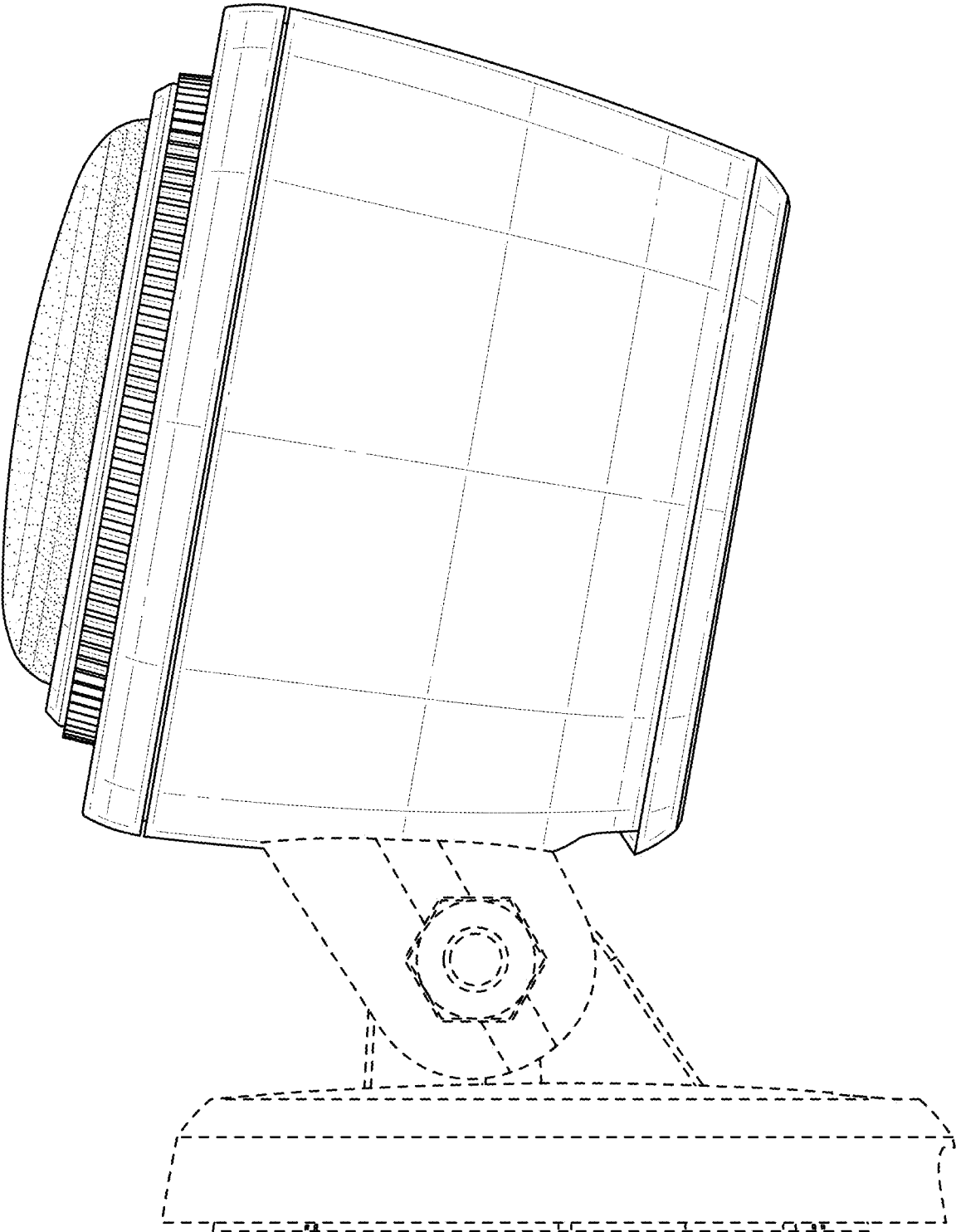


FIG. 5

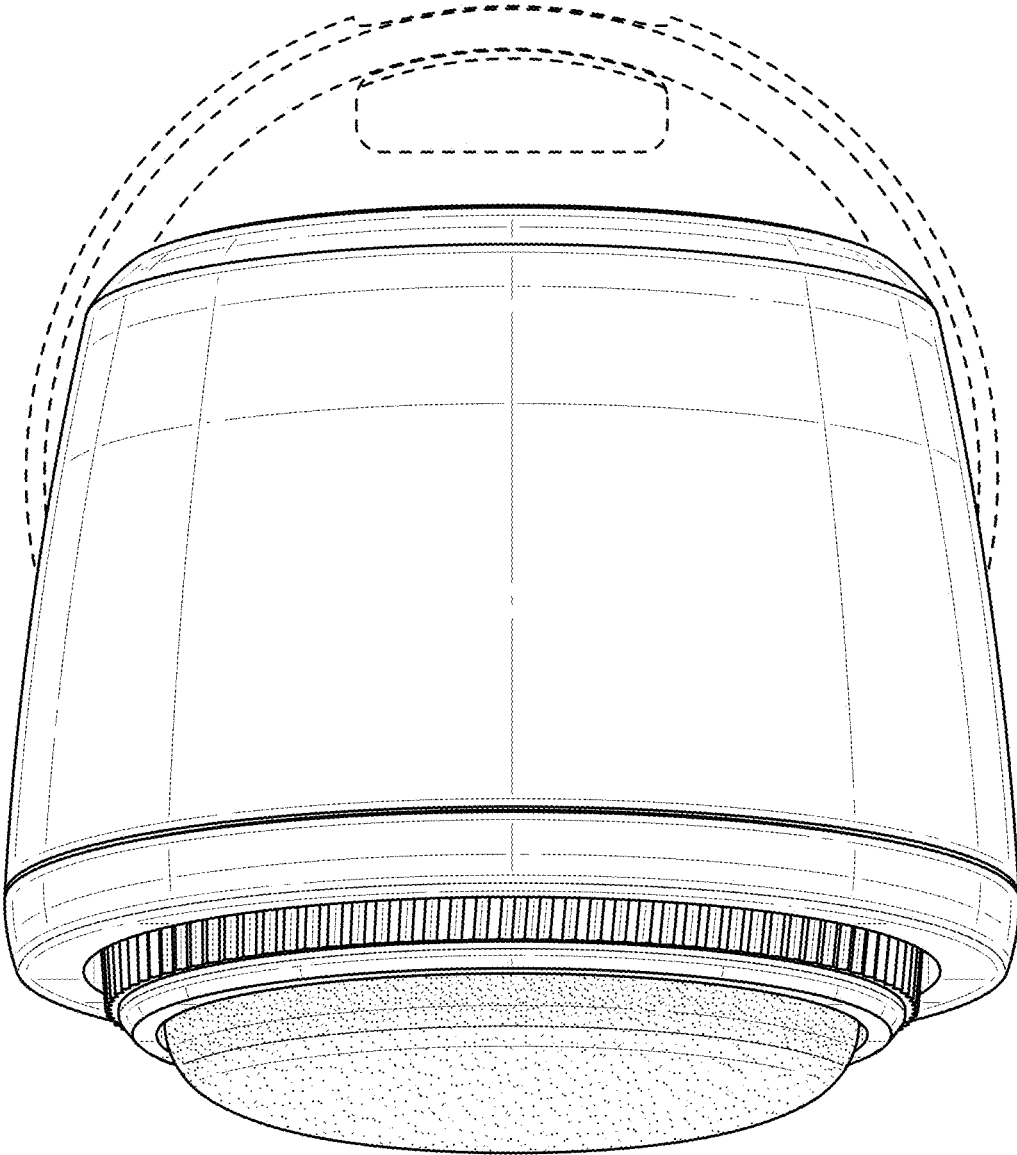


FIG. 6

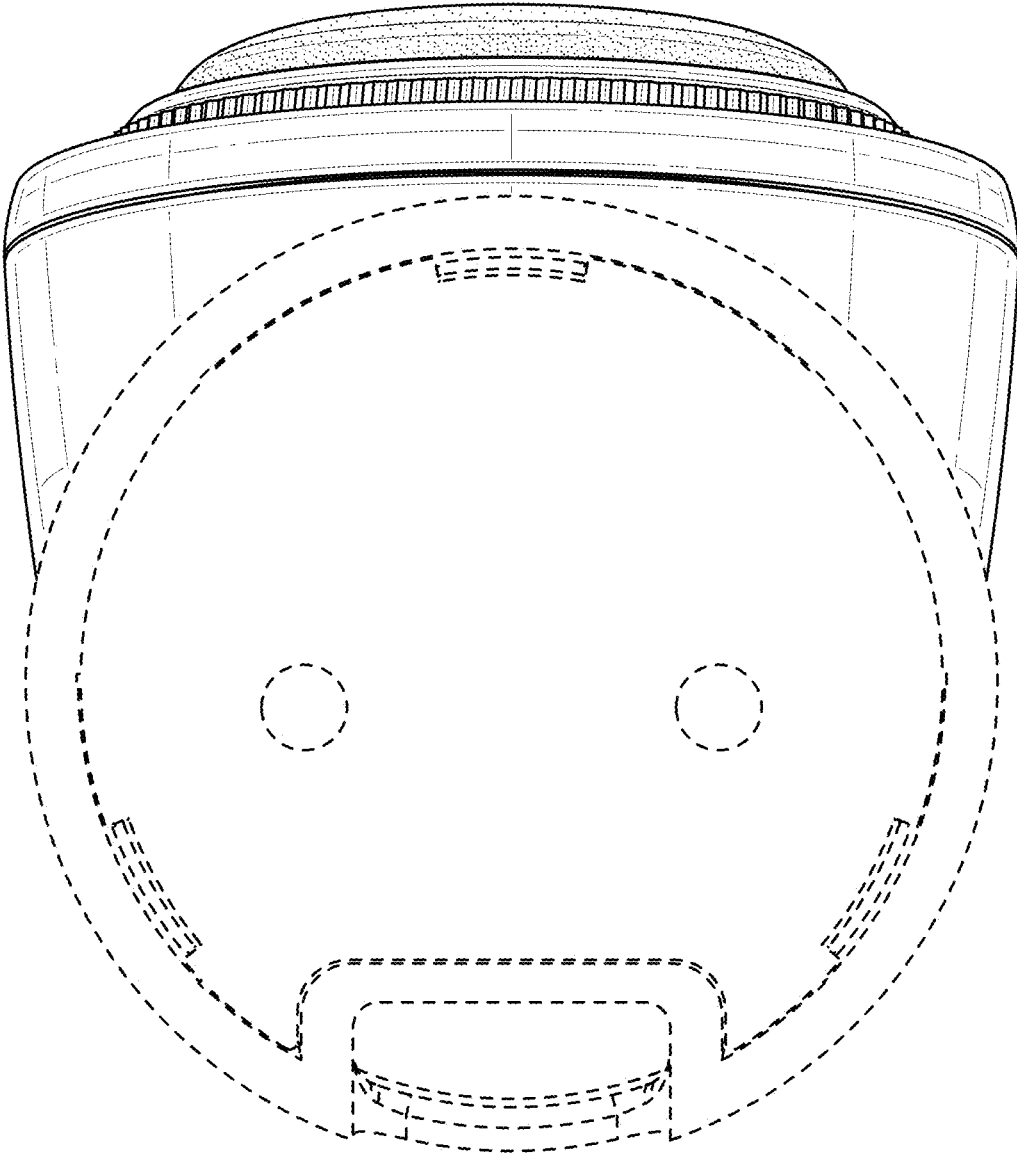


FIG. 7