



US00D775848S

(12) **United States Design Patent**
Bettin

(10) **Patent No.:** **US D775,848 S**

(45) **Date of Patent:** **** Jan. 10, 2017**

(54) **SOFA**

(71) Applicant: **Dario Bettin**, Bari (IT)

(72) Inventor: **Dario Bettin**, Bari (IT)

(**) Term: **15 Years**

(21) Appl. No.: **29/537,801**

(22) Filed: **Aug. 28, 2015**

(51) **LOC (10) Cl.** **06-01**

(52) **U.S. Cl.**
USPC **D6/381**

(58) **Field of Classification Search**
USPC D6/334, 335, 336, 338, 349, 355, 381,
D6/716, 716.1; 297/118, 119, 135, 144,
297/232, 445.1, 448.1, 452.18, 156, 175,
297/216.1; 5/12.1, 12.2
CPC A47C 1/02; A47C 1/12; A47C 11/00;
A47C 17/00; A47C 17/02; A47C
4/52; A47C 9/00
See application file for complete search history.

D344,194	S	*	2/1994	Gibbs	D6/373
D347,742	S	*	6/1994	Schwartz	D6/370
D350,444	S	*	9/1994	Lowsky	D6/373
D357,135	S	*	4/1995	Hess	D6/373
D366,573	S	*	1/1996	Hess	D6/373
D422,422	S	*	4/2000	Black	D6/334
D438,398	S	*	3/2001	Frinier	D6/375
D446,962	S	*	8/2001	Mourgue	D6/335
D455,281	S	*	4/2002	Andersen	D6/335
D467,444	S	*	12/2002	Hess	D6/370
D498,075	S	*	11/2004	Mourgue	D6/335
D591,970	S	*	5/2009	Weiss	D6/381
D603,618	S	*	11/2009	Weiss	D6/381
D606,329	S	*	12/2009	Van Duysen	D6/375
D614,419	S	*	4/2010	Andersen	D6/381
D615,766	S	*	5/2010	Andersen	D6/381
D648,157	S	*	11/2011	McCurry	D6/717
D659,413	S	*	5/2012	Arko	D6/334
D662,338	S	*	6/2012	Arko	D6/717
D676,680	S	*	2/2013	Arko	D6/334
D681,366	S	*	5/2013	Kanthisamy	D6/381
D686,003	S	*	7/2013	Arko	D6/334

* cited by examiner

Primary Examiner — Sandra Snapp
(74) *Attorney, Agent, or Firm* — Egbert Law Offices, PLLC

(56) **References Cited**

U.S. PATENT DOCUMENTS

2,979,122	A	*	4/1961	Knoll	A47C 17/02 297/446.1
3,380,777	A	*	4/1968	Bennett	A47C 1/02 297/440.22
D235,947	S	*	7/1975	Uyeda	D6/373
D239,890	S	*	5/1976	Uysda	D6/369
D245,821	S	*	9/1977	Piper	D6/373
D245,822	S	*	9/1977	Piper	D6/373
D249,410	S	*	9/1978	Dranger	D6/369
D258,176	S	*	2/1981	Baker	D6/360
D282,699	S	*	2/1986	Arthur, Jr.	D6/373
D291,157	S	*	8/1987	Martin	D6/373
D315,258	S	*	3/1991	Gibbs	D6/379
D340,143	S	*	10/1993	Caldwell	D6/370

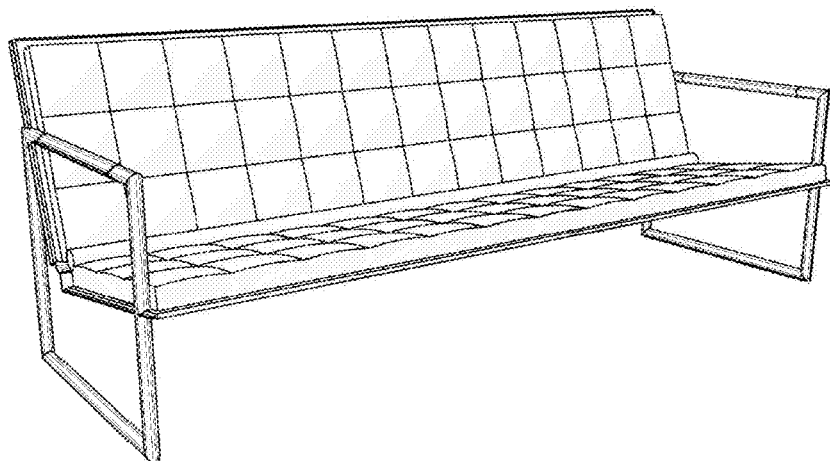
(57) **CLAIM**

The ornamental design for a sofa, as shown and described.

DESCRIPTION

FIG. 1 is a front perspective view of a sofa showing my new design.
FIG. 2 is a top view thereof;
FIG. 3 is a side view thereof, an opposite side view being a mirror image thereof; and,
FIG. 4 is a rear perspective view thereof.
The broken lines shown in the drawings are understood to represent stitching.

1 Claim, 4 Drawing Sheets



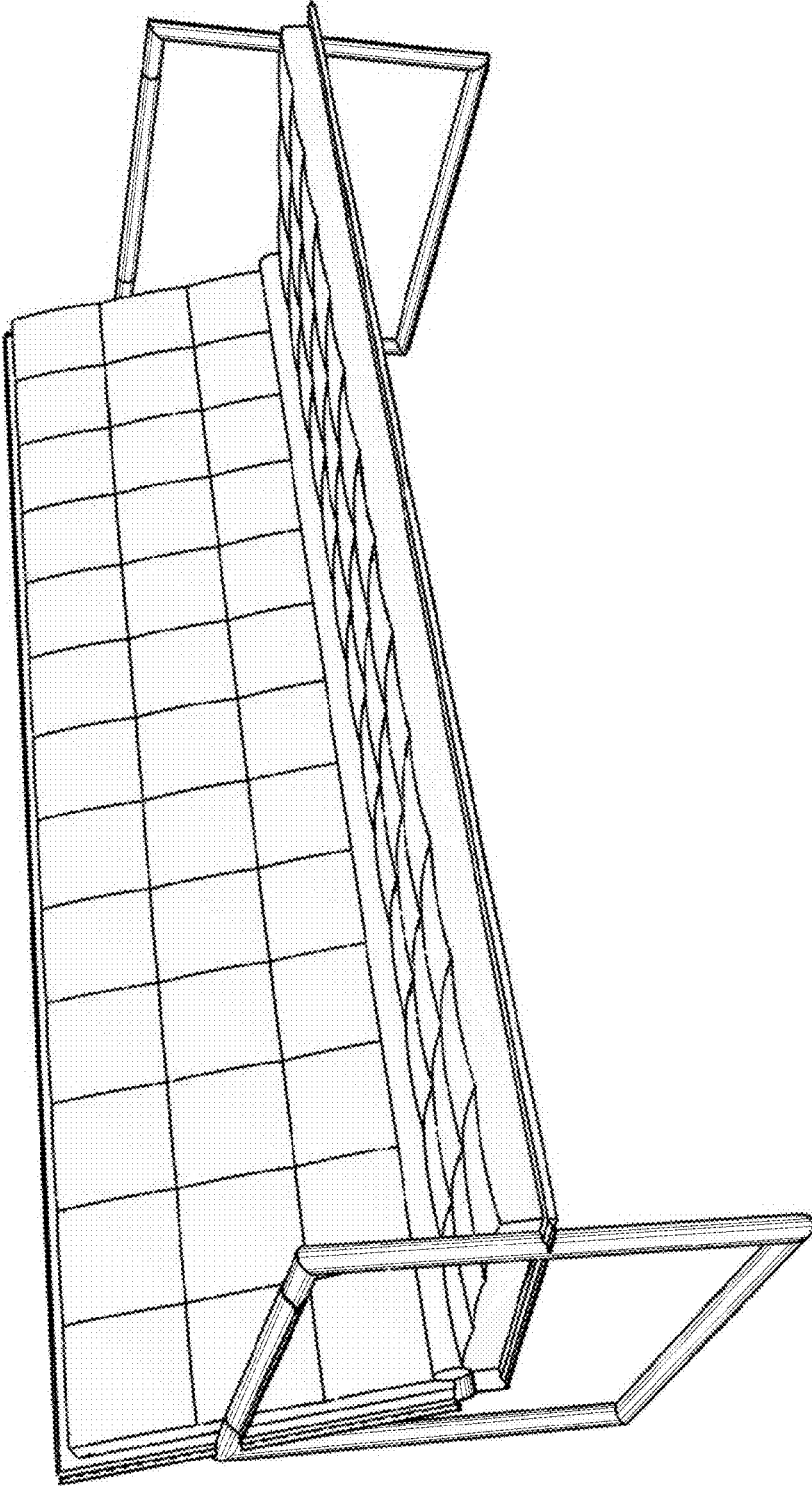


FIG. 1

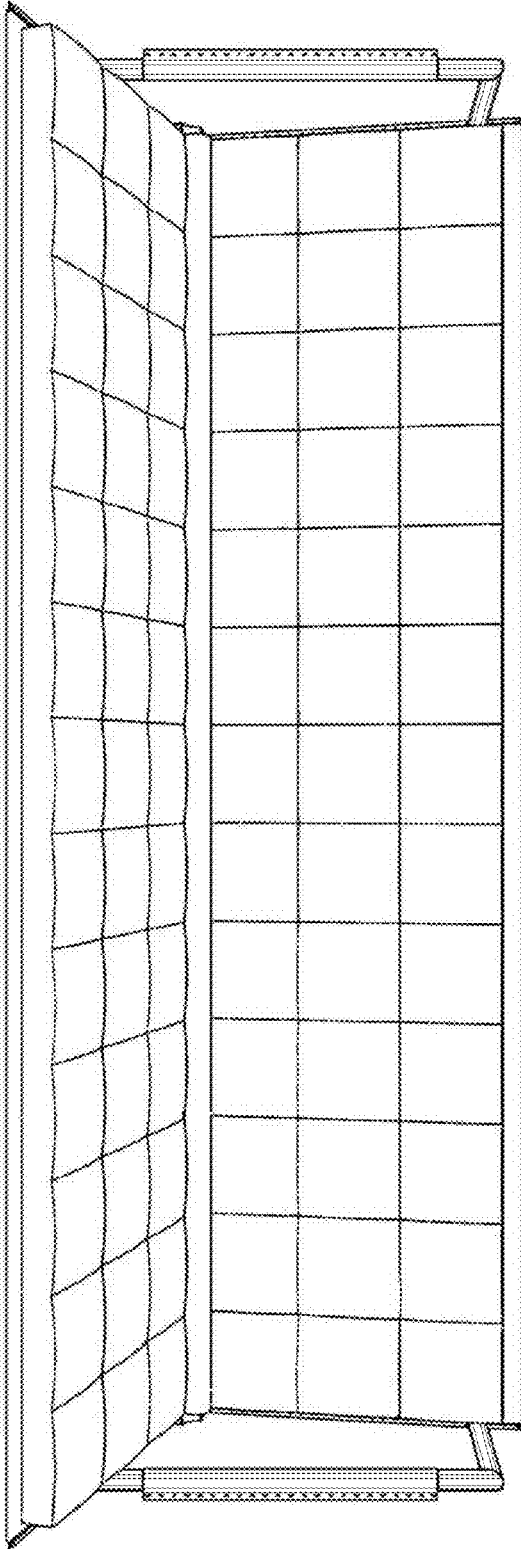


FIG. 2

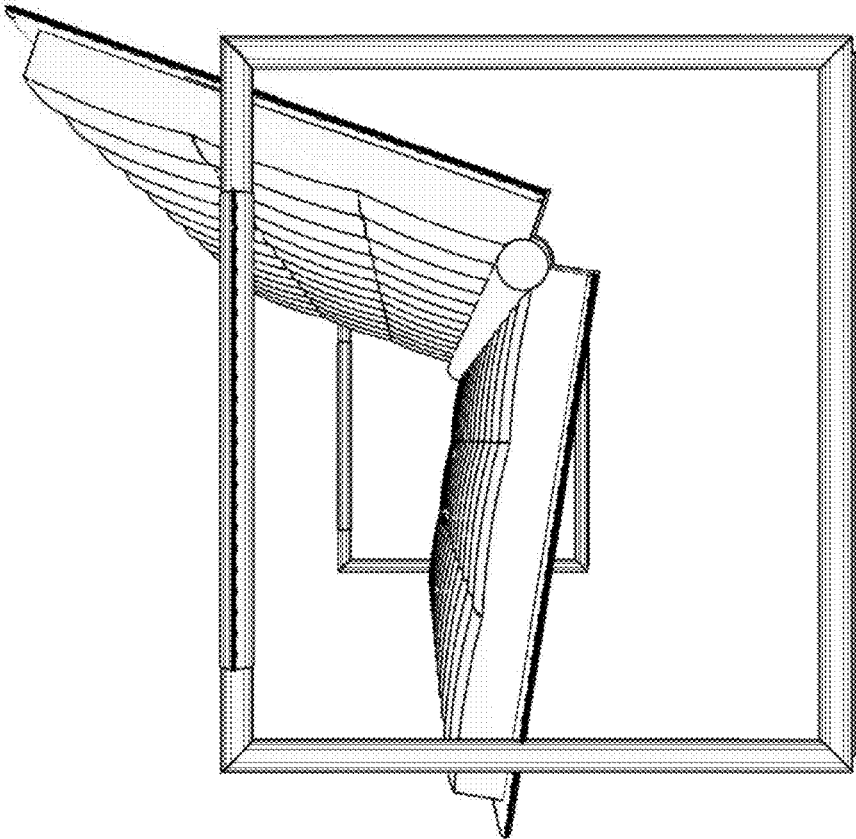


FIG. 3

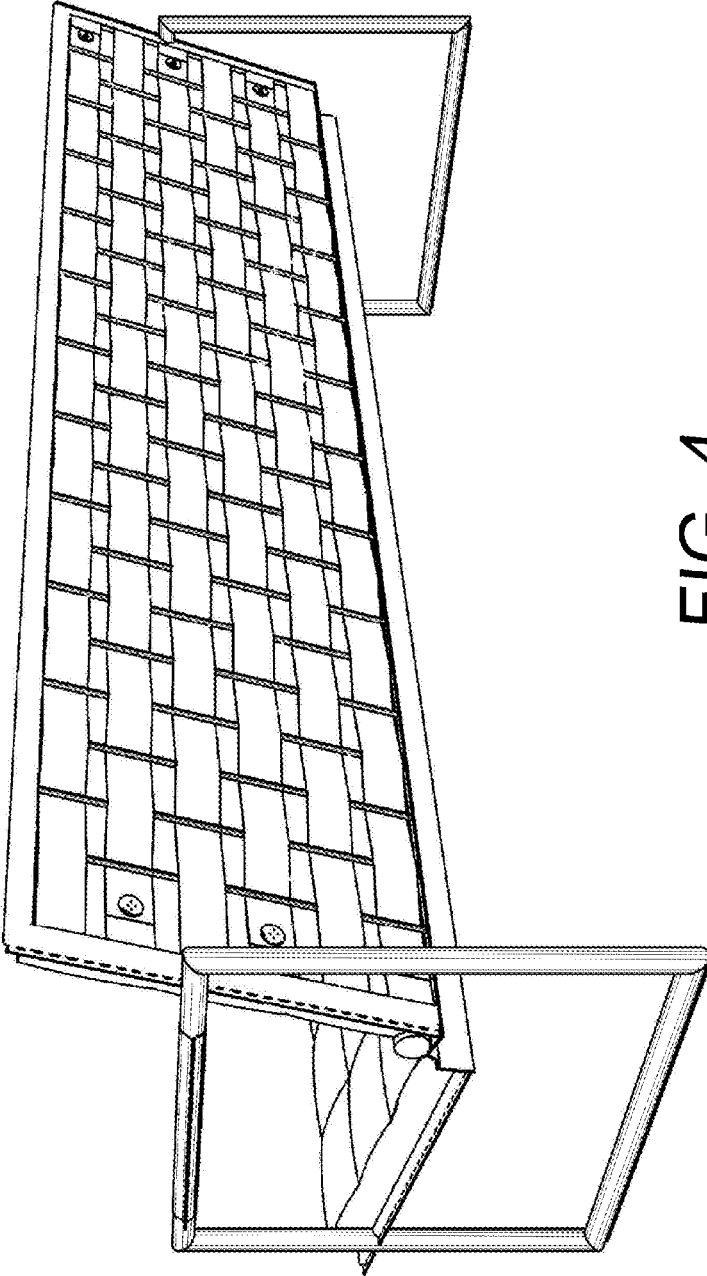


FIG. 4