



US00D831920S

(12) **United States Design Patent** (10) **Patent No.:** **US D831,920 S**
Duvigneau (45) **Date of Patent:** **** Oct. 23, 2018**

(54) **HAMPER**

(56) **References Cited**

- (71) Applicant: **CURVER Luxembourg Sarl**,
Neidercorn (LU)
- (72) Inventor: **Nikolai Duvigneau**, Zichron Yaacov
(IL)
- (73) Assignee: **CURVER LUXEMBOURG SARL**,
Neidercorn (LU)
- (**) Term: **15 Years**
- (21) Appl. No.: **29/634,684**
- (22) Filed: **Jan. 24, 2018**

U.S. PATENT DOCUMENTS

D233,207	S	*	10/1974	Molzon	D32/37
D264,040	S	*	4/1982	Kunze	D32/37
D277,993	S	*	3/1985	Sinchok	D3/309
D302,067	S	*	7/1989	Yoshikawa	D3/312
D305,274	S	*	12/1989	Yoshikawa	D3/314
D343,711	S	*	1/1994	Craft	D32/37
D351,266	S	*	10/1994	Licari	D32/37
D372,568	S	*	8/1996	Lippisch	D32/37
D372,583	S	*	8/1996	Brightbill	D3/312
D380,088	S	*	6/1997	Kolada	D3/312
D388,918	S	*	1/1998	Douglas	D32/37
D389,621	S	*	1/1998	Short	D32/37

(Continued)

OTHER PUBLICATIONS

Thehomeshoppe, "Infinity Laundry Basket Dots 40L", Jul. 12, 2018. <https://www.thehomeshoppe.com.sg/products/infinity-laundry-basket-dots-40l?variant=41150896268>. Shown in p. 1. (Year: 2018).*

Primary Examiner — Cynthia Ramirez

Assistant Examiner — Michael A Maharajh

(74) *Attorney, Agent, or Firm* — Vorys, Sater, Seymour & Pease LLP

Related U.S. Application Data

- (62) Division of application No. 29/573,890, filed on Aug. 10, 2016, now Pat. No. Des. 820,552.

Foreign Application Priority Data

- Feb. 11, 2016 (IL) 58066
- (51) **LOC (11) Cl.** **09-04**
- (52) **U.S. Cl.**
USPC **D32/37**

(58) **Field of Classification Search**

USPC D34/1, 2, 3, 4, 5, 6, 7, 8, 9, 10, 11, 37, D34/39; D6/403; D9/737, 738, 770, D9/772, 778, 781; D11/143; D19/77, D19/99; D23/202, 203, 205; 220/211, 220/4.04, 484, 495.08, 569, 62.12, 62.13, 220/703, 737, 748, 908.1, 908.2, 908, 220/909, 495.09, 810, 495.06; D3/304, D3/306, 307, 309, 312; D32/532
CPC D06F 95/002; B65D 1/38; A47G 25/20
See application file for complete search history.

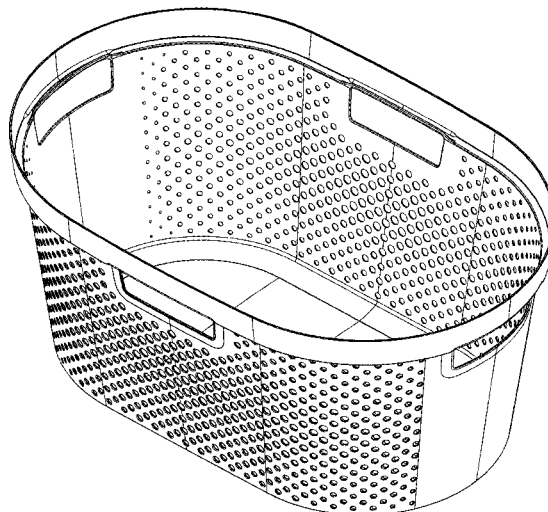
(57) **CLAIM**

The ornamental design for a hamper, as shown and described.

DESCRIPTION

FIG. 1 is a front perspective view of a hamper;
 FIG. 2 is a bottom perspective view of the hamper as seen in FIG. 1;
 FIG. 3 is a front view of the hamper as seen in FIG. 1, rear view being identical;
 FIG. 4 is a side view of the hamper as seen in FIG. 1, other side view being a mirror image;
 FIG. 5 is a top view of the hamper as seen in FIG. 1; and,
 FIG. 6 is a bottom view of the hamper as seen in FIG. 1.

1 Claim, 6 Drawing Sheets



(56)

References Cited

U.S. PATENT DOCUMENTS

D401,065	S *	11/1998	Peltola	D3/304
D425,275	S *	5/2000	Delouvre	D32/37
D433,548	S *	11/2000	Baines	D34/1
D466,301	S *	12/2002	Sofy	D3/307
D477,145	S *	7/2003	Sofy	D3/307
D536,874	S *	2/2007	Splain	D3/304
7,207,460	B2 *	4/2007	Sander	D06F 95/002 220/676
D554,371	S *	11/2007	Åhman	D3/304
D578,308	S *	10/2008	Simas	D3/304
D584,020	S *	12/2008	McNamara	D32/37
D690,891	S *	10/2013	Barre	D32/37
8,727,172	B2 *	5/2014	Burgess	D06F 95/002 220/532
D728,939	S *	5/2015	Suomela	D3/304
9,481,960	B2 *	11/2016	Sofy	D06F 95/002
9,526,365	B2 *	12/2016	Sinmaz	A47G 25/20
D775,830	S *	1/2017	Duvigneau	D3/304
D775,831	S *	1/2017	Duvigneau	D3/304
D777,434	S *	1/2017	Duvigneau	D3/307
D789,089	S *	6/2017	Duvigneau	D3/306
D798,517	S *	9/2017	Duvigneau	D32/37
D799,830	S *	10/2017	Greenwood	D3/312
D804,181	S *	12/2017	Takagaki	D3/307
D819,971	S *	6/2018	Lindsay	D3/312
D820,552	S *	6/2018	Duvigneau	D34/37

* cited by examiner

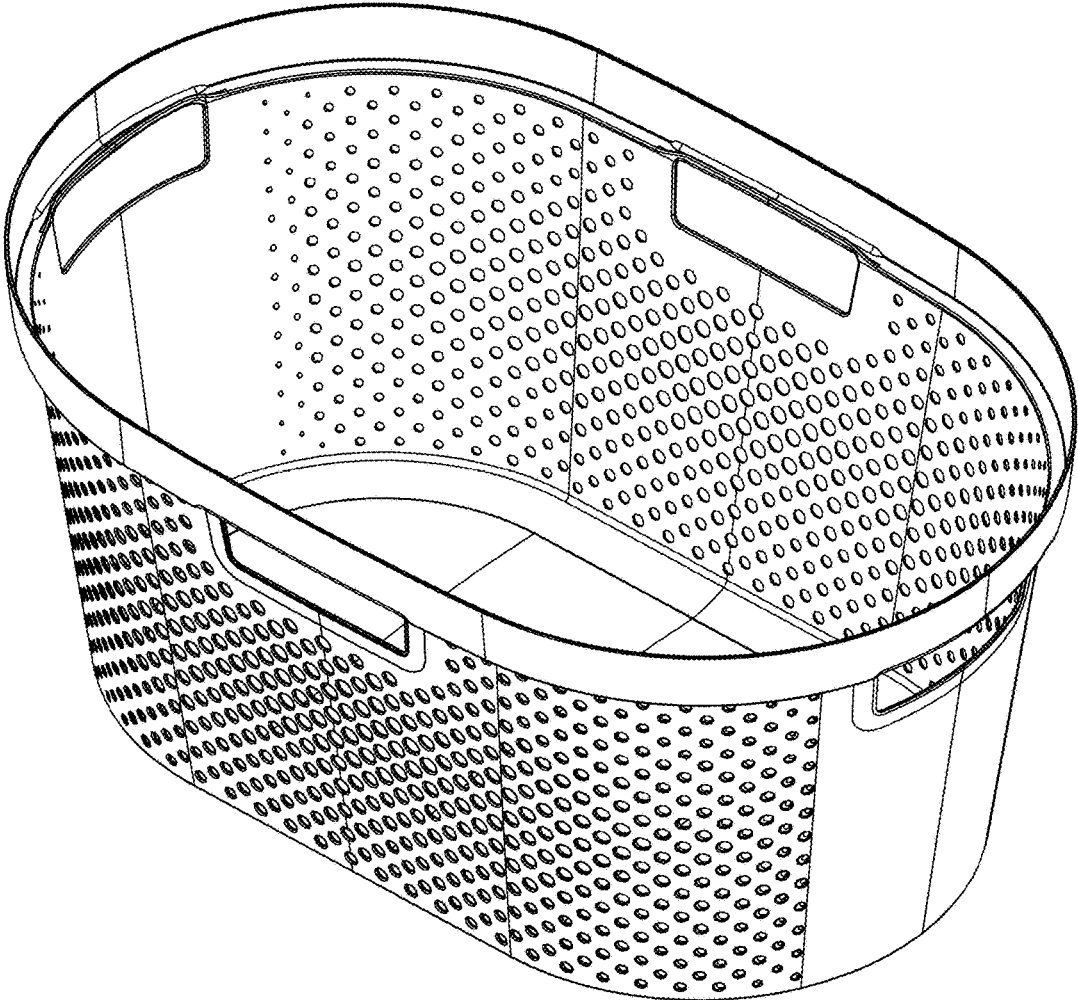


FIG. 1

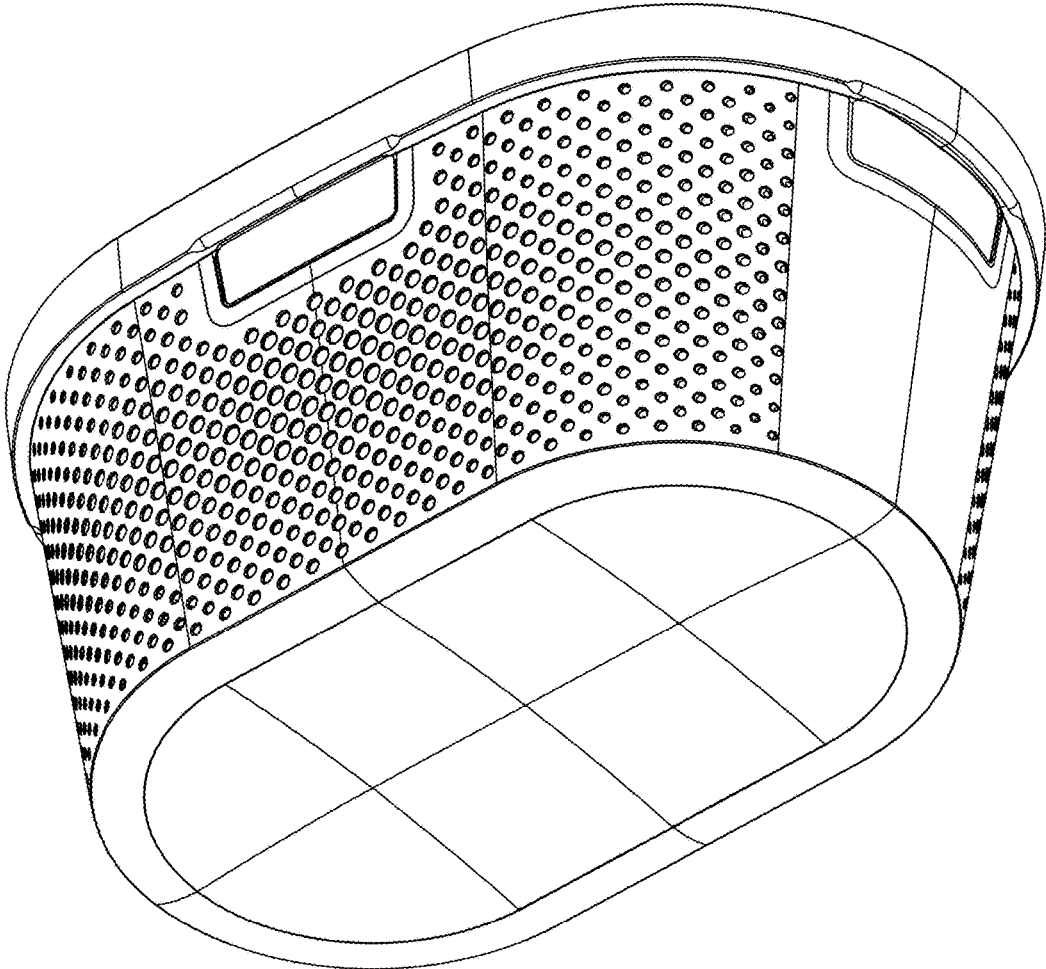


FIG. 2

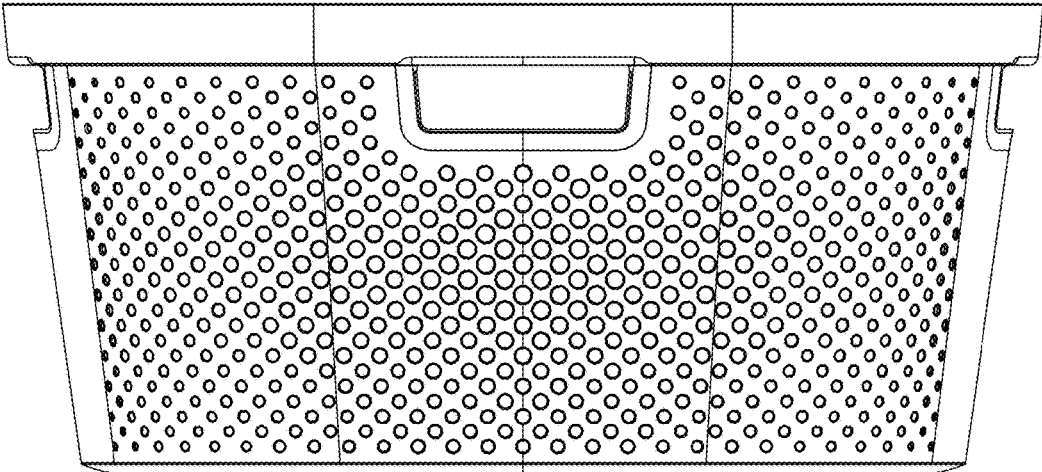


FIG. 3

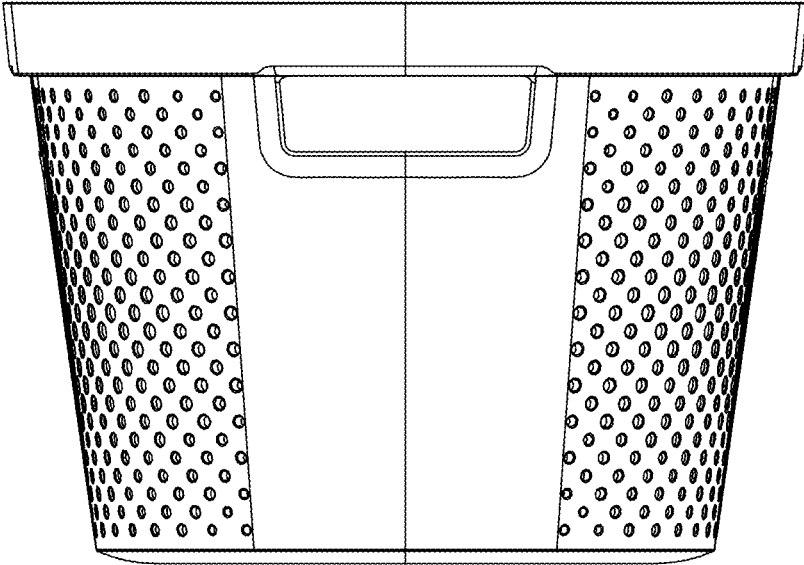


FIG. 4

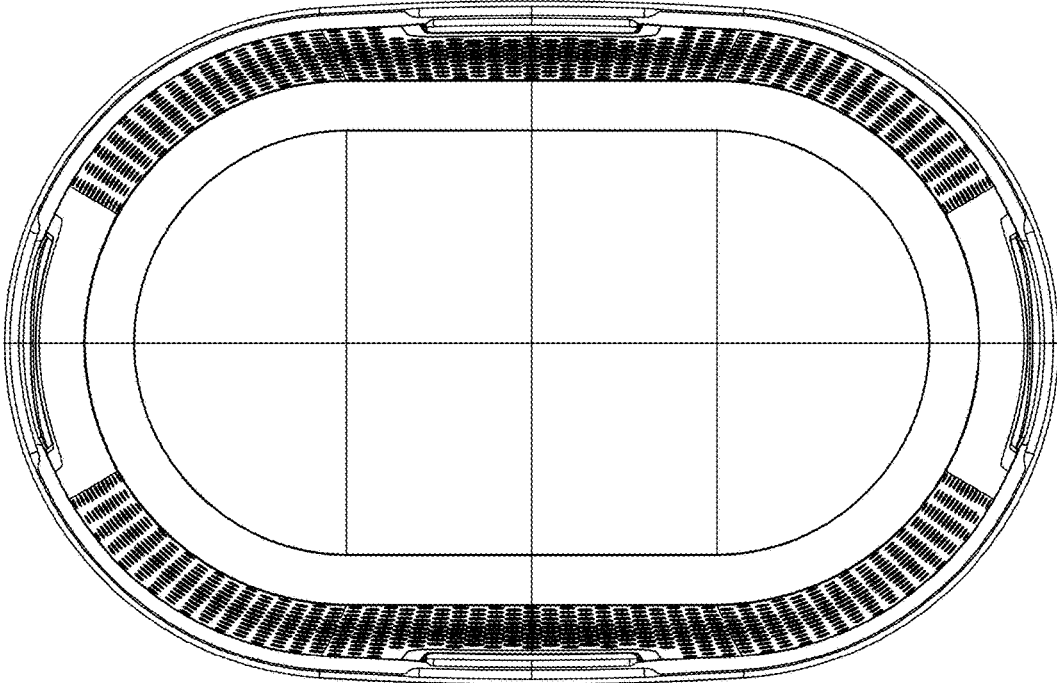


FIG. 5

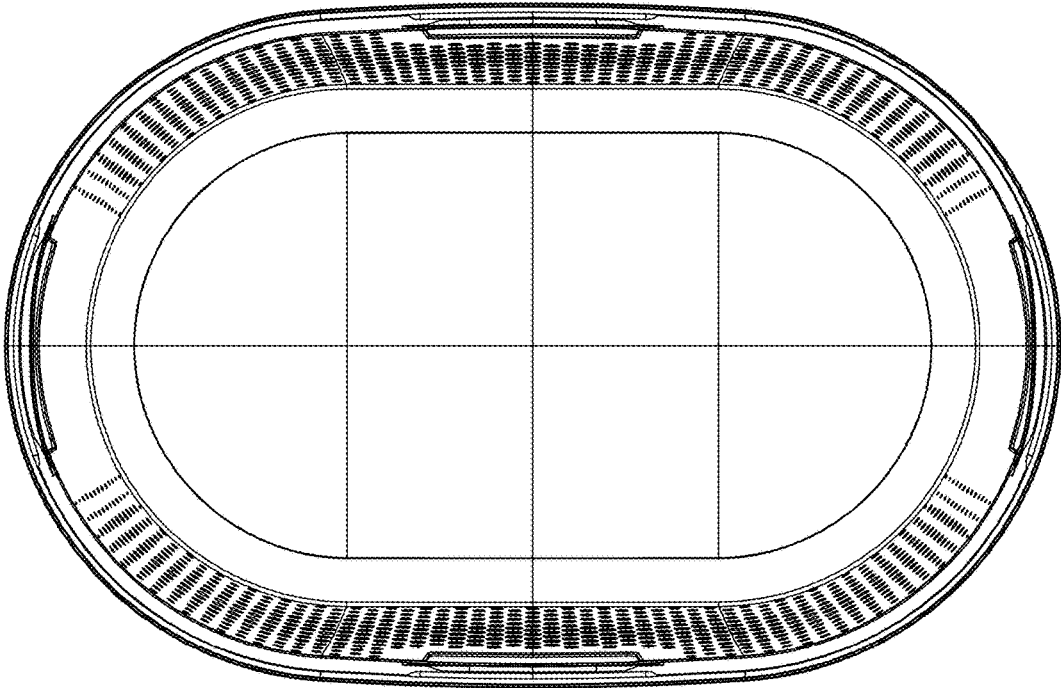


FIG. 6