



US00D527903S

(12) **United States Design Patent** (10) **Patent No.:** **US D527,903 S**
Chan (45) **Date of Patent:** **** Sep. 12, 2006**

(54) **SCREWDRIVER BOX**
(75) Inventor: **Sik-Leung Chan**, New Territories (CN)
(73) Assignee: **C. C. & L Company Limited**, Hong Kong (CN)
(**) Term: **14 Years**
(21) Appl. No.: **29/233,405**
(22) Filed: **Jun. 30, 2005**

(30) **Foreign Application Priority Data**

Mar. 23, 2005 (HK) 0500592

(51) **LOC (8) Cl.** **03-01**
(52) **U.S. Cl.** **D3/315; D3/905**
(58) **Field of Classification Search** D3/315,
D3/319, 328, 905; D19/77, 81, 84; D24/227,
D24/229; D28/73; 206/349, 372-379
See application file for complete search history.

(56) **References Cited**

U.S. PATENT DOCUMENTS

3,870,149 A * 3/1975 Huot 206/379
5,190,154 A * 3/1993 Reusch 206/375
D408,281 S * 4/1999 Chen D9/415
D413,391 S * 8/1999 Lapeus et al. D24/227
D413,677 S * 9/1999 Dumitrescu et al. D24/229
D414,936 S * 10/1999 Doubek D3/315
6,053,316 A * 4/2000 Lo 206/379
D431,359 S * 10/2000 Lapidus D3/273
D436,441 S * 1/2001 Lapidus D3/273
6,283,291 B1 * 9/2001 Vasudeva et al. 206/373
D464,486 S * 10/2002 Vasudeva D3/315

6,516,948 B1 * 2/2003 Caballero 206/373
D472,389 S * 4/2003 Vasudeva D3/315
2002/0014424 A1 * 2/2002 Budert 206/378
2002/0092786 A1 * 7/2002 Shu 206/379
2004/0079662 A1 * 4/2004 Wang 206/378
2005/0077198 A1 * 4/2005 Wikle et al. 206/373
2005/0126944 A1 * 6/2005 Wang 206/379
2005/0161356 A1 * 7/2005 Chen 206/373
2005/0178686 A1 * 8/2005 Pangerc et al. 206/379
2005/0241974 A1 * 11/2005 Chen 206/379
2006/0016706 A1 * 1/2006 Chen 206/379
2006/0042980 A1 * 3/2006 Chen 206/379

* cited by examiner

Primary Examiner—Phillip S. Hyder

Assistant Examiner—RoseLynne Ulm

(74) *Attorney, Agent, or Firm*—Alix, Yale & Ristas, LLP

(57) **CLAIM**

The ornamental design for a screwdriver box, as shown and described.

DESCRIPTION

FIG. 1 is a front perspective view of a screwdriver box showing my new design;

FIG. 2 is a front elevational view thereof;

FIG. 3 is a top plan view thereof;

FIG. 4 is a left side elevational view thereof;

FIG. 5 is a right side elevational view thereof;

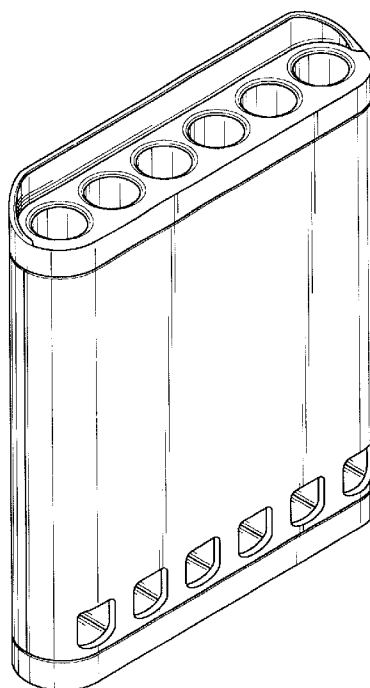
FIG. 6 is a rear elevational view thereof;

FIG. 7 is a bottom plan view thereof; and,

FIG. 8 is a front view thereof in using condition.

The broken line showing of FIG. 8 is for illustrative purposes and forms no part of the claimed design.

1 Claim, 5 Drawing Sheets



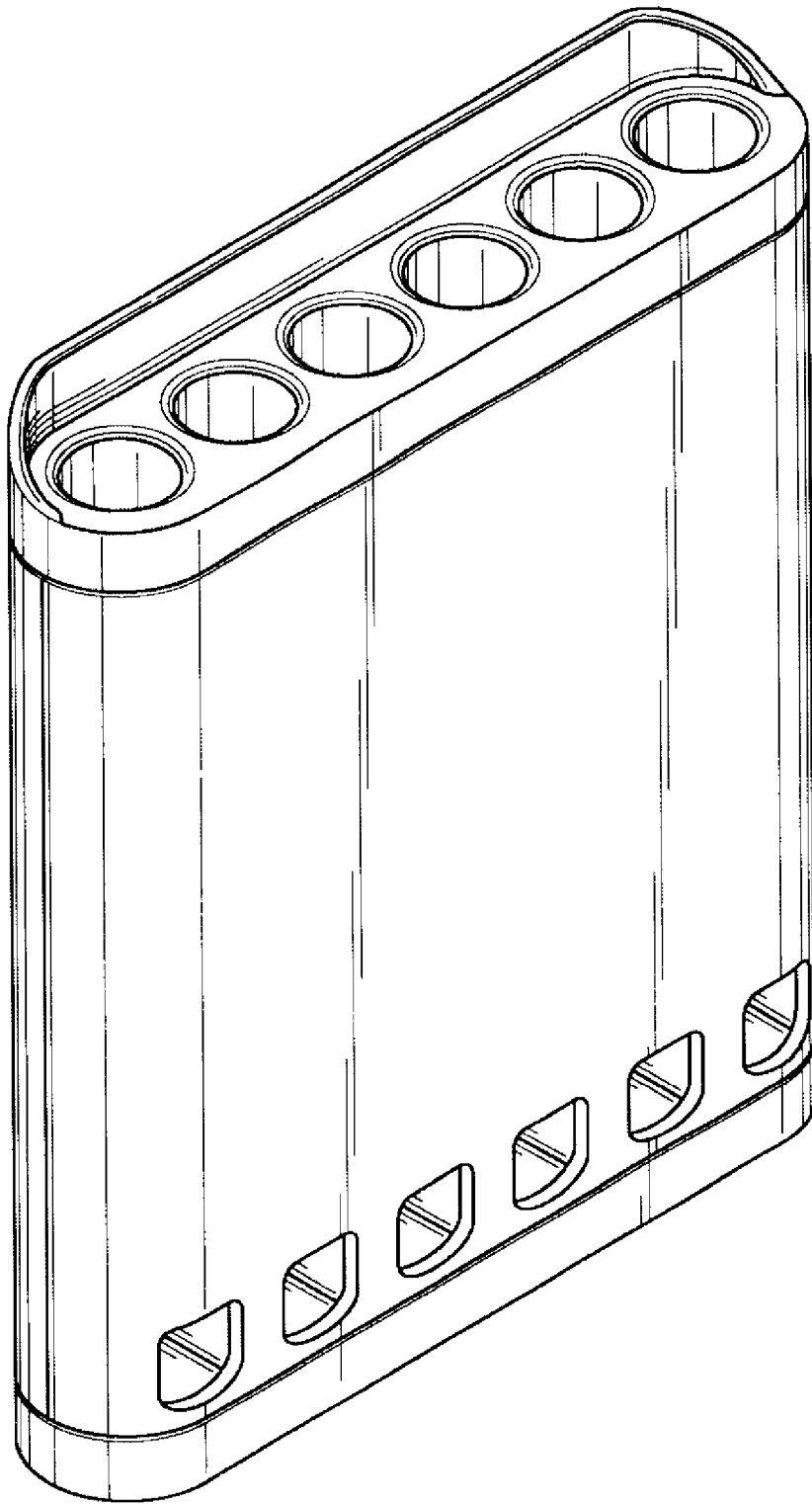


FIG. 1

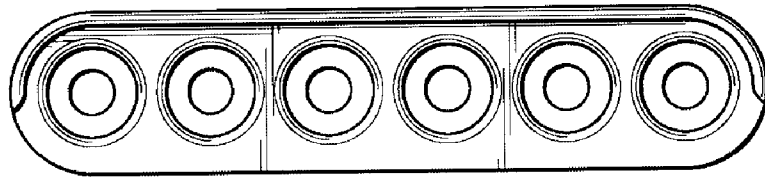


FIG. 3

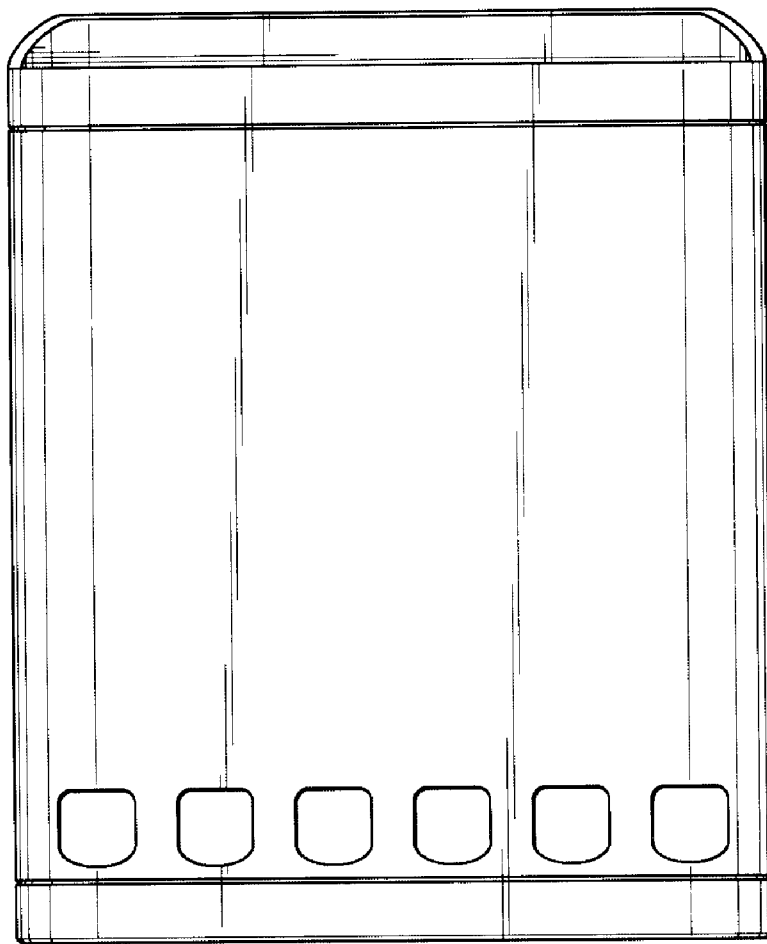


FIG. 2

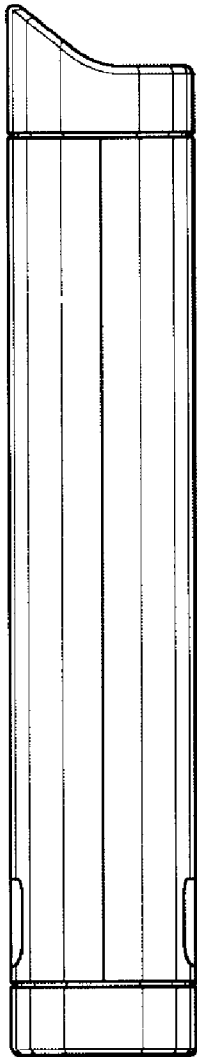


FIG. 4

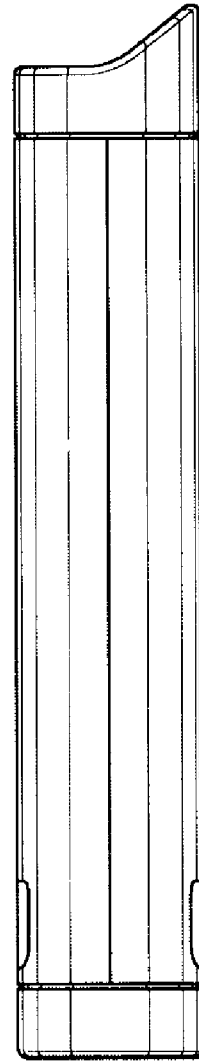


FIG. 5

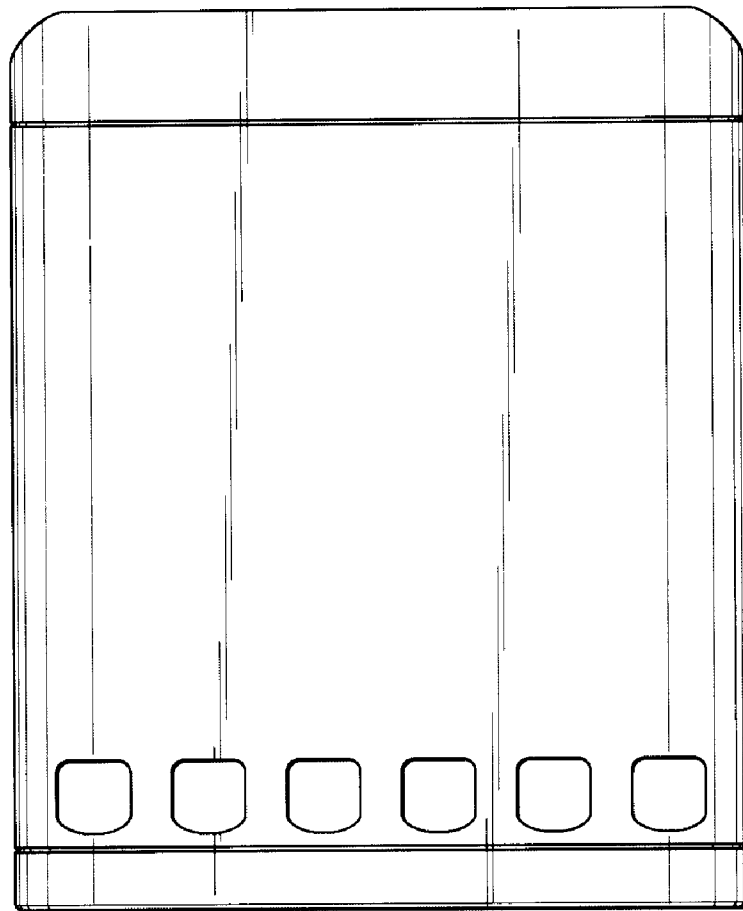


FIG. 6

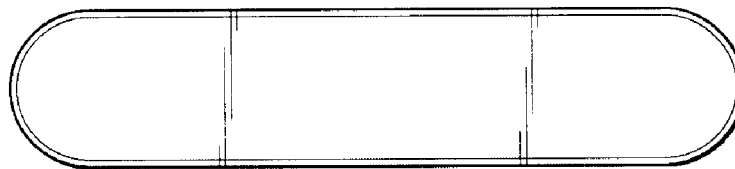


FIG. 7

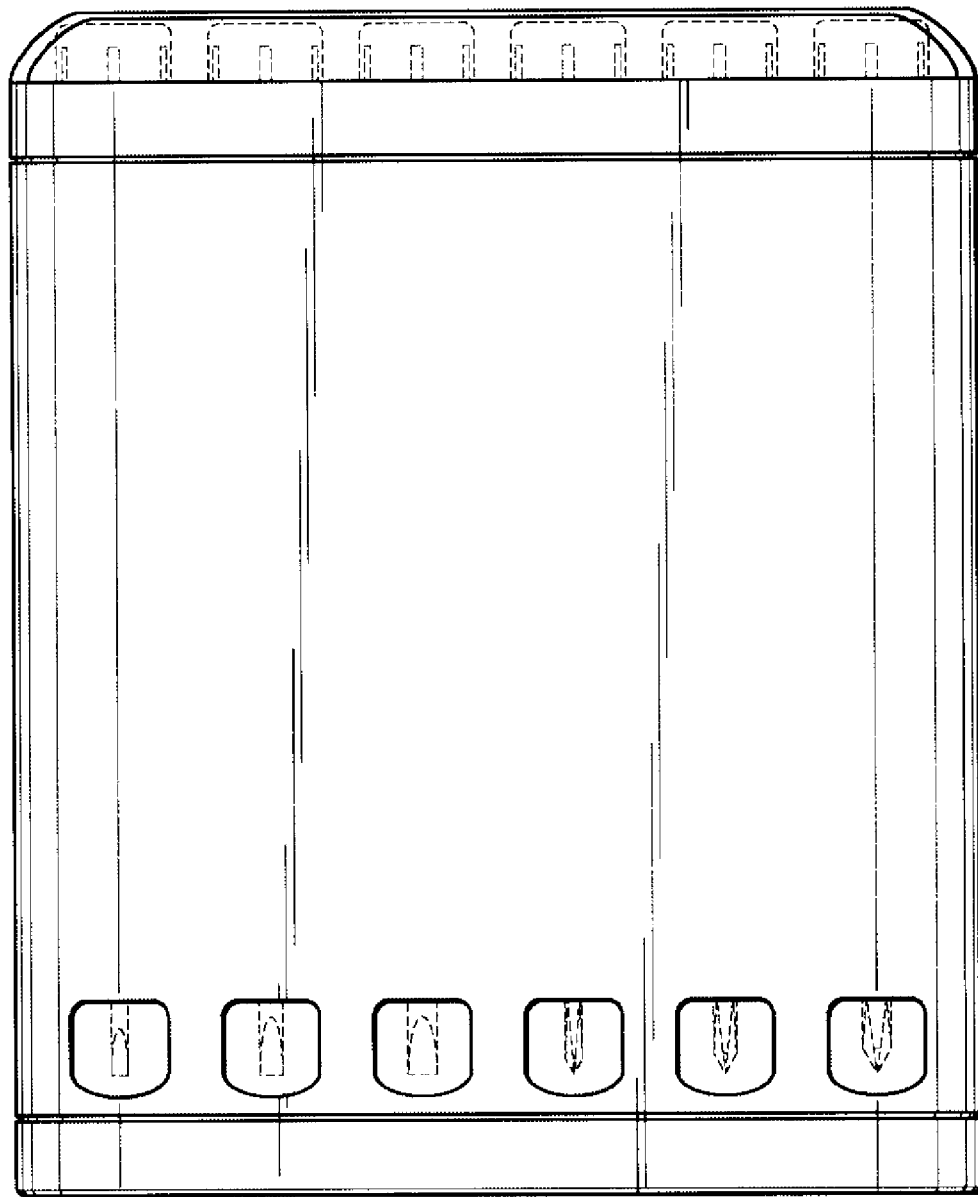


FIG. 8