

(19) World Intellectual Property Organization
International Bureau



(43) International Publication Date
7 August 2008 (07.08.2008)

PCT

(10) International Publication Number
WO 2008/094606 A3

(51) International Patent Classification:
E04C 1/00 (2006.01)

(21) International Application Number:
PCT/US2008/001236

(22) International Filing Date: 30 January 2008 (30.01.2008)

(25) Filing Language: English

(26) Publication Language: English

(30) Priority Data:
60/898,353 30 January 2007 (30.01.2007) US

(71) Applicant (for all designated States except US): **FIRE-
STONE BUILDING PRODUCTS, LLC** [US/US]; 250
W. 96th Street, Indianapolis, Indiana 46260 (US).

(72) Inventors; and

(75) Inventors/Applicants (for US only): **LETTS, John**
[US/US]; 3449 Eden Way Place, Carmel, Indiana 46033
(US). **BRANDT, Gregory** [US/US]; 510 W. Main Street,
Apt. A, Carmel, Indiana 46032 (US).

(74) Agents: **KINGSBURY, Thomas** et al; 1200 Firestone
Parkway, Akron, Ohio 44313 (US).

(81) Designated States (unless otherwise indicated, for every
kind of national protection available): AE, AG, AL, AM,
AO, AT, AU, AZ, BA, BB, BG, BH, **BR**, BW, BY, BZ, CA,
CH, CN, CO, CR, CU, CZ, DE, DK, DM, DO, DZ, EC, EE,
EG, ES, FI, GB, GD, GE, GH, GM, GT, HN, **HR**, HU, **ID**,
IL, IN, IS, **JP**, KE, KG, KM, KN, KP, KR, KZ, LA, LC,
LK, LR, LS, LT, LU, LY, MA, MD, ME, MG, MK, MN,
MW, MX, MY, MZ, NA, NG, NI, NO, NZ, OM, PG, PH,
PL, PT, RO, RS, RU, SC, SD, SE, SG, SK, SL, SM, SV,
SY, TJ, TM, TN, TR, TT, TZ, UA, UG, US, UZ, VC, VN,
ZA, ZM, ZW

(84) Designated States (unless otherwise indicated, for every
kind of regional protection available): ARIPO (BW, GH,
GM, KE, LS, MW, MZ, NA, SD, SL, SZ, TZ, UG, ZM,
ZW), Eurasian (AM, AZ, BY, KG, KZ, MD, RU, TJ, TM),
European (AT, BE, BG, CH, CY, CZ, DE, DK, EE, ES, FI,
FR, GB, GR, HR, HU, IE, IS, IT, LT, LU, LV, MC, MT, NL,
NO, PL, PT, RO, SE, SI, SK, TR), OAPI (BF, BJ, CF, CG,
CI, CM, GA, GN, GQ, GW, ML, MR, NE, SN, TD, TG).

Published:
— with international search report

(88) Date of publication of the international search report:
16 October 2008

(54) Title: HIGH DENSITY POLYURETHANE AND POLYISOCYANURATE CONSTRUCTION BOARDS AND COMPOSITE BOARDS

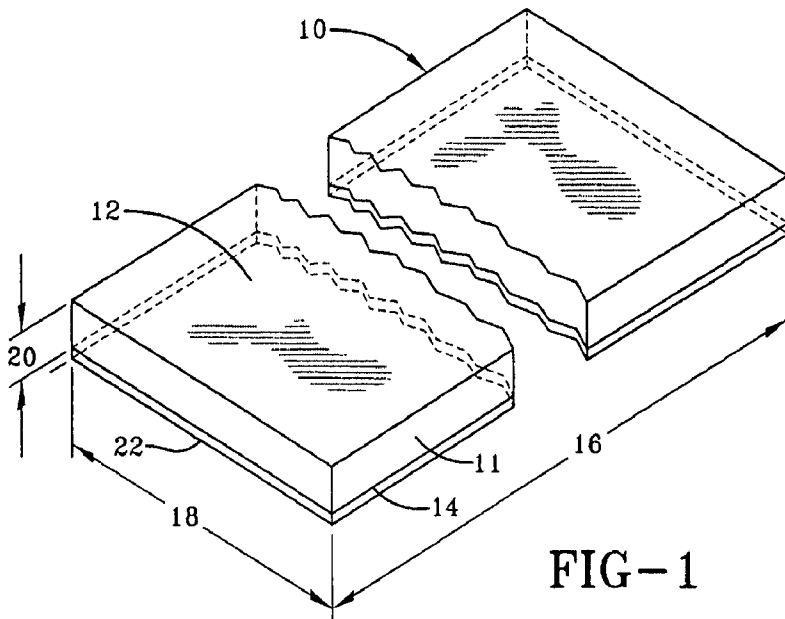


FIG-1

(57) Abstract: A construction board comprising a cellular body including at least one planar surface, where the cellular body includes a polyurethane or polyisocyanurate cellular structure, where the cellular structure has a density greater than about 2.5 pounds per cubic foot, an ISO index of at least 270, and where the cellular body includes at least 5.0% by weight flame retardant based on the weight of the cellular body.

WO 2008/094606 A3

INTERNATIONAL SEARCH REPORT

International application No
PCT/US2008/001236

A CLASSIFICATION OF SUBJECT MATTER IPC(8) - E04C 1/00 (2008.04) USPC - 52/309.7 According to International Patent Classification (IPC) or to both national classification and IPC		
B FIELDS SEARCHED Minimum documentation searched (classification system followed by classification symbols) IPC(8) - E04C 1/00 (2008 04) USPC - 52/309 7 Documentation searched other than minimum documentation to the extent that such documents are included in the fields searched Electronic data base consulted during the international search (name of data base and, where practicable, search terms used) PatBase		
C DOCUMENTS CONSIDERED TO BE RELEVANT		
Category*	Citation of document, with indication, where appropriate, of the relevant passages	Relevant to claim No
Y	US 2006/01 79749 A 1 (BRANDT et al) 17 August 2006 (17 08 2006) entire document	1-7
Y	US 2006/0127664 A 1 (GEARY et al) 15 June 2006 (15 06 2006) entire document	1-7
D Further documents are listed in the continuation of Box C <input type="checkbox"/>		
* Special categories of cited documents "A" document defining the general state of the art which is not considered to be of particular relevance "E" earlier application or patent but published on or after the international filing date "L" document which may throw doubts on priority claim(s) or which is cited to establish the publication date of another citation or other special reason (as specified) "O" document referring to an oral disclosure, use, exhibition or other means "P" document published prior to the international filing date but later than the priority date claimed "T" later document published after the international filing date or priority date and not in conflict with the application but cited to understand the principle or theory underlying the invention "X" document of particular relevance the claimed invention cannot be considered novel or cannot be considered to involve an inventive step when the document is taken alone "Y" document of particular relevance, the claimed invention cannot be considered to involve an inventive step when the document is combined with one or more other such documents, such combination being obvious to a person skilled in the art "&" document member of the same patent family		
Date of the actual completion of the international search 16 May 2008		Date of mailing of the international search report <p style="text-align: center;">OUUL 2008</p>
Name and mailing address of the ISA/US Mail Stop PCT, Attn ISA/US, Commissioner for Patents P O Box 1450, Alexandria, Virginia 22313-1450 Facsimile No 571-273-3201		Authorized officer Blame R Copenheaver PCT Helpdesk 571 272-4300 PCTOSP 571-272 7774