



US00D744339S

(12) **United States Design Patent**
Tillman

(10) **Patent No.:** **US D744,339 S**

(45) **Date of Patent:** **** Dec. 1, 2015**

(54) **SPORT BOTTLE CAP**

(71) Applicant: **Christopher Lee Tillman**, Mableton,
GA (US)

(72) Inventor: **Christopher Lee Tillman**, Mableton,
GA (US)

(**) Term: **14 Years**

(21) Appl. No.: **29/524,397**

(22) Filed: **Apr. 20, 2015**

Related U.S. Application Data

(62) Division of application No. 29/486,542, filed on Mar.
31, 2014, now Pat. No. Des. 734,148.

(51) **LOC (10) Cl.** **09-07**

(52) **U.S. Cl.**
USPC **D9/451**

(58) **Field of Classification Search**

USPC D7/396.2, 507, 509, 510, 511;
D9/434-455, 524, 682, 685, 694;
215/200, 235, 236, 252, 254, 329,
215/355-364; 220/203.04-203.07, 220,
220/254.1, 254.4, 556, 703, 704, 705;
D6/542-545; D12/162
CPC B65D 35/44; B65D 2203/00; B65D 11/04;
A63B 41/08

See application file for complete search history.

(56) **References Cited**

U.S. PATENT DOCUMENTS

D390,112 S * 2/1998 Tucker D9/451
D394,884 S * 6/1998 Paolucci D21/372

D469,571 S * 1/2003 Franzblau D27/193
D482,282 S * 11/2003 Angeletta D9/451
D505,688 S * 5/2005 Allen D16/227
D513,686 S * 1/2006 Bailey D7/515
D561,652 S * 2/2008 Friga D12/162
D627,358 S * 11/2010 Allo Allo et al. D14/440
D640,496 S * 6/2011 Lam D7/325
D644,936 S * 9/2011 Gilliard, II D9/668
D677,980 S * 3/2013 Levin D7/392
D690,057 S * 9/2013 Wehr D30/102
D710,153 S * 8/2014 Marini D7/515

* cited by examiner

Primary Examiner — Robert M Spear

Assistant Examiner — Marissa J Cash

(74) *Attorney, Agent, or Firm* — Mathew L. Grell; Balsler &
Grell IP Law

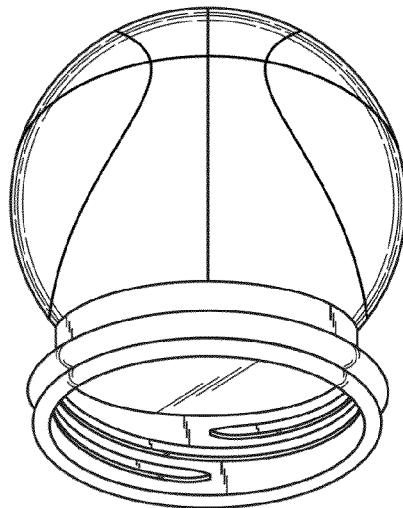
(57) **CLAIM**

The ornamental design for a sport bottle cap, as shown and
described.

DESCRIPTION

FIG. 1 is a perspective view of a sport bottle cap, showing my
new design;
FIG. 2 is a left view the right side view being a mirror image
thereof;
FIG. 3 is a top view thereof;
FIG. 4 is a bottom view thereof; and,
FIG. 5 is a front view thereof, shown in use on a bottle that
forms no part of the claim.
The broken lines shown in FIG. 5 represent the portions of a
sport bottle which form no part of the claimed design.

1 Claim, 2 Drawing Sheets



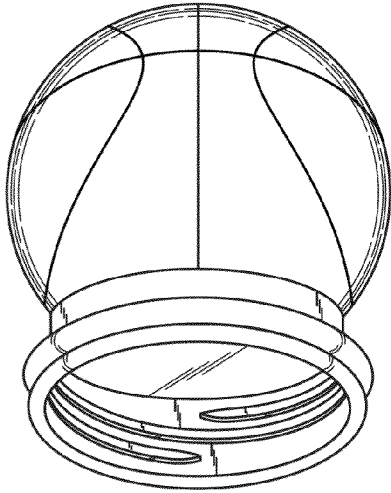


FIG. 1

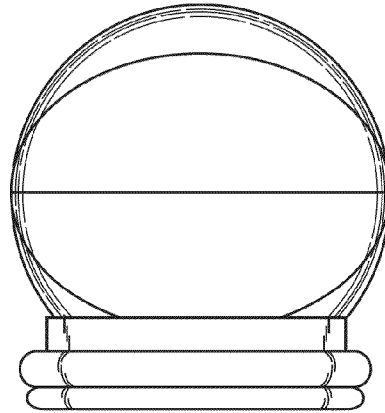


FIG. 2

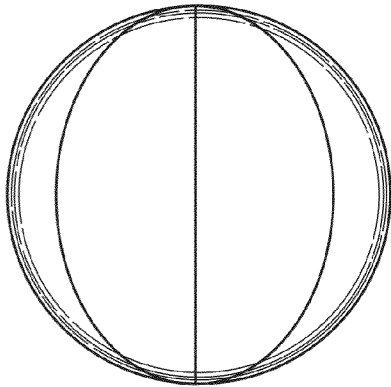


FIG. 3

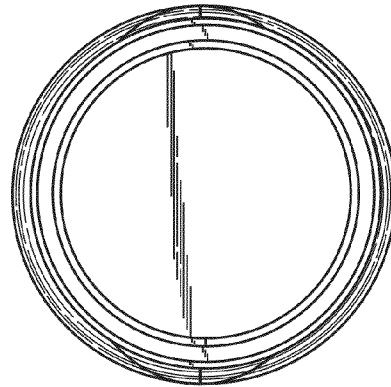


FIG. 4

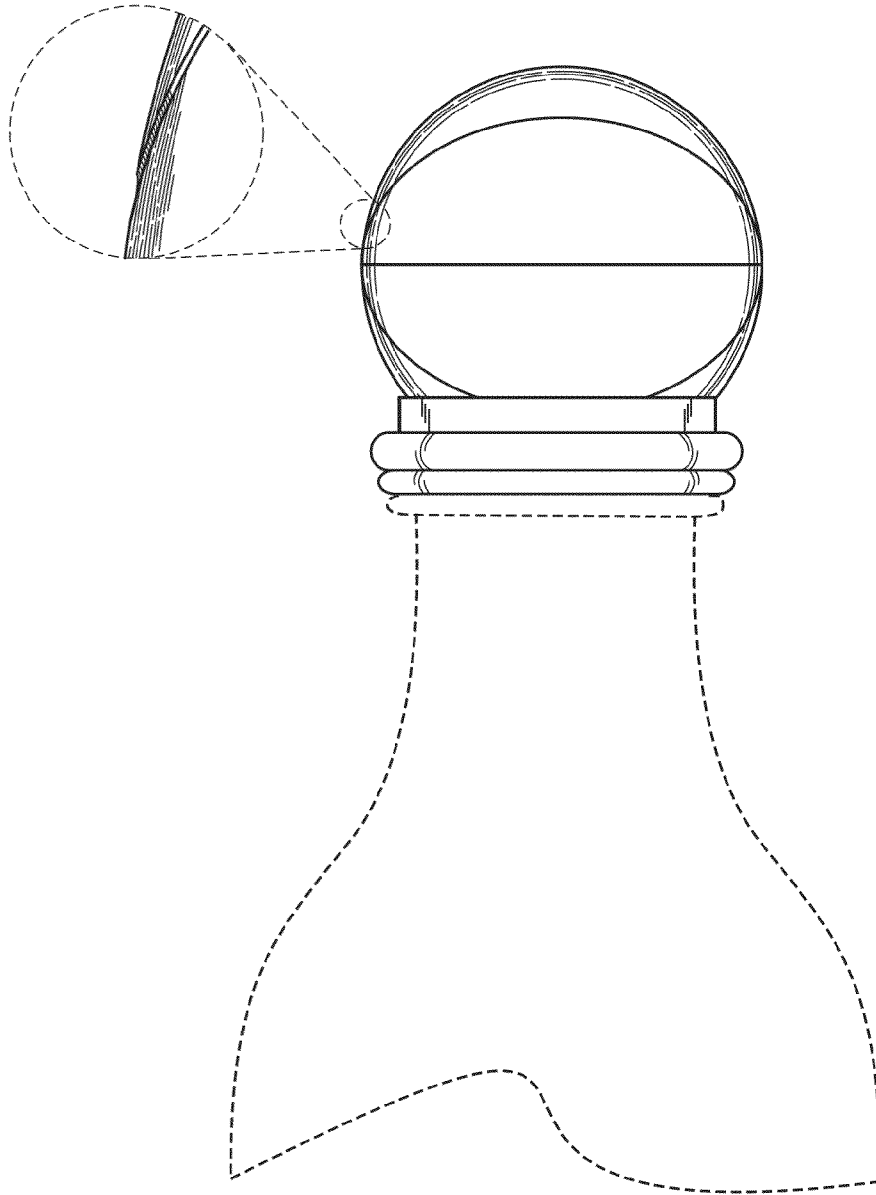


FIG. 5