



US00D991406S

(12) **United States Design Patent**
Xu

(10) **Patent No.:** **US D991,406 S**

(45) **Date of Patent:** **** Jul. 4, 2023**

(54) **FAUCET ASSEMBLY**

(71) Applicant: **Chao Xu**, Suzhou (CN)

(72) Inventor: **Chao Xu**, Suzhou (CN)

(**) Term: **15 Years**

(21) Appl. No.: **29/859,257**

(22) Filed: **Nov. 9, 2022**

(51) **LOC (14) Cl.** **23-01**

(52) **U.S. Cl.**
USPC **D23/238; D23/242**

(58) **Field of Classification Search**

USPC D23/213, 238–244, 249–250, 252, 254,
D23/255, 257; D8/307–308, 352
CPC . E03C 1/02; E03C 1/04; E03C 1/0404; E03C
1/0412; F16K 31/602; F16K 31/605;
F16K 31/607; Y10T 137/6014; Y10T
137/6024; Y10T 137/9464; Y10T
137/6017

See application file for complete search history.

(56) **References Cited**

U.S. PATENT DOCUMENTS

D443,920 S * 6/2001 Lord D23/250
D458,347 S * 6/2002 Mullenmeister D23/250
D545,946 S * 7/2007 Kemp D23/249
D581,488 S * 11/2008 Dolan D23/250
D609,788 S * 2/2010 Schoenherr D23/250
D645,942 S * 9/2011 Flowers D23/250
D683,432 S * 5/2013 Berger D23/242
D689,986 S * 9/2013 Lord D23/238
D692,105 S * 10/2013 Garland D23/238

(Continued)

OTHER PUBLICATIONS

Parlos Waterfall Widespread Bathroom Faucet, available in Amazon.com, date first available Sep. 17, 2019[online], [site visited Dec. 20,

2022], Available from the internet URL: <https://www.amazon.com/PARLOS-Waterfall-Widespread-Bathroom-1431804/dp/B07XZ428Y6> (Year: 2019).*

(Continued)

Primary Examiner — Amy C Wierenga

Assistant Examiner — Kathryn Elizabeth Zieno

(74) *Attorney, Agent, or Firm* — Daniel M. Cohn;
Howard M. Cohn

(57) **CLAIM**

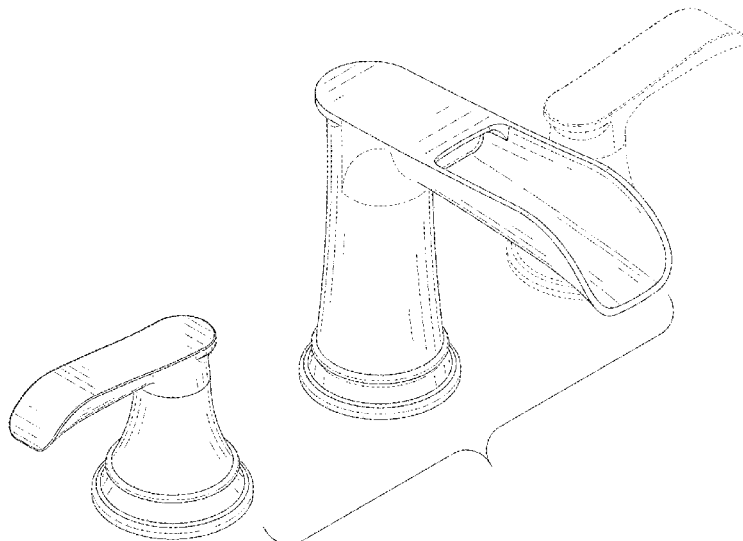
The ornamental design for a faucet assembly, as shown and described.

DESCRIPTION

FIG. 1 is a perspective view of a first component of a faucet assembly, shown separately for ease of illustration; FIG. 2 is another perspective view thereof; FIG. 3 is a front elevational view thereof; FIG. 4 is a rear elevational view thereof; FIG. 5 is a left side elevational view thereof; FIG. 6 is a right side elevational view thereof; FIG. 7 is a top plan view thereof; FIG. 8 is a bottom plan view thereof; FIG. 9 is a perspective view of a second component of a faucet assembly, shown separately for ease of illustration; FIG. 10 is another perspective view thereof; FIG. 11 is a front elevational view thereof; FIG. 12 is a rear elevational view thereof; FIG. 13 is a left side elevational view thereof; FIG. 14 is a right side elevational view thereof; FIG. 15 is a top plan view thereof; FIG. 16 is a bottom plan view thereof; and, FIG. 17 is a perspective view of the first component and the second component of the faucet assembly shown in a position of use.

The broken lines in the drawings depict portions of the faucet assembly that form no part of the claimed design. The broken lines shown in FIG. 17 show portions of the faucet assembly and environmental subject matter that form no part of the claimed design.

1 Claim, 17 Drawing Sheets



(56)

References Cited

U.S. PATENT DOCUMENTS

D717,401	S	*	11/2014	Fritz	D23/238
D717,915	S	*	11/2014	Fritz	D23/239
D854,662	S	*	7/2019	Schaubach	D23/255
D859,592	S	*	9/2019	Seum	D23/242
D861,137	S	*	9/2019	Chen	D23/255
D861,138	S	*	9/2019	Chen	D23/255
D873,965	S		1/2020	Lazarini		
D896,349	S	*	9/2020	Kuang	D23/242
D903,826	S	*	12/2020	Zhang	D23/238
D916,242	S	*	4/2021	Xie	D23/238
D918,343	S	*	5/2021	Fang	D23/238
D918,345	S	*	5/2021	Stoler	D23/252
D930,118	S		9/2021	Elser		
D931,415	S	*	9/2021	Stoler	D23/238
D932,592	S	*	10/2021	Lazarini	D23/238
D933,782	S	*	10/2021	Bahler	D23/238
D940,826	S	*	1/2022	Lazarini	D23/238
D954,229	S	*	6/2022	Hui	D23/255
D956,183	S	*	6/2022	Yan	D23/238
D959,611	S	*	8/2022	Yang	D23/238
D963,801	S	*	9/2022	Chang	D23/241
D975,824	S	*	1/2023	Feng	D23/238
D976,368	S	*	1/2023	Feng	D23/238

OTHER PUBLICATIONS

Pfister LF049JDGS Jaida Widespread, available in Amazon.com, date first available Sep. 12, 2018 [online], [site visited Dec. 21, 2022], Available from the internet URL: <https://www.amazon.com/Pfister-LF-049-JDGS-Bathroom-Defense-Brushed/dp/B07H9R9Z27> (Year: 2018).*

* cited by examiner

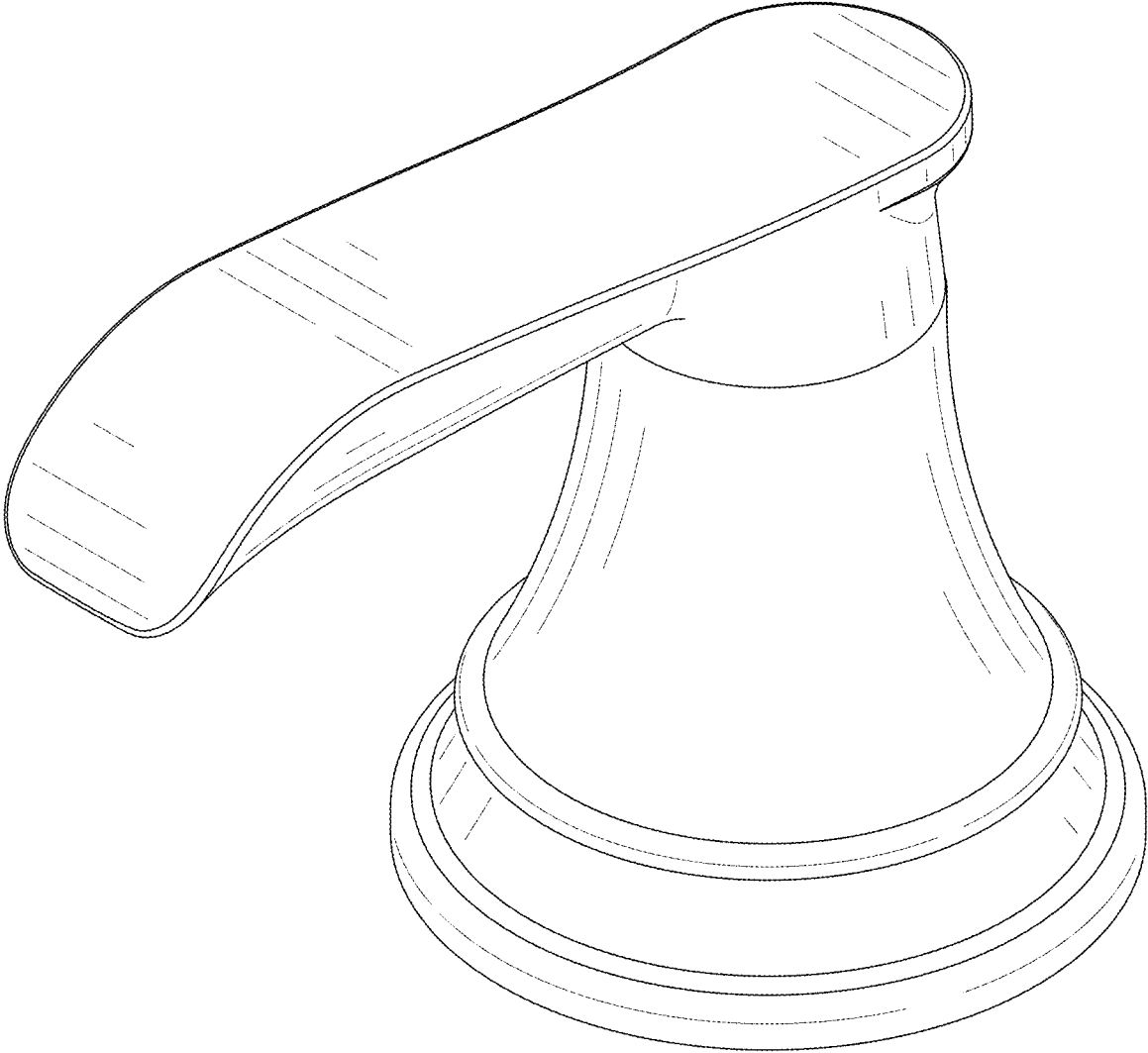


FIG. 1

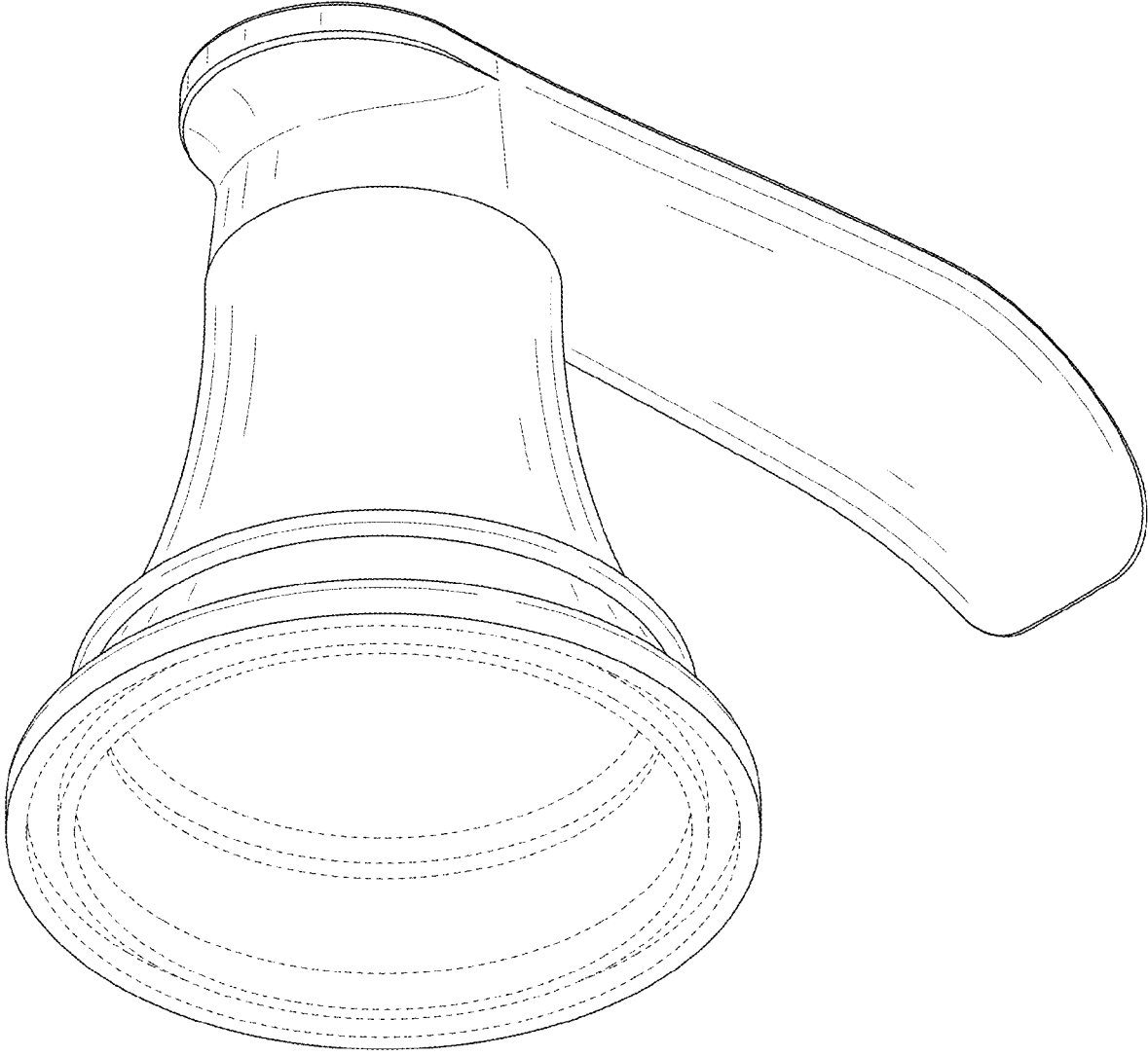


FIG. 2

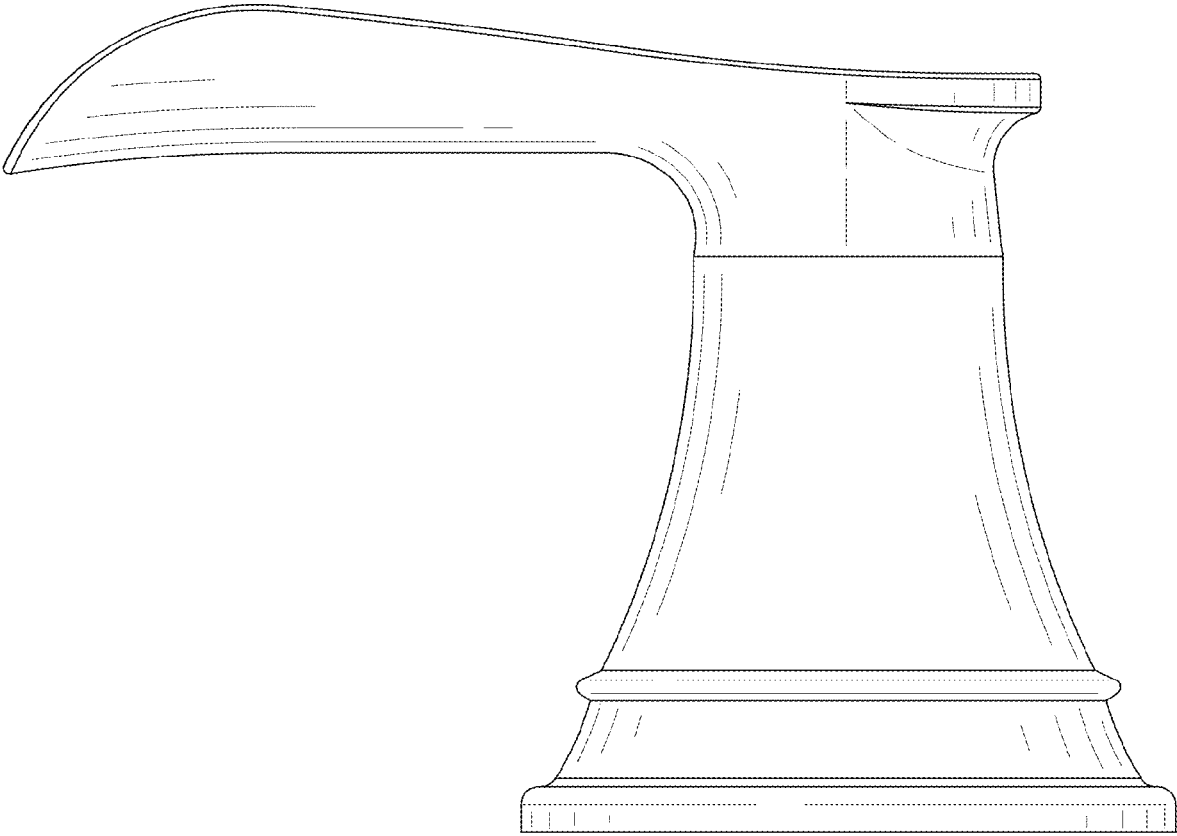


FIG. 3

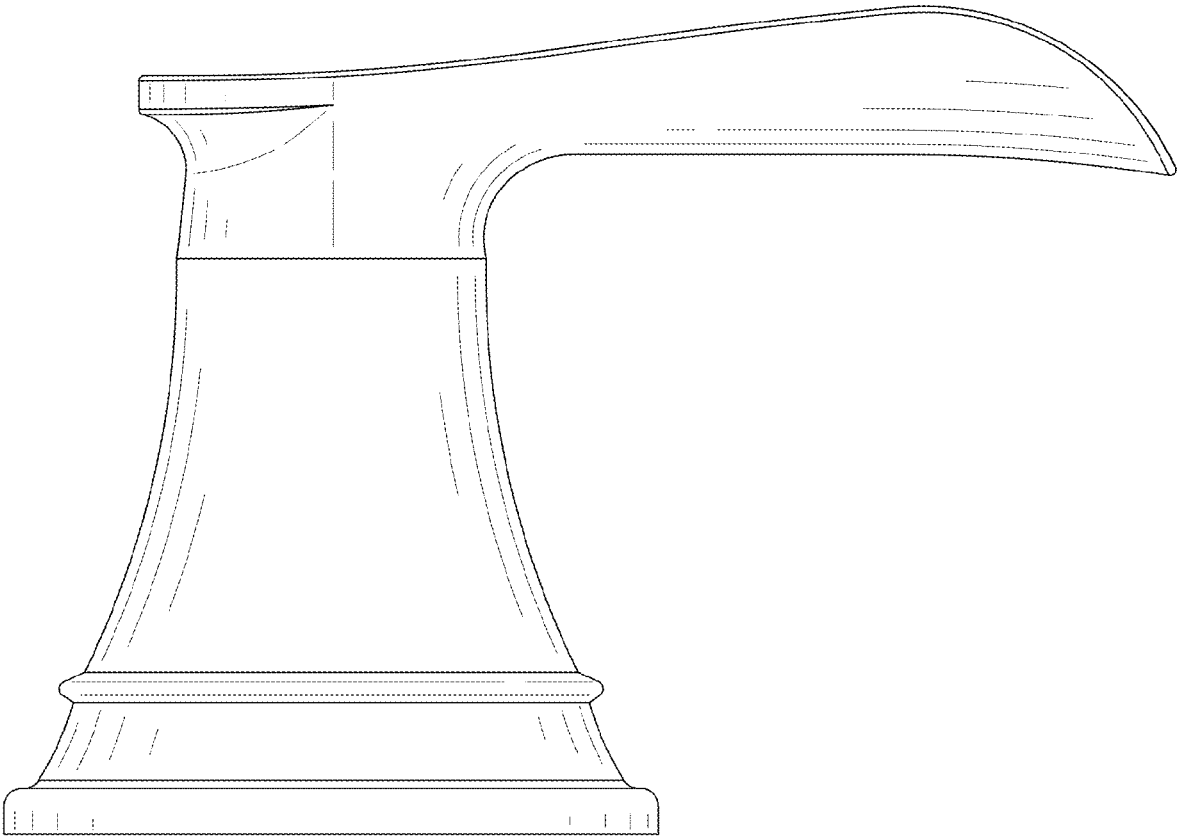


FIG. 4

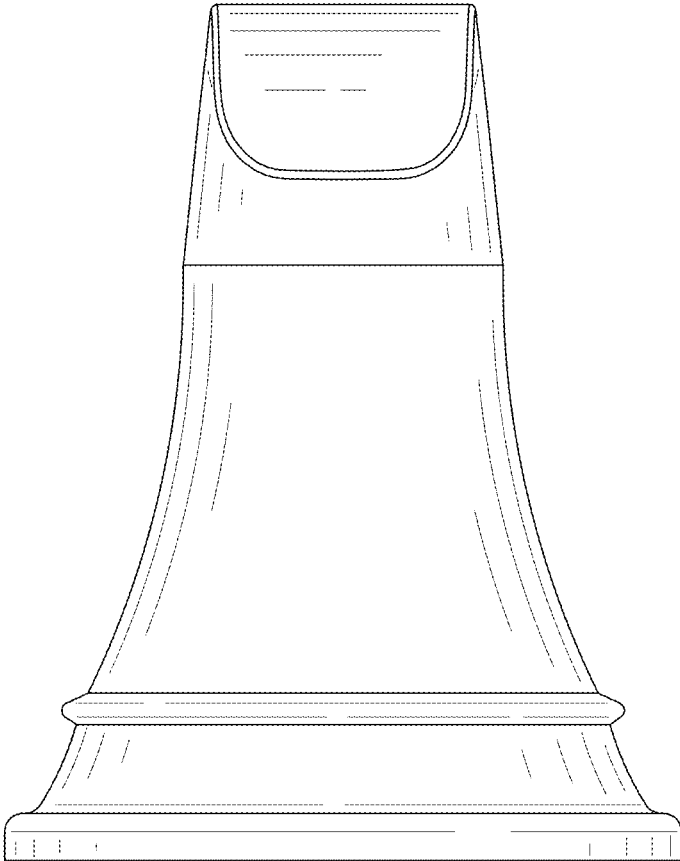


FIG. 5

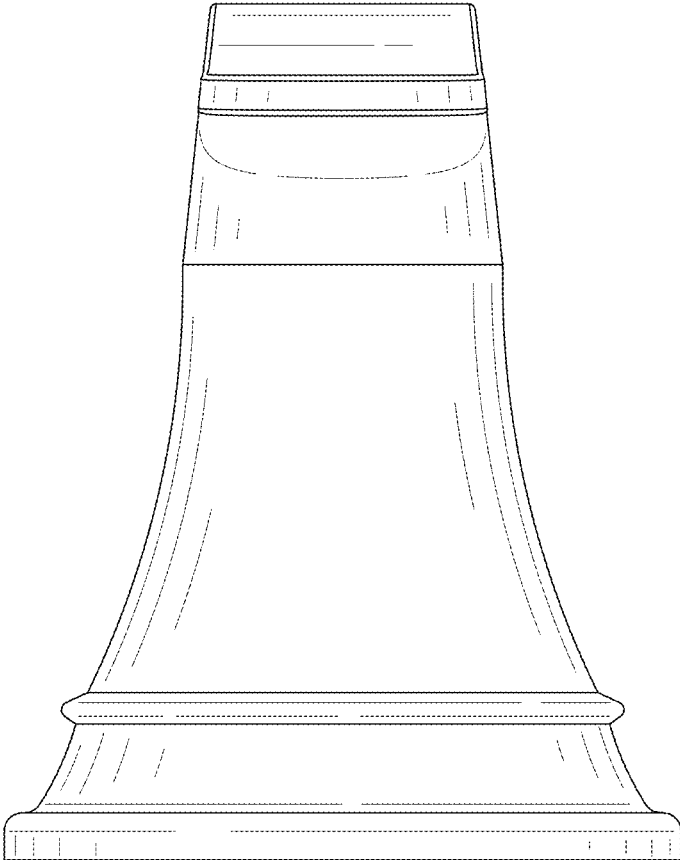


FIG. 6

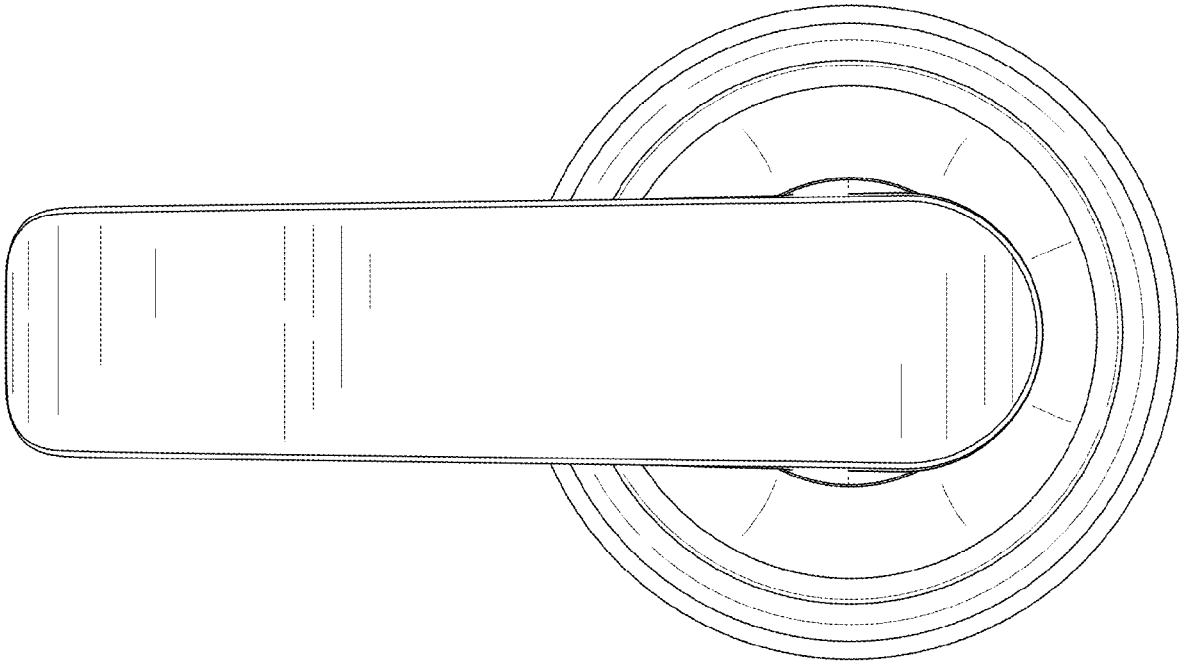


FIG. 7

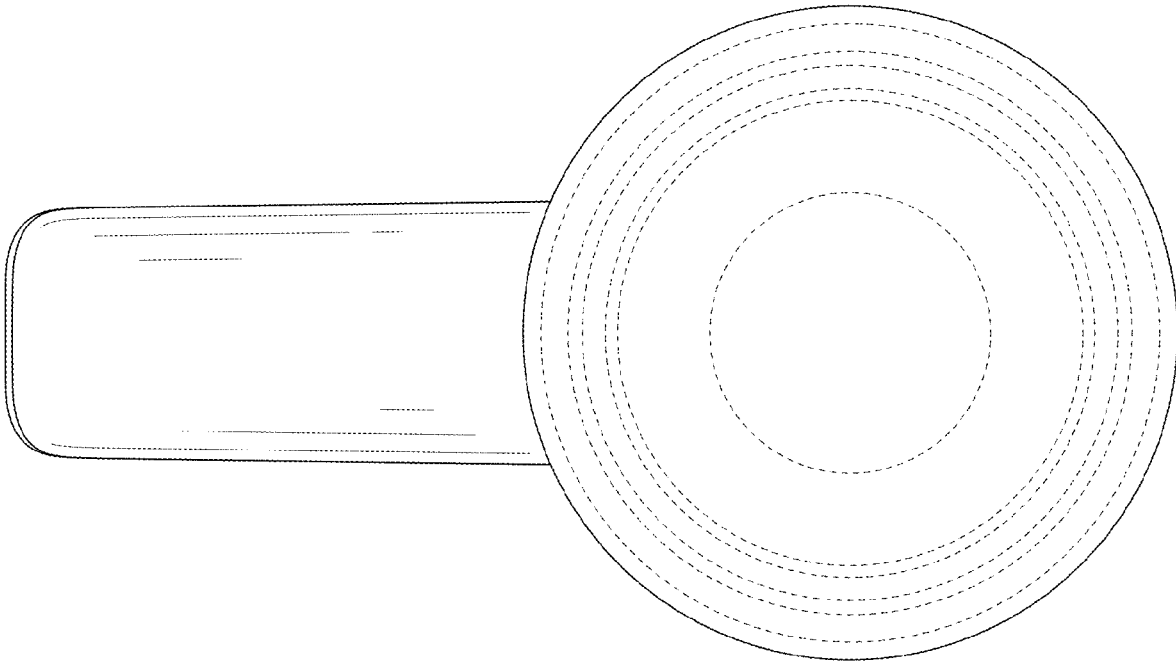


FIG. 8

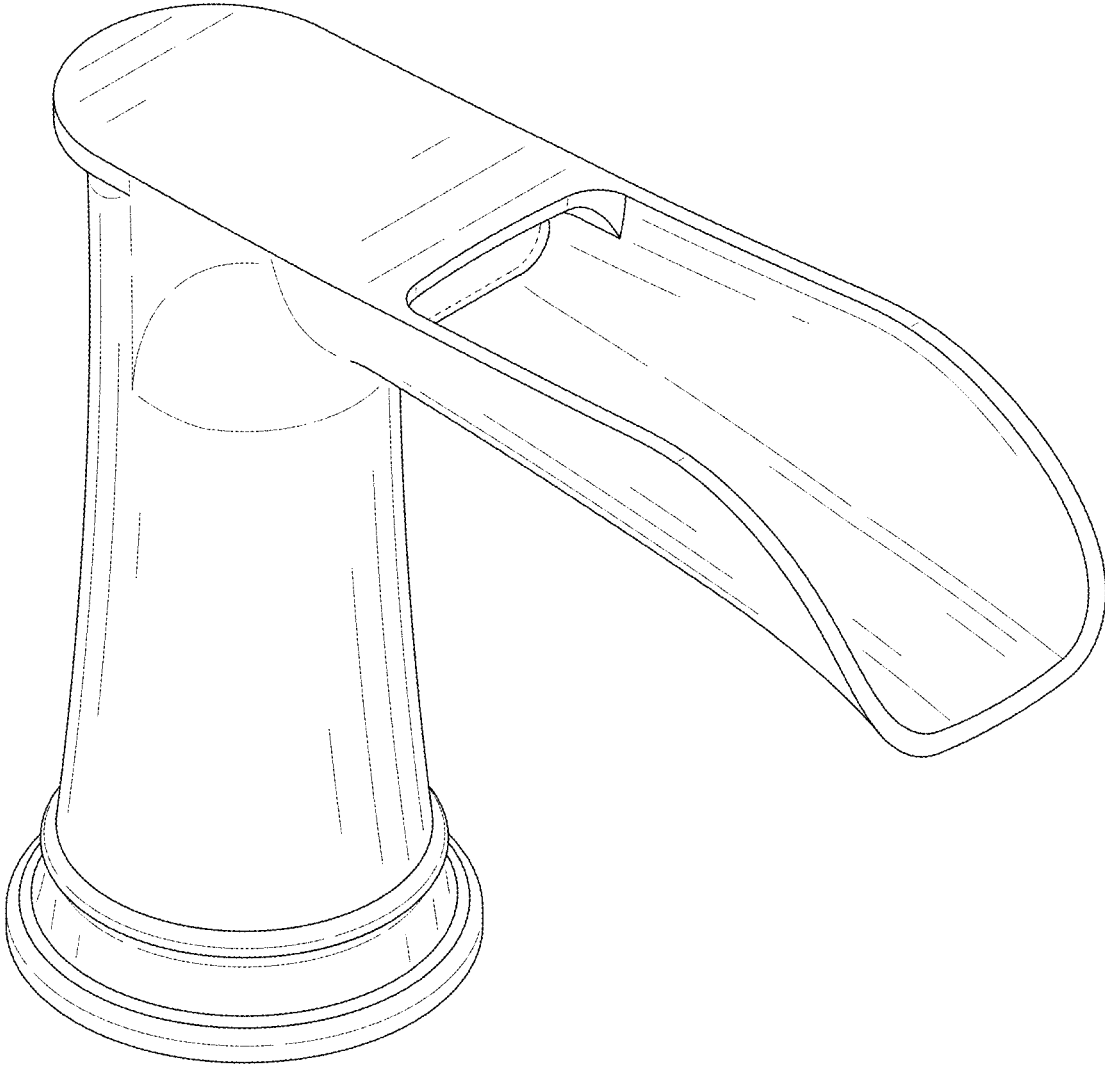


FIG. 9

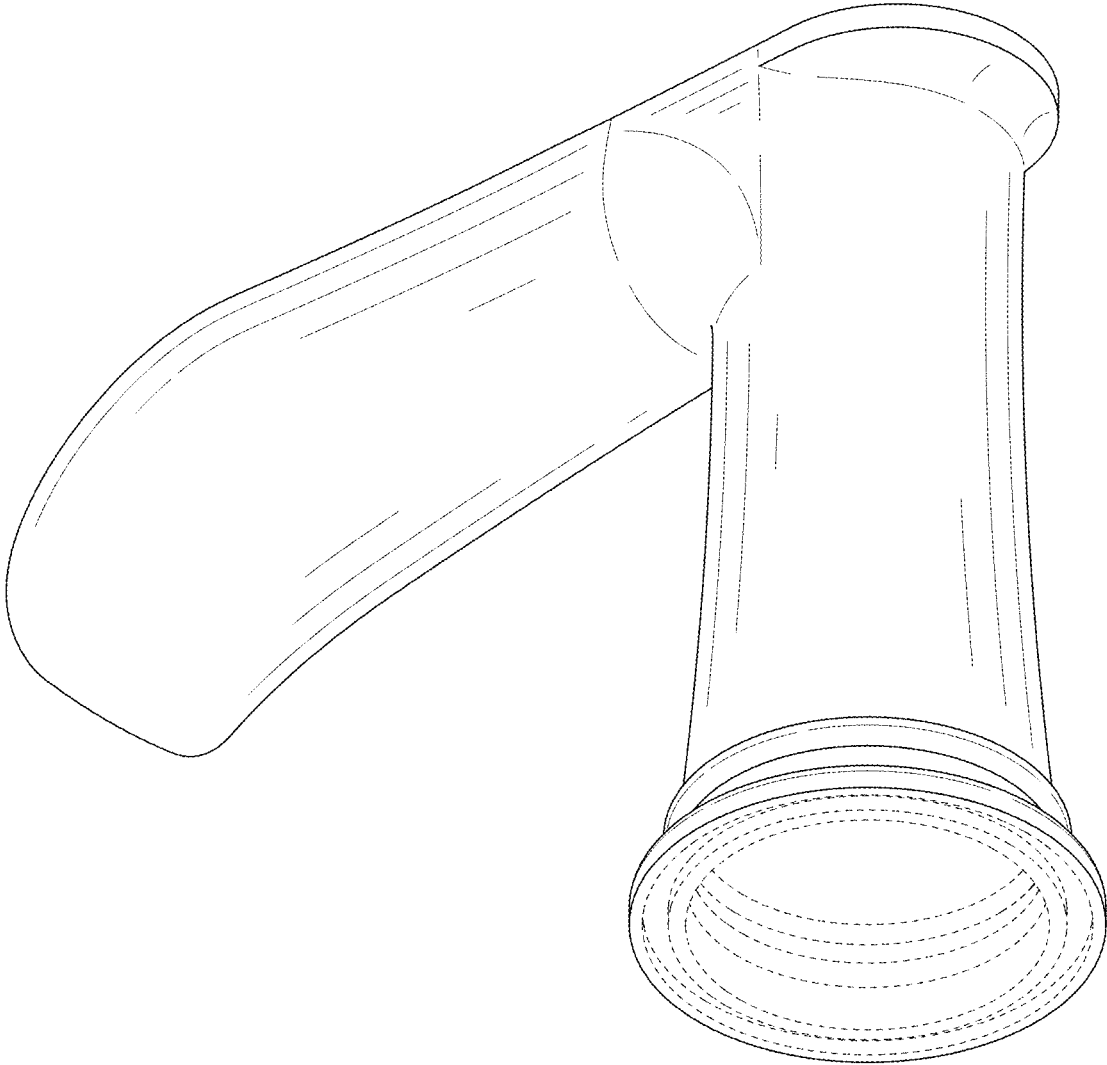


FIG. 10

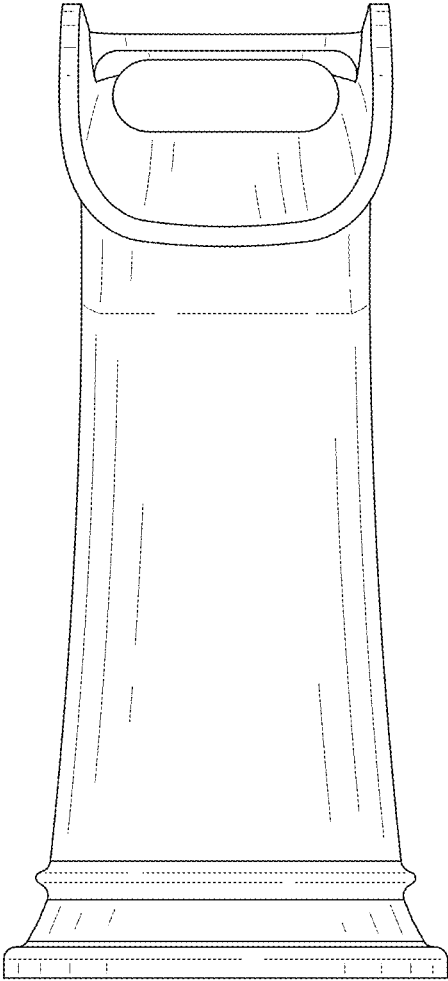


FIG. 11

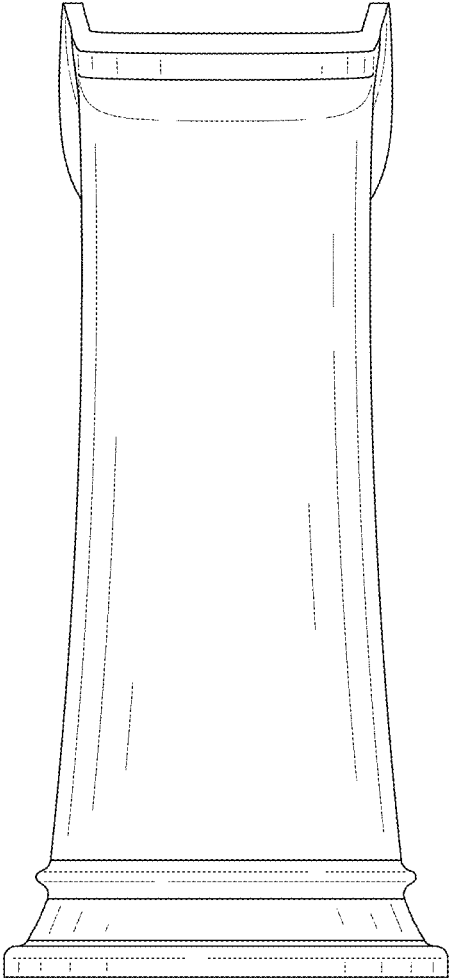


FIG. 12

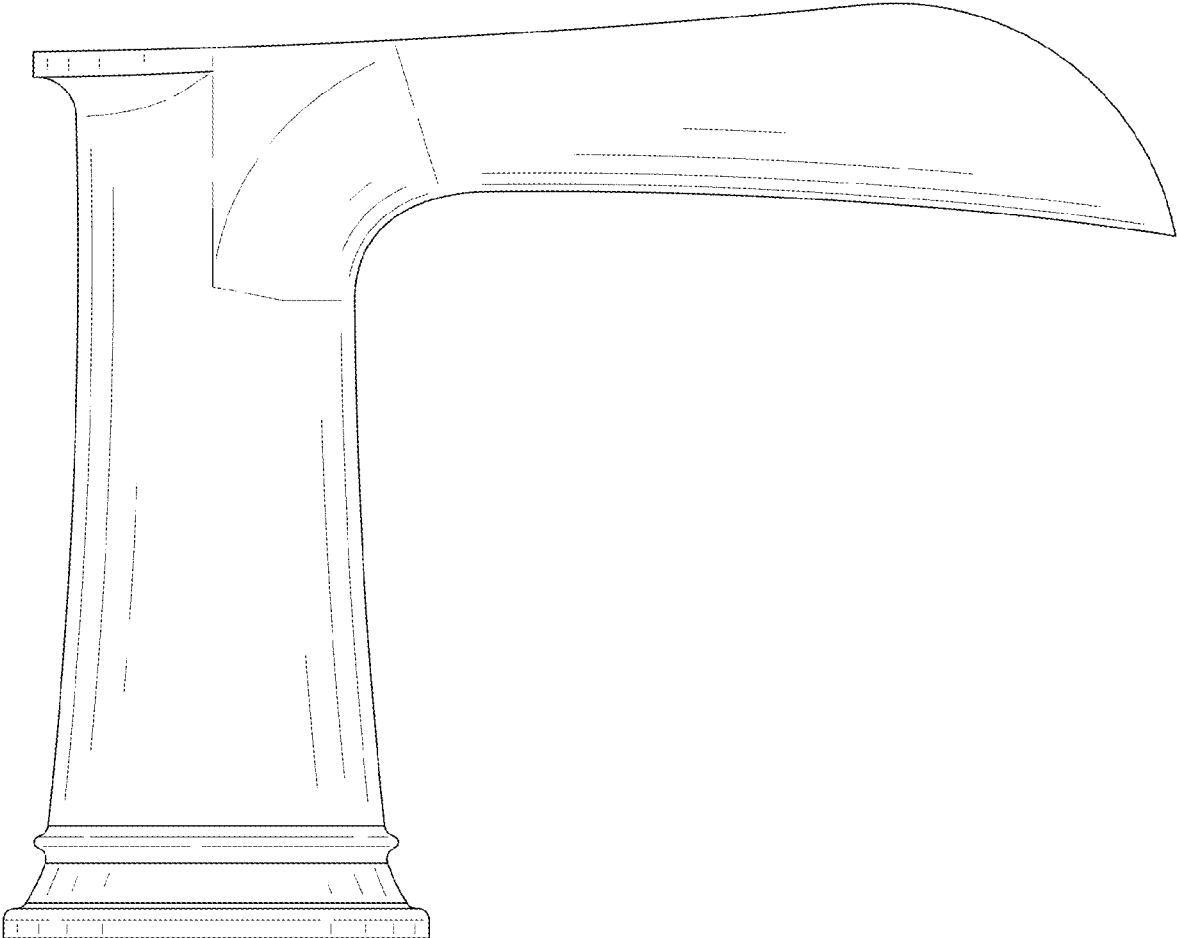


FIG. 13

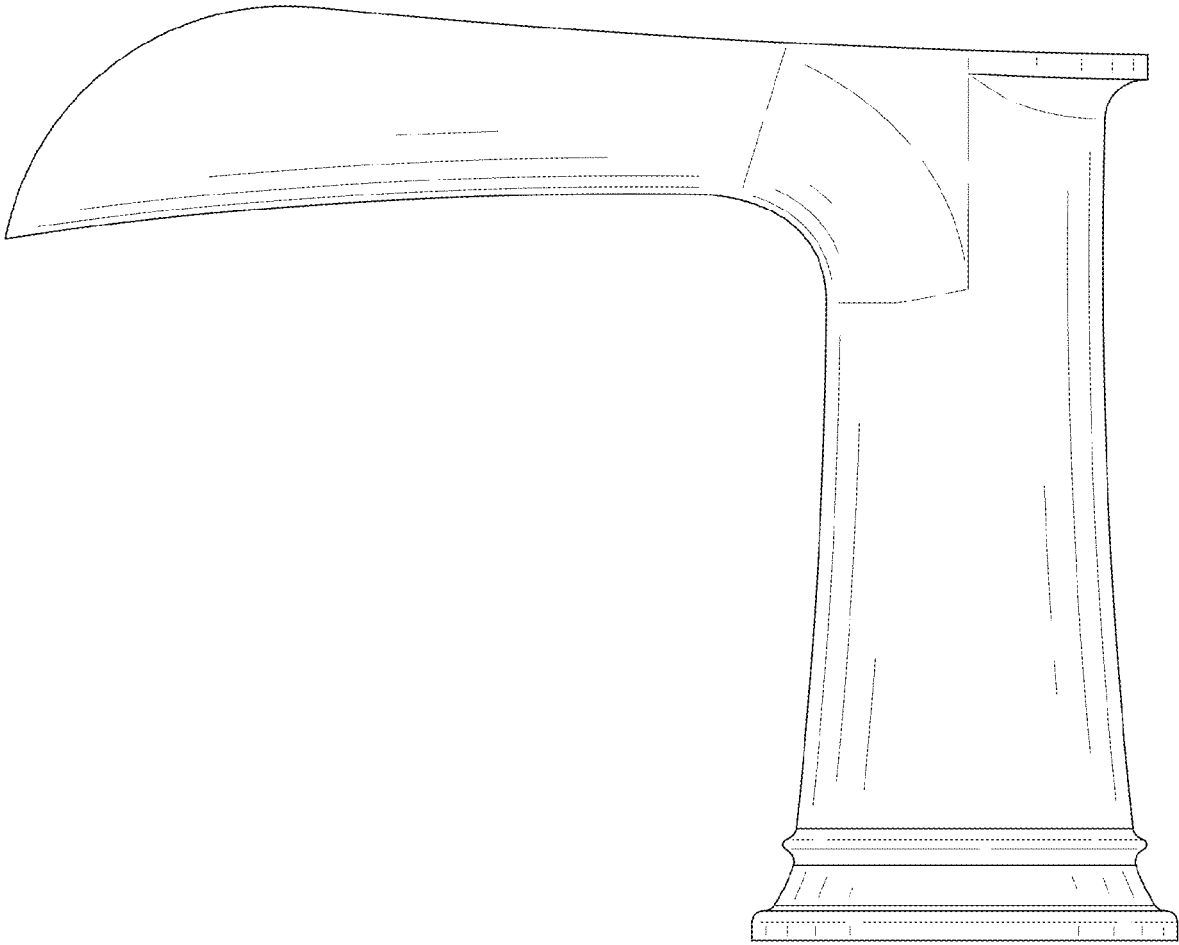


FIG. 14

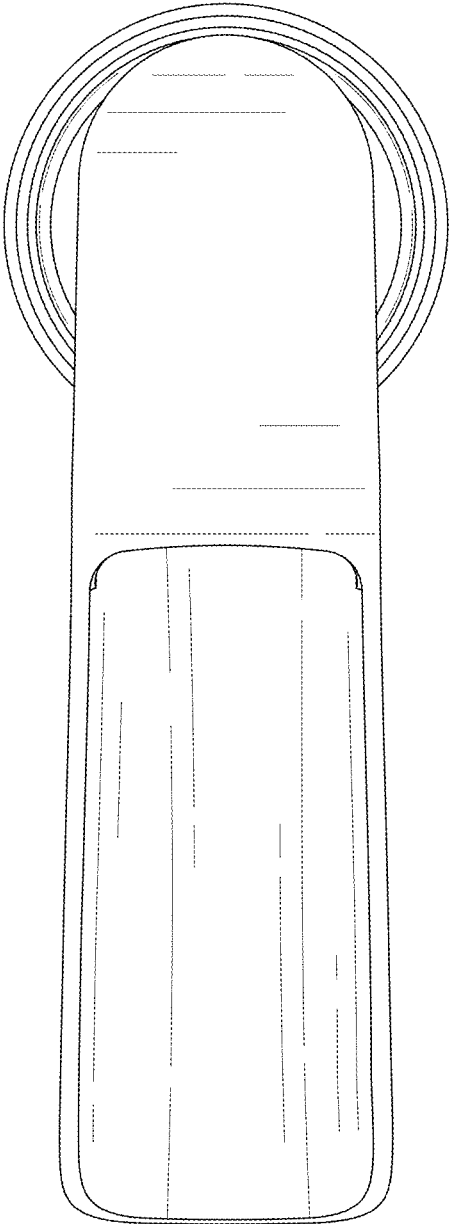


FIG. 15

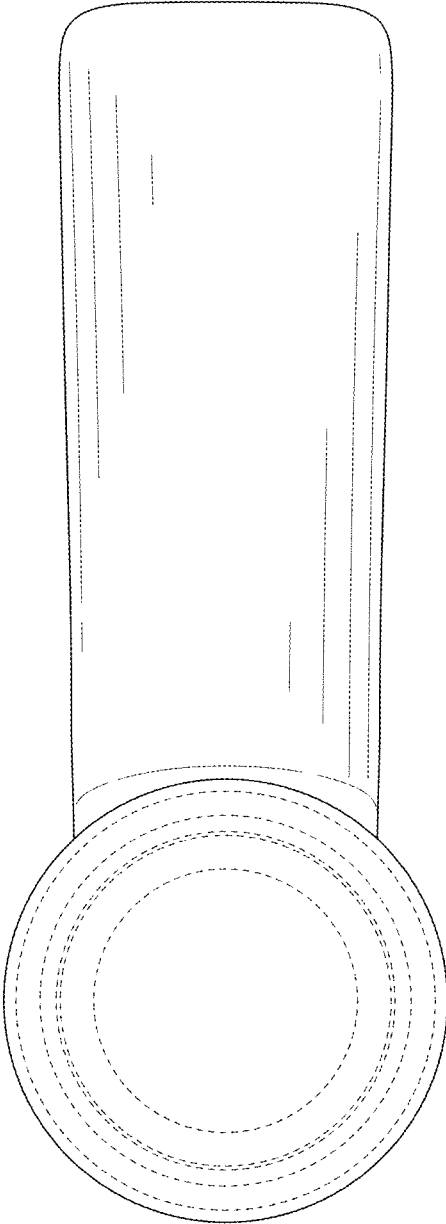


FIG. 16

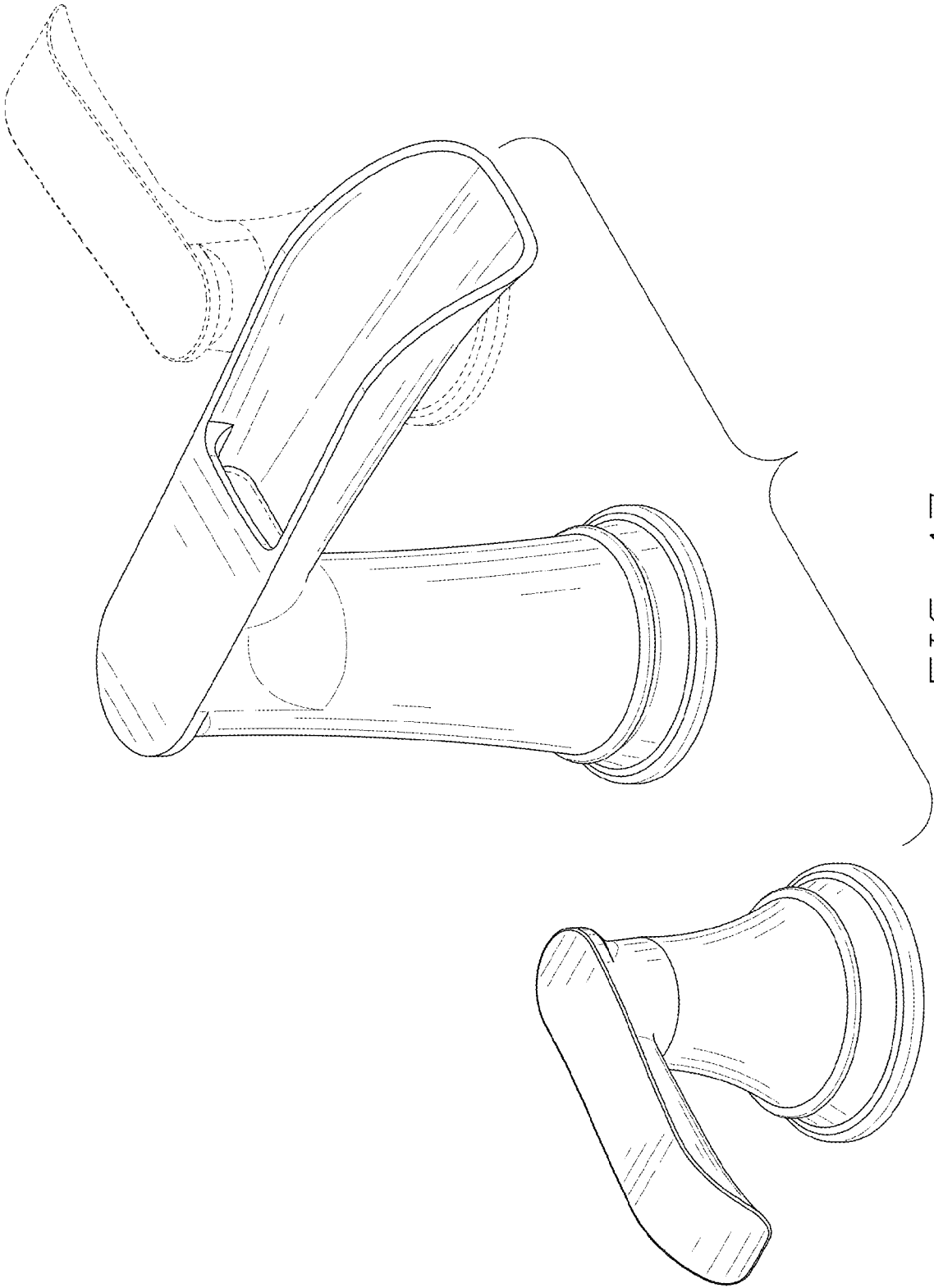


FIG. 17