



US00D999428S

(12) **United States Design Patent**
He

(10) **Patent No.:** **US D999,428 S**

(45) **Date of Patent:** **** Sep. 19, 2023**

(54) **SEARCH LAMP**

(71) Applicant: **Ruipan He**, Guangdong (CN)

(72) Inventor: **Ruipan He**, Guangdong (CN)

(**) Term: **15 Years**

(21) Appl. No.: **29/809,812**

(22) Filed: **Sep. 30, 2021**

(51) **LOC (14) Cl.** **26-05**

(52) **U.S. Cl.**

USPC **D26/63**

(58) **Field of Classification Search**

USPC D26/1, 2, 3, 24, 51, 61, 63, 65, 66, 69,
D26/72, 81, 83, 92, 93, 102, 76, 80, 118;
D23/370, 375, 377, 379, 413

CPC F21S 6/004; F21S 8/00; F21S 8/003; F21S
8/04; F21S 8/026; F21S 8/036; F21S
8/037; F21S 8/038; F21S 8/043; F21S
8/081; F21S 8/083; F21S 8/085; F21S
8/086; F21S 9/03; F21S 9/032; F21S
9/035; F21S 9/037; F21V 14/02; F21V
17/02; F21V 21/00; F21V 21/02; F21V
21/14; F21V 21/26; F21V 21/30; F21W
2111/02; F21W 2111/023; F21W 2131/10;
F21Y 2115/10

See application file for complete search history.

(56) **References Cited**

U.S. PATENT DOCUMENTS

D272,193 S * 1/1984 Sangiamo D26/85
5,313,379 A * 5/1994 Lemons F21V 11/16
362/346
D355,502 S * 2/1995 Liao D26/63
5,730,521 A * 3/1998 Spink F21V 7/04
362/217.1
D440,683 S * 4/2001 Guercio D26/85
D550,387 S * 9/2007 Guercio D26/85

D583,977 S * 12/2008 Guercio D26/85
D643,147 S * 8/2011 Guercio D26/118
D659,280 S * 5/2012 Guercio D26/118
D739,594 S * 9/2015 Adams D26/118
D808,568 S * 1/2018 Chang D26/85
D838,025 S * 1/2019 Yu D26/63
D860,505 S * 9/2019 Liu D26/85
2006/0034080 A1* 2/2006 Tsao F21V 1/08
362/253
2011/0051410 A1* 3/2011 Liang F21V 21/30
362/366
2016/0312989 A1* 10/2016 Tiwary F21V 21/30
2018/0119940 A1* 5/2018 Zhou F21V 31/03

* cited by examiner

Primary Examiner — Angela J Lee

Assistant Examiner — Audris Park

(57) **CLAIM**

The ornamental design for a search lamp, as shown and described.

DESCRIPTION

FIG. 1 is a perspective view of a search lamp showing my new design;

FIG. 2 is a front view thereof;

FIG. 3 is a rear view thereof;

FIG. 4 is a left side view thereof;

FIG. 5 is a right side view thereof;

FIG. 6 is a top view thereof;

FIG. 7 is a bottom view thereof;

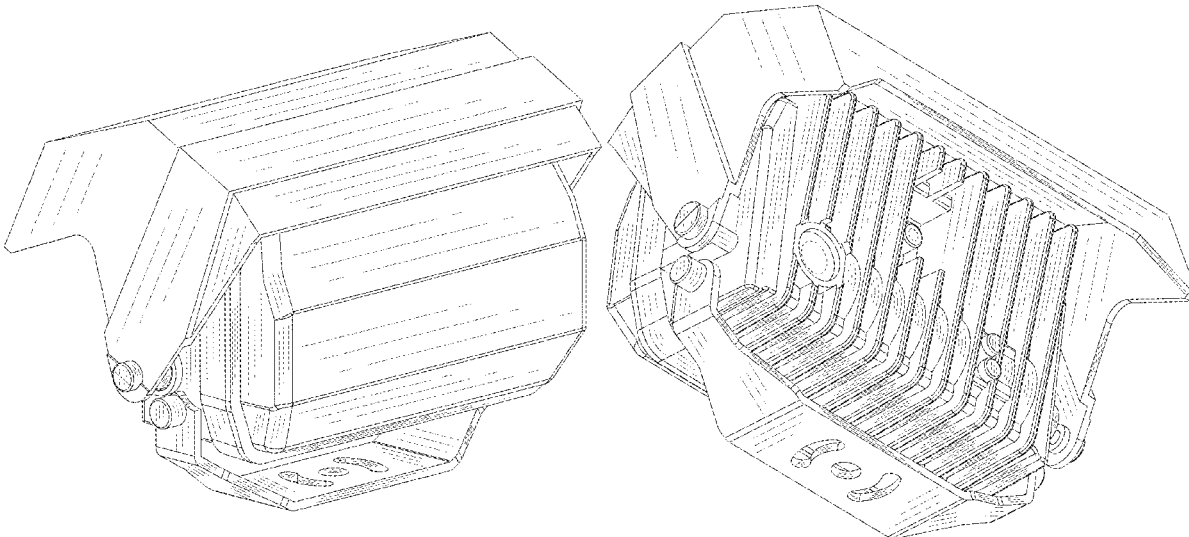
FIG. 8 is a rear side perspective view thereof; and,

FIG. 9 is a perspective view of the search lamp where the lampshade is in a pulled down position.

The shading and cross-hatching are not features of the design but are utilized to illustrate the surface contours of the search lamp design in the drawings.

The broken lines in the drawings depict portions of the search lamp that form no part of the claimed design.

1 Claim, 9 Drawing Sheets



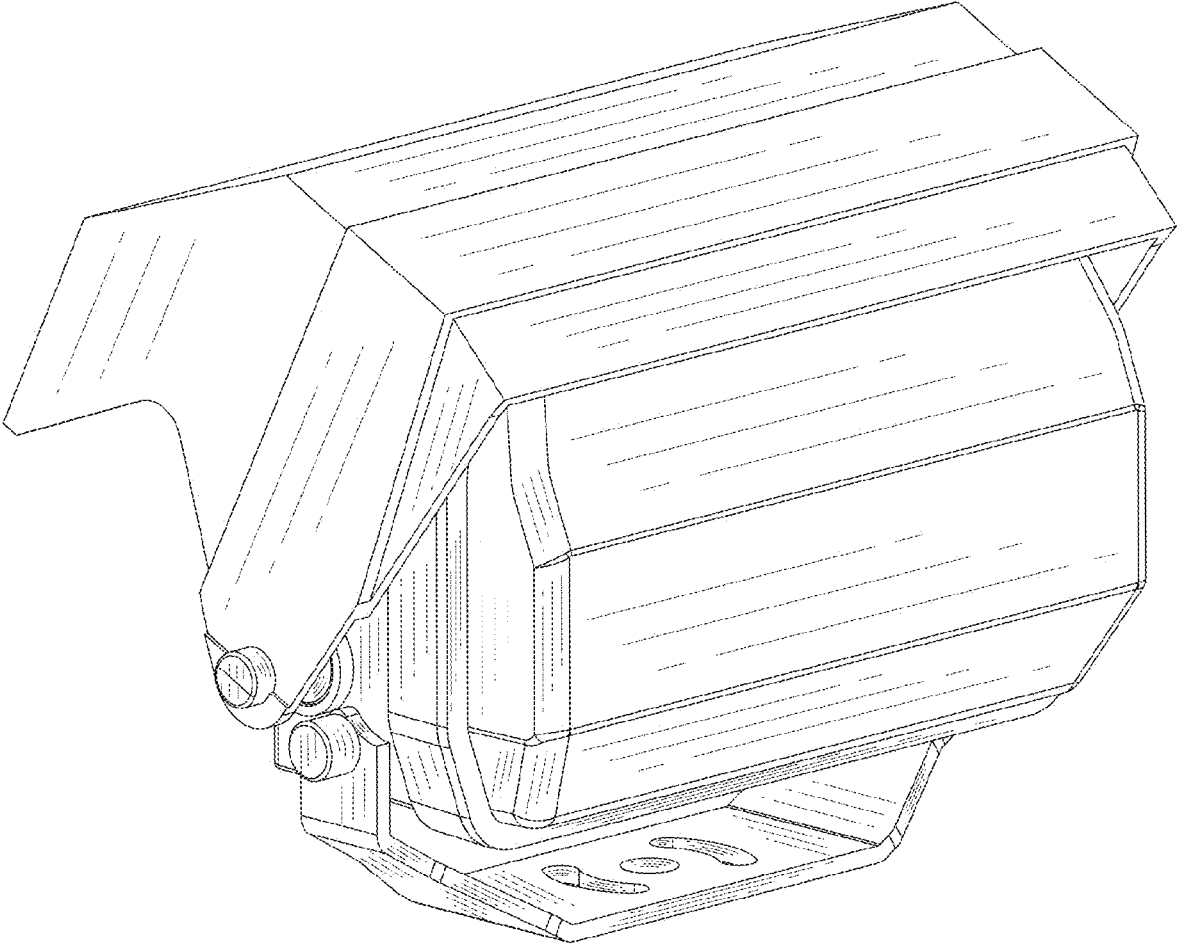


FIG. 1

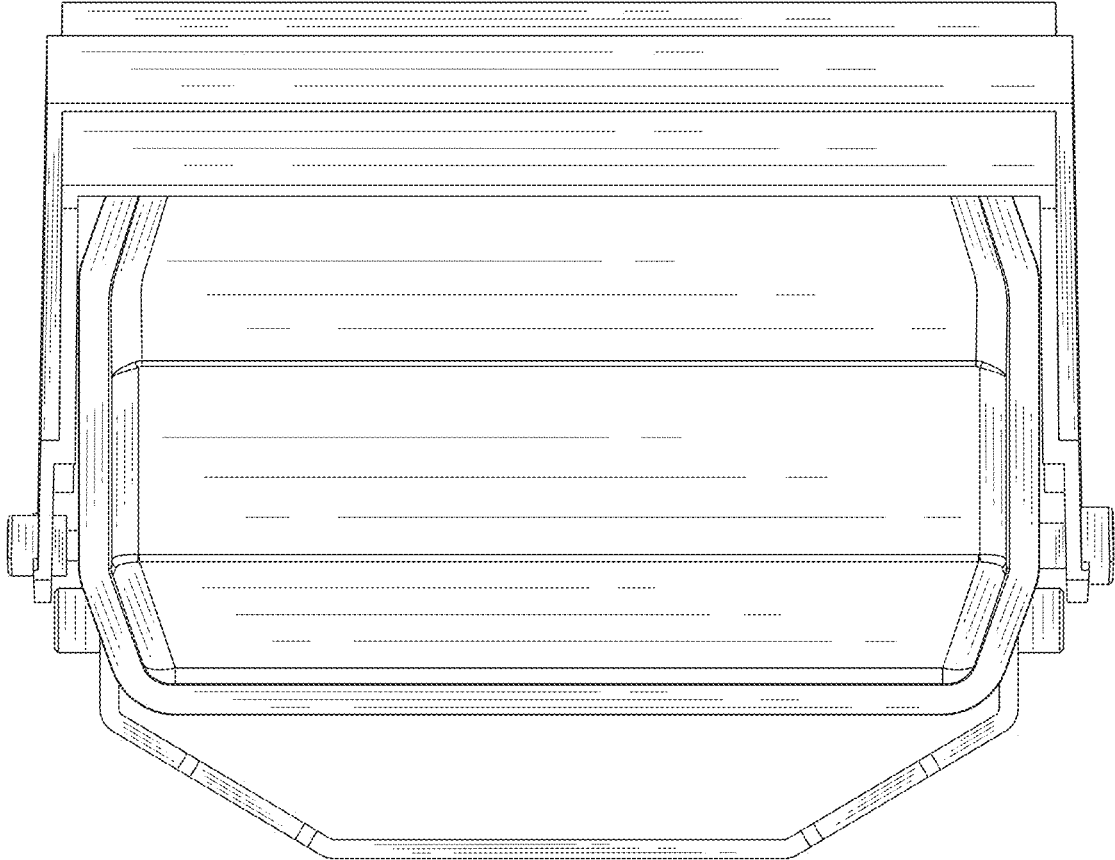


FIG. 2

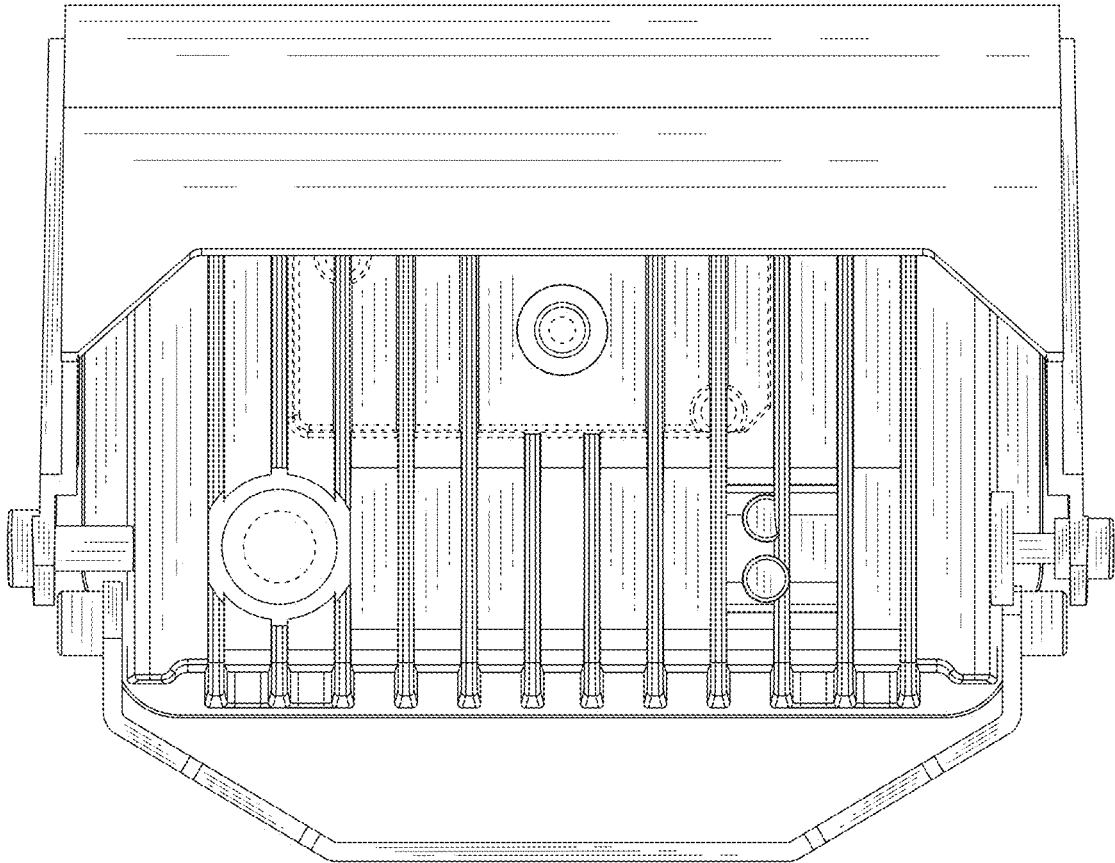


FIG. 3

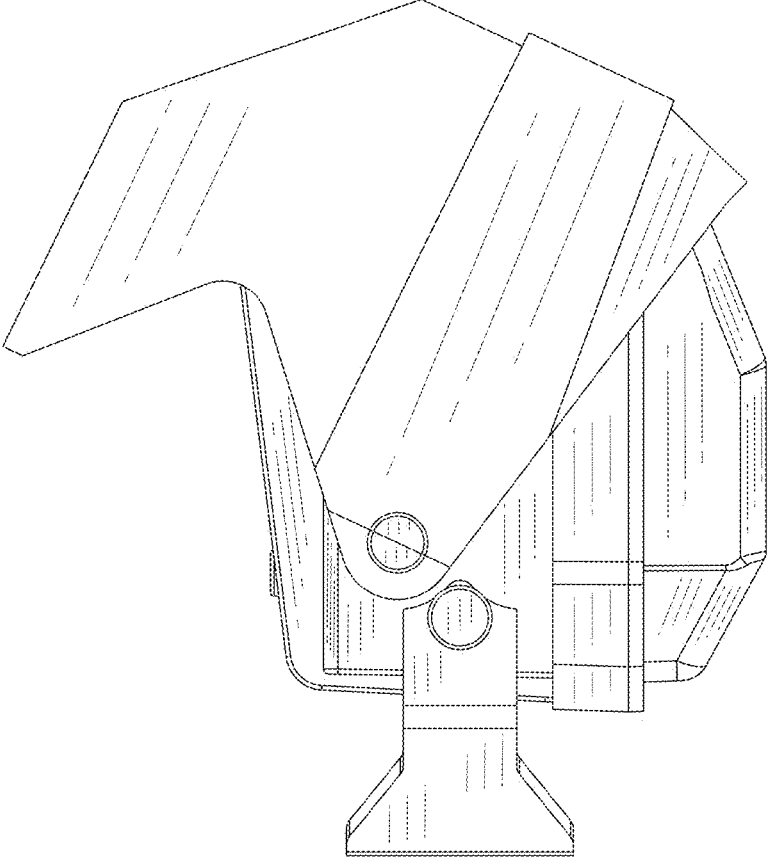


FIG. 4

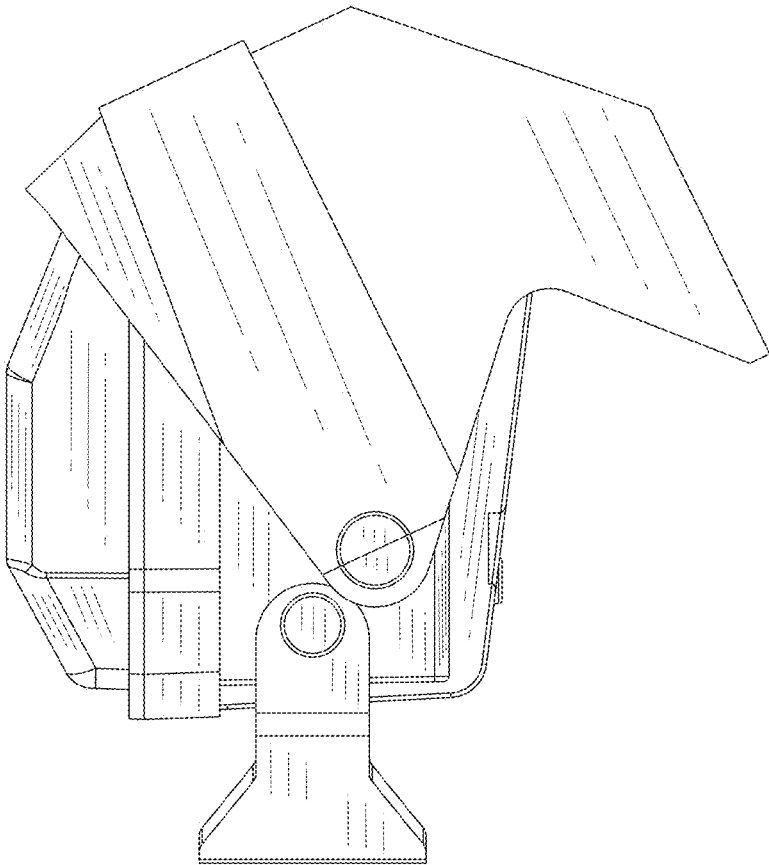


FIG. 5

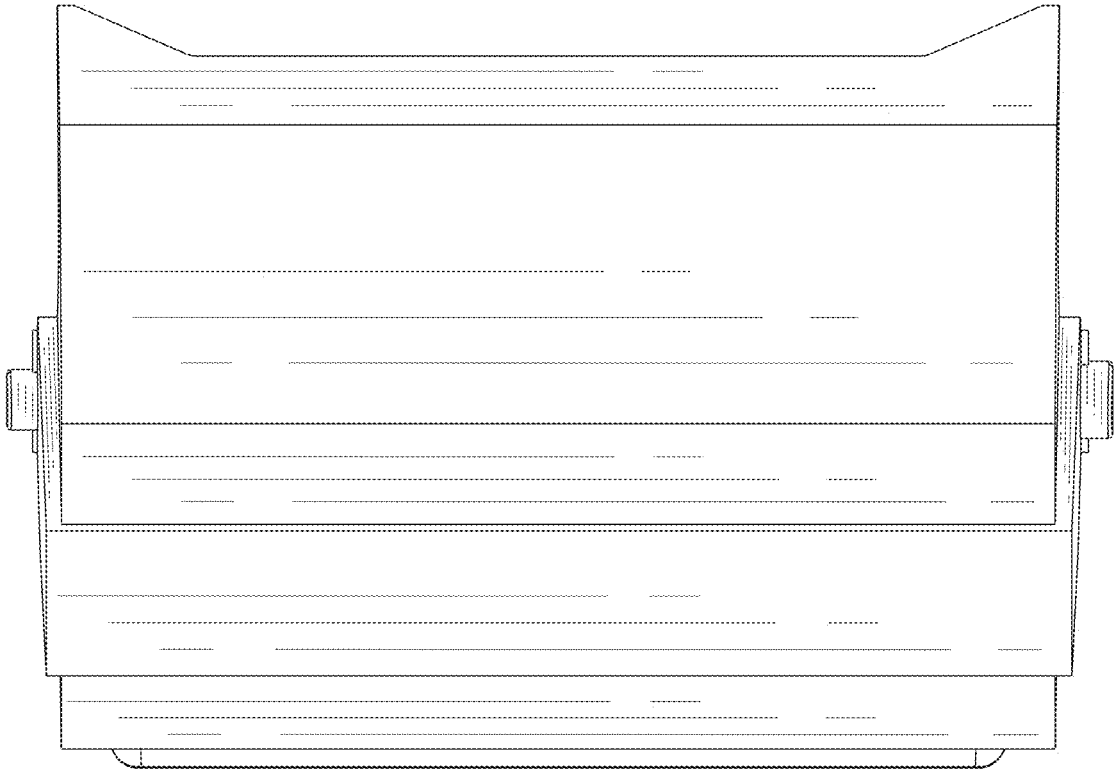


FIG. 6

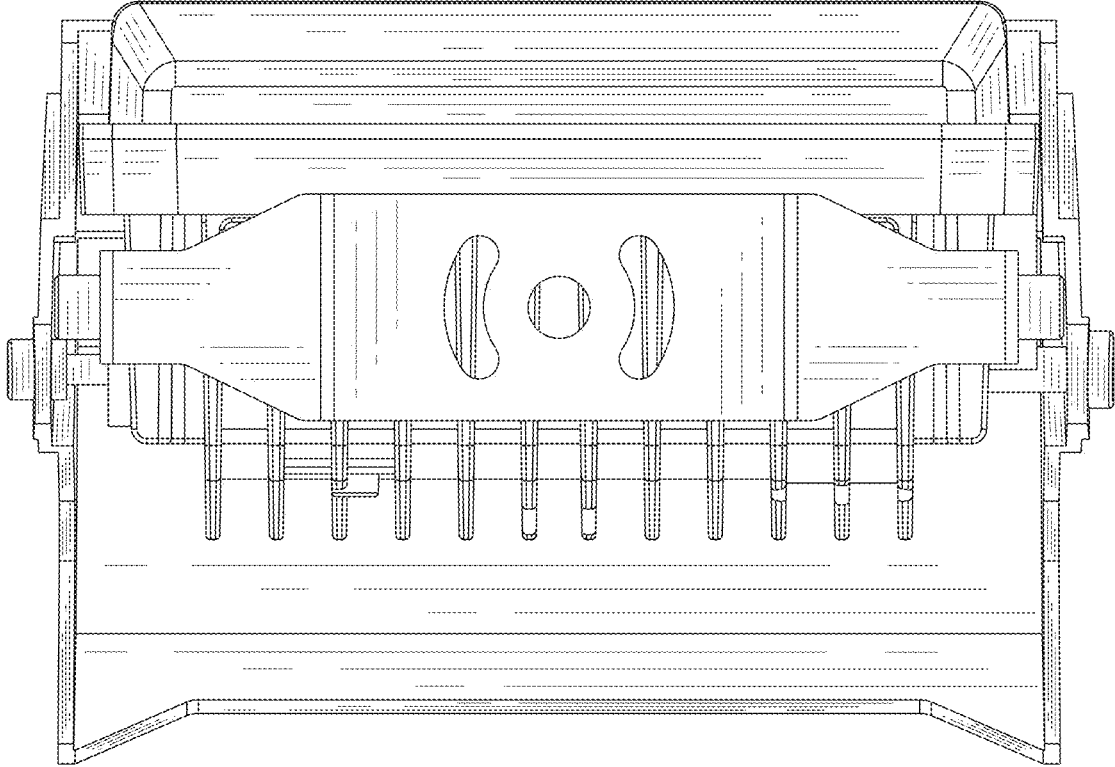


FIG. 7

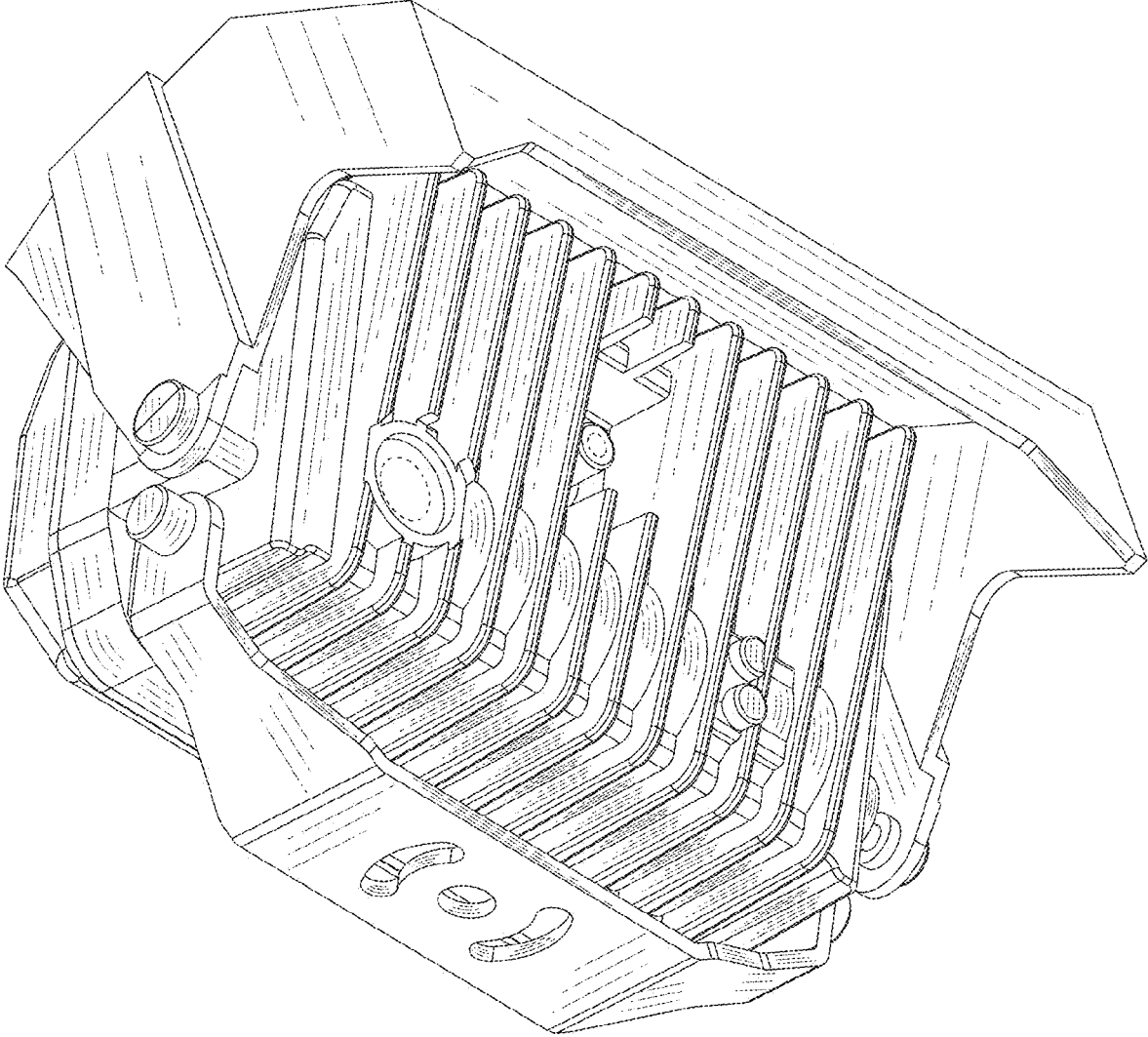


FIG. 8

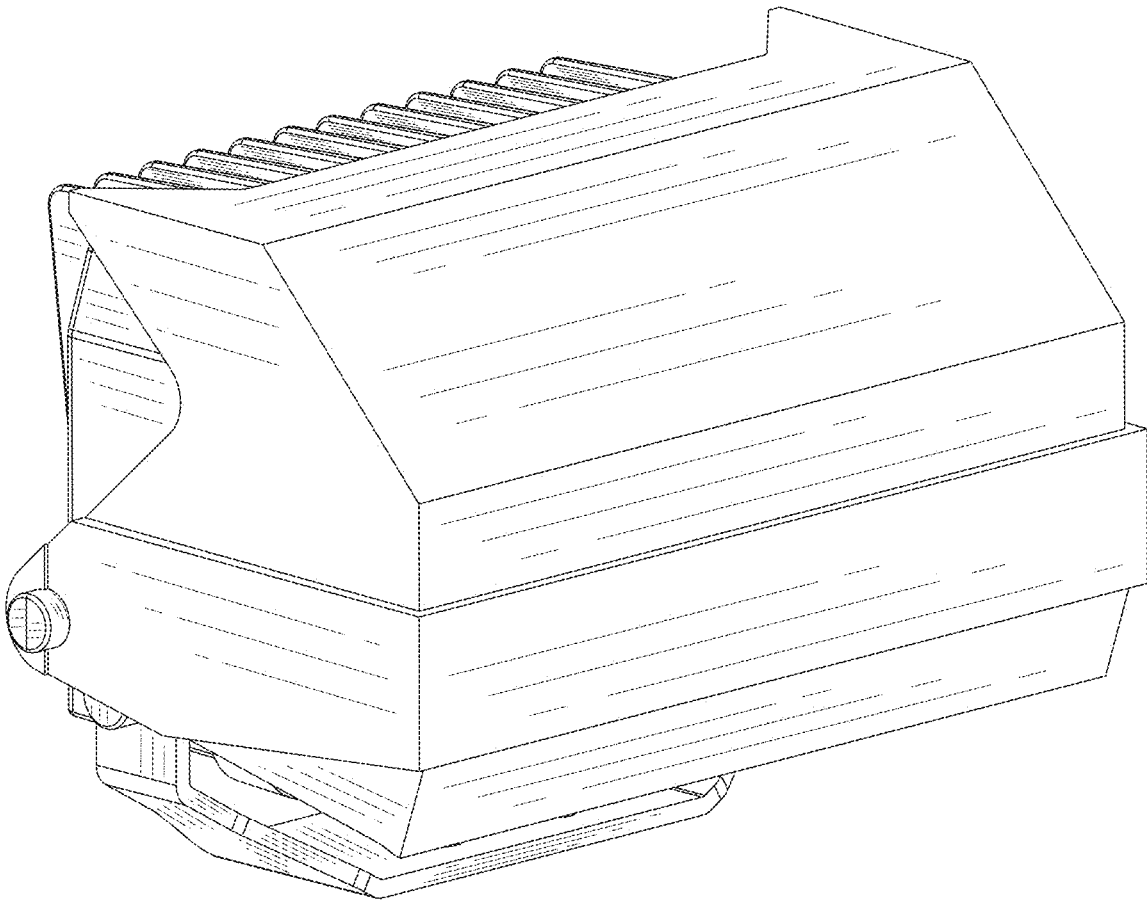


FIG. 9