



US00D760563S

(12) **United States Design Patent**
Randolph et al.

(10) **Patent No.:** **US D760,563 S**

(45) **Date of Patent:** **** Jul. 5, 2016**

- (54) **ROUND POINT BLADE**
- (71) Applicant: **The Ames Companies, Inc.**, Camp Hill, PA (US)
- (72) Inventors: **David Randolph**, State College, PA (US); **James M. Wagner**, Lewistown, PA (US); **Cloyd R. Shawver**, Lewistown, PA (US); **Jeff Koenig**, Mechanicsburg, PA (US)
- (73) Assignee: **The Ames Companies, Inc.**, Camp Hill, PA (US)
- (**) Term: **14 Years**
- (21) Appl. No.: **29/499,367**
- (22) Filed: **Aug. 14, 2014**

D596,470 S	7/2009	Greenly	
D601,867 S	10/2009	Carroll	
D602,751 S *	10/2009	Boies	D8/10
D604,128 S	11/2009	Carroll	
D617,615 S *	6/2010	Randolph	D8/10
D626,389 S *	11/2010	Randolph	D8/10
D628,452 S *	12/2010	Randolph	D8/10
D634,996 S	3/2011	Randolph et al.	
D653,510 S *	2/2012	Huff	D8/10
D665,637 S *	8/2012	Baker	D8/10
D673,017 S *	12/2012	Jusidman-Rubinstein	D8/10
D688,540 S *	8/2013	Sheinberg Frenkel	D8/10
D688,541 S *	8/2013	Frenkel	D8/10
D699,086 S *	2/2014	Christopher	D8/10
D699,527 S *	2/2014	Randolph	D8/10
D699,528 S *	2/2014	Randolph	D8/10
D699,529 S *	2/2014	Randolph	D8/10
8,708,382 B2 *	4/2014	Hernandez	G01V 3/088 294/49
D710,664 S *	8/2014	Licciardello, Jr.	D8/10
D712,219 S *	9/2014	Randolph	D8/10

* cited by examiner

Related U.S. Application Data

- (63) Continuation of application No. 29/455,019, filed on May 16, 2013, now Pat. No. Des. 712,219.
- (51) **LOC (10) Cl.** **08-01**
- (52) **U.S. Cl.**
USPC **D8/10**
- (58) **Field of Classification Search**
USPC D8/1, 10, 107; 294/49, 53.5, 54.5, 51, 294/58, 56, 57, 55.5; 56/400.1
CPC A01B 11/00; A01B 1/02; A01B 1/026; A01B 1/028; A01B 1/04
See application file for complete search history.

Primary Examiner — Sheryl Lane

(74) *Attorney, Agent, or Firm* — Brooks Kushman P.C.

(57) **CLAIM**

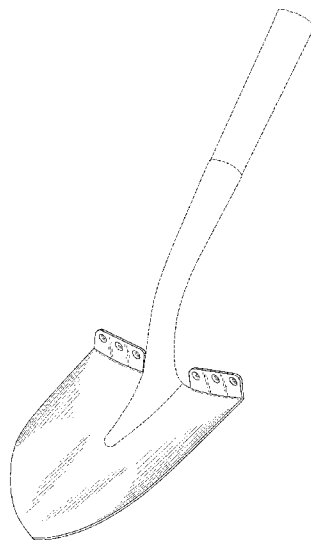
The ornamental design for a round point blade, as shown and described.

DESCRIPTION

FIG. 1 is an isometric view of the round point blade; FIG. 2 is a top view of the round point blade; FIG. 3 is a bottom view of the round point blade; FIG. 4 is a right view of the round point blade; FIG. 5 is a left view of the round point blade; FIG. 6 is a front view of the round point blade; and, FIG. 7 is a back view of the round point blade. The broken lines in the drawings depict environmental subject matter only and form no part of the claimed design.

1 Claim, 6 Drawing Sheets

- (56) **References Cited**
U.S. PATENT DOCUMENTS
D388,292 S 12/1997 Rich et al.
D397,279 S 8/1998 Rich et al.
D534,045 S 12/2006 Fortier



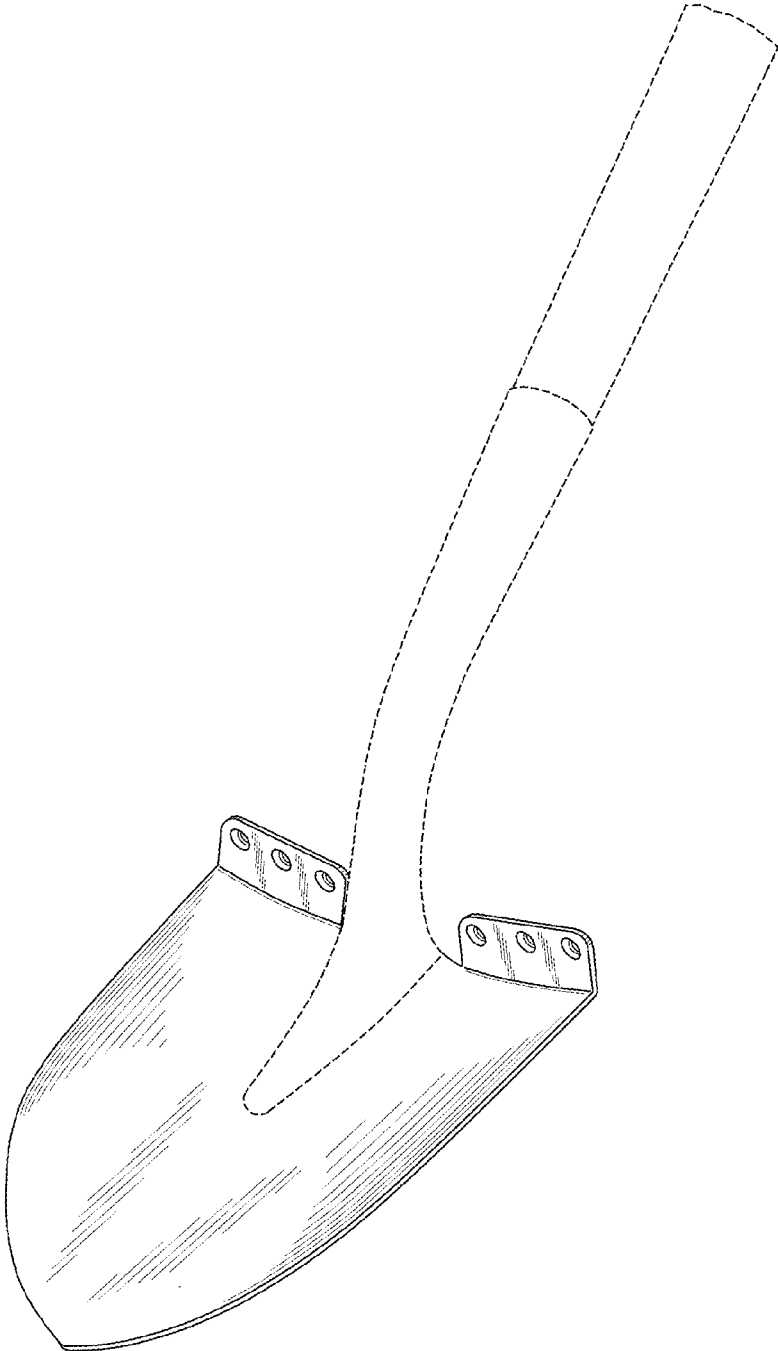


FIG. 1

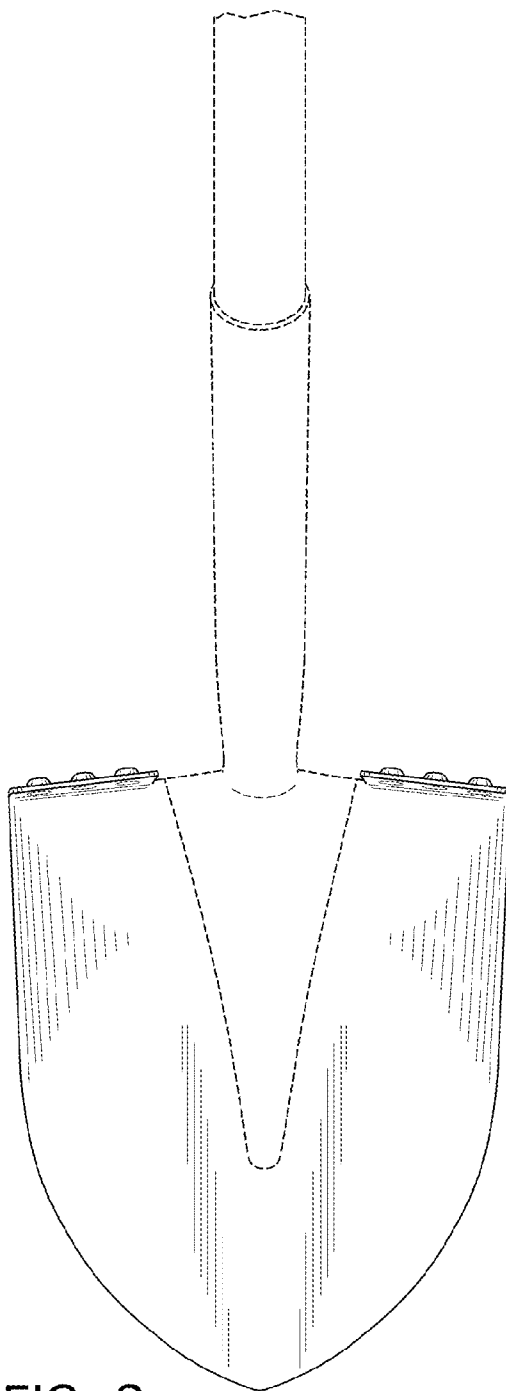


FIG. 2

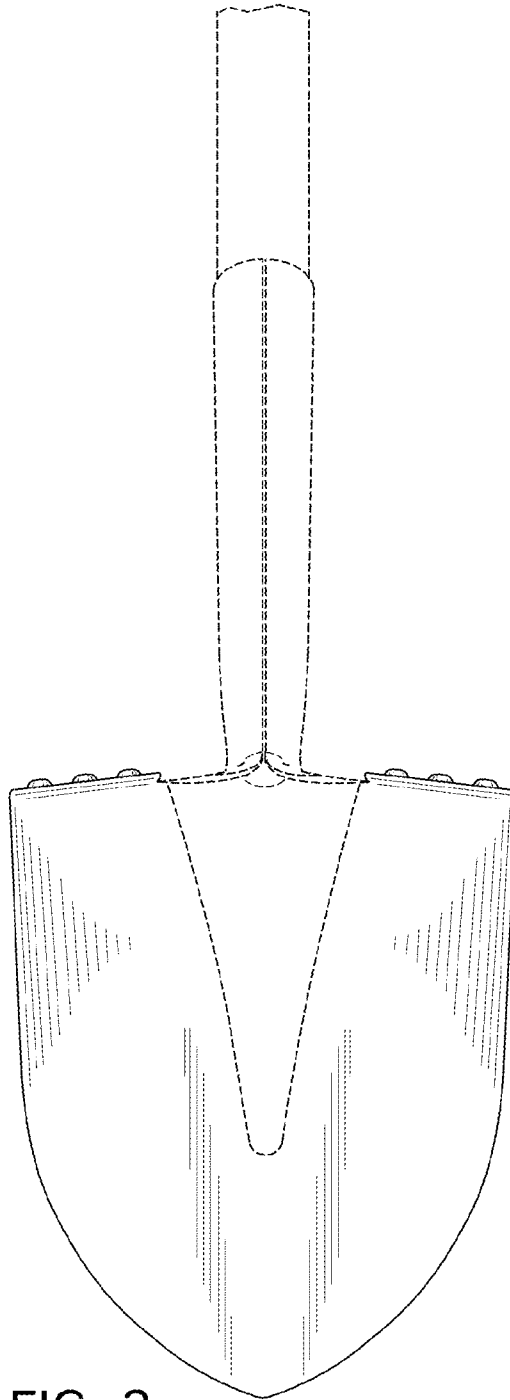
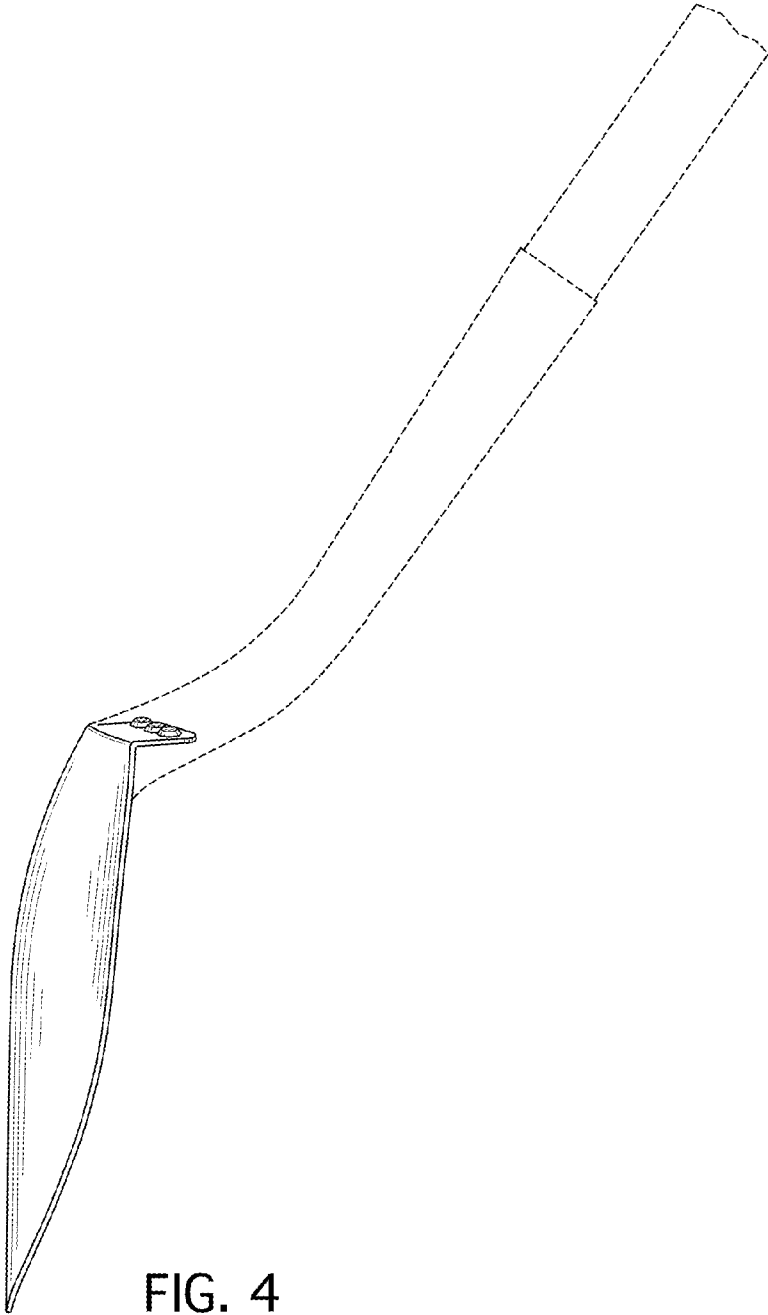


FIG. 3



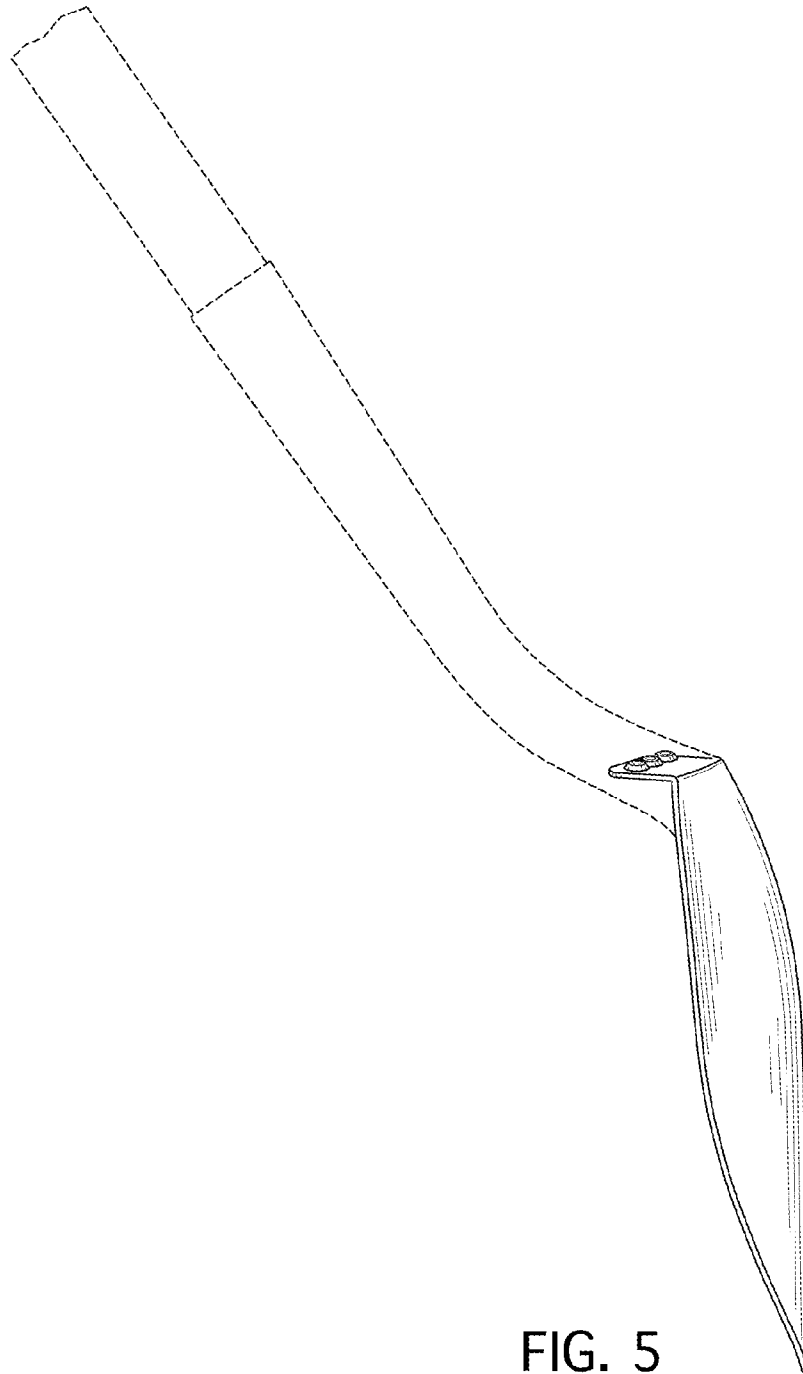


FIG. 5

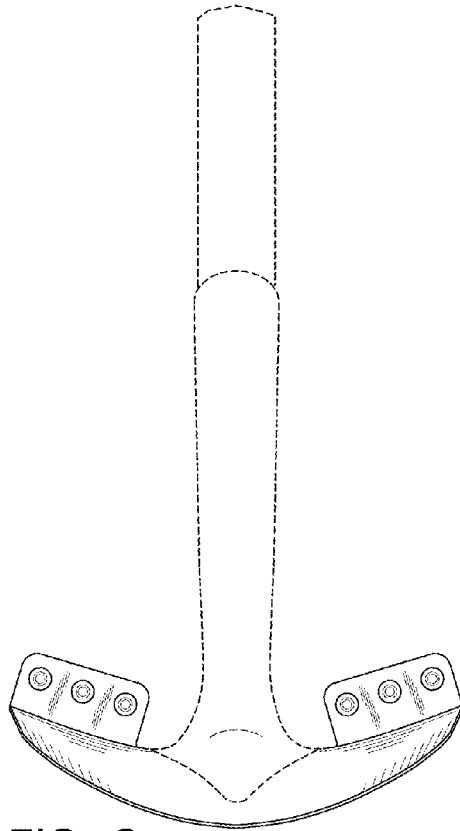


FIG. 6

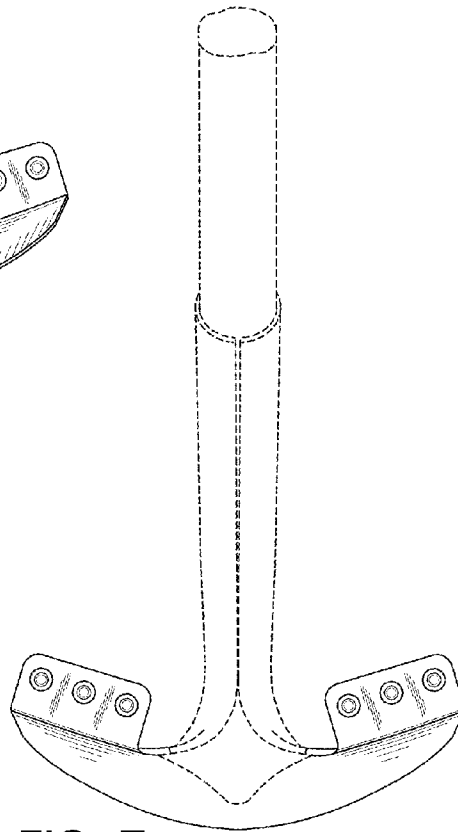


FIG. 7