



US00D799890S

(12) **United States Design Patent**  
**McClory et al.**

(10) **Patent No.:** **US D799,890 S**

(45) **Date of Patent:** **\*\* Oct. 17, 2017**

(54) **BAFFLE FOR FOOD WASTE DISPOSER**

(71) Applicant: **Emerson Electric Co.**, St. Louis, MO (US)

(72) Inventors: **Kevin P. McClory**, Racine, WI (US);  
**Elroy R. Firkus**, Milwaukee, WI (US);  
**Eric Albert Sillies**, Cincinnati, OH (US);  
**Aldo Javier Barreto**, Amelia, OH (US)

(73) Assignee: **Emerson Electric Co.**, St. Louis, MO (US)

(\*\*) Term: **15 Years**

(21) Appl. No.: **29/585,397**

(22) Filed: **Nov. 23, 2016**

(51) **LOC (10) Cl.** ..... **31-00**

(52) **U.S. Cl.**  
USPC ..... **D7/375; D7/376; D7/378; D7/387; D7/412**

(58) **Field of Classification Search**

USPC ..... D7/372, 375-387, 412-413, 602, 629, D7/665-666, 669, 679, 693-694; D23/261; D30/121, 158  
CPC .... A21C 1/02; A21C 1/04; A23N 1/00; A23N 1/02; A47J 43/04; A47J 43/25; A47J 43/27; A47J 43/042; A47J 43/044; A47J 43/046; A47J 43/075; A47J 43/0722; A47J 43/0727; A47J 43/0766; A61J 9/04; B01F 3/00; B01F 3/0807; B01F 3/0853; B01F 13/0059; B01F 13/0064; B01F 15/00006; B02C 1/08; B02C 2/04; B02C 4/42; B02C 4/142; B02C 4/143; B02C 4/423; B02C 13/1835; B02C 23/00; B28C 5/10; B28C 5/12; B28C 5/14; B28C 5/16; E03C 1/2665

See application file for complete search history.

(56) **References Cited**

U.S. PATENT DOCUMENTS

2,980,351	A *	4/1961	Greene	.....	E03C 1/2665
					241/46.015
3,432,108	A *	3/1969	Enright	.....	B02C 23/00
					241/100
3,524,596	A *	8/1970	Smith	.....	E03C 1/2665
					241/46.016
4,818,114	A *	4/1989	Ghavi	.....	A47J 43/27
					215/11.1
D339,429	S *	9/1993	Reid	.....	D30/121
D374,150	S *	10/1996	Lillelund	.....	D7/387
D465,697	S *	11/2002	Renz	.....	D7/376
D539,078	S *	3/2007	Anderson	.....	D7/375
D581,724	S *	12/2008	Pan	.....	D23/261
D599,444	S *	9/2009	Jones	.....	D23/261
8,016,142	B2 *	9/2011	Renz	.....	A61J 9/04
					215/11.1
D665,953	S *	8/2012	Leary	.....	A01K 13/001
					D30/158
8,408,418	B2 *	4/2013	Kuzelka	.....	B01F 15/00006
					220/600

\* cited by examiner

*Primary Examiner* — Ricky Pham

(74) *Attorney, Agent, or Firm* — Harness, Dickey & Pierce, P.L.C.

(57)

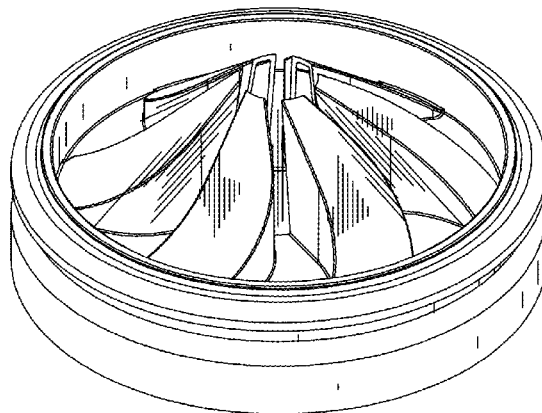
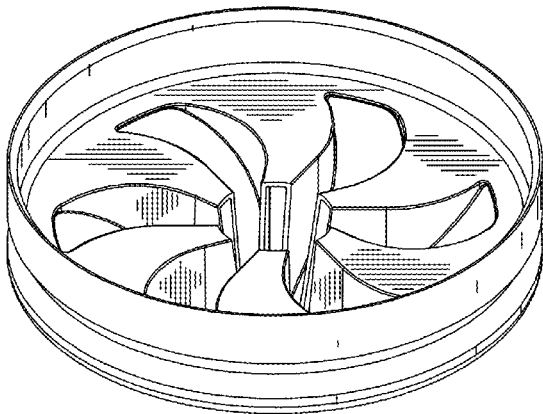
**CLAIM**

The ornamental design for a baffle for food waste disposer, as shown and described.

**DESCRIPTION**

FIG. 1 is a top perspective view;  
FIG. 2 is a bottom perspective view;  
FIG. 3 is a top view;  
FIG. 4 is a bottom view;  
FIG. 5 is a left side view;  
FIG. 6 is a right side view;  
FIG. 7 is a front side view; and,  
FIG. 8 is a rear side view.

**1 Claim, 4 Drawing Sheets**



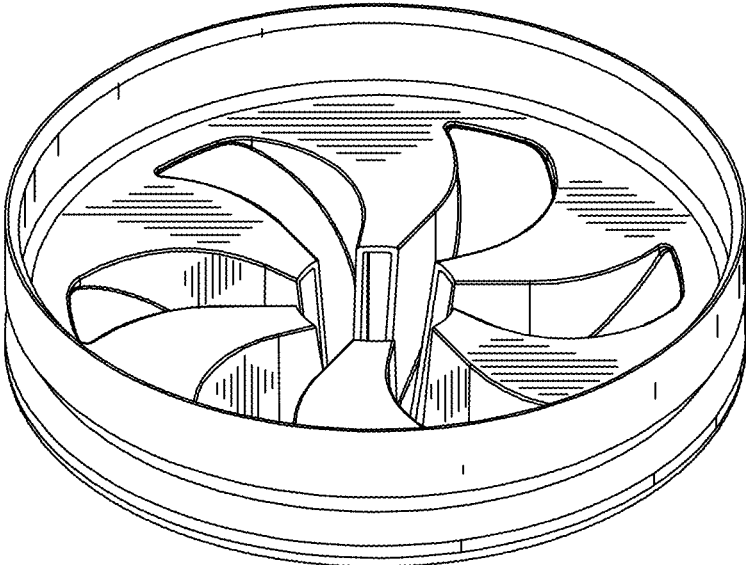


FIG 1

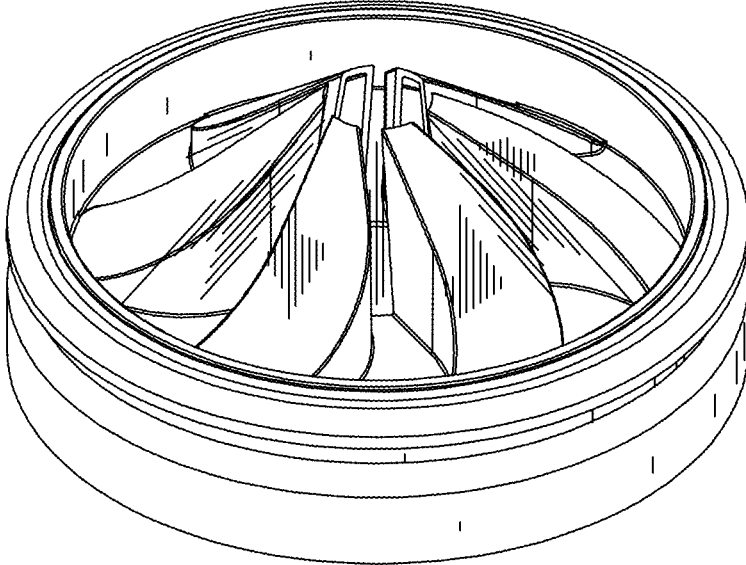


FIG 2

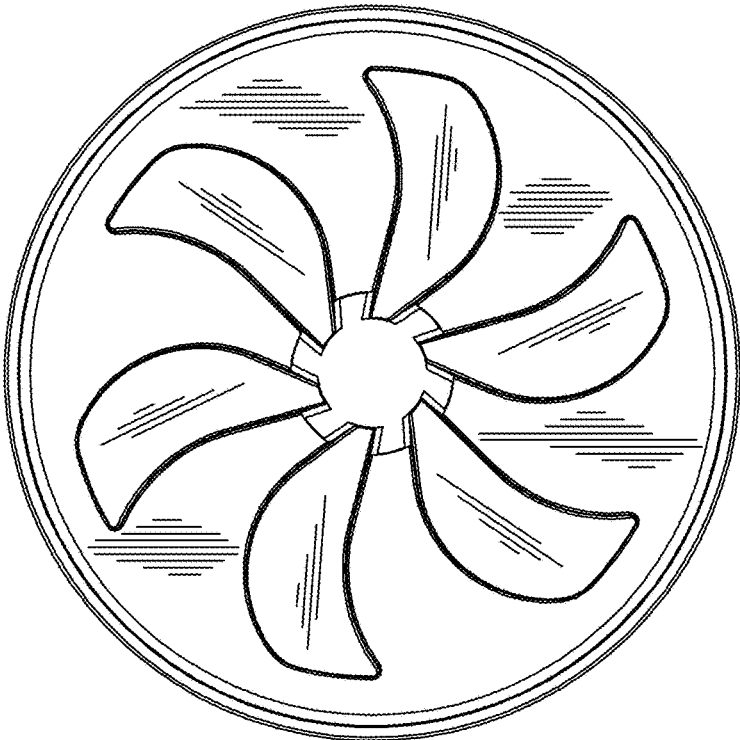


FIG 3

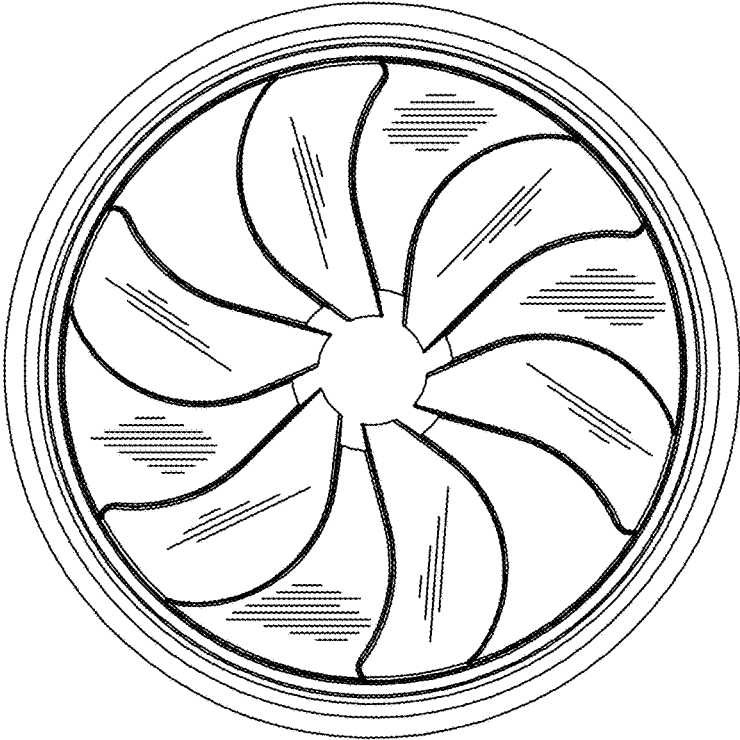


FIG 4

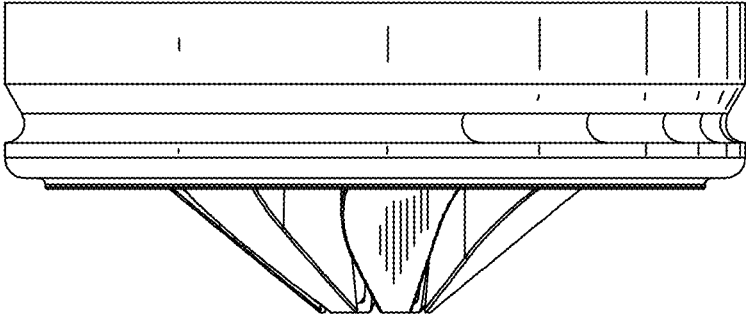


FIG 5

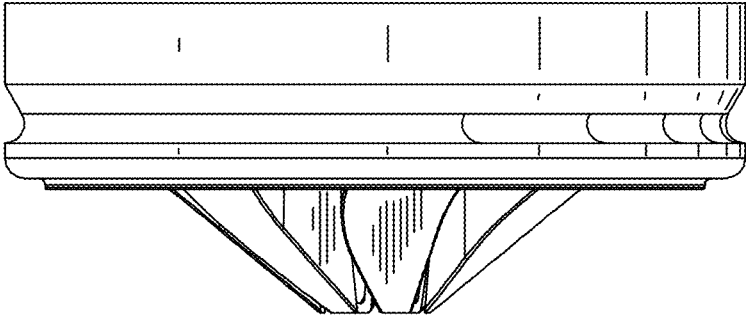


FIG 6

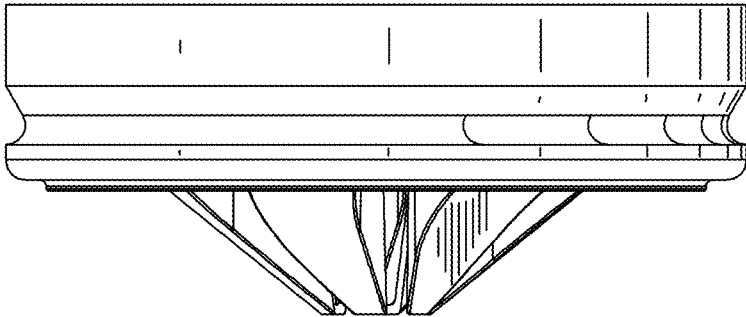


FIG 7

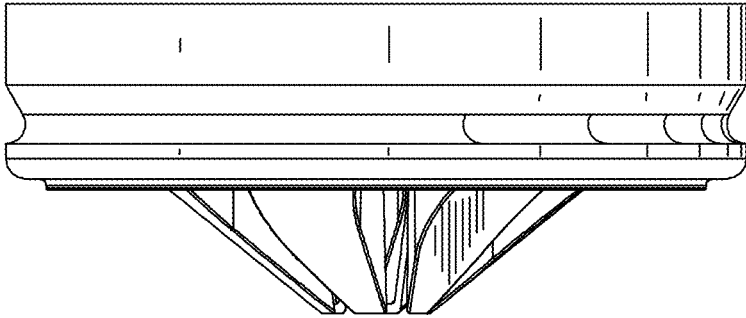


FIG 8