

CORRECTED VERSION

(19) World Intellectual Property Organization  
International Bureau



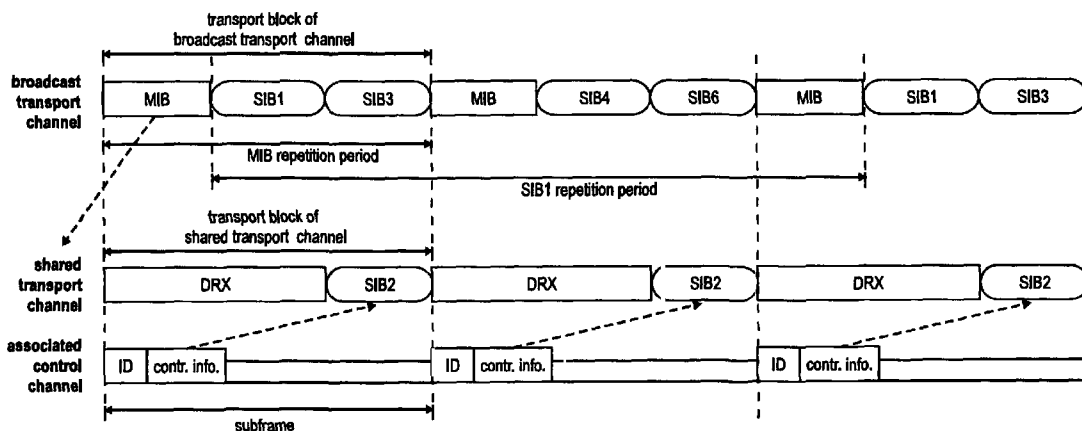
(43) International Publication Date  
21 June 2007 (21.06.2007)

PCT

(10) International Publication Number  
WO 2007/068304 A1

- (51) **International Patent Classification:**  
H04Q 7/38 (2006.01)
  - (21) **International Application Number:**  
PCT/EP2006/010153
  - (22) **International Filing Date:** 20 October 2006 (20.10.2006)
  - (25) **Filing Language:** English
  - (26) **Publication Language:** English
  - (30) **Priority Data:**  
05027214.5 13 December 2005 (13.12.2005) EP
  - (71) **Applicant (for all designated States except US):** MAT-SUSHITA ELECTRIC INDUSTRIAL CO., LTD. [JP/JP]; 1006, Oaza Kadoma, Kadoma-shi, Osaka 571-8501 (JP).
  - (72) **Inventors; and**
  - (75) **Inventors/Applicants (for US only):** PETROVIC, Dragan [YU/DE]; Panasonic R & D Center Germany GmbH, Monzastrasse 4C, 63225 Langen (DE). AOYAMA, Takahisa [JP/JP]; Matsushita Electric Industrial Co., Ltd. -IPROC, Matsushita Imp Bldg. 19th FL, 1-3-7 Shiromi, Chuo-ku, Osaka (JP). SUZUKI, Hidetoshi [JP/JP]; Matsushita Electric Industrial Co., Ltd - IPROC, Matsushita Imp Bldg. 19th FL, 1-3-7 Shiromi, Chuo-ku, Osaka (JP).
  - (74) **Agent:** KUHL, Dietmar; Grunecker, Kinkeldey, Stockmair & Schwanhausser, Maximilianstrasse 58, 80538 Munchen (DE).
  - (81) **Designated States (unless otherwise indicated, for every kind of national protection available):** AE, AG, AL, AM, AT, AU, AZ, BA, BB, BG, BR, BW, BY, BZ, CA, CH, CN, CO, CR, CU, CZ, DE, DK, DM, DZ, EC, EE, EG, ES, FI, GB, GD, GE, GH, GM, GT, HN, HR, HU, ID, IL, IN, IS, JP, KE, KG, KM, KN, KP, KR, KZ, LA, LC, LK, LR, LS, LT, LU, LV, LY, MA, MD, MG, MK, MN, MW, MX, MY, MZ, NA, NG, NI, NO, NZ, OM, PG, PH, PL, PT, RO, RS, RU, SC, SD, SE, SG, SK, SL, SM, SV, SY, TJ, TM, TN, TR, TT, TZ, UA, UG, US, UZ, VC, VN, ZA, ZM, ZW
  - (84) **Designated States (unless otherwise indicated, for every kind of regional protection available):** ARIPO (BW, GH, GM, KE, LS, MW, MZ, NA, SD, SL, SZ, TZ, UG, ZM, ZW), Eurasian (AM, AZ, BY, KG, KZ, MD, RU, TJ, TM), European (AT, BE, BG, CH, CY, CZ, DE, DK, EE, ES, FI, FR, GB, GR, HU, IE, IS, IT, LT, LU, LV, MC, NL, PL, PT, RO, SE, SI, SK, TR), OAPI (BF, BJ, CF, CG, CI, CM, GA, GN, GQ, GW, ML, MR, NE, SN, TD, TG).
- Published:**  
— with international search report
- (48) **Date of publication of this corrected version:**  
4 December 2008
  - (15) **Information about Correction:**  
see Notice of 4 December 2008

(54) **Title:** MAPPING OF BROADCAST SYSTEM INFORMATION TO TRANSPORT CHANNELS IN A MOBILE COMMUNICATION SYSTEM



(57) **Abstract:** The present invention relates to a method and transmission apparatus for transmitting broadcast system information in a mobile communication system. Further, the invention relates to a method and mobile terminal receiving the broadcast system information. To provide an improved method for broadcasting broadcast system information the invention suggests mapping different partitions of broadcast system information to a shared transport channel or a broadcast transport channel for transmission. The mapping may take into account parameters inherent to the mobile terminals to which the broadcast system information is to be transmitted and/or parameters inherent to the different partitions of broadcast system information.

WO 2007/068304 A1